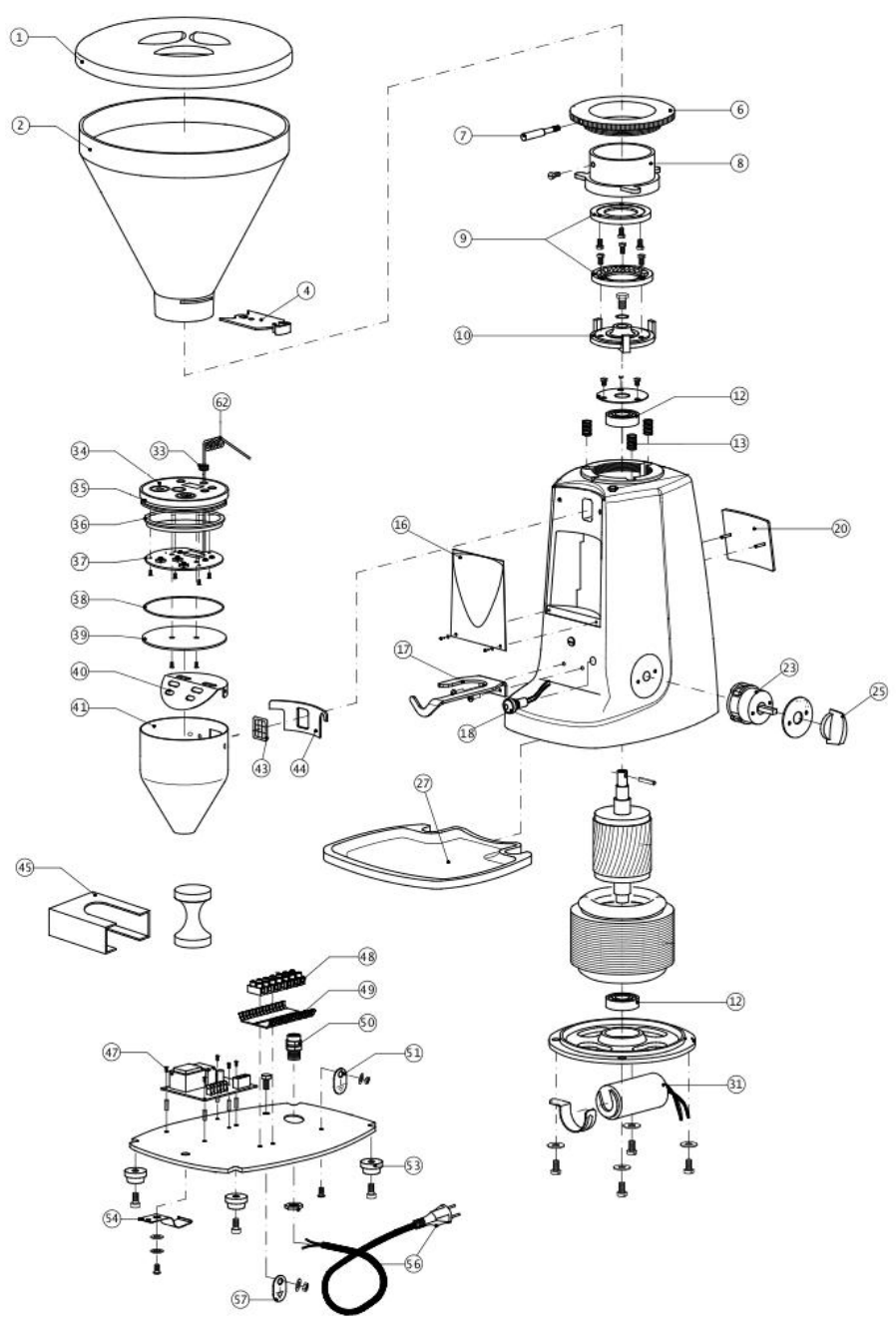


EXPLODED VIEW

SUPER JOLLY ELETTRONICO





<u>Position</u>	<u>Description</u>	<u>Part Number</u>
1	Hopper Cover	M28053
2	Mazzer Hopper with Collar (no lid)	M28351
4	Hopper Locking slide	M28326010/VT
6	Supper Jolly, Grinding Adjusting Disk	M28157
7	Grinding Adjustment Disk Handle	M28360012
8	Upper Burr Holder, Super Jolly	M28360011
9	Super Jolly Burrs	M28213
10	Super Jolly/Mini 'E' Lower Burr Holder	M28253
12	Bearing, 6202	M28057
13	Grinding Adjustment Spring	M28233
16	Motor cover, Super Jolly 'E'	M28500/SJ
17	Fork for Portafilter, Mini 'E'	M28850
18	Pilot Light, 110V UL, Red	M28258006
20	Mazzer 4M Back Plate. Mini, SJ, K, M, R	M28535
23	Two Pole Rotative Switch, On/Off	M28161
25	Knob for M28161 & M28166 Switches	M28166/K
27	Drip Tray, Major/Super Jolly/Kony	TRAY/SM
31	Capacitor, 30 uF	M19056
31	Capacitor 40 uF	M19057
33	Cable Locking 40-80-20 Black	M28600
34	Push Button Holder Lid + Adhesive Membrane	M28610
35	Push Button Holder Lid with Display	M28620
36	Gasket for Push Button Holder Lid	M28630
37	Card for Push Button, with Display	M28640
38	O - Ring NBR70	M28680
39	Bottom for Push Button Lid	M28650
40	Coffee Outlet Guard	M28250
41	Funnel, Super Jolly 'E'	M28660/SJ
43	Grid / Screen Robur/ Kony/Super Jolly / Kold Electronic	M28670
44	Gasket Aer-Stop	M28400004
45	Tamper Holder	M28860
47	Board for double Timer (R, M, K, K, Mini-A Current)	M28700
50	Mazzer Power Cable	M30020
51	Ground Plate	M28902
53	Mazzer Foot	M28258
53	Long Screw for Mazzer Foot (back feet)	M28258/SCL
53	Short Screw for Mazzer Foot	M28258/SCS
54	Grounds Tray Clip, SJ, K, K M, R Mini	M28259
56	Mazzer Power Cable	M30022
57	External Unipotential Clamp, Plate	M28905
62	Wire for Push Button Display	M28640/WIRE