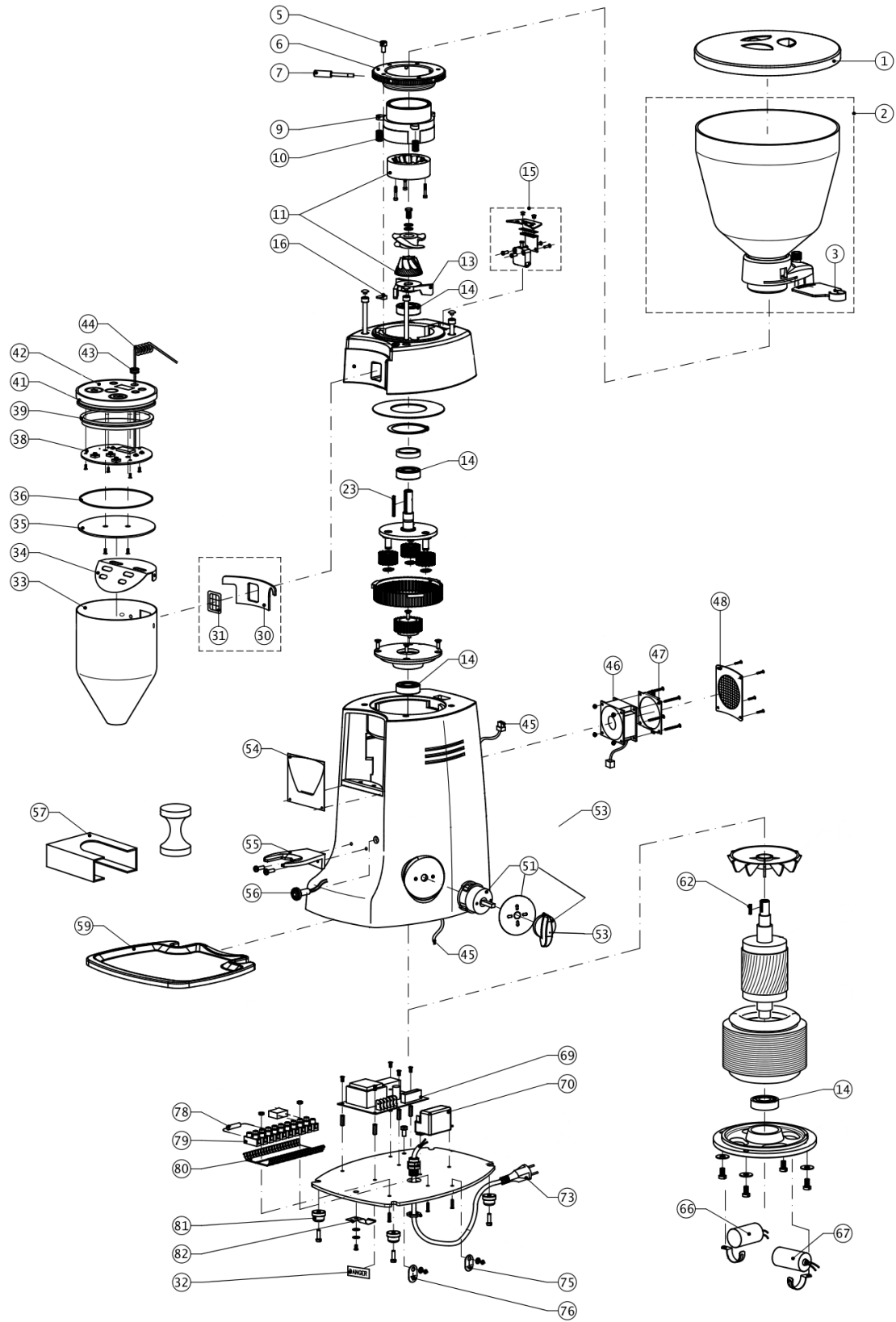


KONY ELECTRONIC
EXPLODED VIEW





Position	Description	Part Number
1	Mazzer Hopper Lid	M28053
2	Kony Hopper, with Collar (no lid)	M28351003
3	Locking Hopper Slide	M38326010
5	Adjustment Collar Bolt	M28360015
6	Kony Coffee Grinding Adjustment Disk	M28159
7	Grinding Adjustment Disk Handle	M28360012
9	UPPER BURR HOLDER, KONY	M28360030/K
10	Grinding Adjustment Spring	M28233
11	Conical Grinding Burrs, 191C Kony	M282191
13	Lower Burr Holder, Kony	M28253/K
14	Bearing, 6202	M28057
15	Hopper Safety Switch	M28241
16	Lock Nut for Grinding Adjustment Disk	M28360019
23	3 x 3 x 30 Key	M28254
30	Gasket Aer-Stop	M28400004
31	Grid / Screen Robur/ Kony/Super Jolly / Kold Electronic	M28670
33	Funnel, Kony 'E'	M28660/K
34	Coffee Outlet Guard	M28250
35	Bottom for Push Button Lid	M28650
36	O - Ring NBR70	M28680
38	Card for Push Button, with Display	M28640
39	Gasket for Push Button Holder Lid	M28630
41	Push Button Holder Lid with Adhesive Display	M28620
42	Push Button Holder Lid + Adhesive Membrane	M28610
43	Cable Locking 40-80-20 Black	M28600
44	Wire for Push Button Display	M28640/WIRE
45	Connection Cable for Fan	M28540
46	Fan 60 X 60 Wired	M28510/M
47	Frame for 60 X 60 Fan	M28520/M
48	Filter /Screen for 60 X 60 Fan	M28530/M
51	Two Pole Rotative Switch, On/Off	M28161
53	Knob for M28161 & M28166 Switches	M28166/K
54	Motor Cover for Kony 'E'	M28500/K
55	Fork for Electronic Robur/Kony	M28122/RE
56	Pilot Light, 110V UL, Red	M28258006
57	Tamper Holder	M28860
59	Small mazzer Drip Tray, M / SJ / K / KOLD	TRAY/SM
62	4 X 4 X 14 Key	M28255
66	Capacitor, 30 uF	M19056
67	Capacitor 40 uF	M19057
69	Board for double Timer (R, M, K, K, Mini-A Current)	M28700
70	Relay, Kony Electronic	M28347
73	Mazzer Power Cable	M30022
75	Ground Plate	M28902

76	External Unipotential Clamp, Plate	M28905
78	Load Resistor 68 Kilo-Ohm 2 Watt	M28710
79	Terminal Blocks	M28903
80	Under Terminal Blocks	M28904
81	Mazzer Foot	M28258
82	Mazzer Grounds Tray Clip	M28259