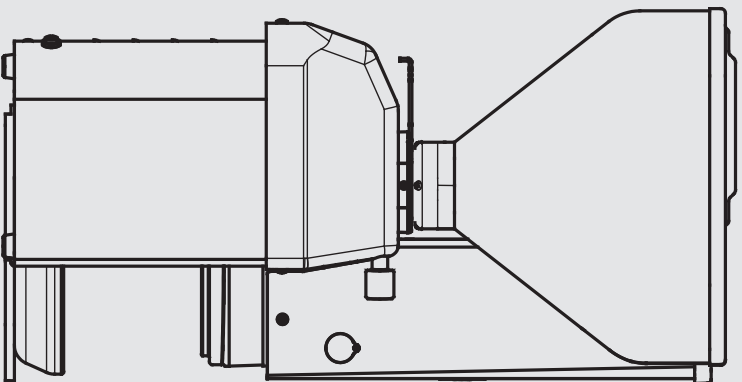


parts catalog swift eps_h



la marzocco
handmade in florence





la marzocco
handmade in florence

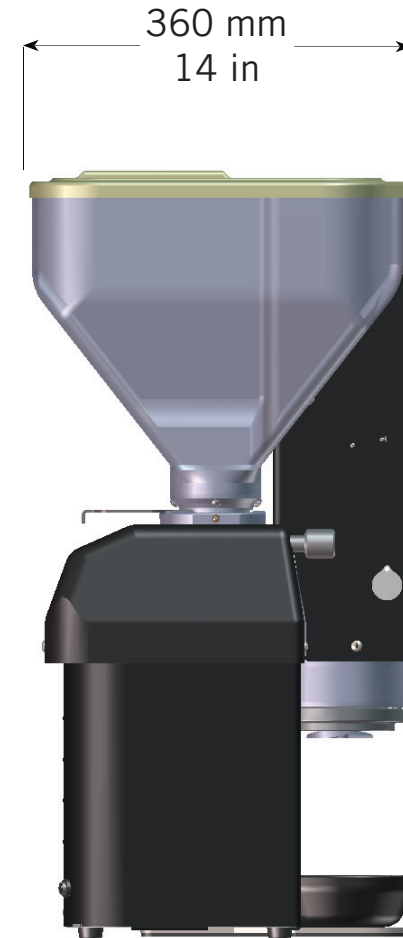
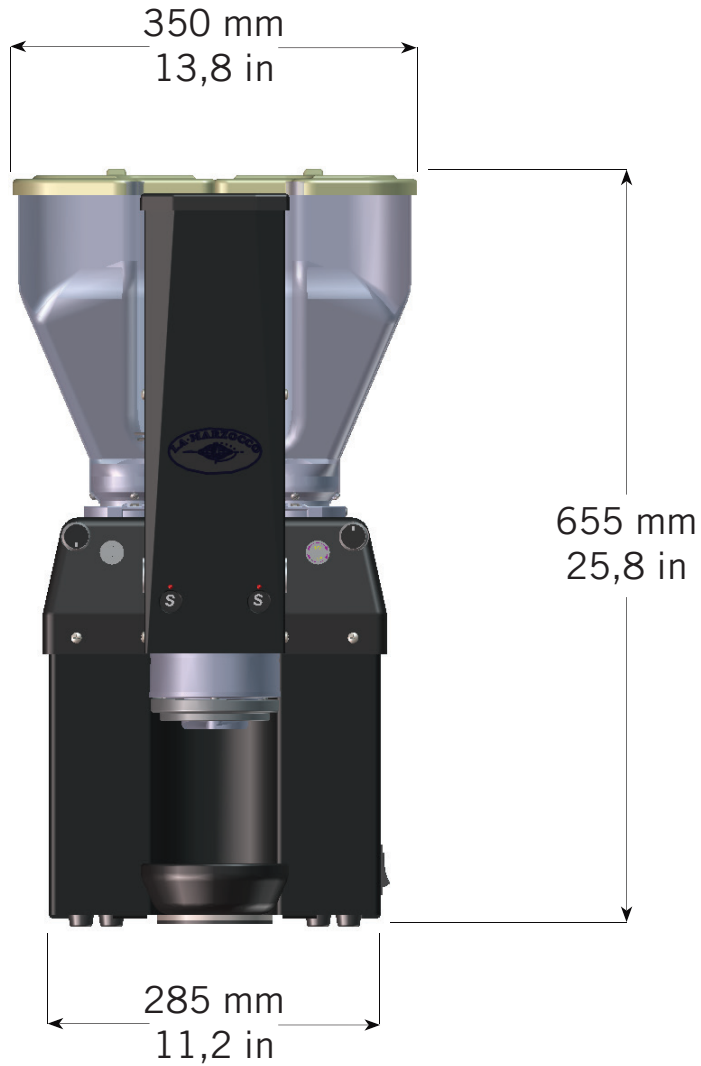
INDEX

		Pag.	Vers.
Specifications	Caratteristiche Tecniche	4	2.2
Swift EPS	Swift EPS	6	2.2
Tower Section	Esploso torre	8	2.2
Grinder and Accessories	Grinder e Accessori	10	2.2



la marzocco
handmade in florence

SPECIFICATIONS





la marzocco

handmade in florence

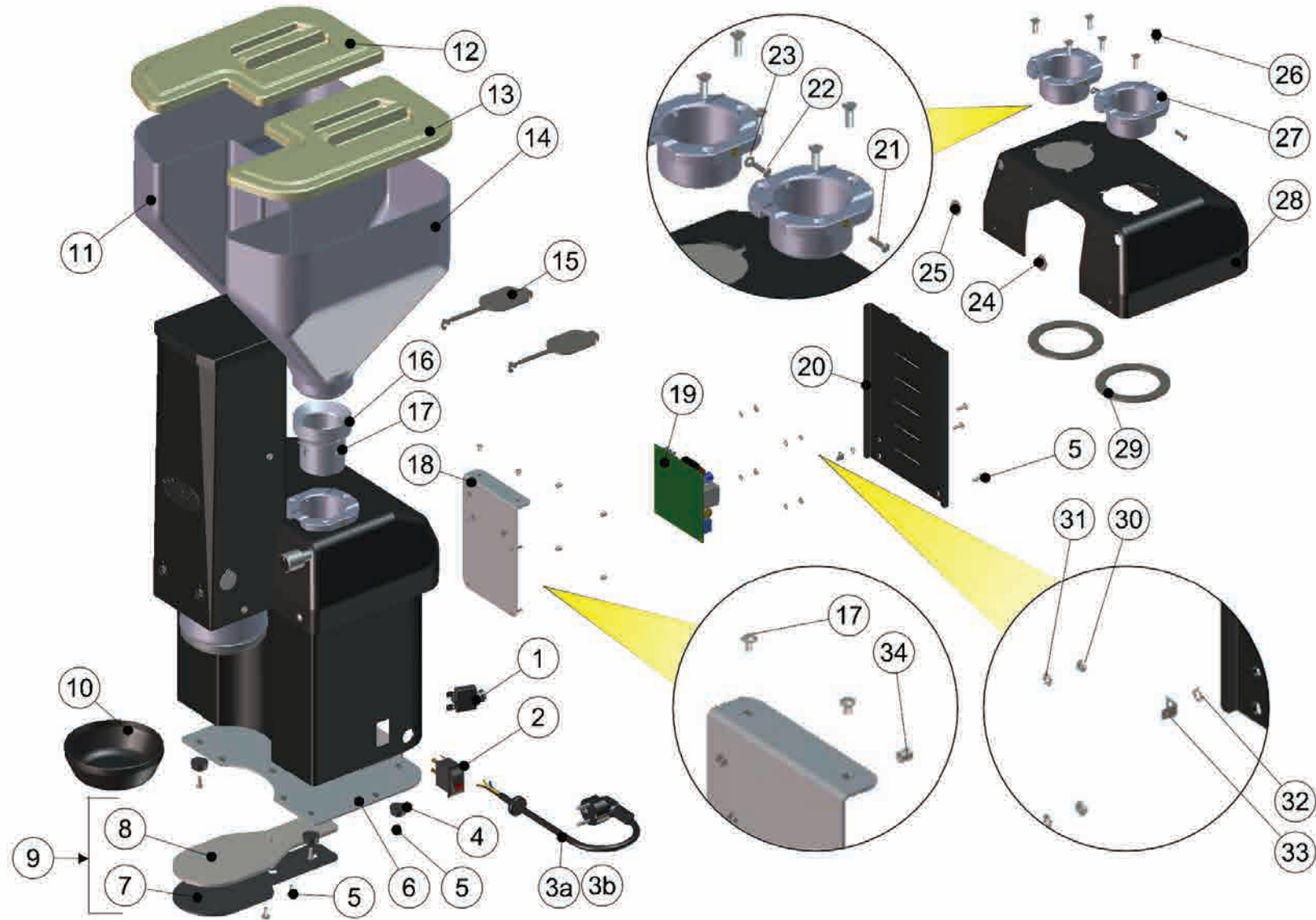
SPECIFICATIONS

Caratteristiche Tecniche	Width	mm	350
		in	13,78
	Height	mm	655
		in	25,78
	Depth	mm	360
		in	14
	Machine weight	Kg	31
		lb	68
	Shipping weight	Kg	32,5
		lb	71,65
	Hopper	Kg	1,8 x 2
		lb	4 x 2
	Electrical Voltage	VAC	110VAC Single Phase
			220VAC Single Phase
Total Wattage	W	780 Watts	
Operation Type	Automatic		
Burr Type	Ceramic Flat		



la marzocco
handmade in florence

SWIFT EPS ASSEMBLY





la marzocco

handmade in florence

SWIFT EPS ASSEMBLY

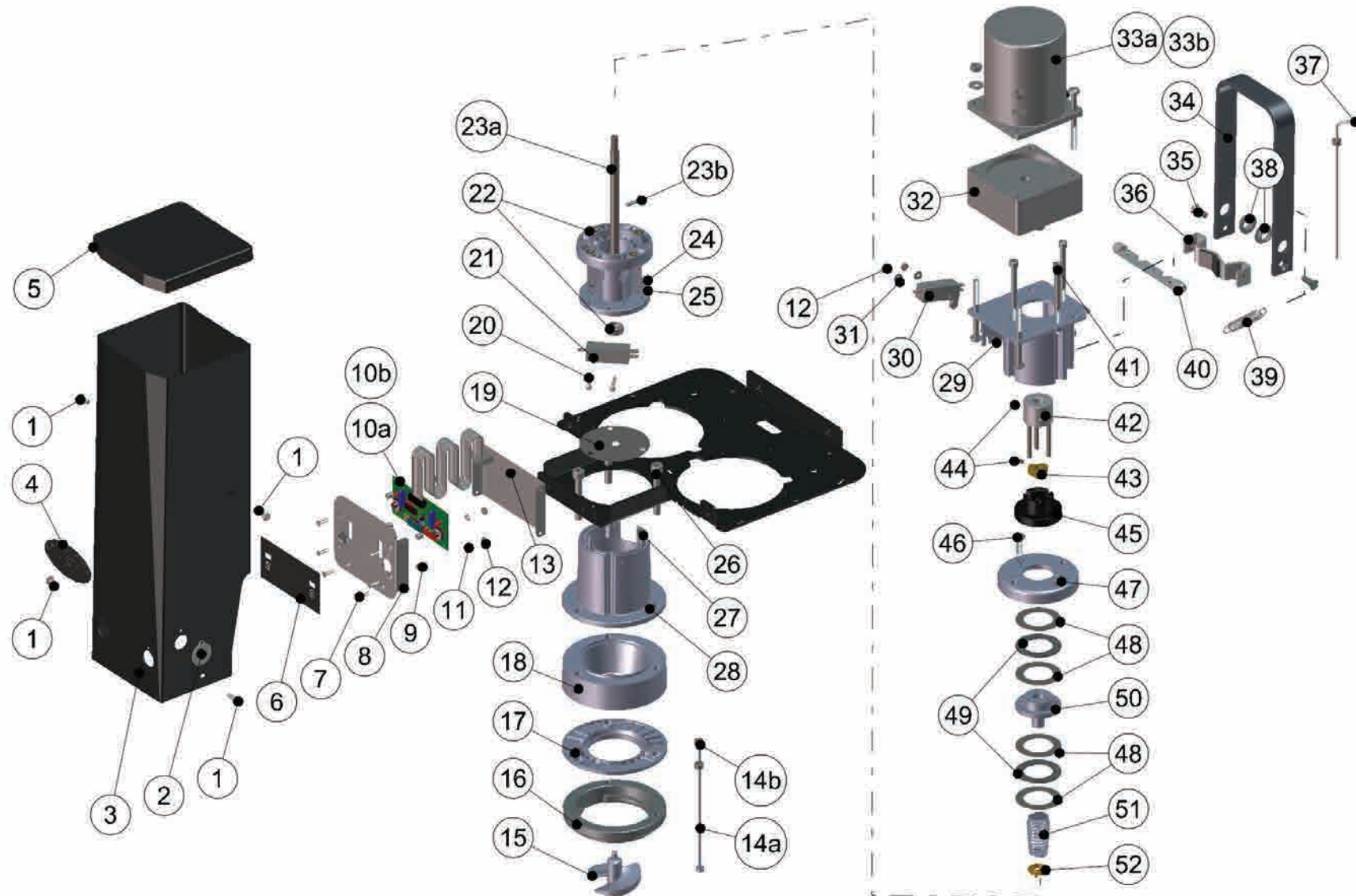
Swift Eps	1	5.373	RESETTABLE BREAKER 10A	18	5.310	TRANSFORMER MOUNT SS
	2	5.116	ON/OFF SWITCH W/LIGHT	19	5.305.1	TRANSFORMER BOARD. TYPE G
	3a	5.114	POWER CORD W/LIGHT, 110V	20	5.309	BACK COVER. ALUMINUM (indicate colour)
	3b	5.506	POWER CORD EURO 14/3, 220V	21	5.V024	#8-32 X 3/4 PAN HEAD SLOTTED
	4	5.120	FOOT. 3/4 DIA RUBBER	22	5.V023	#8-32 UNF X 5/8 PAN HEAD
	5	5.V001	#10-32 UNF X 1/2 TRUSS HEAD	23	5.V025	#8 SPLIT RING LOCK WASHER S/S
	6	5.306	BOTTOM PLATE	24	5.339.1	CLOCKWISE SLOW POUR DECAL
	7	5.343	FOOT RUBBER	25	5.339.2	CTRCLOCKWISE SLOW POUR DECAL
	8	5.342	FOOT PLATE	26	5.V021	1/4"-20 UNC X 3/4 FLAT HEAD
	9	5.341.1	FOOT PLATE ASSY (5.342+5.343)	27	5.361	HOPPER SLEEVE
	10	5.336	DRIP TRAY	28	5.368	GRINDER COVER W/FRONT KNOBS
	11	5.333	HOPPER LEFT	29	5.313	BOLT RINGS
	12	5.369	HOPPER LID LEFT NSF PLASTIC	30	5.V009	S/S #6-32 UNF HEX NUTS
	13	5.367	HOPPER LID RIGHT NSF PLASTIC	31	5.V008	#6 EXTERNAL TOOTH LOCK WASHER
	14	5.332	HOPPER RIGHT	32	5.V003	#10 EXTERNAL TOOTH LOCK WASHER
	15	5.315	BEAN GATE	33	5.V004	FASTON 1/4" NON INSULATED
	16	5.319	HOPPER MOUNT	34	5.376	#6-32UNF X1/4 X 1/4 ROUND
17	5.V013	#8-32 UNF X1/4" PAN HEAD				
Item	Part number/Codice	Description	Item	Part number/Codice	Description	



la marzocco

handmade in florence

TOWER SECTION ASSEMBLY





la marzocco

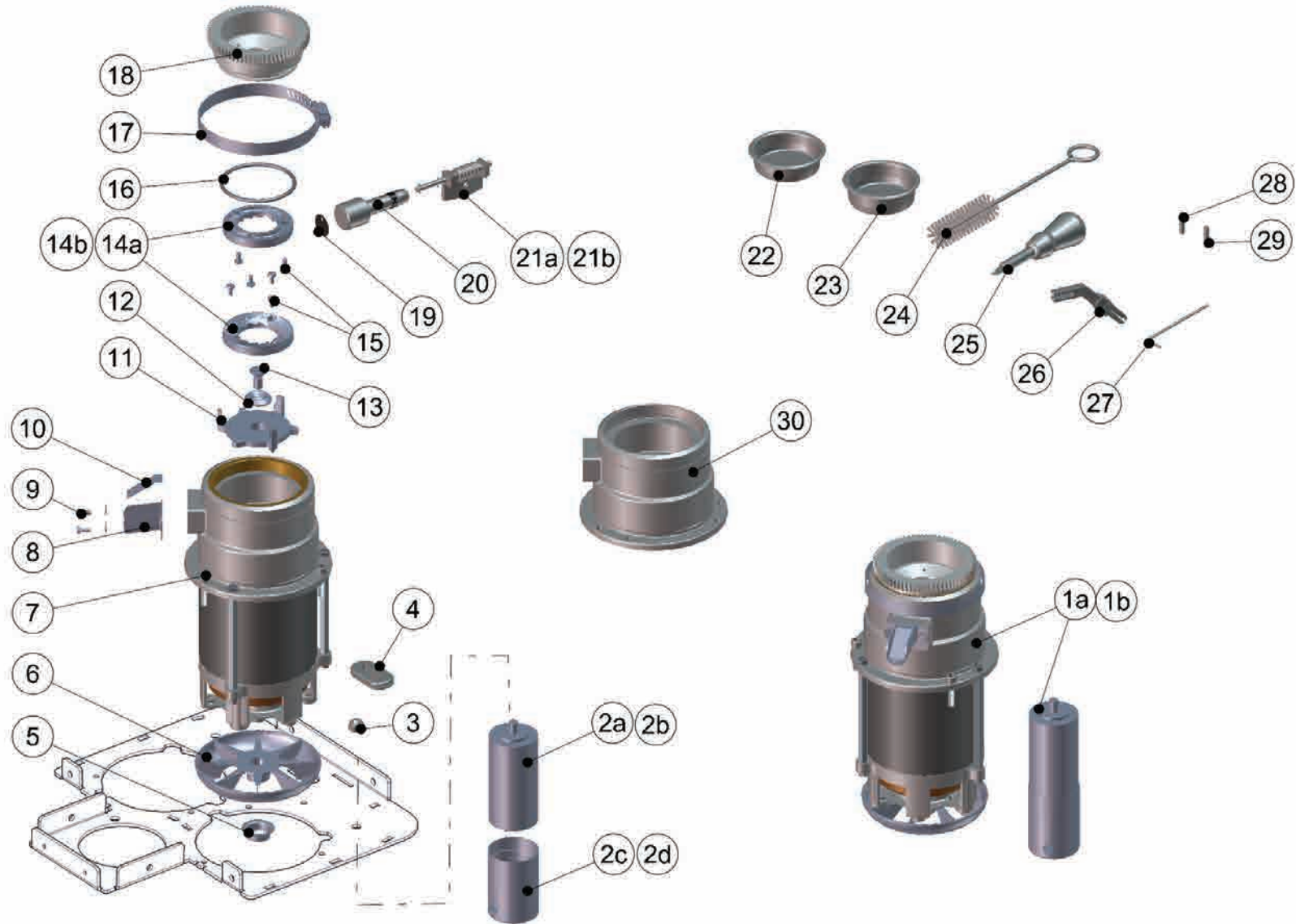
handmade in florence

TOWER SECTION ASSEMBLY

Sezione Torre

1	5.V001	#10-32 UNF X 1/2 TRUSS HEAD	26	L110.01	M8X52 S/S ALLEN BOLT (THR 8,5)
2	5.314	MEDAL SWIFT TOWER	27	5.V017	#10-32 UNF X 1 STUD TFL (SS)
3	5.311	TAMPER COVER. ALUMINUM (indicate colour)	28	5.356	COFFEE CHUTE
4	5.340	DECAL. OVAL. LM LOGO	29	5.V018	#6-32 X 1-1/4 S/S PAN HEAD PHILLIPS M/S
5	5.337	TAMPER COVER LID	30	5.117	ROLLER SWITCH WITH LEVER
6	5.303	BUTTON COVER OVERLAY	31	5.V020	S/S #6 FLAT WASHER
7	5.V012	#6-32 UNF X 1/2 FLAT HEAD	32	5.300.R	REDUCTION GEAR MOTOR 230V 50/60HZ S/D
8	5.312	ELECTRONICS MOUNT PLATE	33a	5.300/110	115V 50/60HZ SWIFT TAMPER MOTOR
9	5.376	#6-32UNF X1/4 X 1/4 ROUND (ALUMINUM)	33b	5.300	230V 50/60HZ SWIFT TAMPER MOTOR
10a	5.304.1	CONTROL. 2 BUTTON. TYPE G	34	5.347	SHAFT LOCK LEVER
10b	5.304.2	CONTROL. 2 BUTTON. TYPE G S/D DOSE SWIFT	35	5.V021	1/4"-20 UNC X 3/4 FLAT HEAD
11	5.V008	#6 EXTERNAL TOOTH LOCK WASHER	36	5.348	SHAFT LOCK SHOE
12	5.V009	S/S #6-32 UNF HEX NUTS	37	5.372.5	CLEAN OUT TOOL
13	5.316	ELECTRONIC MOUNT PLATE COVER	38	5.345	BEARING PLAIN FLANGED
14a	5.372	SWITCH PIN ASSEMBLY	39	5.122	SPRING FY
14b	5.372.3	1/8 SHAFT COLLAR ZINC (ONLY)	40	5.370	SHAFT LOCK MOUNT
15	5.331	TAMPER IMPELLER	41	5.V022	1/4"-20 UNC X 3-1/4" SOCKET HEAD ALLEN SCREW
16	L109.01	BAYONET RING	42	5.130	MOTOR SHAFT COUPLING
17	5.353	PORTAFILTER SPACER	43	5.131	TAMPER SHAFT COLLAR
18	5.354	COFFEE CHUTE SPACER	44	5.V014	S/S #10-32 X 3/8" SOCKET SET SCREW
19	5.371	GASKET. STAINLESS STEEL	45	5.132	TAMPER SHAFT COUPLING
20	5.V016	#6 X7/8" PAN HEAD PHILLIPS	46	5.V015	1/4"-20 UNC X 5/8" HEX HEAD SCREW
21	5.117.1	PIN SWITCH WITHOUT LEVER	47	5.355	THRUST BEARING RETAINER TOP
22	5.358	THRUST BEARING RETAINER. PLAST (includes lip seal 5.110)	48	5.106	THRUST BEARING WASHER
23a	5.328.01	TAMPER SHAFT (ASSEMBLED WITH 5.109)	49	5.105	THRUST BEARING
23b	5.109	ROLL PIN 3/16 X 7/8 420SS	50	5.360	BEARING SPINDLE
24	5.V003	#10 EXTERNAL TOOTH LOCK WASHER	51	5.111	SPRING IMPELLER SHAFT
25	5.V005	S/S #10-32 UNF HEX NUT	52	5.359	SPRING RETAINER
Item	Part number/Codice	Description	Item	Part number/Codice	Description

GRINDER & ACCESSORIES ASSEMBLY





la marzocco

handmade in florence

GRINDER & ACCESSORIES ASSEMBLY

Grinder e Accessori	1a	5.200	GRINDER MOTOR ASSY 110V	14b	5.200.301	CERAMIC BURR (PAIR) HIGH SPEED
	1b	5.201	GRINDER MOTOR ASSY 220V	15	5.200.16	SCREW M4X8 A2
	2a	5.200.51	CAPACITOR-EMV-64LM 120/60/1 SOLD WITH	16	5.200.55	O-RING BURR MOUNT
	2b	5.200.53	CAPACITOR-EMV-64LM 230/30/1	17	5.200.26	ADJUSTOR CLAMP
	2c	5.200.52	CAPACITOR CAP-EMV-64LM,110V	18	5.200.7	STATIONARY GRINDING BURR MOUNT
	2d	5.200.54	CAPACITOR CAP-EMV-64LM, 220V	19	5.339.3	KNOB LOCATION INDICATOR DECAL
	3	5.V007	M8 X 1.25 NYLON INSERT LOCK NUT	20	5.338.R	GRIND ADJUSTOR KNOB. 5.338.1 INCLUDED
	4	5.125	GROMMET	21a	5.200.31.R	RGT GRIND ADJUSTOR GEAR W/ROLL PINS
	5	5.200.27	CLAMP RING FOR FAN	21b	5.200.36.R	ADJUSTMENT GEAR ASSEMBLY, LEFT W/ROLL PINS
	6	5.200.28	FAN BLADE	22	5.128	19MM SWIFT FILTER BASKET (FOR 14 TO 15 GRAMS)
	7	5.V006	1/4-20 UNC X 1" SOCKET HEAD	23	5.127	22MM SWIFT FILTER BASKET (FOR 16 TO 17 GRAMS)
	8	5.200.10	DISCHARGE	24	5.118	CLEANING BRUSH
	9	5.200.15	M4x0.7x10 CHEESE HEAD SLOTTED MACHINE SCREW	25	5.124	STUB SCREWDRIVER
	10	5.200.11	DISCHARGE COVER (LAMINATED SPRING)	26	5.123	FUSE PULLER
11	5.200.8	ROTATING GRINDING BURR MOUNT	27	5.129	LONG ARM L-KEY. 3/32 HEX SIZE	
12	5.200.19	CONICAL WASHER	28	5.364	FUSE. 1A-SLO	
13	5.200.14	M8X1.25X18MM MACHINE SCREW	29	5.363	FUSE. 125MA	
14a	5.200.30	CERAMIC BURR. (PAIR) STANDARD	30	5.200.5	HOUSING EMV-64LM	
Item	Part number/Codice	Description	Item	Part number/Codice	Description	

LA MARZOCCO SRL
Via La Torre, 14/H
Localita' La Torre
50038 Scarperia e San Piero
(Florence) - ITALY
T. +39 055 849 191
F. +39 055 849 1990
info@lamarzocco.com
www.lamarzocco.com