



**HANDMADE IN FLORENCE**

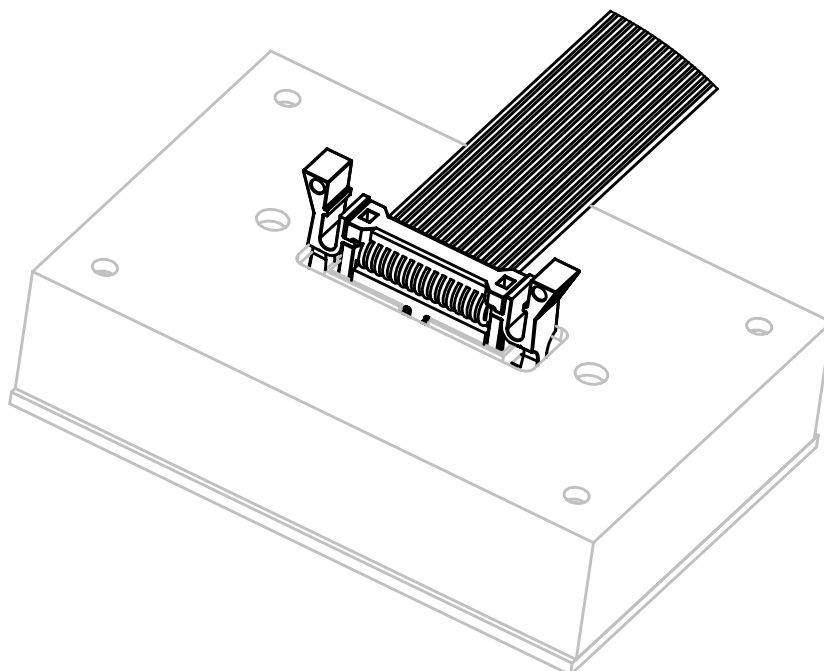
## **TECHNICAL BULLETIN #32**

TECHNICAL REFERENCE: 062907/32

June 29, 2007

**MODEL/S AFFECTED:** GB/5 and FB/80 models since the machine serial number 0500 - ALL  
**PART/S DESCRIPTION:** new 16 pin ribbon cable wing connector and push button bottom box

*La Marzocco replaced the 16 pin ribbon cable connector with a new updated model. The new connector is equipped with two wing clips on the sides to ensure the connection between the cable and the female connector. Consequently the back plastic box cover (EE model-E.1.007) for the manual brew switch has been modified with a larger slot to accommodate the new connector. The modification does not affect the rest of the GB/5 & FB/80 AV model key pad boxes.*



*The following is a kit description:*



HANDMADE IN FLORENCE

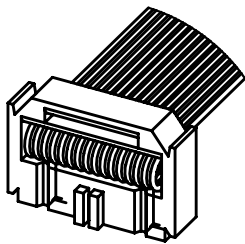
## TECHNICAL BULLETIN #32

TECHNICAL REFERENCE: 062907/32

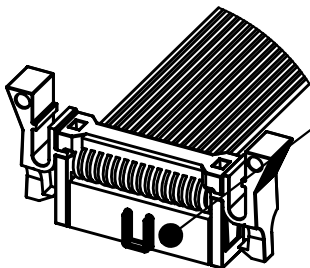
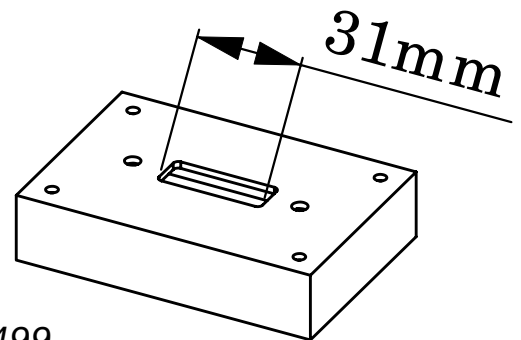
June 29, 2007

**MODEL/S AFFECTED:** GB/5 and FB/80 manual brew button connection - ALL

**PART/S DESCRIPTION:** new 16 pin ribbon cable wing connector and push button back box cover



Previous version until s/n 0499



**LAD3D5/ C 0\***

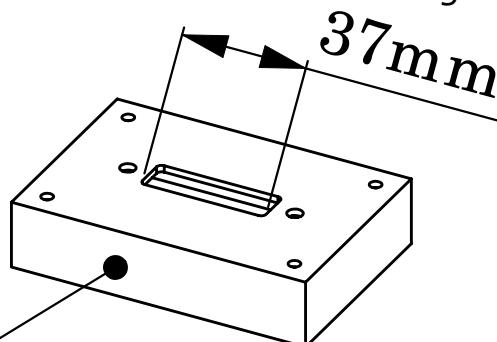
16 pin ribbon cable complete with wing connector:

LAD3D5/C04 - 80 cm ribbon cable

LAD3D5/C05 - 110 cm ribbon cable

LAD3D5/C06 - 140 cm ribbon cable

**New kit and actual version used on machines from s/n 0500** which will include the back box cover with a larger slot for the new connector size and the following new wing connector parts:



**LAD073**