



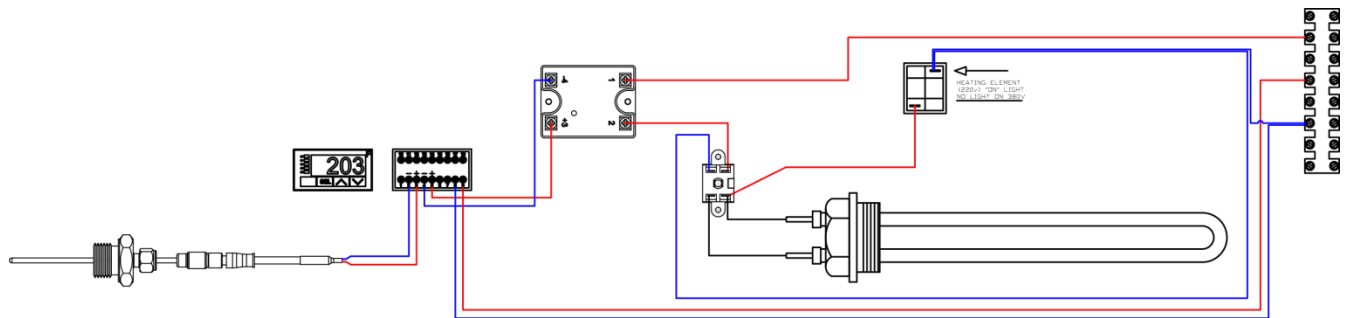
La Marzocco Technical Bulletin # 57 - August 29, 2012

Linea, FB/70 PID Kit

Dear La Marzocco Family Member,

Please find following further details about the PID system introduced on Linea machines as a standard device controlling the coffee boiler temperature since June 2011 from machine serial number 33465 onwards.

Please find following the schematic wiring connection:



The wiring part number for all models and version is: E.4.012 - WIRING FOR PID KIT

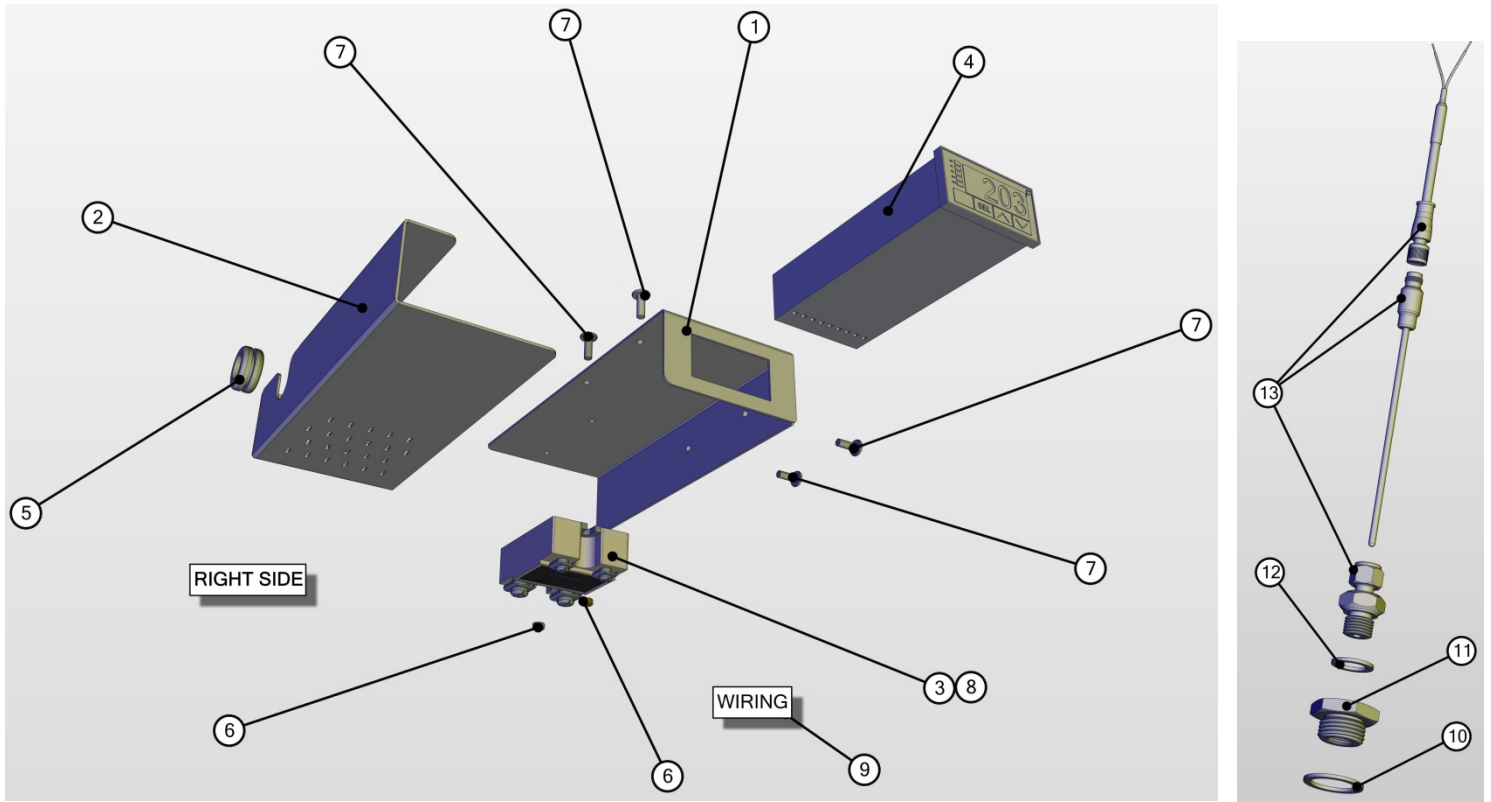
Please don't hesitate to contact us if you have any questions.

Best regards
After Sales Department/Ufficio Post Vendita

ettore@lamarzocco.com
enrico@lamarzocco.com

RIGHT SIDE COMPLETE KIT (4 GR MACHINES):

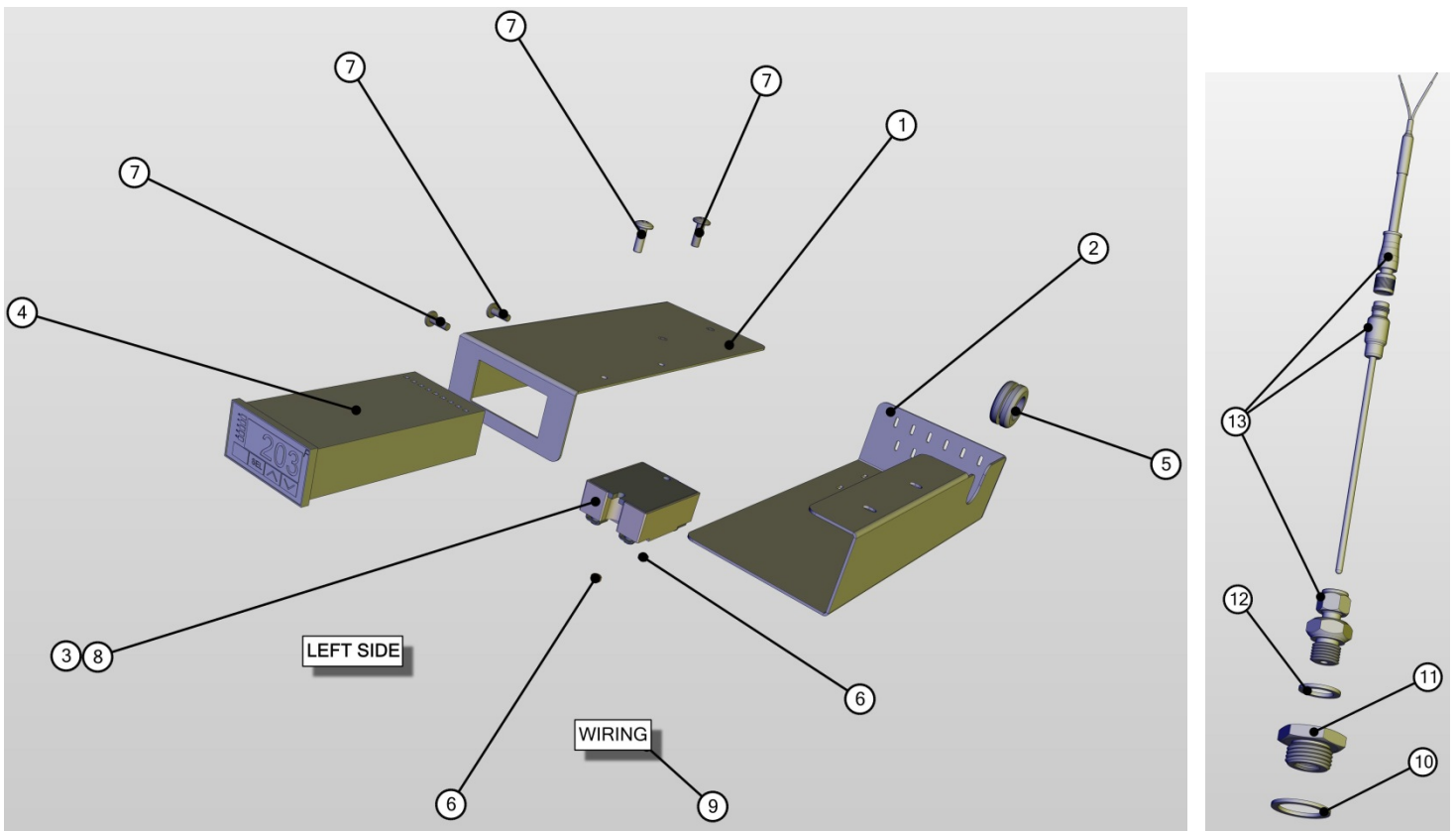
- Part n°950/DX (220V)
- Part n°950/DX380 (380V)



N°	Item Number	Description	950/DX Q.ty	950/DX380 Q.ty
1	CL40/DX.01	RIGHT PID BRACKET	1	1
2	C.1.133.DX	RIGHT PID COVER	1	1
3	E.4.010.01	SOLID STATE RELAY 25A 250V	1	-
4	E.1.011	PID CONTROLLER FUJI	1	1
5	E.2.018	GROMMET FOR WATER INLET TUBE	1	1
6	DADO3M	BRASS NUT 3M UNI 5588	2	2
7	CL22/V	S/S SCREW 4X12 T9 H2,5 TBL	4	4
8	E.4.035	SOLID STATE RELAY 25A 480V	-	1
9	E.4.012	WIRING FOR PID KIT	1	1
10	L260/1A	COPPER WASHER	1	1
11	A.2.007	ADAPTOR FOR TEMP PROBE	1	1
12	L100/1A	COPPER WASHER	1	1
13	L530.01	TEMPERATURE PROBE COMPLETE	1	1

LEFT SIDE COMPLETE KIT:

- Part n°950/SX (220V)
- Part n°950/SX380 (380V)



N°	Item Number	Description	950/SX Q.ty	950/SX380 Q.ty
1	CL40/SX.01	LEFT PID BRACKET	1	1
2	C.1.133.SX	LEFT PID COVER	1	1
3	E.4.010.01	SOLID STATE RELAY 25A 250V	1	-
4	E.1.011	PID CONTROLLER FUJI	1	1
5	E.2.018	GROMMET FOR WATER INLET TUBE	1	1
6	DADO3M	BRASS NUT 3M UNI 5588	2	2
7	CL22/V	S/S SCREW 4X12 T9 H2,5 TBL	4	4
8	E.4.035	SOLID STATE RELAY 25A 480V	-	1
9	E.4.012	WIRING FOR PID KIT	1	1
10	L260/1A	COPPER WASHER	1	1
11	A.2.007	ADAPTOR FOR TEMP PROBE	1	1
12	L100/1A	COPPER WASHER	1	1
13	L530.01	TEMPERATURE PROBE COMPLETE	1	1