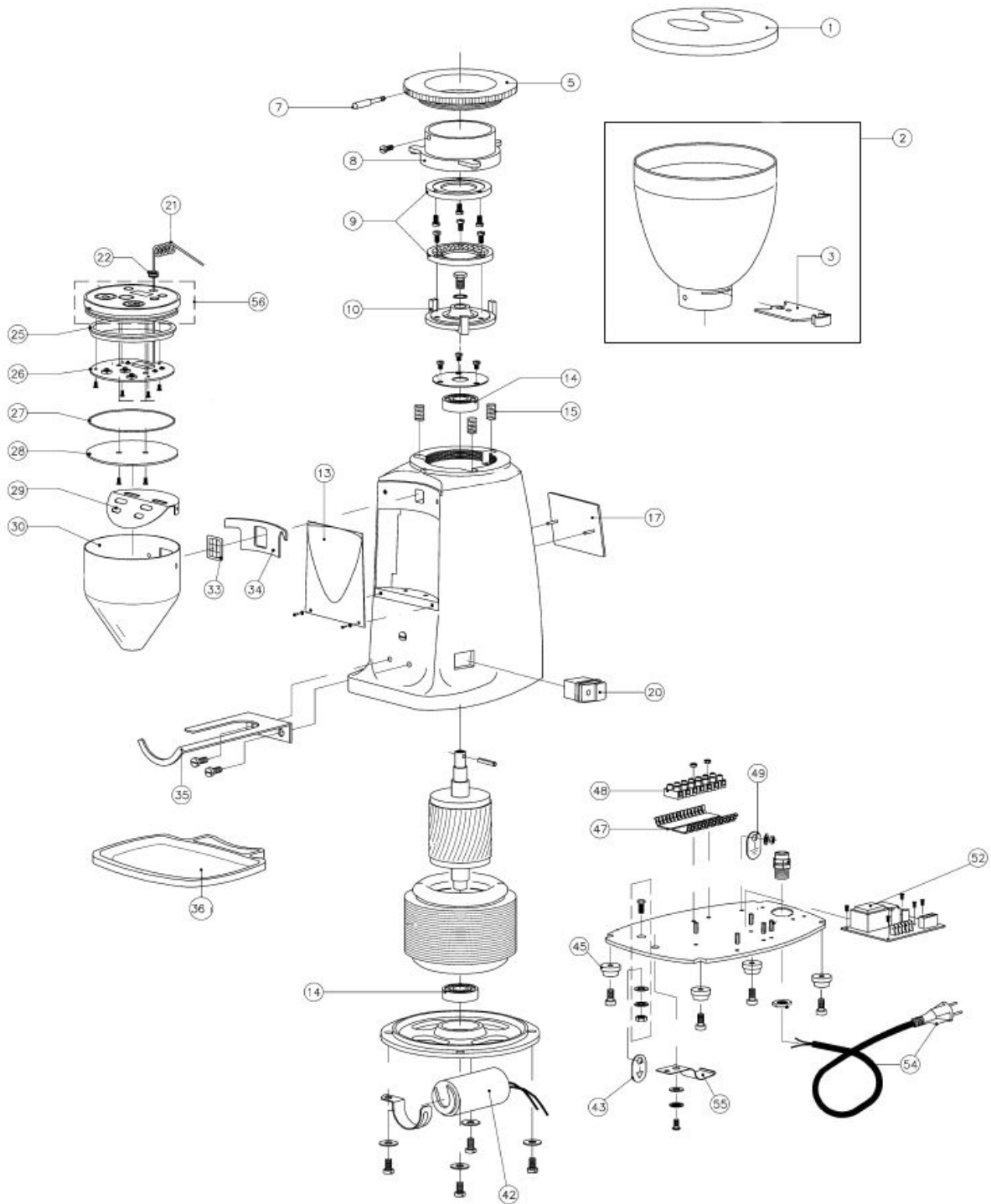


MINI electronic mod. A  
EXPLODED VIEW





Position	Description	Part Number
1	Mini Hopper Lid	M28054009
2	Mini Hopper (no lid)	M28350001
3	Hopper Locking Slide	M28326010/VT
5	Coffee Grinding Adj. Disk , SJ / Mini E / Kony	M28157
7	Grinding Adjustment Disk Handle	M28360012
8	Upper Burr Holder, Mini E	M28360030/MINIE
9	Mini "E" Grinding Burrs, 189D	M28217003/E
10	Super Jolly/Mini 'E' Lower Burr Holder	M28253
13	Mini "E" Motor Cover	M28500/MINI
14	Bearing, 6202	M28057
15	Grinding Adjustment Spring	M28233
17	Mazzer 4M Back Plate. Mini, SJ, K, M, R	M28535
20	Green Light Switch	M28163/MINI
21	Wire for Push Button Display	M28640/WIRE
22	Cable Locking 40-80-20 Black	M28600
25	Gasket for Push Button Holder Lid	M28630
26	Card for Push Button, with Display	M28640
27	O - Ring NBR70	M28680
28	Bottom for Push Button Lid	M28650
29	Coffee Outlet Cover Plate, MINI	M28323/MINI
30	Funnel for Mini 'E'	M28660/MINI
33	Grid, Mini Electronic	M28670/MINI
34	Gasket Aer-Stop	M28400004
35	Fork for Portafilter, Mini 'E'	M28850
36	Drip Tray (Metal, Square)	TRAY/MINI
42	Capacitor 20 uF	M19051
43	External Unipotential Clamp, Plate	M28905
45	Mazzer Foot	M28258
45	Screw TC 5X20 For Back Feet	M28258/SCL
45	Screw, TC 5X12	M28258/SCS
47	Under Terminal Blocks	M28904
48	Terminal Blocks	M28903
49	Ground Plate	M28902
52	Board for double Timer (R, M, K, K, Mini-A Current)	M28700
54	Mazzer Power Cable	M30022
55	Mazzer Grounds Tray Clip	M28259
56	Push Button Holder Lid + Adhesive Membrane	M28610