



**la marzocco**  
handmade in florence

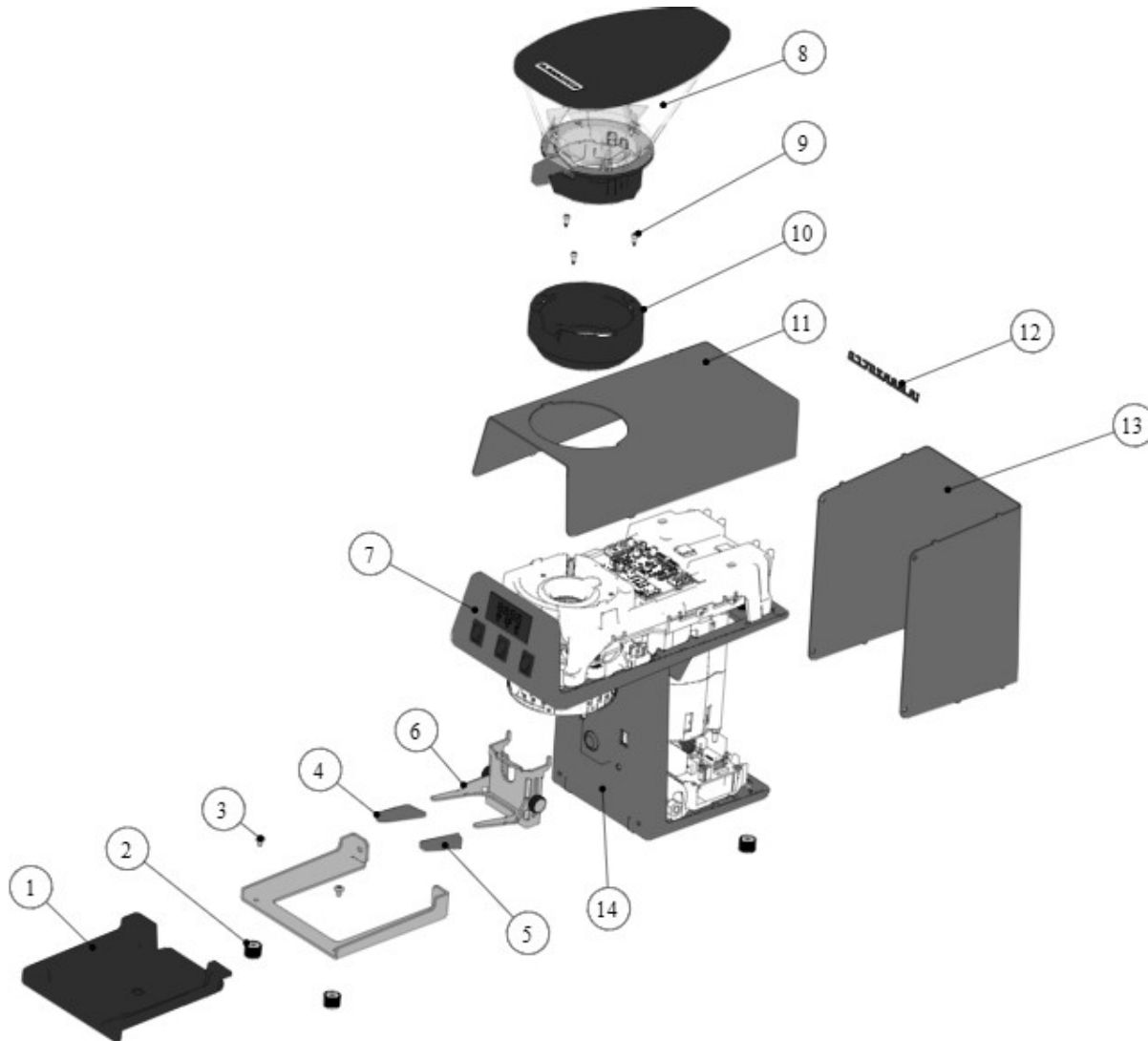
## PARTS PICO





**la marzocco**  
handmade in florence

## 07 – BODY PANEL ASSEMBLY





**la marzocco**

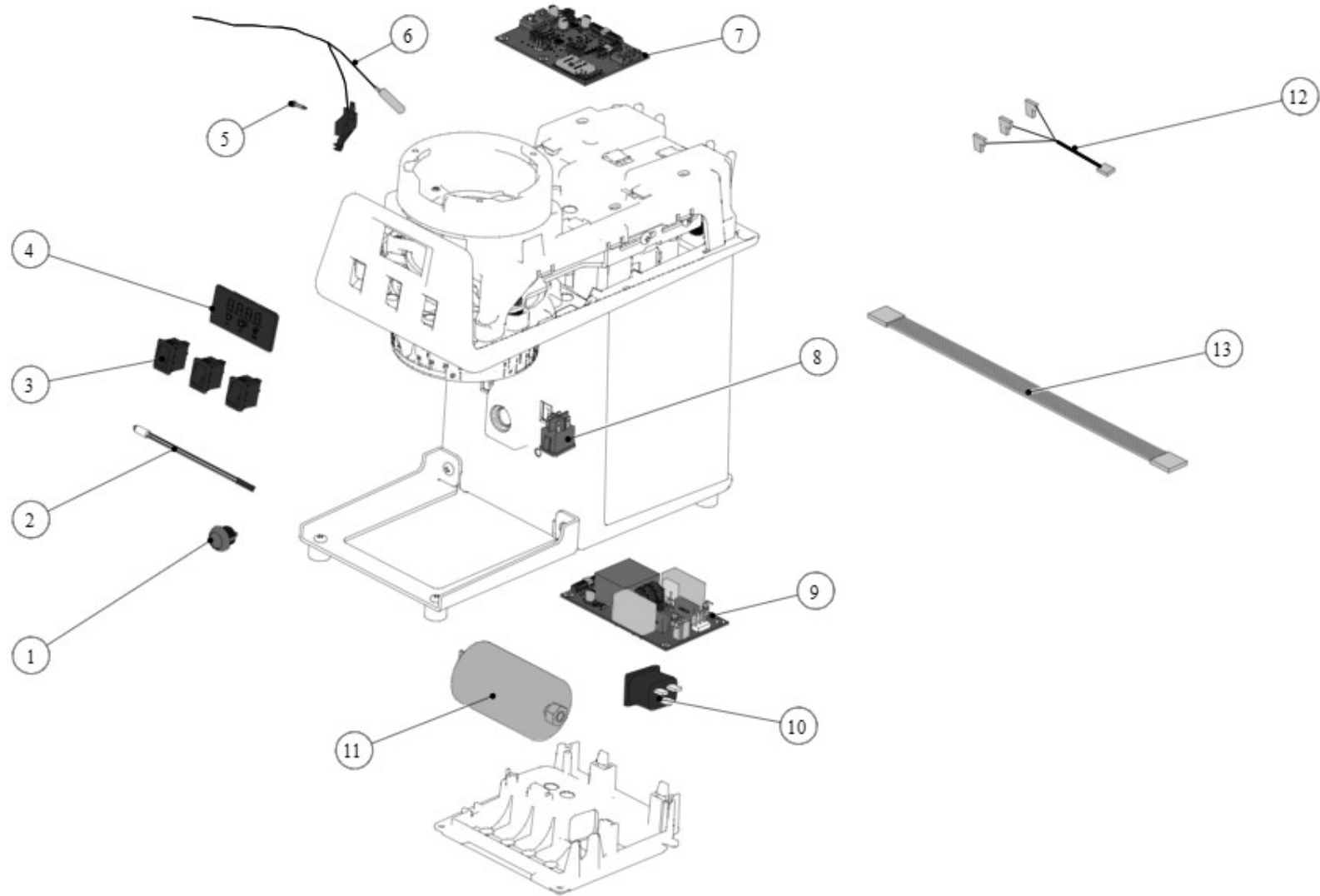
handmade in florence

Item	Part number	Description
0001	C.2.076	DRIP TRAY
0002	F.2.078	Ø15 H10 SCREW-ON ANTI-STAIN FOOT WITH M4
0003	I.3.025	SCREW M4x8 SOCKET CUP ROUND-PAN GALV.
0004	F.2.084.SX	FORK PROTECTION SX
0005	F.2.084.DX	FORK PROTECTION DX
0006	1041	HOLDER PORTAFILTER PICO
0007	C.3.036	UPPER CHASSIS
0008	1042	HOPPER COMPLETE PICO
0009	VITEAUT2.9X9.5	SELF TAP. SCREW 2,9X9,5 PHIL.ROUND-PAN
0010	1043	SUPPORT HOPPER PICO
0011	C.1.721.60	SUPERIOR COVER PICO BLACK
0011	C.1.721.62	SUPERIOR COVER PICO WHITE
0012	D.4.051	REDLOGO MICRA
0013	C.1.717.60	LOWER CASE PICO SKY BLACK
0013	C.1.717.62	LOWER CASE PICO WHITE
0014	1044	FRAME BASE PICO



**la marzocco**  
handmade in florence

## 09 – ELECTRICAL SYSTEM





**la marzocco**

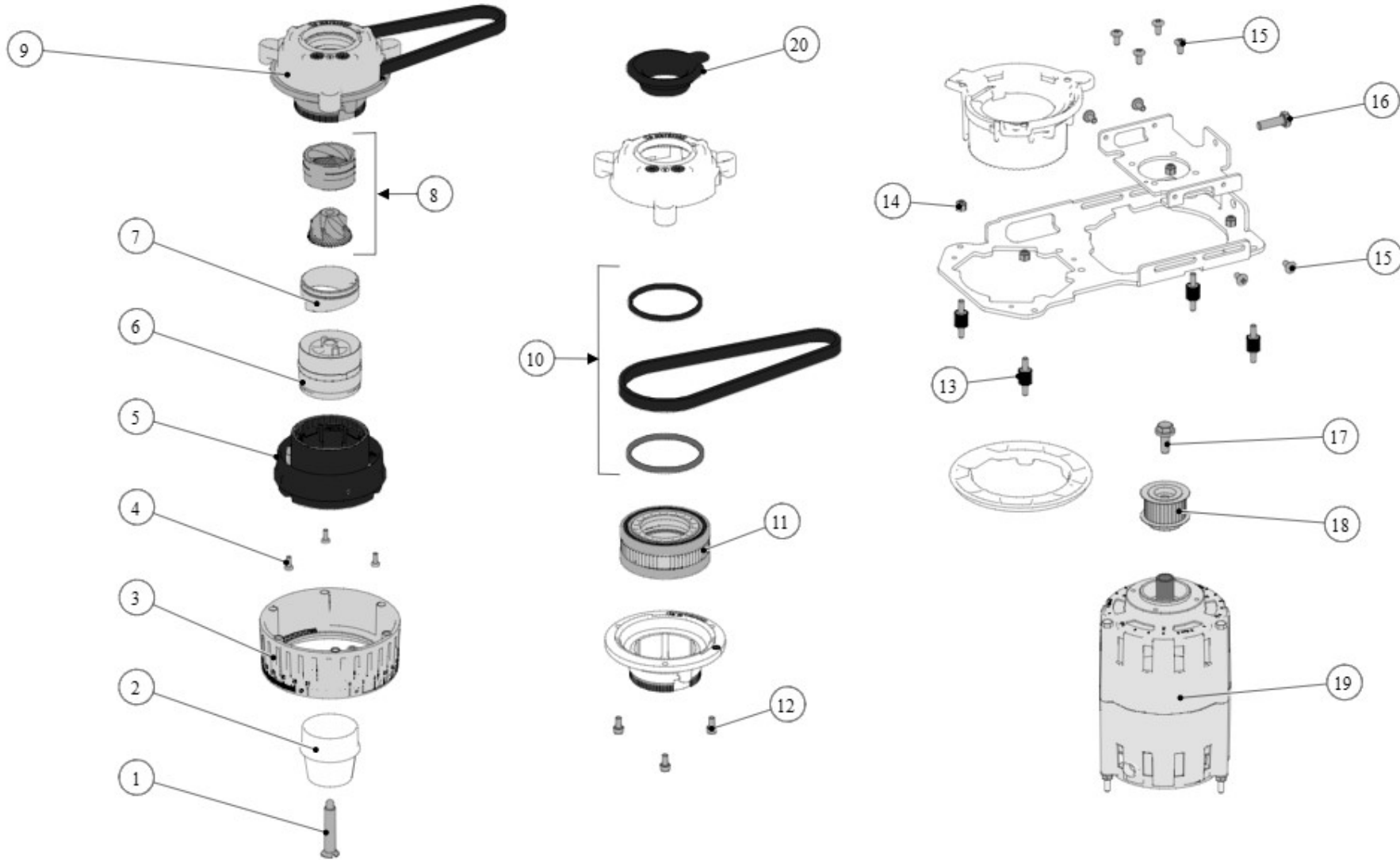
handmade in florence

Item	Part number	Description
0001	E.2.129	WIRED ROUND BOTTON
0002	E.4.370	WIRED 12V WHITE LED
0003	E.2.130	BASCULA BUTTON
0004	E.1.087	FULL DISPLAY MG
0005	VITEAUT2.2X9.5	SELF TAP. SCREW 2,2X9,5 PHIL.ROUND-PAN
0006	E.2.131	WIRED MICROSWITCHES MICRO GRINDER
0007	E.1.086	CPU BOARD
0008	E.2.135	BIPOLAR KEY SWITCH R19
0009	E.1.085	MOTOR BOARD MG-EG
0010	E.4.246	PLUG PANEL 10A 250V
0011	E.2.133	CAPACITOR 16mF 475V UL S0
0011	E.2.134	CAPACITOR 45mF 250V UL S0
0012	E.4.369	WIRING HARNESS PICO LOW VOLTAGE
0013	E.4.371	ELECTRONIC BOARD CONNECTION FLAT CABLE



**la marzocco**  
handmade in florence

## 11 – PICO ASSEMBLY & MOTOR





**la marzocco**

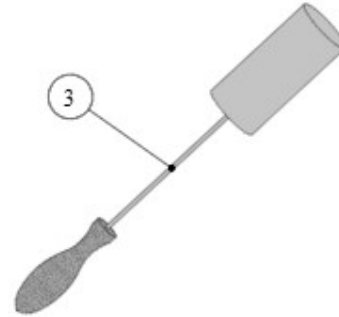
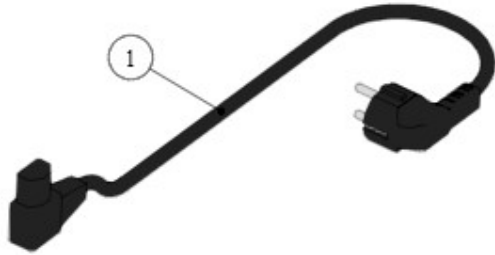
handmade in florence

Item	Part number	Description
0001	I.1.207	SCREW M48X40 CHEESE S/S A2
0002	F.1.267	FUNNELL BURR OUTPUT
0003	F.6.026	GRANULOMETRY INDICATION RING PAINTED
0004	I.3.023	SCREW M3X8 PHILL. ROUND-PAN FLANGE GALV.
0005	1045	ADJUSTING GEAR PICO
0006	F.6.029	INTERNAL BURR HOLDER
0007	C.3.040	EXTRUDER EXTERNAL BURR
0008	1046	KIT CONICAL BURRS PICO
0009	1047	GRINDING GROUP ASSEMBLY PICO
0010	1048	REBUILD KIT BELT PICO
0011	1049	BALL BEARING PICO
0012	I.3.024	SCREW M4X8 SOCKET CAP GALVANIZED
0013	F.2.077	SILENT BLOCK 10x10 40 ShA
0014	I.3.022	FLANGE NUT M4 H4 WR7 GALVANIZED
0015	I.3.025	SCREW M4x8 SOCKET CUP ROUND-PAN GALV.
0016	I.1.058	SCREW M6X20 HEX HEAD S/S
0017	I.1.208	SCREW M6X16 HEX FLANGE BOLT W/SERRATION
0018	F.6.028	PULLEY 9 HTD 3M Z32
0019	E.7.020	MOTOR AC SINGLE-PHASE 230V 250W Ø90x50 m
0020	F.2.083	SILICONE COLLAR



**la marzocco**  
handmade in florence

## 13 – ACCESSORIES







**la marzocco**

handmade in florence

Item	Part number	Description
0001	E.4.376	POWER CORD 3X0.75 SHUKO PLUG
0001	E.4.244	POWER CORD 3XAWG18 USA PLUG
0003	5.380	CLEANING SOFT BRUSH