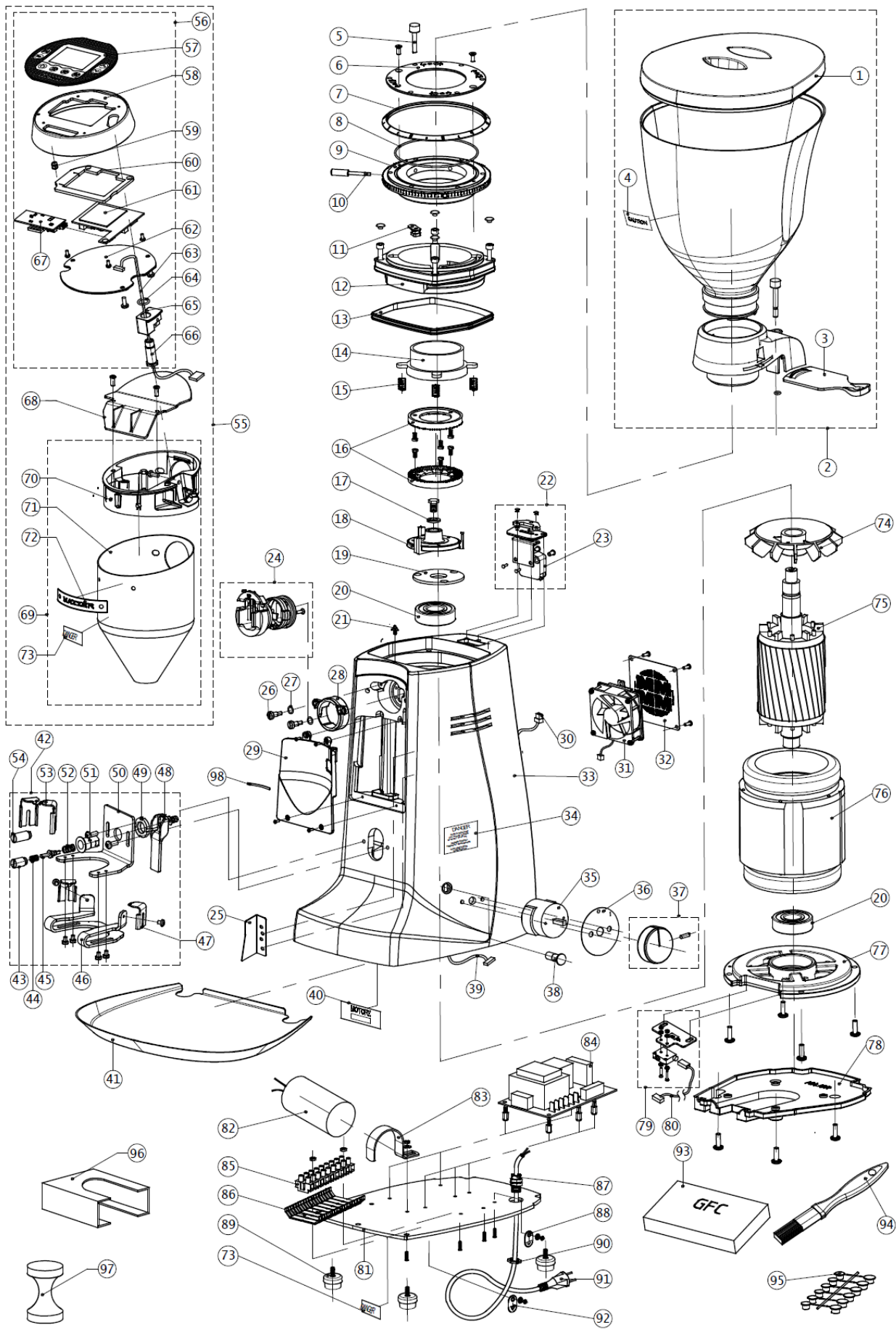


EXPLODED VIEW
MAJOR V /VP ELECTRONIC





For questions about parts, or to place an order over the phone, contact La Marzocco Solutions at 1-206-706-9104 ext 101. Orders can be emailed to parts.usa@lamarzocco.com

LM USA generated part numbers (M*****) and Mazzer factory numbers (S*****/**Q) are used in this catalog.

Desc. No.	Part Number	Description
1	M28053001	Mazzer Hopper Lid, Robur 'S', Major V
2	M28351005	Mazzer Hopper, Robur S, Major V (no lid)
3	M28326011	Mazzer Robur S, Major V, ZM Collar Locking Slide
4	Not Available	
5	M28360021	Locking Pin for Grind Adjustment Disk
6	M28682	Closing Plate for Grinding Adjust Disk
7	M28681	Graded Ring for Grind Adjustment Disk
8	M28680001	O-Ring 2375 NBR70
9	M28158001	Robur S, Major V Grind Adjustment Disk
10	M28360012	Grinding Adjustment Disk Handle
11	M28360019	Lock Nut for Grinding Adjustment Disk
12	M28360031/MV	Major V Holder for Grinding Adjustment Disk
13	M28684	Adjustment Disk Holder Gasket (Major V)
14	M28360030	Upper Burr Holder, Major
15	M28233	Grinding Adjustment Spring
16A	M28215	151-A Burrs, Major
16B	M28217/H	151-H Burrs, Single Phase, Major VP
17	M28253/WL	Large Machined Washer, Lower Burr Holder
18	M28253/M	Major, Major V Lower Burr Holder
19	Not Available	
20	M28063	Bearing, 6204
21	M28360022	Grinding Adjustment Index
22	M28245	Automatic Robur S Wired Safety Switch
23	M28241	Hopper Safety Switch, Wired
24	M28671/MV	Duct Insert Assembly Major V El.
25	Not Available	
26	Not Available	
27	Not Available	
28	Not Available	
29	M28500/MV	Motor Cover, Major V
30	M28541	Connection cable for fan, Major V
31	M28510/MV	Fan 60x60 with wiring and fan bearing
32	M28530/MV	Filter for Fan 60x60
33	Not Available	
34	Not Available	
35	M28161	Two Pole Rotative Switch, On/Off

Desc. No.	Part Number	Description
36	M28161001	Switch Label - 0/1
37	M28166/RS	Aluminum Switch Knob w/ Insert Robur S, Major V
38	M28258006/RS	Pilot LED Light, 110v, Red
39	M28702/WIRE	Connection cable for electronic board, Major V
40	Not Available	
41	TRAY/LG-RS	Robur S, Major V Drip Tray
42	M28123010	Complete Portafilter Rest Assembl Major V
43	Not Available	
44	Not Available	
45	Not Available	
46	M28123008	Moving Element
47	M28123001	Short Hook
48	Not Available	
49	M28123007	Ring, M15 x 1
50	M28123003	Base Element - Adjustable Portafilter Holder
51	Not Available	
52	Not Available	
53	M28123002	Long Hook - Adjustable Portafilter Holder
54	Not Available	
55	Not Available	
56	M28625	Display Board w/ WiFi, Robur S, Major V
57	M28610/RSM	Membrane for User Interface Equiped w/ TFT Display
58	Not Available	
59	M2861001	Plastic Spring Plunger
60	Not Available	
61	M28620/RSH	TFT Display Board Robur S, Major V
62	M2861002	Bottom for TFT Display Holder, Robur S, Major V
63	M28620/WIRE	Connection cable for display board, Major V
64	Not Available	
65	Not Available	
66	Not Available	
67	M28620/RS	WiFi Board for User Interface Equiped w/ TFT Display
68	M28323/RS	Coffee Outlet Guard Robur S, Major V
69	M28660/MV	Funnel Assembly, Major V
70	Not Available	
71	Not Available	
72	Not Available	
73	Not Available	
74	Not Available	
75	Not Available	
76	Not Available	
77	Not Available	
78	Not Available	
79	M28237	Wired Cup Activation Switch + plate, Major V
80	Not Available	

Desc. No.	Part Number	Description
81	Not Available	
82	M19058	Capacitor 60 uF
83	M50066	Capacitor Locking Clamp
84	M28702	Power Board 100-120v Robur S, Major V
85	M28903	Terminal Blocks
86	M28904	Under Terminal Blocks
87	M30020	Cable Locking, Black
88	M28902	Ground Plate
89	M28258	Standard Foot, Mini, Lux, Super Jolly, Major
90	M30021	Nut for Cable Locking
91	M30022	Power Cable
92	M28905	External Unipotential Clamp, Plate
93	M60040/MV	GFC Kit Major V hybrid (set of 3)
94	M28685	Cleaning Brush
95	Not Available	
96	M28860	Tamping Stand
97	Not Available	
98	Not Available	

Adapted from Mazzer catalog ESMJELG 01.06.2021 by La Marzocco USA.

MAZZER LUIGI S.p.a
VIA MOGLIANESE, 113
30037 GARDIGIANO DI SCORZE' (VE)
ITALIA
mazzer.com/en/

LA MARZOCCO USA LLC
1553 NW BALLARD WAY
SEATTLE, WA 98107
USA
lamarzoccousa.com