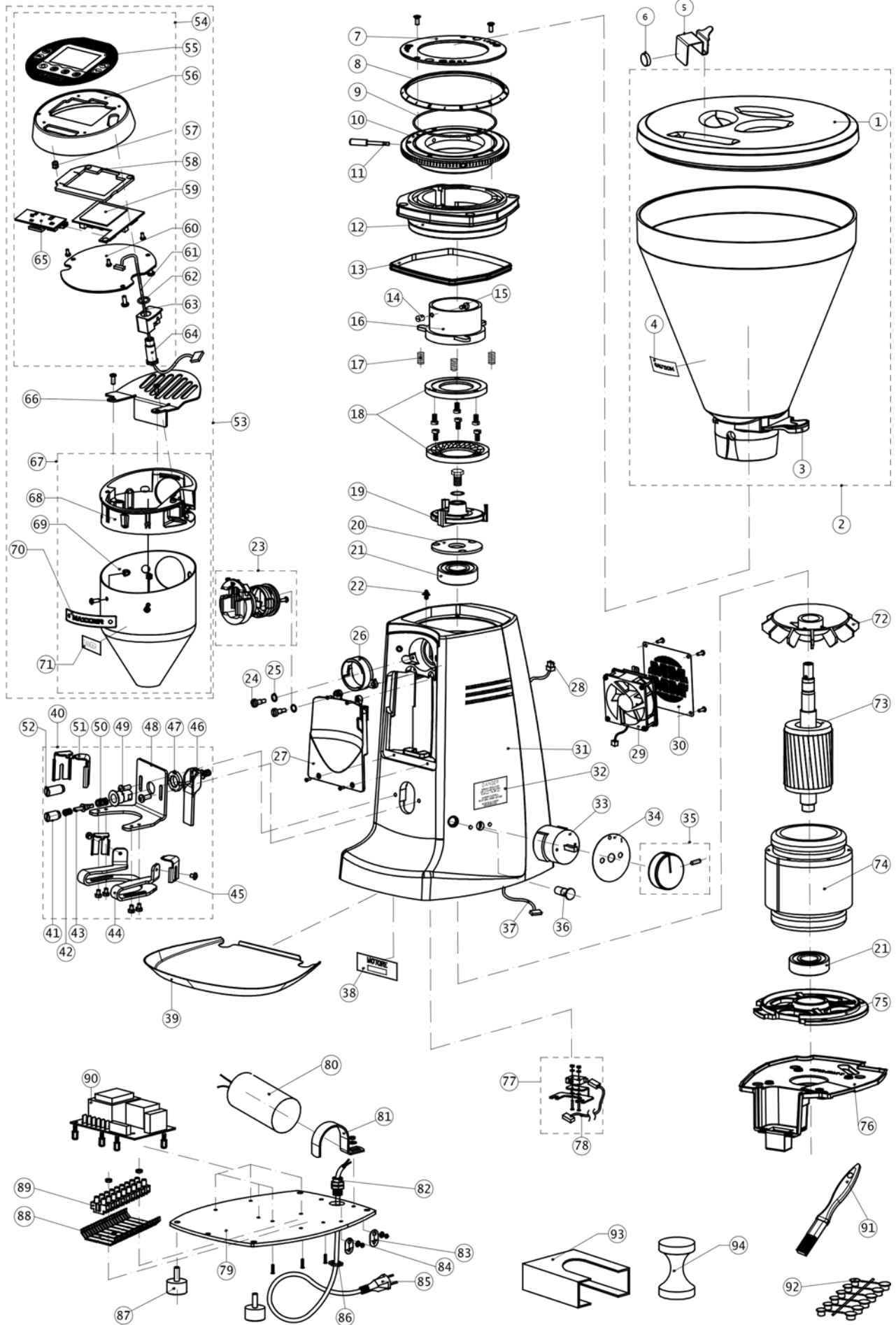


***EXPLODED VIEW VUE***  
***SUPER JOLLY V PRO ELECTRONIC***





For questions about parts, or to place an order over the phone, contact La Marzocco Solutions at 1-206-706-9104 ext 101. Orders can be emailed to parts.usa@lamarzocco.com

LM USA generated part numbers (M\*\*\*\*\*) and Mazzer factory numbers (S\*\*\*\*\*/\*\*Q) are used in this catalog.

Desc. No.	Part Number	Description
1	M28053002	Kony S hopper lid
2	SSJSCAE01/QQQ	HOPPER WITH LOCKING SLIDE FOR S.JOLLY V
3	SSJ0SEB01/QQQ	LOCKING SLIDE FOR S.JOLLY V HOPPER
4	S000ETA15/BQQ	LABEL: DANGER-HOPPER
5	SK00LAM01/QQQ	SHEET FOR DRIP TRAY LOCKING
6	S000MAG02/QQQ	MAGNET FOR TAG HOLDER
7	SSJ0DIS01/QQQ	PLATE FOR S.JOLLY V ADJUST. DISK
8	M28681/KS	Closing plate for grinding adj disk
9	M28680003	O-ring 2300 NBR70 for
10	M28158003	grinding adjustment disk
11	S00SPEA00/QQQ	GRINDING ADJUSTMENT DISK HANDLE
12	SSJ0POG03/QQQ	HOLDER FOR S.JOLLY V PRO GRIND.ADJ.DISK
13	M28684	Adjustment Disk Holder Gasket
14	SSJ0TEP01/QQQ	HEAD FOR S.JOLLY V HOPPER SAFETY PIN
15	SSJ0PEA02/QQQ	SAFETY PIN FOR S.JOLLY V HOPPER
16	SSJ0POA05/QQQ	S.JOLLY V UPPER GRINDING BLADE HOLDER
17	S000MOB14/AQQ	GRINDING ADJUSTMENT SPRING
18	M28213	33M Burrs, Super Jolly (233-M)
19	M28253	Super Jolly/Mini 'E' Lower Burr Holder
20	SSJ0COA03/QQQ	BEARING COVER FOR S.JOLLY V
21	M28057	Bearing, 6202
22	M28360022	Grinding Adjustment Index
23	SSJSINS01/QQQ	DUCT INSERT ASSEMBLY S.JOLLY V EL.
24	S000PEA22/QQQ	FIXING PIN FOR DUCT INSERT LOCKING
25	S000ANA23/QQQ	O-RING 2021 NBR70
26	S000BLB01/QQQ	DUCT INSERT LOCKING
27	SSJ0FRA05/QQQ	MOTOR COVER FOR S.JOLLY V
28	M28541	Connection cable for fan
29	S00SVEB05/QQQ	FAN 60X60 WITH PLASTIC SUPPORT
30	S000FIVM3/BQQ	FILTER FOR FAN 60X60
31	Not Available	
32	S000TAA21/QQQ	"DANGER" PLATE
33	M28161	Two Pole Rotative Switch, On/Off
34	M28161001	Switch Label - 0/1
35	M28166/RS	Aluminum Switch Knob w/ Insert

Desc. No.	Part Number	Description
36	M28258006/RS	Pilot LED Light, 110v, Red
37	M28702/WIRE	Connection cable for electronic board, Major V
38	Not Available	
39	S000PIB01/QQQ	KONY S DRIP TRAY
40	M28123010	Complete Portafilter Rest Assembl
41	S000PUB05/QQQ	SHORT CONTROL PIN
42	S000MOB18/QQQ	GRINDING ADJUSTMENT SPRING
43	S000PEA21/QQQ	FORK PIN
44	Not Available	
45	M28123001	Short Hook - Adjustable Portafilter Holder
46	S000LAM02/QQQ	SHEET FOR DRIP TRAY LOCKING
47	M28123007	Ring, M15 x 1
48	Not Available	
49	S000BOC18/QQQ	BUSH FOR MINI ELECTRONIC
50	S000MOB19/QQQ	GRINDING ADJUSTMENT SPRING
51	M28123002	Long Hook - Adjustable Portafilter Holder
52	S000PUB06/QQQ	LONG CONTROL PIN
53B	M28625	Display Board w/ WiFi
54B	M28625	Display Board w/ WiFi
55	M28610/RSM	Membrane for User Interface Equiped w/ TFT Display
56	S000COG06/AQQ	HOLDER FOR USER INTERFACE WITH TFT DISPL
57	S000PRS02/QQQ	PLASTIC SPRING PLUNGER D. 6
58	S000GUA10/AQQ	ANTI DUST GASKET TFT DISPLAY
59	S000SCD01/AQQ	TFT DISPLAY BOARD WITH FRAME
60	S000FOC02/QQQ	BOTTOM FOR PUSH BUTTON LID
61	M28620/WIRE	Connection cable for display board
62	S000ANA20/QQQ	O-RING 2043 NBR70
63	S000BLA01/QQQ	HINGE HOUSING FOR USER INTERFACE WITH TF
64	S000PEA18/QQQ	HINGE PIN FOR USER INTERFACE WITH TFT DI
65	M28620/RS	WiFi Board User Interface Equiped w/ TFT Display
66	S000PRB08/QQQ	STEEL COFFEE OUTLET GUARD ELECTR.
67	S00SIMB06/QQQ	FUNNEL ASSEMBLY S.JOLLY V EL
68	S000ANI02/QQQ	MJ V / SJ V ELECTRONIC FUNNEL RING
69	S000IMB11/QQQ	S.JOLLY V ELECTRONIC FUNNEL
70	S000TAA23/QQQ	4M PLATE
71	S000ETA14/BQQ	LABEL: DANGER
72	SSJ0VEA01/QQQ	S.JOLLY V COOLING FAN
73	Not Available	
74	Not Available	
75	Not Available	
76	SSJ0PRA01/QQQ	WIRING PROTECTION S.JOLLY V
77	S00SMIA17/QQQ	START MICROSW.FOR SJ V PR/RO S COMPLETE
78	S000CON14/QQQ	CONNECTION CABLE FOR MICROSWITCH
79	SSJ0PIE02/QQQ	S.JOLLY V PRO EL BOTTOM PLATE
80	M19056	CAPACITOR 30 MF U.L.

Desc. No.	Part Number	Description
81	M50066	Capacitor Locking Clamp
82	M30020	Cable Locking, Black
83	Not Available	
84	M28902	GROUND PLATE
85	M30022	Power Cable
86	M30021	Nut for Cable Locking
87	P000PIA07/QQQ	FOOT DD2515H ZINC-COATED
88	M28904	"Under" Terminal Blocks
89	M28903	Terminal Blocks
90	M28702	Power Board 100-120v
91	M28685	Cleaning Brush
92	S00SCAP01/QQQ	KIT OF CAPS FOR GRINDING ADJUSTMENT DISK
93	M28860	Tamping Stand
94	M28251	Tamper Press, Diameter 57.5mm

Adapted from Mazzer catalog ESSVELE 01.00 03.2021 by La Marzocco USA.

MAZZER LUIGI S.p.a  
VIA MOGLIANESE, 113  
30037 GARDIGIANO DI SCORZE' (VE)  
ITALIA  
mazzер.com/en/

LA MARZOCCO USA LLC  
1553 NW BALLARD WAY  
SEATTLE, WA 98107  
USA  
lamarzoccousa.com