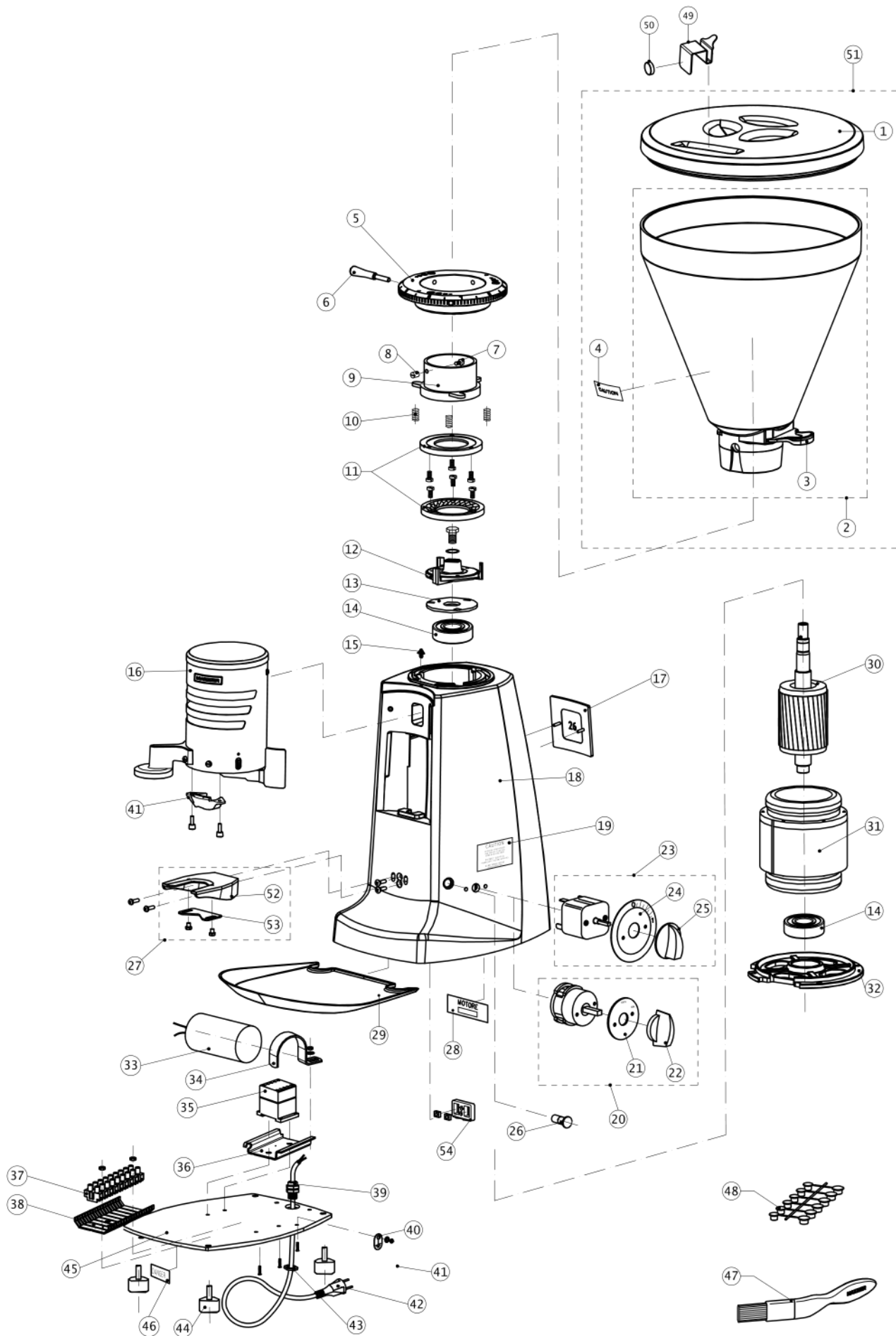


EXPLODED VIEW
SUPER JOLLY V UP (doser model)





For questions about parts, or to place an order over the phone, contact La Marzocco Solutions at 1-206-706-9104 ext 101. Orders can be emailed to parts.usa@lamarzocco.com

LM USA generated part numbers (M*****) and Mazzer factory numbers (S*****/**Q) are used in this catalog.

Desc. No.	Part Number	Description
1	M28053002	HOPPER COVER KONY S
2	SSJSCAE01/QQQ	HOPPER WITH LOCKING SLIDE FOR S.JOLLY V
3	SSJ0SEB01/QQQ	LOCKING SLIDE FOR S.JOLLY V HOPPER
4	S000ETA15/BQQ	LABEL: DANGER-HOPPER
5	Not Available	
6	M28360012	GRINDING ADJUSTMENT DISK HANDLE
7	SSJ0PEA02/QQQ	SAFETY PIN FOR S.JOLLY V HOPPER
8	SSJ0TEP01/QQQ	HEAD FOR S.JOLLY V HOPPER SAFETY PIN
9	SSJ0POA05/QQQ	S.JOLLY V UPPER GRINDING BLADE HOLDER
10	M28233	GRINDING ADJUSTMENT SPRING
11	M28213	Mazzer 33M Burrs, Super Jolly (233-M)
12	M28253	Mazzer Super Jolly/Mini 'E' Lower Burr Holder
13	SSJ0COA03/QQQ	BEARING COVER FOR S.JOLLY V
14	M28057	Mazzer Bearing, 6202 (Swift)
15	M28360022	Mazzer Grinding Adjustment Index (Kony S, Major V)
16	S00SGRD13/QCQ	MAN. DOSER WITH FUNNEL D.57,5 ALUMINUM
17	S000TAA26/QQQ	MAZZER 4M PLATE
18	Not Available	
19	S000TAA20/QQQ	CAUTION PLATE
20A	M28161	Mazzer Two Pole Rotative Switch, On/Off
20B	M28166	Mazzer Two Pole Rotative Switch+ Aux On/Off/Start
21	M28161001	Mazzer Switch Label - 0/1
22	M28166/K	ROTATIVE SWITCH KNOB
23	S000TIA02/AQQ	TWO POLE TIMER SWITCH
24	Not Available	
25	M28162/K	TIME SWITCH KNOB
26	M28258006/RS	PILOT LED LIGHT 110V RED
27	S00SFOB07/QQQ	P.A.F. HOLDER FORK FOR DOSER FUNNEL
28	Not Available	
29	S000PIB02/QQQ	JOLLY V UP DRIP TRAY
30	Not Available	
31	SSJSPAA04/AQQ	SJ COILED STATOR-SINGLE PH.110/60/1 ETL
32	Not Available	
33	M19056	Mazzer Capacitor 30 uF
34	M50066	Mazzer Capacitor Locking Clamp
35	S000COC20/QQQ	CONTACTOR BG09.10 110V 60HZ

Desc. No.	Part Number	Description
36	S000BC000/QQQ	RAIL FOR CONTACTOR
37	M28903	Mazzer Terminal Blocks
38	M28904	Mazzer "Under" Terminal Blocks
39	M30020	Mazzer Cable Locking, Black
40	M28902	Mazzer Ground Plate
41	S000CNV01/QQQ	FUNNEL FOR DOSER
42	M30022	Mazzer Power Cable
43	M30021	Mazzer Nut for Cable Locking
44	P000PIA07/QQQ	FOOT DD2515H ZINC-COATED PIED
45	Not Available	
46	S000ETA14/BQQ	LABEL: DANGER
47	M28685	Mazzer Cleaning Brush
48	S00SCAP01/QQQ	SHEET FOR DRIP TRAY LOCKING PLAQUE
49	SK00LAM01/QQQ	SHEET FOR DRIP TRAY LOCKING PLAQUE
50	S000MAG02/QQQ	MAGNET FOR TAG HOLDER
51	SSJSCAE03/QQQ	S.JOLLY V HOPPER + COVER _ USA
52	Not Available	
53	Not Available	
54	S000PIA24/QQQ	NUTS CAGE FOR ADJ. PAF HOLDER FOR DOSER

Adapted from Mazzer catalog ESSJUPD 01.00 09.2022 by La Marzocco USA.

MAZZER LUIGI S.p.a
VIA MOGLIANESE, 113
30037 GARDIGIANO DI SCORZE' (VE)
ITALIA
mazzer.com/en/

LA MARZOCCO USA LLC
1553 NW BALLARD WAY
SEATTLE, WA 98107
USA
lamarzoccousa.com