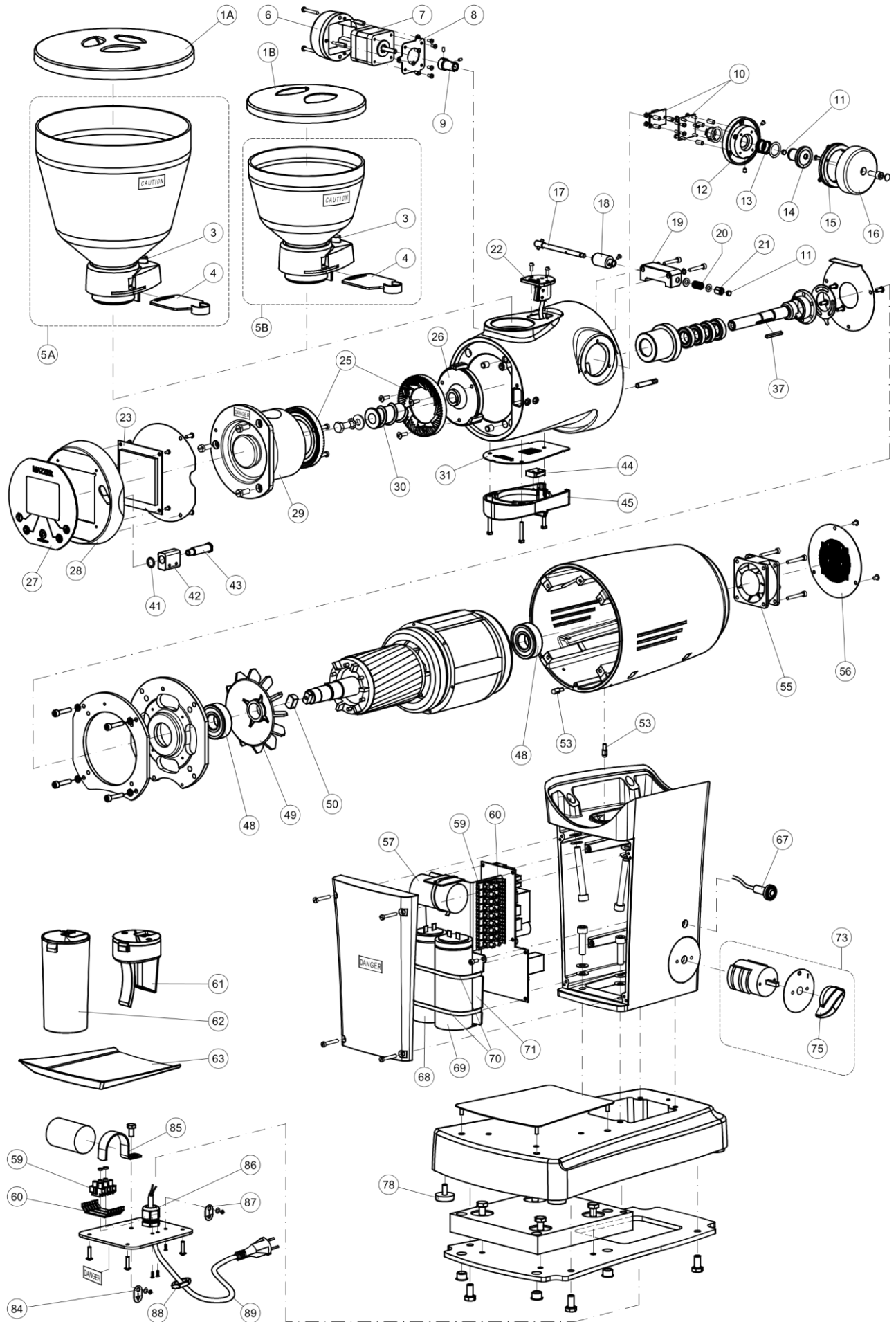


EXPLODED VIEW

ZM





For questions about parts, or to place an order over the phone, contact La Marzocco Solutions at

1-206-706-9104 ext 101. Orders can be emailed to parts.usa@lamarzocco.com

Desc. No.	Part Number	Description
1A	M28053	Hopper Lid
1B	M28054009	Mini / Lux / ZM Hopper Lid
3	M28360020	Hopper Collar Locking Pivot, ZM
4	M28326010	Locking Collar Slide
5A	M50041	Hopper, 1.3 kgs, ZM filter
5B	M50040	Hopper, 320 grams, ZM Filter
6	M50011	ZM Stepper Motor Cap
7	M50010	Stepper Motor, ZM Filter
8	M50012	ZM Stepper Motor Fixing Plate
9	M50013	ZM Stepper Motor Joint
10	M29009	ZM Encoder Board
11	M29010	Magnet D6X2,5
12	M29011	ZM Knob Support
13	M29002	Kold Knob Return Spring
14	M29012	ZM Knob Axle
15	M29013	ZM Knob Ring
16	M29014	ZM Knob
17	M30023	ZM Worm Screw Axle
18	M30024	ZM Worm Screw
19	M30002	Worm Screw Axle Support
20	M30025	ZM Adjustment Spring
21	M30026	ZM Worm Screw Locking Nut
22	M50051	Hopper Microswitch, ZM Filter
23	M50020	ZM Filter, Display Board
25	M28217	151-F Burrs, ZM (Default)
25	M28217/T	Titanium 151-F Burrs, ZM
25	M28216	151-B Burrs Major Trifase
25	M28216/T	Titanium 151-B Burrs MajorTrifase
26	M28253/ZM	ZM Rotating Grinding Blade Holder
27	M28610/ZM	ZM Push Button Adhesive Membrane
28	M28652	ZM Display Lid
29	M28360030/ZM	ZM Fixed Grinding Blade Holder
30	M50001	ZM Filter Propeller
31	M50052	ZM Protection
37	M28254	3 x 3 x 30 Key
41	M50060	O-Ring
42	M50061	ZM Hinge Housing
43	M50062	ZM Hinge Pin
44	M50050	Bayonet Microswitch, ZM Filter
45	M50053	ZM Bayonet Fitting
48	M28063	Bearing, 6204

Desc. No.	Part Number	Description
49	M30019	Cooling Fan, Robur, Kold, ZM
50	M50002	Cap, ZM Filter
53	M50063	ZM Motor Carter Alignment Pin
55	M.1.029	Fan 60x60 - Wired
56	M28530/ZM	Fan Filter for ZM
57	M28346	New Style, Relay for Robur / Kold
59	M28904	"Under" Terminal Blocks
60	M28903	Terminal Blocks
61	M28501	ZM Bag Holder
62	M50003	Canister, ZM filter
63	TRAY/ZM	ZM DRIP TRAY
67	M28258006	Pilot Light, 110V UL, Red
68	M19058	Capacitor 60 uF
69	M19060	Capacitor 80 uF
70	M50064	Strap 360X4,8 Black
71	M50065	ZM System Plate
72	M28701	On Demand Board, Lux, ZM
73	M28161	Two Pole Rotative Switch, On/Off
75	M28166/K	Knob for M28161 & M28166 Switches
78	M28258/Z	Foot, ZM Filter
84	M28905	External Unipotential Clamp, Plate
85	M50066	Capacitor Locking Clamp
86	M30020	Cable Locking, Black
87	M28902	Ground Plate
88	M30021	Nut for Cable Locking
89	M30022	Power Cable

Adapted from Mazzer catalog ESZM000 04.00-08.2023 by La Marzocco USA.

MAZZER LUIGI S.p.a
VIA MOGLIANESE, 113
30037 GARDIGIANO DI SCORZE' (VE)
ITALIA
mazzер.com/en/

LA MARZOCCO USA LLC
1553 NW BALLARD WAY
SEATTLE, WA 98107
USA
lamarzoccousa.com