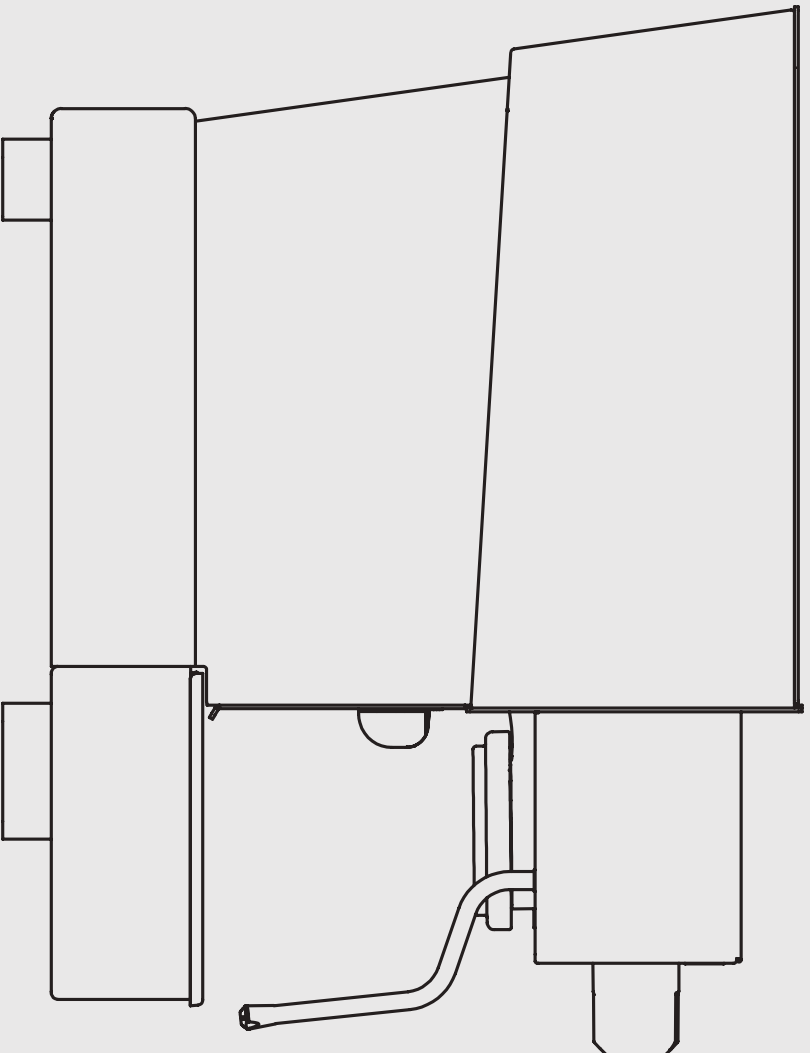


parts catalog linea classic s







la marzocco
handmade in florence

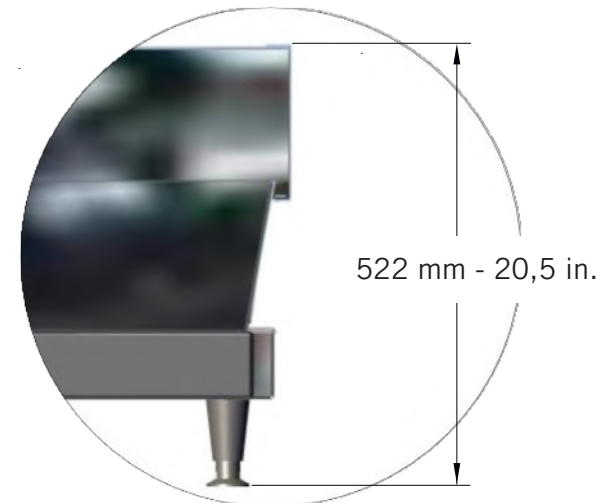
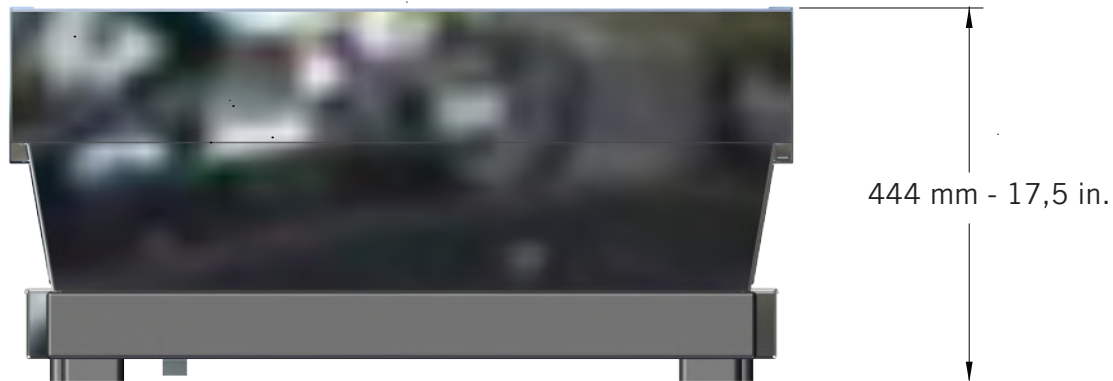
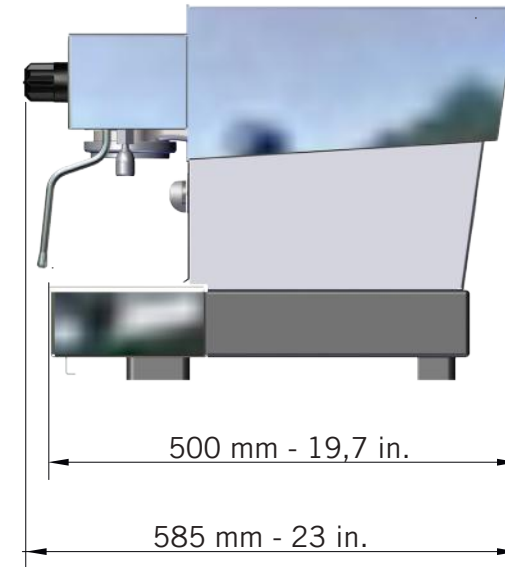
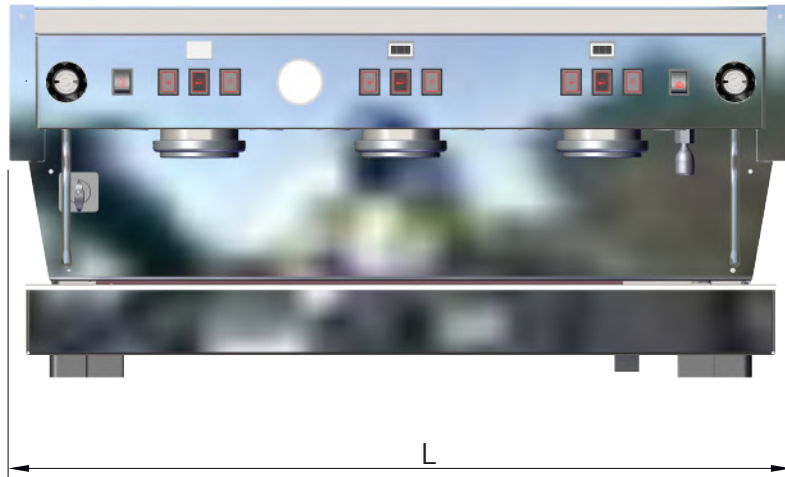
INDEX

	Pag.	Ver.
BODY PANEL ASSEMBLY	6	1.0
CONTROL PANEL ASSEMBLY	12	
STEAM WAND ASSEMBLY	14	
AUTOSTEAM ASSEMBLY	18	
HYDRAULIC ASSEMBLY	20	
FITTINGS AND VALVES	22	
COFFEE BOILER - GROUP	24	
COFFEE BOILER ASSEMBLY	30	
COFFEE BOILER - GROUP CAP	32	
STEAM BOILER ASSEMBLY	34	
ELECTRICAL SYSTEM	38	
CUPWARMER HEATING ASSEMBLY	40	
HEATING ELEMENTS	42	
ELECTRICAL SYSTEM AND PUMP	46	
PORTAFILTER ASSEMBLY	48	
SCALE VERSION - PORTAFILTER ASSEMBLY	52	
HOSES AND ACCESSORIES	54	



la marzocco
handmade in florence

SPECIFICATIONS





la marzocco

handmade in florence

SPECIFICATIONS

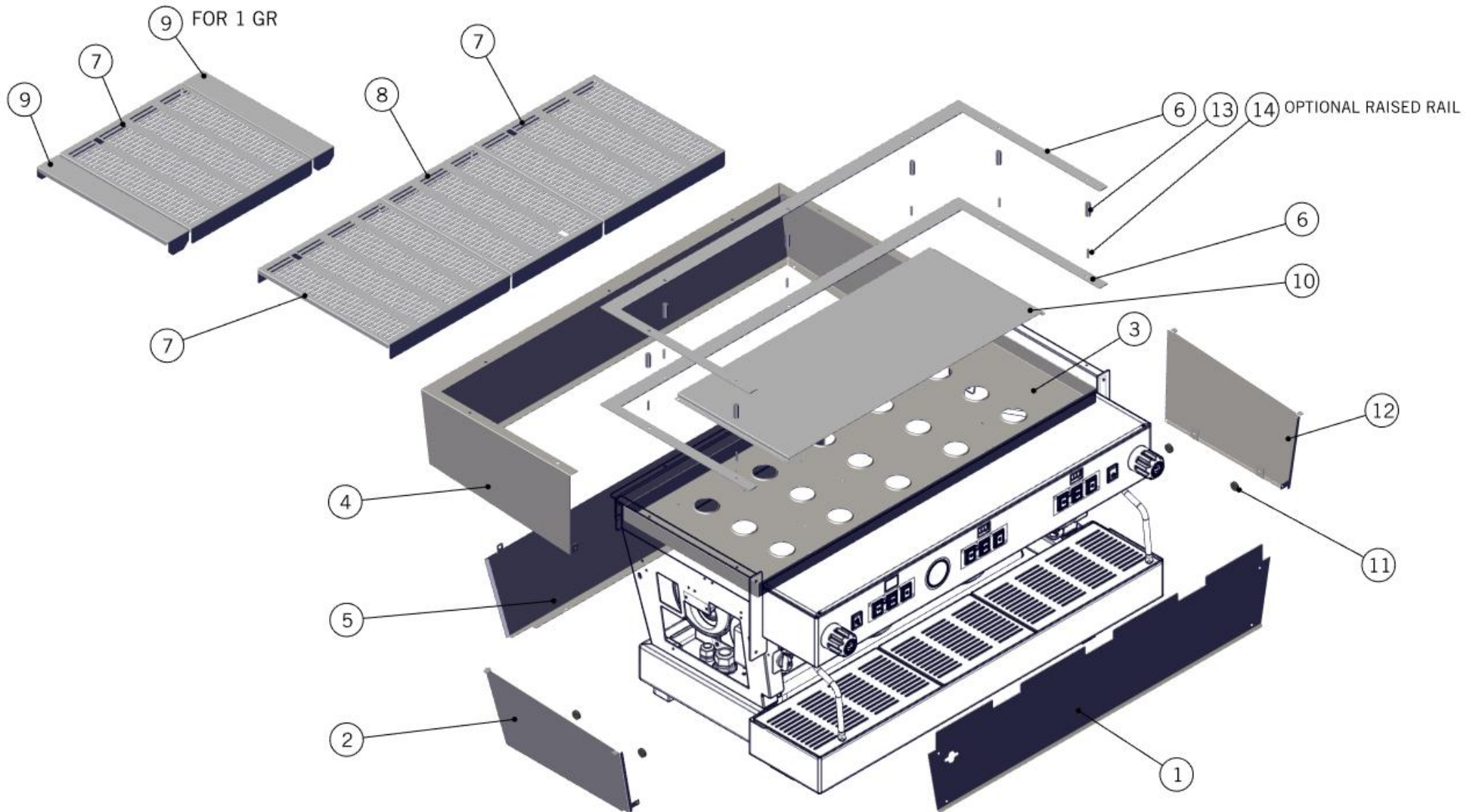
Caratteristiche Tecniche	L1	mm	493	693	933	1173
		in	20	28	37	46
	Machine weight	Kg	41	59	73	107
		lb	90	130	164	236
	Electrical Voltage	VAC	200VAC Single Phase/3 Phase	200VAC Single Phase/3 Phase	200VAC Single Phase/3 Phase	200VAC Single Phase/3 Phase
			220VAC Single Phase/3 Phase	220VAC Single Phase/3 Phase	220VAC Single Phase/3 Phase	220VAC Single Phase/3 Phase
			380VAC Three Phase	380VAC Three Phase	380VAC Three Phase	380VAC Three Phase
	Coffee Boiler Wattage Low	W	1000 Watts	1400 Watts	1600 Watts	2800 Watts
	High	W	1000 Watts	1400 Watts	1900 Watts	2800 Watts
	Steam Boiler Wattage Low	W	1300 Watts	2000 Watts	3000 Watts	3800 Watts
	High	W	1300 Watts	3000 Watts	4000 Watts	5000 Watts
	Total Wattage	W	2500 Watts	3600/4600 Watts	4800/6100 Watts	6800/8000 Watts
	Required Available Amperage <i>(can vary depending on machine's configuration)</i>	A	15 amps (15 for Australia)	25 amps (20 for Australia)	35 amps (32 for Australia)	45 amps (40 for Australia)
	Coffee Boiler Capacity	liters	1,8	3,4	5,0	6,8
Steam Boiler Capacity (liters)	liters	3,5	7,0	11,0	15,0	
Total Capacity (liters)	liters	5,3	10,4	16,0	21,8	
Machine configuration		1GR	2GR	3GR	4GR	



la marzocco

handmade in florence

BODY PANEL ASSEMBLY





la marzocco

BODY PANEL ASSEMBLY

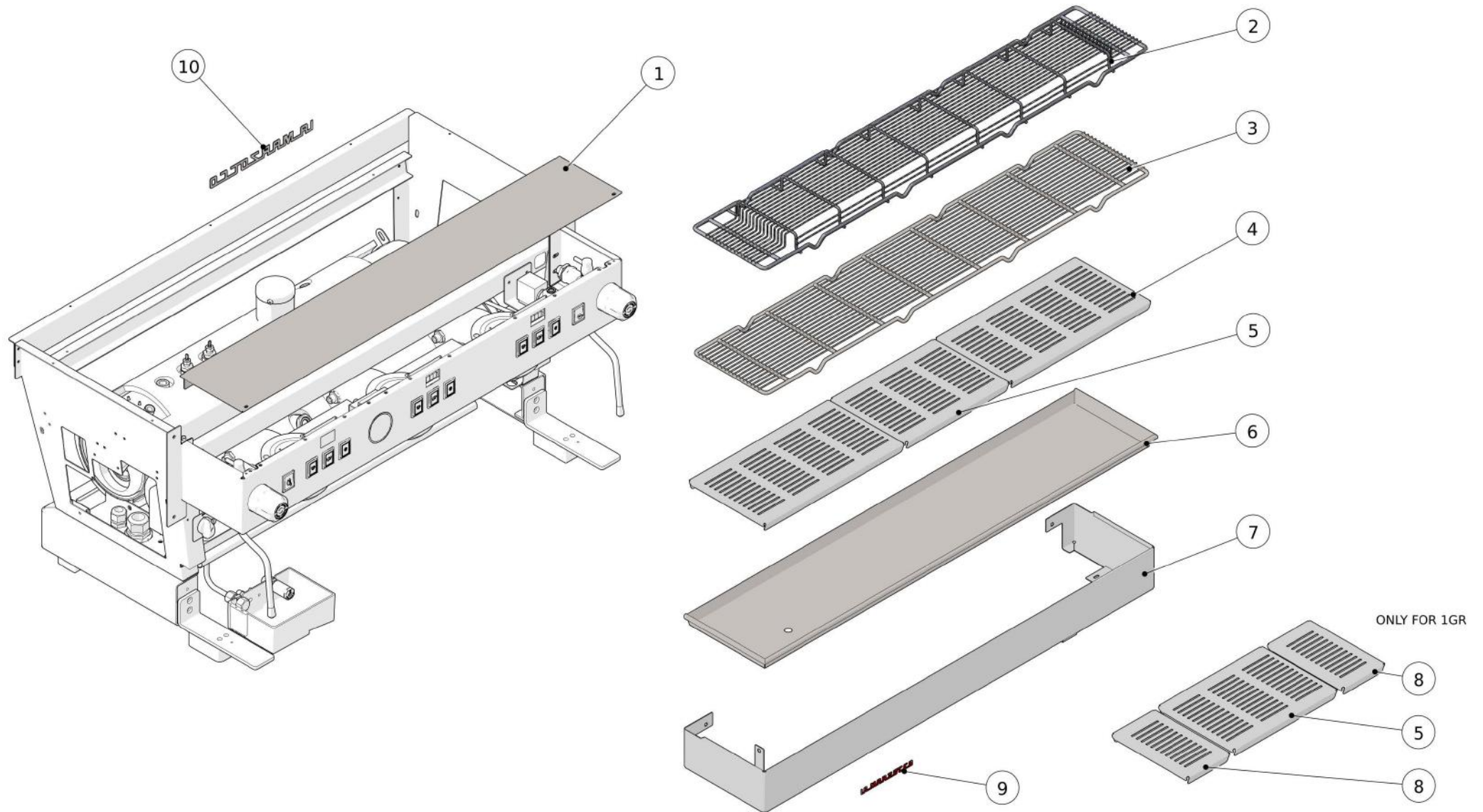
Carrozeria

Item	Part number/Codice	Description	Descrizione
1	C.1.580.1	PANEL MAIN SWITCH LINEA 1GR S	PANN. INTERR. GENERALE LINEA 1GR S
	C.1.580.2	PANEL MAIN SWITCH LINEA S 2GR	PANN. INTERR. GENERALE LINEA S 2GR
	C.1.580.3	PANEL MAIN SWITCH LINEA S 3GR	PANN. INTERR. GENERALE LINEA S 3GR
	C.1.580.4	PANEL MAIN SWITCH LINEA S 4GR	PANN. INTERR. GENERALE LINEA S 4GR
2	C.1.622.SX	PANEL LEFT SIDE LCS	FIANCATA SINISTRA LCS
3	CL19/1.01	TRAY CUPWARMER LINEA CLASSIC 1GR W/PEM	VASSOIO SCALDATAZZE LINEA 1GR C/PEM
	CL19/2.01	TRAY CUPWARMER LINEA CLASSIC 2GR W/PEM	VASSOIO SCALDATAZZE LINEA 2GR C/PEM
	CL19/3.01	TRAY CUPWARMER LINEA CLASSIC 3GR W/PEM	VASSOIO SCALDATAZZE LINEA 3GR C/PEM
	CL19/4.01	TRAY CUPWARMER LINEA CLASSIC 4GR W/PEM	VASSOIO SCALDATAZZE LINEA 4GR C/PEM
4	C.1.623.1	SHEET SUPERIOR REAR LINEA 1GR S	LAMIERA SUP. POST. LINEA 1GR S
	C.1.623.2	SHEET SUPERIOR REAR LINEA 2GR S	LAMIERA SUP. POST. LINEA 2GR S
	C.1.623.3	SHEET SUPERIOR REAR LINEA 3GR S	LAMIERA SUP. POST. LINEA 3GR S
	C.1.623.4	SHEET SUPERIOR REAR LINEA 4GR S	LAMIERA SUP. POST. LINEA 4GR S
5	C.1.624.1	PANEL BACK LINEA 1GR S	PANNELLO POSTERIORE LINEA 1GR S
	C.1.624.2	PANEL BACK LINEA 2GR S	PANNELLO POSTERIORE LINEA 2GR S
	C.1.624.3	PANEL BACK LINEA 3GR S	PANNELLO POSTERIORE LINEA 3GR S
	C.1.624.4	PANEL BACK LINEA 4GR S	PANNELLO POSTERIORE LINEA 4GR S
6	C.1.625.1	COVER CUPWARMER LCS 1GR	CORNICE SCALDATAZZE LCS 1GR
	C.1.625.2	COVER CUPWARMER LCS 2GR	CORNICE SCALDATAZZE LCS 2GR
	C.1.625.3	COVER CUPWARMER LCS 3GR	CORNICE SCALDATAZZE LCS 3GR
	C.1.625.4	COVER CUPWARMER LCS 4GR	CORNICE SCALDATAZZE LCS 4GR
7	C.1.585	GRID CUPWARMER 316MM LCS	GRIGLIA SCALDATAZZE 316MM LCS
8	C.1.584	GRID CUPWARMER 238MM LCS	GRIGLIA SCALDATAZZE 238MM LCS
9	C.1.635	GRID CUPWARNER 55MM LCR	GRIGLIA SCALDATAZZE 55MM LCR
10	C.1.629.2	CUPWARMER COVER LCS 2GR	COPERTURA SCALDATAZZE LCS 2GR
	C.1.629.3	CUPWARMER COVER LCS 3GR	COPERTURA SCALDATAZZE LCS 3GR
	C.1.629.4	CUPWARMER COVER LCS 4GR	COPERTURA SCALDATAZZE LCS 4GR
11	F.9.004.R	MAGNET KIT	KIT MAGNETE PER RICAMBI
12	C.1.622.DX	PANEL RIGHT SIDE LCS	FIANCATA DESTRA LCS
13	C.1.663	CUPTRAY SUPPORT LCS	SUPPORTO RINGHIERA LCS
14	I.1.173	GRANO M4x16 UNI5923 INOX	GRANO M4x16 UNI5923 INOX



la marzocco
handmade in florence

BODY PANEL ASSEMBLY





la marzocco

handmade in florence

BODY PANEL ASSEMBLY

Carrozzeria

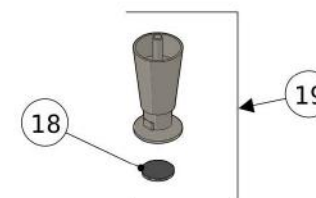
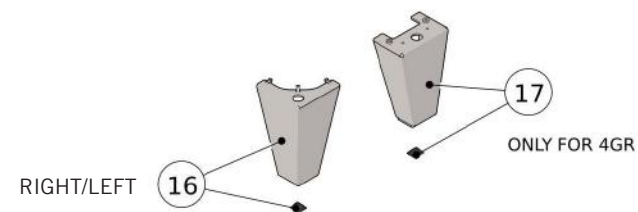
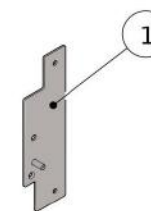
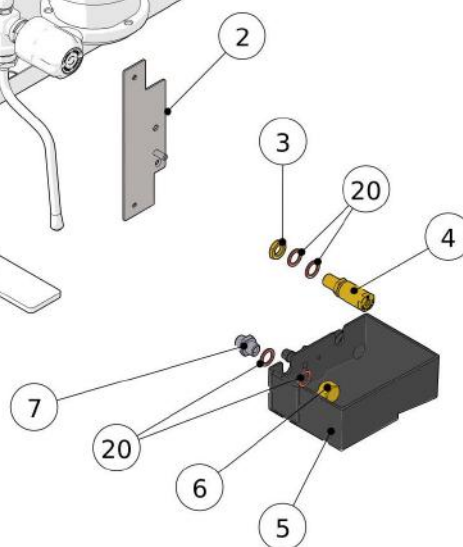
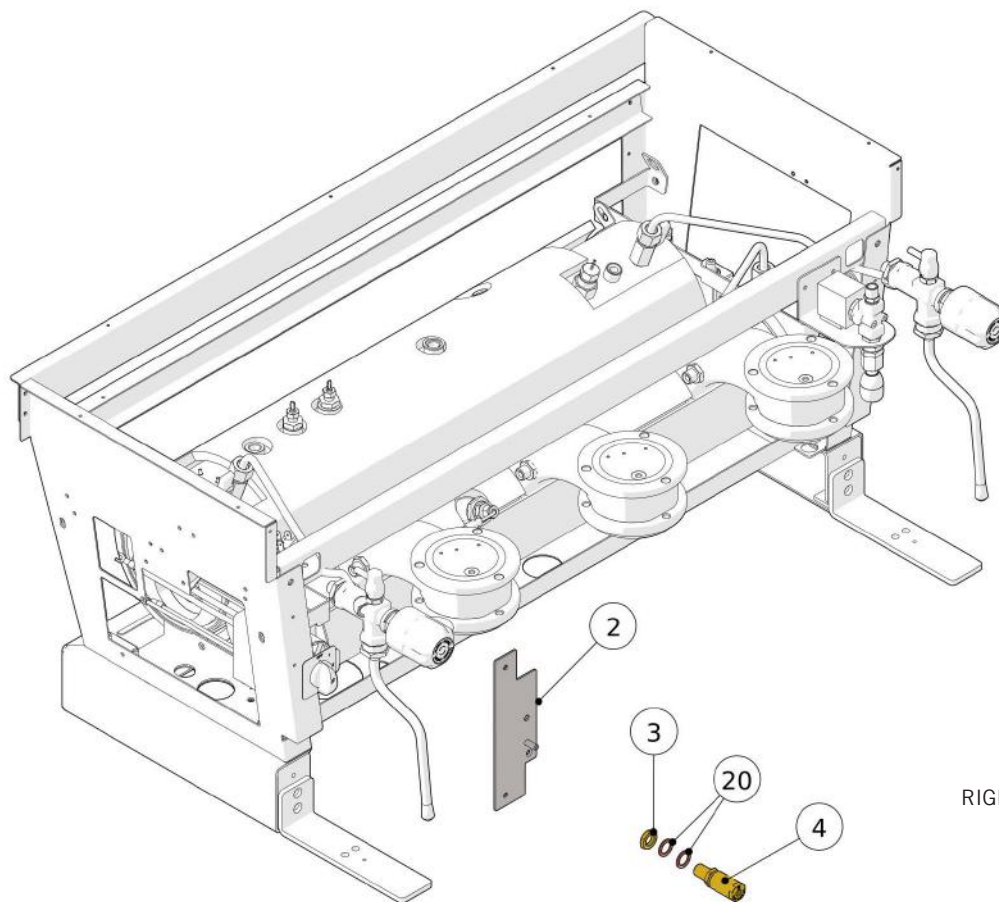
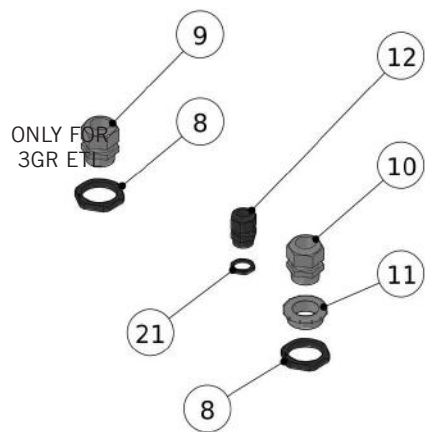
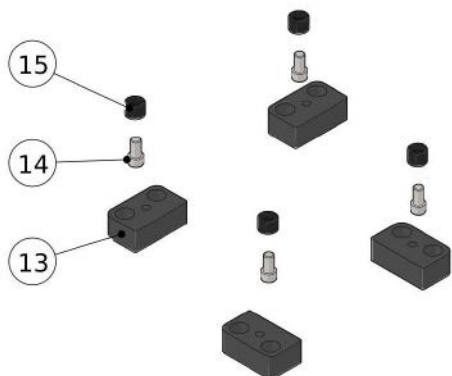
1	C.1.575.1	COVER GROUP LINEA S 1GR	COPERTURA GRUPPI LINEA S 1GR
	C.1.575.2	COVER GROUP LINEA S 2GR	COPERTURA GRUPPI LINEA S 2GR
	C.1.575.3	COVER GROUP LINEA S 3GR	COPERTURA GRUPPI LINEA S 3GR
	C.1.575.4	COVER GROUP LINEA S 4GR	COPERTURA GRUPPI LINEA S 4GR
2	C.1.611.2	WIRE GRID LOW CUPS LINEA R. 2GR	GRIGLIA A FILO C/RIALZO LINEA R. 2GR
	C.1.611.3	WIRE GRID LOW CUPS LINEA R. 3GR	GRIGLIA A FILO C/RIALZO LINEA R. 3GR
	C.1.611.4	WIRE GRID LOW CUPS LINEA R. 4GR	GRIGLIA A FILO C/RIALZO LINEA R. 4GR
3	C.1.610.2	WIRE GRID LINEA RESTYLING 2GR	GRIGLIA A FILO LINEA RESTYLING 2GR
	C.1.610.3	WIRE GRID LINEA RESTYLING 3GR	GRIGLIA A FILO LINEA RESTYLING 3GR
	C.1.610.4	WIRE GRID LINEA RESTYLING 4GR	GRIGLIA A FILO LINEA RESTYLING 4GR
4	C.1.583	GRID DRAIN 321MM LCS	GRIGLIA SCARICO 319MM LCS
5	C.1.582	GRID DRAIN 240MM LCS	GRIGLIA SCARICO 240MM LCS
6	C.1.586.1.01	TRAY DRAIN LCS 1GR	BACINELLA LCS 1GR
	C.1.586.2.01	TRAY DRAIN LCS 2GR	BACINELLA LCS 2GR
	C.1.586.3.01	TRAY DRAIN LCS 3GR	BACINELLA LCS 3GR
	C.1.586.4.01	TRAY DRAIN LCS 4GR	BACINELLA LCS 4GR
7	C.1.574.1	FRONT BASE COVER LCS 1GR	COPERTURA FRONTALE BACINELLA LINEA 1GR
	C.1.574.2	FRONT BASE COVER LCS 2GR	COPERTURA BACINELLA LINEA LCS 2GR
	C.1.574.3	FRONT BASE COVER LCS 3GR	COPERTURA FRONTALE BACINELLA LCS 3GR
	C.1.574.4	FRONT BASE COVER LCS 4GR	COPERTURA FRONTALE BACINELLA LCS 4GR
8	C.1.636	GRID DRAIN 99MM LCS	GRIGLIA SCARICO 99MM LCS
9	D.4.047	RED LOGO LCS	
10	D.4.046	LA MARZOCCO LOGO LCS	
Item	Part number/Codice	Description	Descrizione



la marzocco

handmade in florence

BODY PANEL ASSEMBLY





la marzocco

handmade in florence

BODY PANEL ASSEMBLY

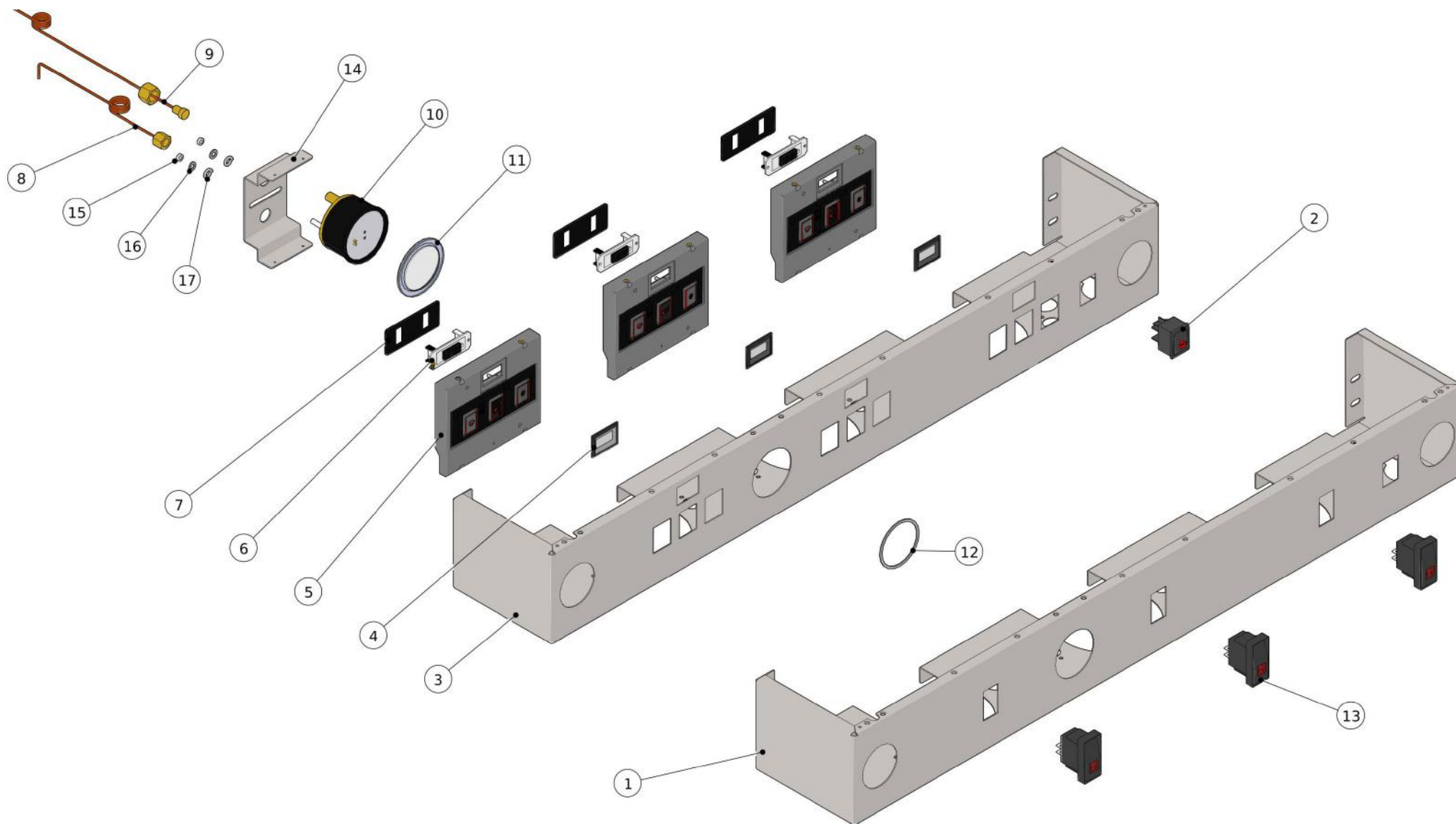
Carrozzeria	1	C.1.593.DX	CORNER HIGH RIGHT LINEA CLASSIC S	ANGOLARE ALTO DX LINEA CLASSICA S
	2	C.1.593.SX	CORNER HIGH LEFT LINEA CLASSIC S	ANGOLARE ALTO SX LINEA CLASSICA S
	3	L146	NUT G1/4 H4,5 WR19 BRASS	DADO G1/4 H4,5 CH19 OTTONE
	4	L140_C	COMPLETE EXPANSION VALVE	VALVOLA ESPANSIONE COMPLETA
	5	F.1.210	LINEA DRAIN BOX	POZZETTO DI SCARICO LINEA
	6	L037/3R	BREAK-DRAIN FOR SOLENOID VALVE	ROMPIGETTO ES.19 MM.
	7	L037/3.01	NIPPLE G1/4M-G1/4M WR19 H25.5 BRASS TR.	NIPPLO G1/4M-G1/4M CH19 H25.5 OT. TR.
	8	I.6.008	NUT CORD GRIPS PG29	DADO PRESSACAVO PG29
	9	E.4.130	CORD GRIPS PG29 W/NUT	PRESSACAVO PG29 C/GHIERA
	10	L322/G	CORD GRIPS PG21	PRESSACAVO PG21
	11	F.1.097	REDUCER CORD GRIPS PG29	RIDUTTORE PRESSACAVO PG29
	12	L322/P	CORD GRIPS PG13,5	PRESSACAVO PG13,5
	13	CL001.01	RUBBER FOOT LEFT/RIGHT	ZOCCOLINO IN GOMMA DX/SX
	14	I.1.090	SCREW M10X20 SOCKET CAP S/S A2	VITE M10X20 TC A BRUGOLA INOX
	15	F.1.005	PVC FOOT SUPPORTS DM.21 GB5	SUPPORTI PIEDINI PVC DM.21 GB5
	16	C.1.369.R	HIGH LEG NEW MODEL LINEA CLASSIC+RUBBER	GAMBA ALTA NUOVA+GOMMINO LINEA CLASSICA
	17	C.1.370.R	HIGH LEG 4GR NEW MODEL LINEA CL.+RUBBER	GAMBA ALTA NUOVA+GOMMINO 4GR LINEA CL.
	18	CL001/1G	HIGH LEG RUBBER PAD	GOMMINI PER GAMBE ALTE
	19	CL001/1G.R	HIGH LEG + RUBBER PAD	GAMBE ALTE + GOMMINI
	20	L100/1A	WASHER 13,5X19X1,5 COPPER	RONDELLA 13,5X19X1,5 RAME
	Item	Part number/Codice		Description



la marzocco

handmade in florence

CONTROL PANEL ASSEMBLY





la marzocco

handmade in florence

CONTROL PANEL ASSEMBLY

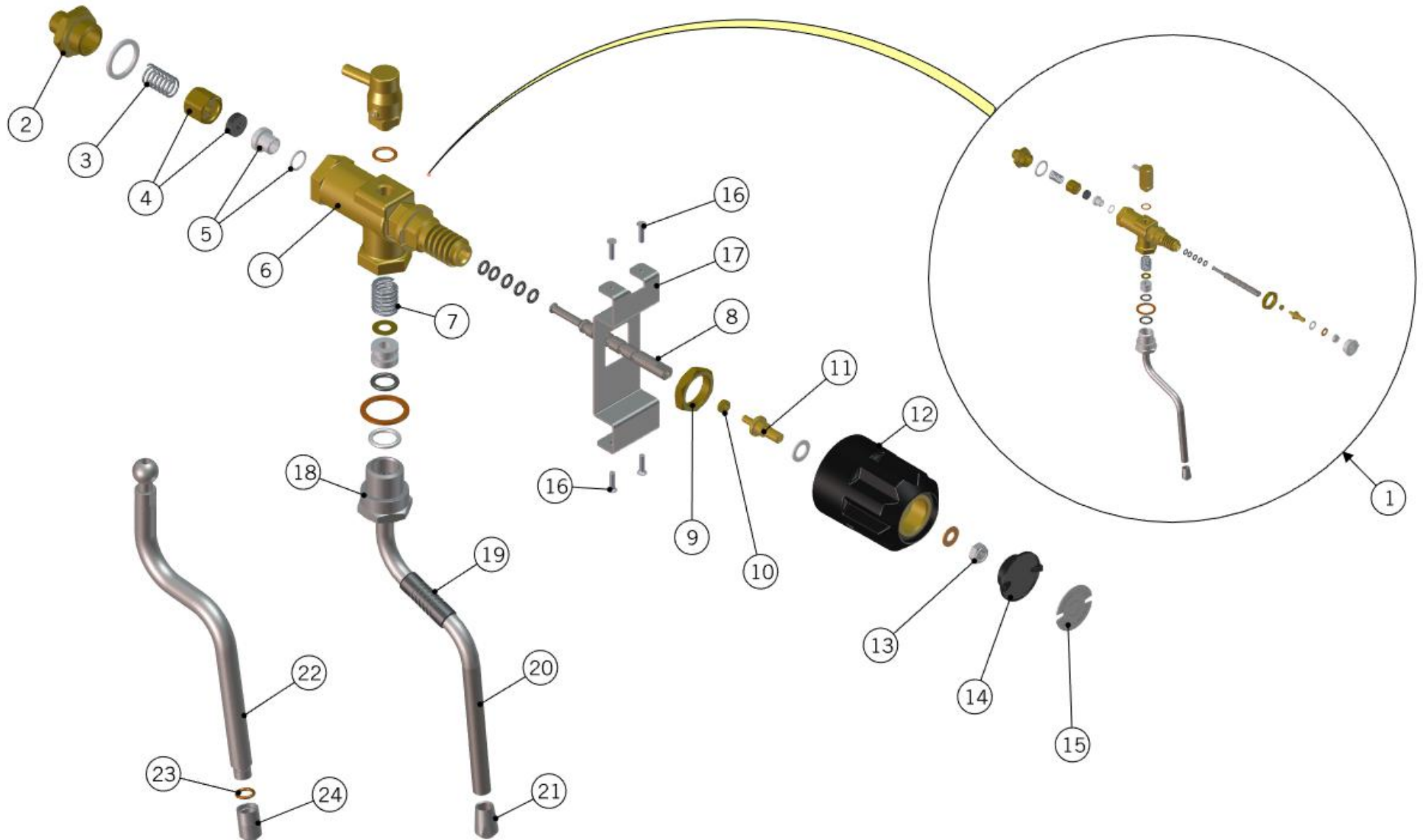
Pannello di Controllo

1	C.1.579.1	PANEL BUTTONS LINEA S 1EE	PANN. COMANDI LINEA S 1EE
	C.1.579.2	PANEL BUTTONS LINEA S 2EE	PANN. COMANDI LINEA S 2EE
	C.1.579.3	PANEL BUTTONS LINEA S 3EE	PANN. COMANDI LINEA S 3EE
	C.1.579.4	PANEL BUTTONS LINEA S 4EE	PANN. COMANDI LINEA S 4EE
2	E.2.103	BUTTON HOT WATER LCS	PULSANTE ACQUA CALDA LCS
3	C.1.578.1	PANEL BUTTONS LINEA S 1AV	PANN. COMANDI LINEA S 1AV
	C.1.578.2	PANEL BUTTONS LINEA S 2AV	PANN. COMANDI LINEA S 2AV
	C.1.578.3	PANEL BUTTONS LINEA S 3AV	PANN. COMANDI LINEA S 3AV
	C.1.578.4	PANEL BUTTONS LINEA S 4AV	PANN. COMANDI LINEA S 4AV
4	F.1.211	GLASS DISPLAY OLED LCS	VETRINO DISPLAY OLED LCS
5	E.2.101	KEYPAD 3 BUTTONS BLACK RED LED LCS	PULSANTIERA 3 TASTI NERI LED ROSSO LCS
6	E.2.105	DIGIT GICAR CLASSIC LINE	DIGIT GICAR LINEA CLASSICA
7	F.1.206	DISPLAY BACK COVER LCS	COPERCHIO SCATOLA DISPLAY LCS
8	TL11/234	TUBE PRESSURE GAUGE - COFFEE B. 2-3-4GR	TUBO MANOMETRO - C.CAFFE 2-3-4GR
9	TL10	TUBE PRESSURE GAUGE - STEAM BOILER	TUBO MANOMETRO - CALDAIA VAPORE
10	E.3.029	PRESSURE GAUGE 0-3 0-18 WHITE LCS	MANOMETRO 0-3 0-18 BIANCO LCS
11	F.1.214	GLASS PRESS.GAUGE LCS	VETRINO MANOMETRO A FILO LCS
12	F.3.152	CIRCULAR CROWN PRESS. GAUGE LCS	CORONA CIRCOLARE MANOMETRO LCS
13	E.2.104	SWITCH EE LINEA CLASSIC S	TASTO EE LINEA CLASSICA S
14	C.1.613	BRACKET PRESS. GAUGE LCS	
15	DADOINOXM4	NUT M4 H3 WR7 S/S A2	
16	I.1.039	WASHER 5,4X10X1 S/S A2	
17	I.1.087	SPLIT WASHER 6X11X1,5 S/S A2	
Item	Part number/Codice	Description	Descrizione



la marzocco
handmade in florence

STEAM WAND ASSEMBLY





la marzocco

handmade in florence

STEAM WAND ASSEMBLY

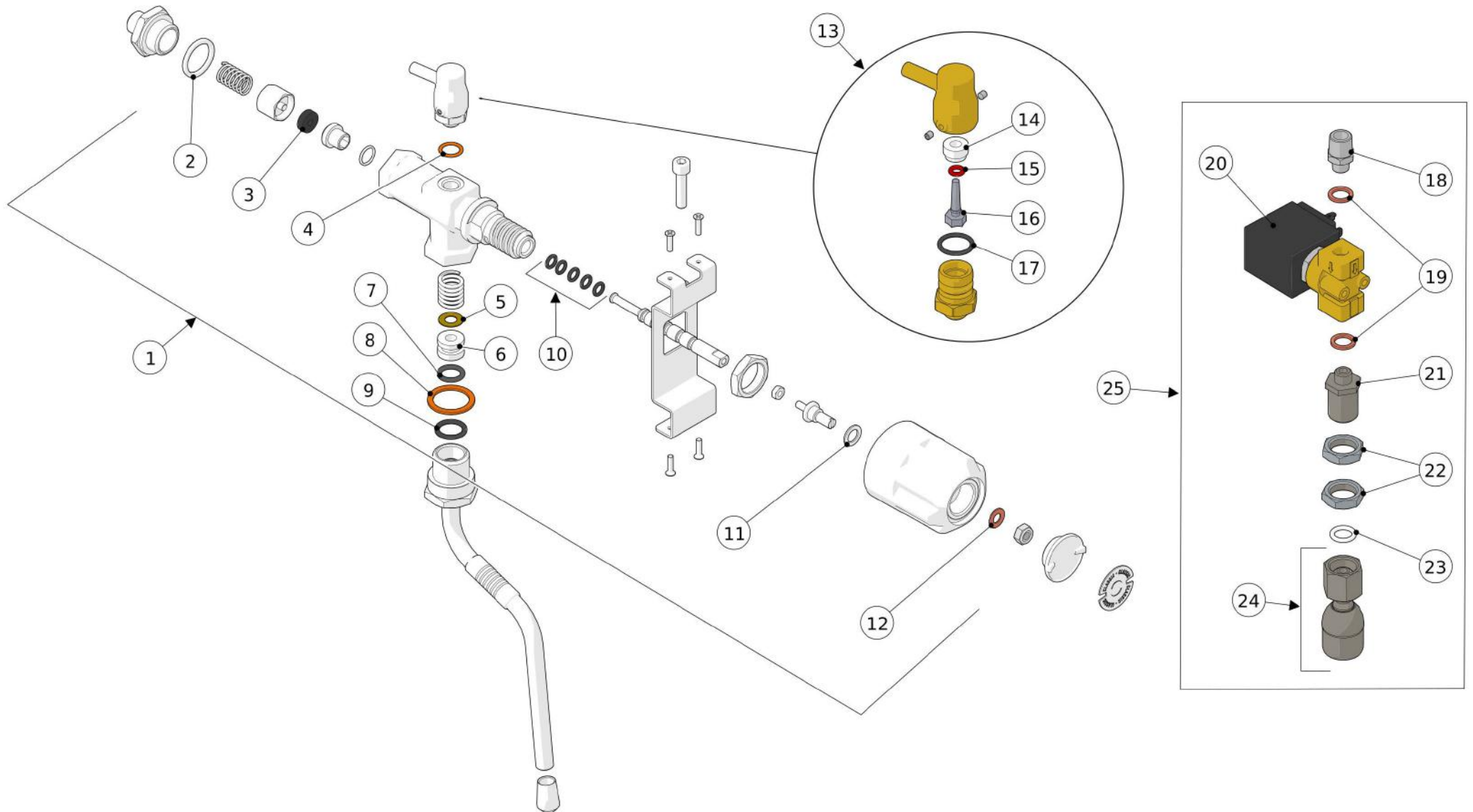
Lancia - Rubinetto Vapore

1	B.1.008.R	LINEA PB STEAM VALVE COMPL.	RUBINETTO VAPORE LINEA PB COMPLETO
2	A.2.027	FITTING G1/4M-W19M WR26 BRASS TR.	RACCORDO RUB. G1/4M-W19M CH26 OTTONE TR.
3	F.3.005	SPRING COMPRESSION 1,3X11,9X29,5 S/S	MOLLA A COMPRESSIONE 1,3X11,9X29,5 INOX
4	B.2.010	STEAM VALVE SEAL ASSEMBLY	ASSIEME TENUTA RUBINETTO VAPORE
5	F.3.007.R	S/S STEAM VALVE SEAT W/ GASKET	SEDE AISI 316 PER RUB. CON GUARINZIONE
6	A.1.024	LINEA PB STEAM VALVE BODY	CORPO RUB. VAP. LINEA PB
7	F.3.004	SPRING COMPRESSION 2X14,6X26,5 S/S	MOLLA A COMPRESSIONE 2X14,6X25 INOX
8	A.5.018	LINEA PB STEAM VALVE SHAFT	ASTA RUB. VAP. LINEA PB
9	L037/D	NUT G1/2 H6 WR24 BRASS	DADO G1/2 H6 CH24 OTTONE
10	DADO4M	NUT M4 H3 WR7 BRASS	DADO M4 H3 CH7 OTTONE
11	A.1.022	STEAM VALVE SHAFT EXTENSION	PROLUNGA ASTA RUBINETTO VAPORE
12	F.1.207	STEAM VALVE KNOB LCS	MANOPOLA RUBINETTO VAPORE LCS
13	I.1.046	SELF LOCK NUT M6 H5 WR10 S/S A2	DADO AUTOBLOCCANTE M6 H5 CH10 INOX A2
14	F.1.208	CAP M20X1,5 KNOB STEAM VALVE LCS	TAPPO M20X1,5 MANOPOLA VAPORE LCS
15	D.4.048	STEAM VALVE KNOB COVER LCS	PLACCHETTA MANOPOLA VAPORE LCS
16	I.1.045	SCREW M3X12 PHILLIPS COUNTERSUNK S/S A2	VITE M3X12 TS A CROCE INOX A2
17	C.1.608	BRACKET STEAM VALVE LINEA LCS	STAFFA RUBINETTO VAPORE LINEA LCS
18	A.1.005	STEAM WAND ADAPTOR	RACC. 1/2 PER TUBO VAP GB/5
19	L171/G	STEAM WAND RUBBER	GOMMINO ANTISCOTTAT. TUBO VAP.
20	T.2.001	STEAM WAND S/S	LANCIA VAPORE INOX
21	L173	STEAM TIP D1,5	SPRUZZATORE VAPORE D1,5
22	T.2.013	STEAM WAND S SHAPE PRO TOUCH	LANCIA VAPORE FORMA AD S PRO TOUCH
23	H.1.027	O-RING 1,78x7,65 VITON 70 ShA	O-RING 1,78x7,65 VITON 70 ShA
24	A.5.050	STEAM TIP PRO TOUCH D1,5	SPRUZZATORE VAPORE PRO TOUCH D1,5
Item	Part number/Codice	Description	Descrizione



la marzocco
handmade in florence

STEAM WAND ASSEMBLY





la marzocco

handmade in florence

STEAM WAND ASSEMBLY

Lancia - Rubinetto Vapore

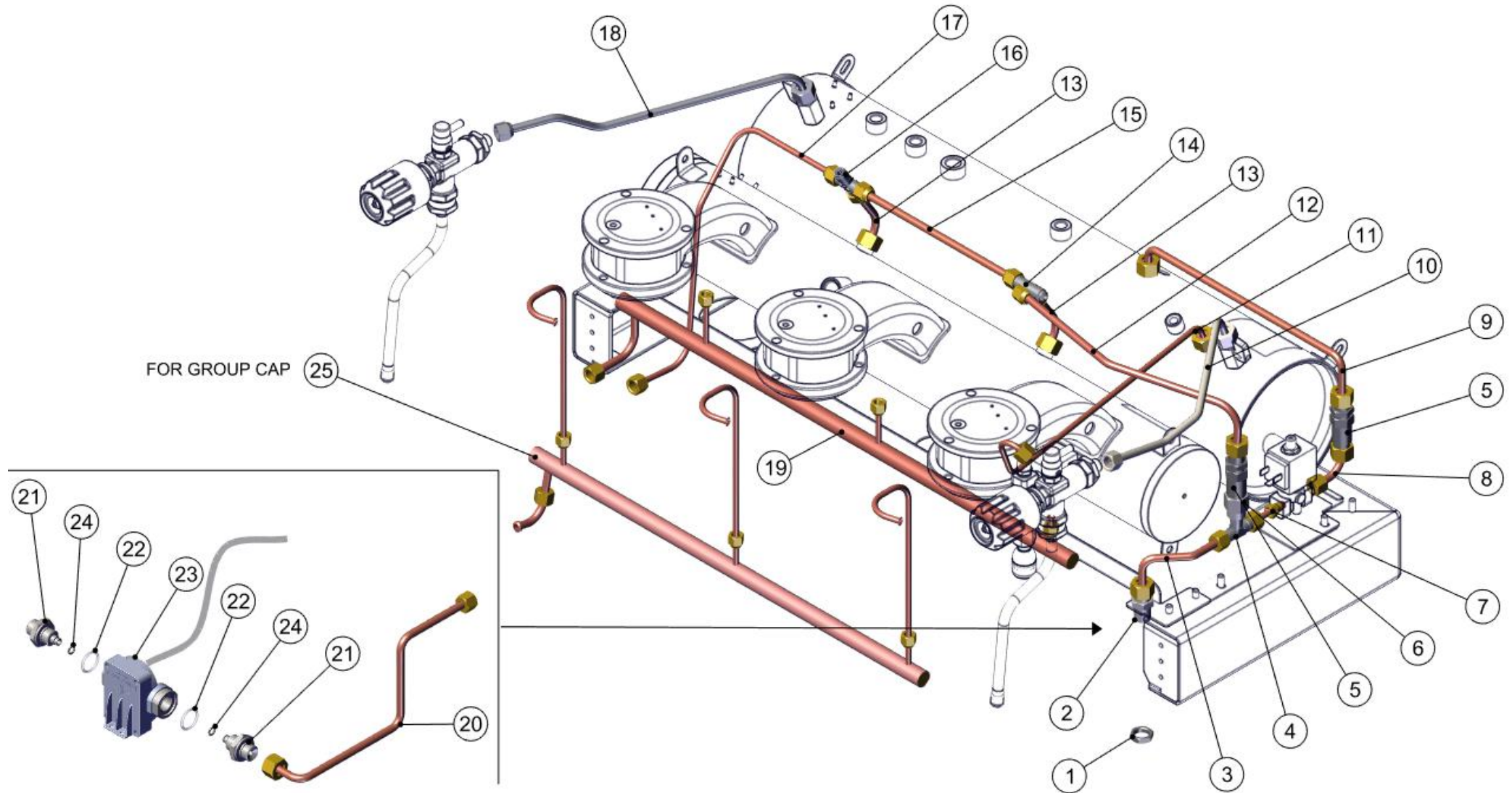
1	B.1.001.02.K2	REBUILD KIT STEAM VALVE GB5 / PB	KIT MANUTENZIONE RUBINETTO VAPORE GB5/PB
2	A.2.027	FITTING G1/4M-W19M WR26 BRASS TR.	RACCORDO RUB. G1/4M-W19M CH26 OTTONE TR.
3	H.2.001	STEAM VALVE SEAL GASKET	GUARNIZIONE TENUTA RUBINETTO VAP.
4	B.1.001.TR	SPECIAL WASHER 10X14X1,6 COPPER	RONDELLA SPECIALE 10X14X1,6 RAME
5	I.1.170	WASHER 8X14X0,5 S/S A2	RONDELLA 8X14X0,5 INOX A2
6	H.2.003	PTFE STEAM WAND SEAL	GUARN. PTFE PER SNODO TUBO VAP
7	H.1.004	O-RING 2,62X10,77 EPDM 70 ShA	O-RING 2,62X10,77 EPDM 70 ShA
8	L260/1A	WASHER 21X27X1,5 COPPER	RONDELLA 21X27X1,5 RAME
9	H.1.044	O-RING 2,62x12,37 PTFE	O-RING 2,62x12,37 PTFE
10	H.1.005	O-RING 1,90x4,90 FKM 70 ShA	O-RING 1,90x4,90 FKM 70 ShA
11	F.1.033	PTFE WASHER D13mm	RONDELLA TEFLON DIA 13 X RUB VAP
12	L120/2A	WASHER 6,3X12X1 COPPER	RONDELLA 6,3X12X1 RAME
13	L192.03	VACUUM BREAKER VALVE G1/8M W/SWIVEL BODY	V. ANTI-DEPRES. G1/8M C/CORPO GIREVOLE
14	B.3.001	BUSHING FLANGED 5X9X6,5 PTFE	BOCCOLA FLANGIATA 5X9X6,5 PTFE
15	F.2.019	O-RING 1,78x3,68 SILICONE 70 ShA	O-RING 1,78x3,68 SILICONE 70 ShA
16	B.2.013.01	ANTI-SUCTION VALVE SHAFT TREATED	ALBERINO V. ANTIRISUCCHIO TRATTATA
17	H.1.028	O-RING 1,78X12,42 EPDM 70 SH	O-RING 1,78X12,42 EPDM 70 SH
18	L053/1.02	NIPPLE R1/8M-R1/4M WR14 BRASS TR.	NIPPLO R1/8M-R1/4M CH14 OTTONE TR.
19	L100/D	WASHER 10X14X1,5 COPPER	RONDELLA 10X14X1,5 RAME
20	L053.02	SOLENOID VALVE 2 WAY 220/240V	ELETTROVALVOLA 2 VIE 220/240V
	L053/200.01	SOLENOID VALVE 2 WAY 200V	ELETTROVALVOLA 2 VIE 200V
21	L053/2.01	FITTING G3/8M-G1/8M H31,5 TR.	RACCORDO G3/8M-G1/8M H31,5 TR.
22	L183/1.01	NUT G3/8 H6 WR21 BRASS TREATED	DADO G3/8 H6 CH21 OTT. TRATTATO
23	L169/A1	PTFE GASKET 10x2,5	GUARNIZIONE TEFLON FA 112
24	L160.02	HOT WATER WAND S/S G3/8F W/DIFFUSER	LANCIA TE INOX G3/8F C/DIFFUSORE
25	L053/C	VALV ACQUA CALDA COMPL. LINEA/FB70 220	VALV ACQUA CALDA COMPL. LINEA/FB70 220
	L053/C200	HOT WATER VALVE COMPLETE 200V FB70/LINEA	VALVOLA ACQUA CALDA COMP 200V FB70/LINEA
Item	L053/C200	HOT WATER VALVE COMPLETE 200V FB70/LINEA	VALVOLA ACQUA CALDA COMP 200V FB70/LINEA



la marzocco

handmade in florence

HYDRAULIC ASSEMBLY





la marzocco

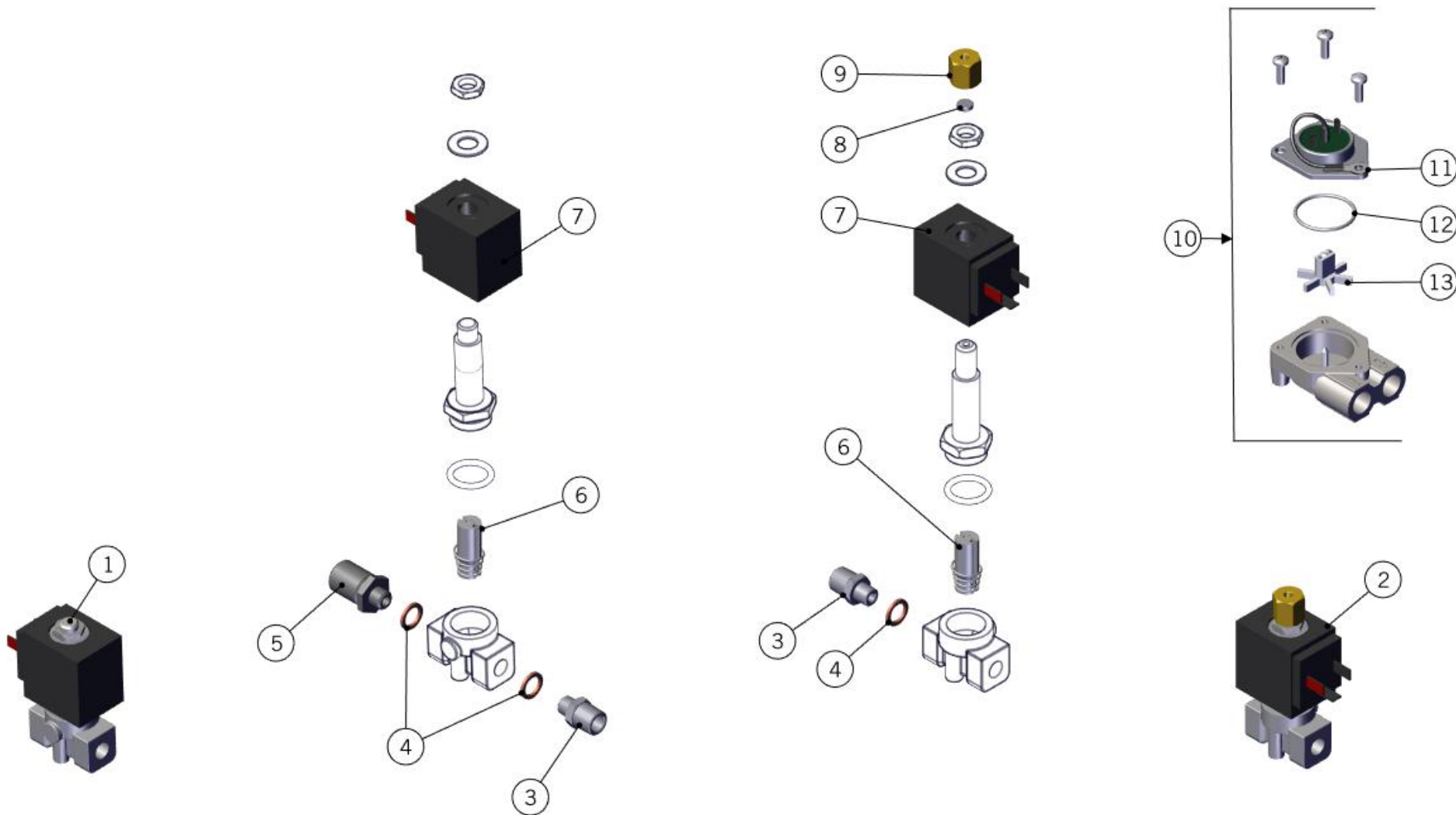
handmade in florence

HYDRAULIC ASSEMBLY

Impianto Idraulico

1	L183/1.01	NUT G3/8 H6 WR21 BRASS TREATED	DADO G3/8 H6 CH21 OTT. TRATTATO
2	A.5.020	NIPPLE G3/8M-G3/8M WR21 H38 S/S	NIPPLO G3/8M-G3/8M CH21 H38 INOX
3	T.1.293	TUBE WATER INLET LINEA CLASSICA S	TUBO INGRESSO ACQUA LINEA CLASSICA S
4	A.2.002.01	TEE FITTING R1/4M WR13 BRASS TREATED	RACCORDO A T R1/4M CH13 OTTONE TRATT.
5	L032/P.01	CHECK VALVE G3/8M TREATED	VALVOLA DI RITEGNO G3/8M TRATTATA
6	A.2.004.01	FITTING G1/4F-G3/8F WR22 BRASS TREATED	RACCORDO G1/4F-G3/8F CH22 OTTONE TRATT.
7	T.1.002	SOLENOID VALVE T TUBE	TUBO T - EV RIEMP.
8	T.1.157	TUBE CHECK V.-AUTOFILL SOLENOID V.	TUBO V.RITEGNO - EV RIEMPIMENTO LINEA PB
9	TL05/234	TUBE CHECK VALVE - STEAM BOILER 2-3-4 GR	TUBO V.RITEGNO - CALDAIA VAPORE 2-3-4 GR
10	T.1.295	TUBE STEAM B. - RIGHT STEAM VALVE TR.	TUBO C.VAPORE - RUB. VAP. DX TRATT.
11	TL08/234	TUBE STEAM BOILER - HOT WATER S.V.	TUBO CALDAIA VAPORE - EV ACQUA CALDA
12	T.1.153	TUBE CHECK VALVE - COFFEE B. TEE FITTING	TUBO VALVOLA RITEGNO - T CALDAIA CAFFE'
13	TL06	TUBE CROSS FITTING - COFFEE BOILER	TUBO CROCIERA - CALDAIA CAFFE'
14	L128.01	TEE FITTING G1/4M WR13 BRASS TREATED	RACCORDO A T G1/4M CH13 OTTONE TRATTATO
15	TL05/3	TUBE CROSS FITTING CONNECTION 3GR	TUBO COLLEGAMENTO CROCIERE 3GR
16	L129.01	CROSS FITTING G1/4M WR13 BRASS TREATED	RACCORDO A CROCE G1/4M CH13 OTTONE TR.
17	T.1.154	TUBE COFFEE BOILER - EXPANSION VALVE	TUBO CALDAIA CAFFE' - VALVOLA ESPANSIONE
18	TL13.01	TUBE STEAM BOILER - STEAM VALVE TREATED	TUBO C.VAPORE - RUBINETTO VAPORE TRATT.
19	T.1.294.2	DRAIN TUBE SV 2AV LINEA CLASSIC S	TUBO SCARICO EV 2AV LINEA CLASSICA S
	T.1.294.3	DRAIN TUBE SV 3AV LINEA CLASSIC S	TUBO SCARICO EV 3AV LINEA CLASSICA S
	T.1.294.4	DRAIN TUBE SV 4AV LINEA CLASSIC S	TUBO SCARICO EV 4AV LINEA CLASSICA S
20	T.1.296	TUBE WATER PROBE - WATER INLET	TUBO SONDA ACQUA - ENTRATA ACQUA
21	A.5.138.01	FITTING G3/8M H30 WR27 S/S	RACCORDO G3/8M H30 CH27 INOX
22	H.1.033	O-RING 2,62X18,72 SILICONE 70 SH	O-RING 2,62X18,72 SILICONE 70 SH
23	E.1.069	SONDA ACQUA 12V	SONDA ACQUA 12V
24	H.1.006	O-RING 1,78x6,07 VITON	O-RING 1,78x6,07 VITON
25	T.1.021.2	DRAIN TUBE SV 2AV GB5	TUBO SCARICO EV 2AV GB5
	T.1.021.3	DRAIN TUBE SV 3AV GB5	TUBO SCARICO EV 3AV GB5
	T.1.021.4	DRAIN TUBE SV 4AV GB5	TUBO SCARICO EV 4AV GB5
Item	Part number/Codice	Description	Descrizione

FITTINGS AND VALVES





la marzocco

handmade in florence

FITTINGS AND VALVES

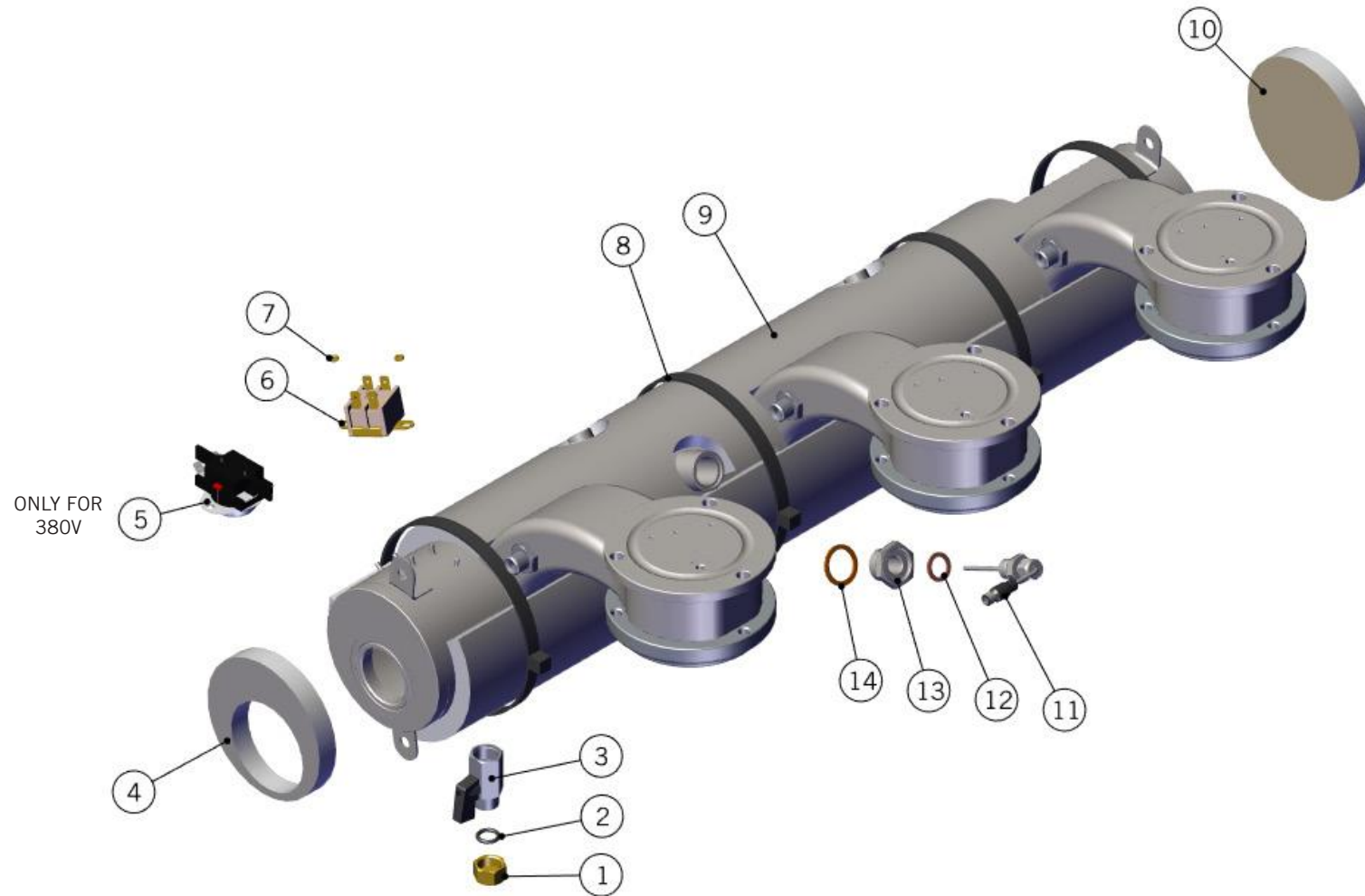
Raccordi e Valvole

1	L053.02	SOLENOID VALVE 2 WAY 220/240V	ELETTROVALVOLA 2 VIE 220/240V
	L053/200.01	SOLENOID VALVE 2 WAY 200V	ELETTROVALVOLA 2 VIE 200V
2	L100/E.02	SOLENOID VALVE 3 WAY 220/240V	ELETTROVALVOLA 3 VIE 220/240V
	L100/E200.01	SOLENOID VALVE 3 WAY 200V	ELETTROVALVOLA 3 VIE 200V
3	A.5.156	NIPPLE G1/8M-G1/4M WR17 S/S	NIPPLO G1/8M-G1/4M CH17 INOX
4	L100/D	WASHER 10X14X1,5 COPPER	RONDELLA 10X14X1,5 RAME
5	L053/2.01	FITTING G3/8M-G1/8M H31,5 TR.	RACCORDO G3/8M-G1/8M H31,5 TR.
6	L100/H	PLUNGER SOLENOID VALVE 3 WAY VITON	NUCLEO ELETTROVALVOLA 3 VIE VITON
7	L100/G.01	SV COIL 220-240V 8W UL CSA VDE	BOBINA EV 220-240V 8W UL CSA VDE
	L100/G200	SOLENOID COIL 200V	BOBINA PER ELETTROVALVOLA 200V
8	L134/4	FERRULE BLIND 8X4 TREATED	GHIANDINA CIECA 8X4 TRATTATO
9	L134	FITTING G1/8F H14 WR14 D4 BRASS	RACCORDO G1/8F H14 CH14 D4 OTTONE
10	LAD070.01	FLOW METER	CONTATORE VOLUMETRICO UL/NSF
11	LAD070/S.01	LID W/CABLE FIELD SENSOR FLOWMETER	TESTA CONTATORE VOLUMETRICO C/CAVO
12	LAD070/S1	O-RING 2X28 FLOWMETER SILICONE 70ShA	O-RING 2X28 CONT. VOL. SILICONE 70ShA
13	LAD070/V	IMPELLER FLOWMETER	GIRANTE CONTATORE VOLUMETRICO
Item	Part number/Codice	Description	Descrizione



la marzocco
handmade in florence

COFFEE BOILER - GROUP





la marzocco

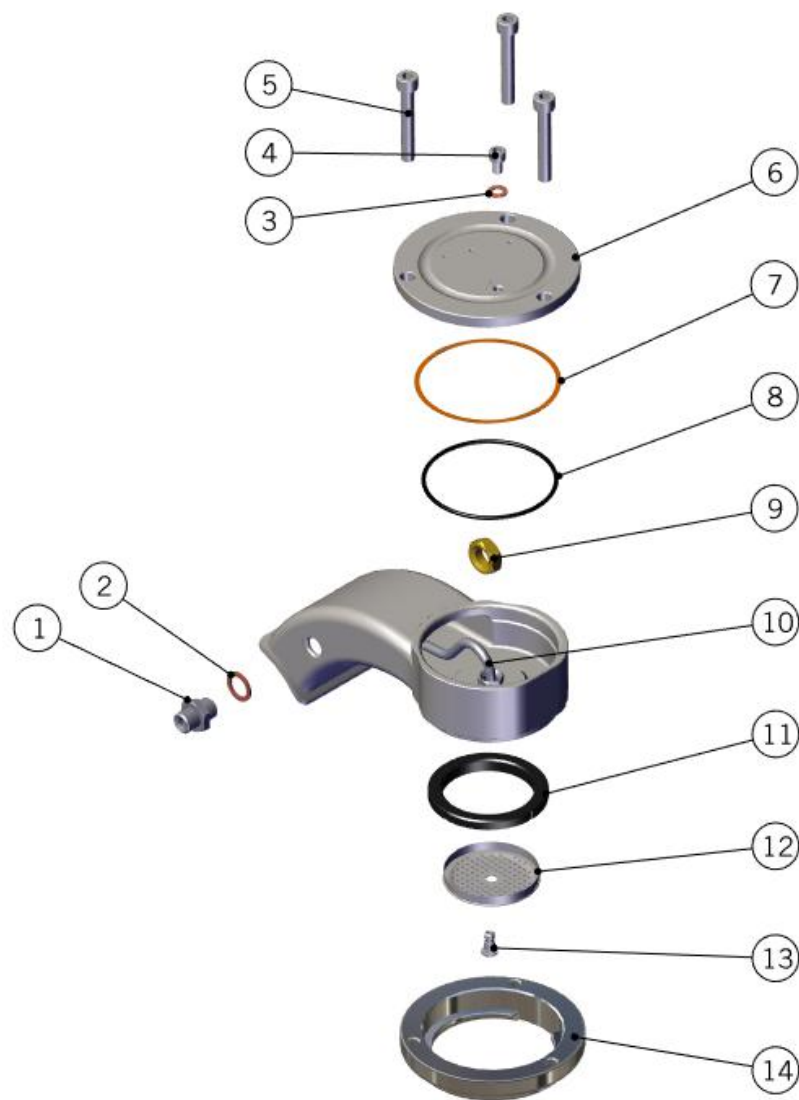
handmade in florence

COFFEE BOILER - GROUP

Caldaia Caffè

1	L030	CAP NUT G3/8 H11 WR19 BRASS	DADO CIECO G3/8 H11 CH19 OTTONE
2	H.1.004	O-RING 2,62X10,77 EPDM 70 ShA	O-RING 2,62X10,77 EPDM 70 ShA
3	L164.02	BALL VALVE G3/8M-G3/8F BRASS TREATED	RUBINETTO A SFERA G3/8M-G3/8F OTTONE TR.
4	F.7.029.SX	INSULATING LEFT SIDE CB	ISOLANTE FONDELLO SX CC
5	E.5.005	SAFETY THERMOSTAT 2P TRIP FREE 130C 600V	TERMOSTATO BIPOL. TRIP FREE 130C 600V
6	L276/B	SAFETY THERMOSTAT 2P 130C 250V	TERMOSTATO BIPOL. 130C 250V
7	DADO3M	NUT M3 H3 WR5,5 BRASS	DADO M3 H3 CH5,5 OTTONE
8	A.5.016.01	PLASTIC FASTENER 750X7.5	FASCETTA NERA 750x7.5 NYLON
9	F.7.004	INSULATION PANEL 2GR COFFEE BOILER	ISOLANTE C. CAFFE' 2GR
	F.7.005	INSULATION PANEL 3GR COFFEE BOILER	ISOLANTE C. CAFFE' 3GR
10	F.7.029.DX	INSULATING RGT SIDE CB	ISOLANTE FONDELLO DX CC
11	E.1.005	TEMPERATURE PROBE PT1000 100MM	SONDA TEMPERATURA PT1000 100MM
12	L100/1A	WASHER 13,5X19X1,5 COPPER	RONDELLA 13,5X19X1,5 RAME
13	A.2.007	PT1000 PROBE ADAPTOR	RIDUZIONE PER SONDA PT1000
14	L260/1A	WASHER 21X27X1,5 COPPER	RONDELLA 21X27X1,5 RAME
Item	Part number/Codice	Description	Descrizione

COFFEE BOILER - GROUP





la marzocco

handmade in florence

COFFEE BOILER - GROUP

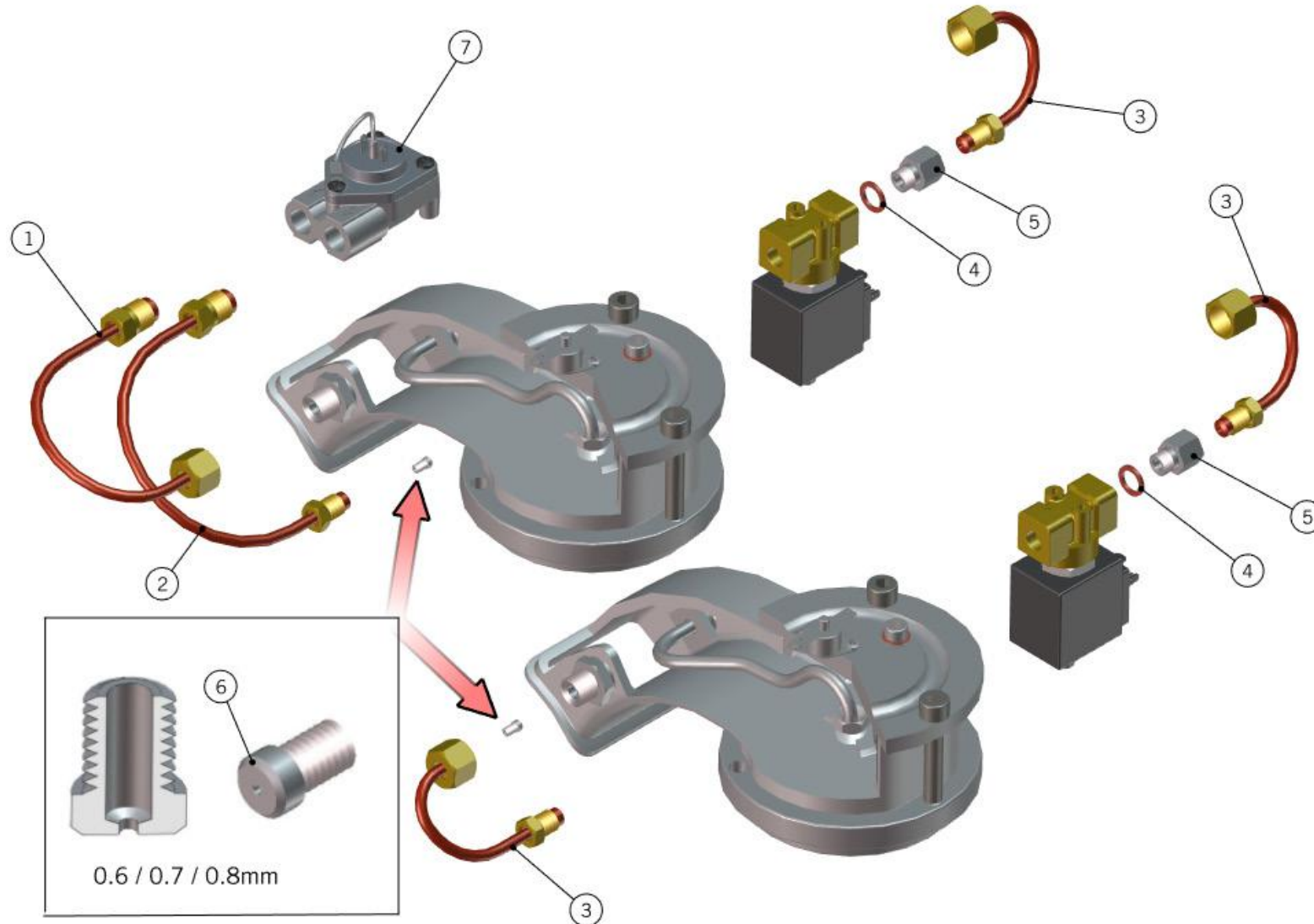
Caldaia Caffè

1	L037/3.01	NIPPLE G1/4M-G1/4M WR19 H25.5 BRASS TR.	NIPPLO G1/4M-G1/4M CH19 H25.5 OT. TR.
2	L100/1A	WASHER 13,5X19X1,5 COPPER	RONDELLA 13,5X19X1,5 RAME
3	L120/2A	WASHER 6,3X12X1 COPPER	RONDELLA 6,3X12X1 RAME
4	L120/2	SCREW M6X10 SOCKET CAP S/S A2	VITE M6X10 TC A BRUGOLA INOX A2
5	L110.01	SCREW M8X52 SOCKET CAP S/S A2 70	VITE M8X52 TC A BRUGOLA INOX A2 70
6	A.5.024	GROUP CAP S/S LINEA	GROUP CAP INOX LINEA
7	L103/B	FIBER GASKET 87X81X0,5	GUARNIZ. PIANA 87X81X0.5 NOVUS
8	L103/A	O-RING 75,87x2,62 FKM 70 ShA	O-RING 75,87x2,62 FKM 70 ShA
9	L100/5	NUT G1/4 H8 WR20 BRASS	DADO G1/4 H8 CH20 OTTONE
10	TL29.01	INTERNAL GRP TUBE	TUBO ALIMENT/NE INTERNO GRUPPO IN TEA
11	H.3.004	GROUP GASKET	GUARNIZIONE SOTTOCOPPA
	H.3.007	GROUP GASKET SILICONE 71,6/55x8,2	GUARNIZ. SOTTOCOPPA SILICONE 71,6/55x8,2
12	F.3.040.01	COFFEE SHOWER SCREEN W/LOGO H6.5	DOCCETTA RINFORZATA C/LOGO H6.5
13	A.5.110	DIFFUSER SCREW M6 Ø10 S/S	VITE DIFFUSORE M6 Ø10 INOX
14	L109.01	BAYONET RING	ANELLO CROMATO
Item	Part number/Codice	Description	Descrizione



la marzocco
handmade in florence

COFFEE BOILER - GROUP





la marzocco

handmade in florence

COFFEE BOILER - GROUP

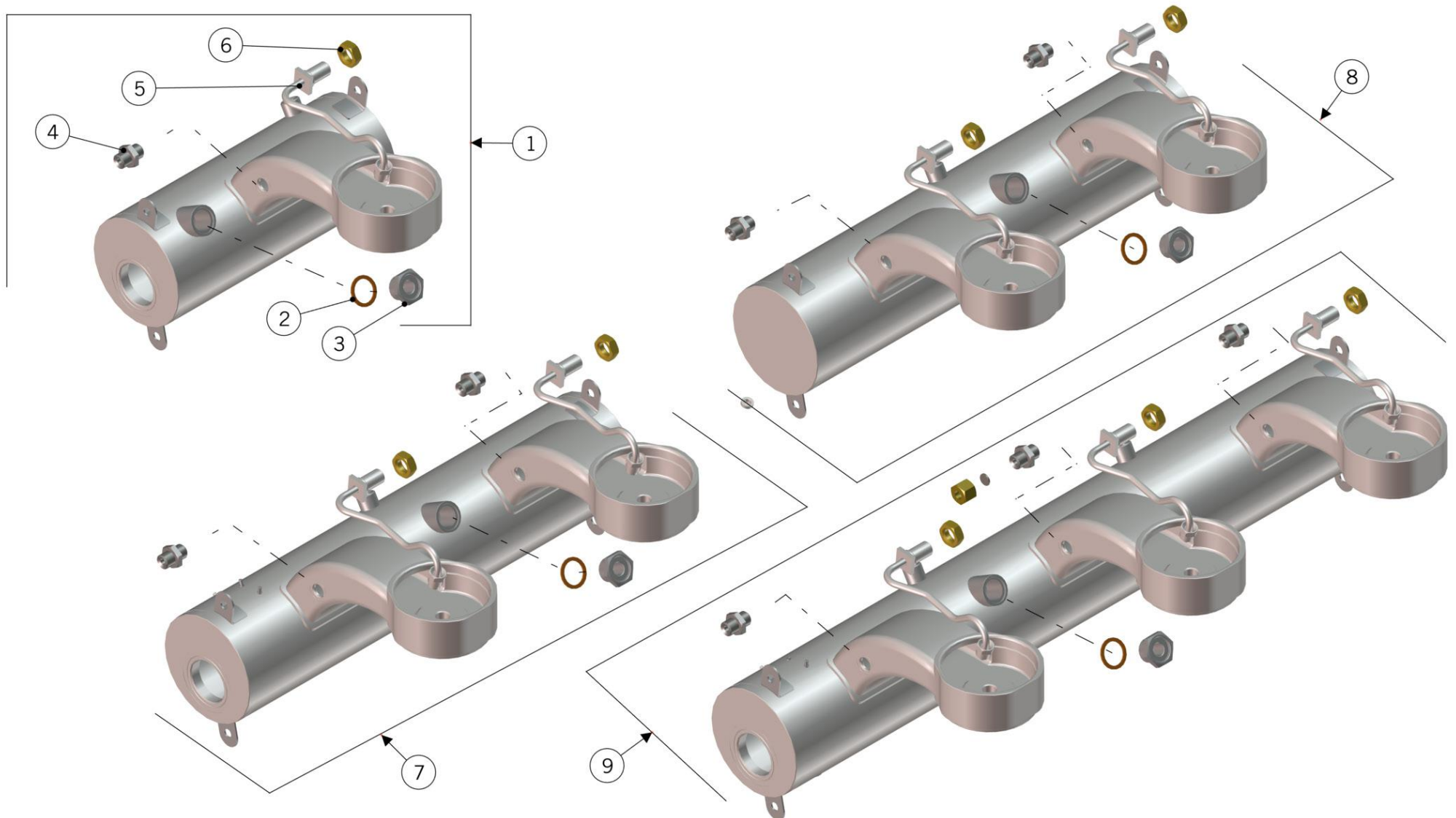
	1	TLAD01	TUBE GROUP - FLOWMETER	TUBO GRUPPO - CONTATORE VOLUMETRICO	
		TLAD01/1	TUBE CROSS FITTING - FLOWMETER 1GR	TUBO CROCIERA - CONT.VOL. 1GR	
	2	TLAD02.F	TUBE FLOWMETER-BREWING SOLENOID V. LINEA	TUBO CONT. VOL. - EV EROGAZIONE LINEA	
		TLAD02/1	TUBE FLOWMETER - COFFEE BOILER 1GR	TUBO CONT.VOL. - CALDAIA CAFFE' 1GR	
	3	TL25/26.F	TUBE FROM GROUP TO SOLENOID (TAPPED)	TUBO GRUPPO-ELETTROVALVOLA FILETTATO	
	4	L100/D	WASHER 10X14X1,5 COPPER	RONDELLA 10X14X1,5 RAME	
	5	L100/C.01	FITTING G1/8F - G1/8M WR14 BRASS TREATED	RACCORDO G1/8F - G1/8M CH14 OTTONE TR.	
	6	A.5.100	GICLEUR Ø0,8 M4 CH4 S/S	GICLEUR Ø0,8 M4 CH4 INOX	
		A.5.108	GICLEUR Ø0,6 M4 CH4 S/S	GICLEUR Ø0,6 M4 CH4 INOX	
		A.5.109	GICLEUR Ø0,7 M4 CH4 S/S	GICLEUR Ø0,7 M4 CH4 INOX	
	7	LAD070.01	FLOW METER	CONTATORE VOLUMETRICO UL/NSF	
	Item	Part number/Codice		Description	Descrizione



la marzocco

handmade in florence

COFFEE BOILER ASSEMBLY





la marzocco

handmade in florence

COFFEE BOILER ASSEMBLY

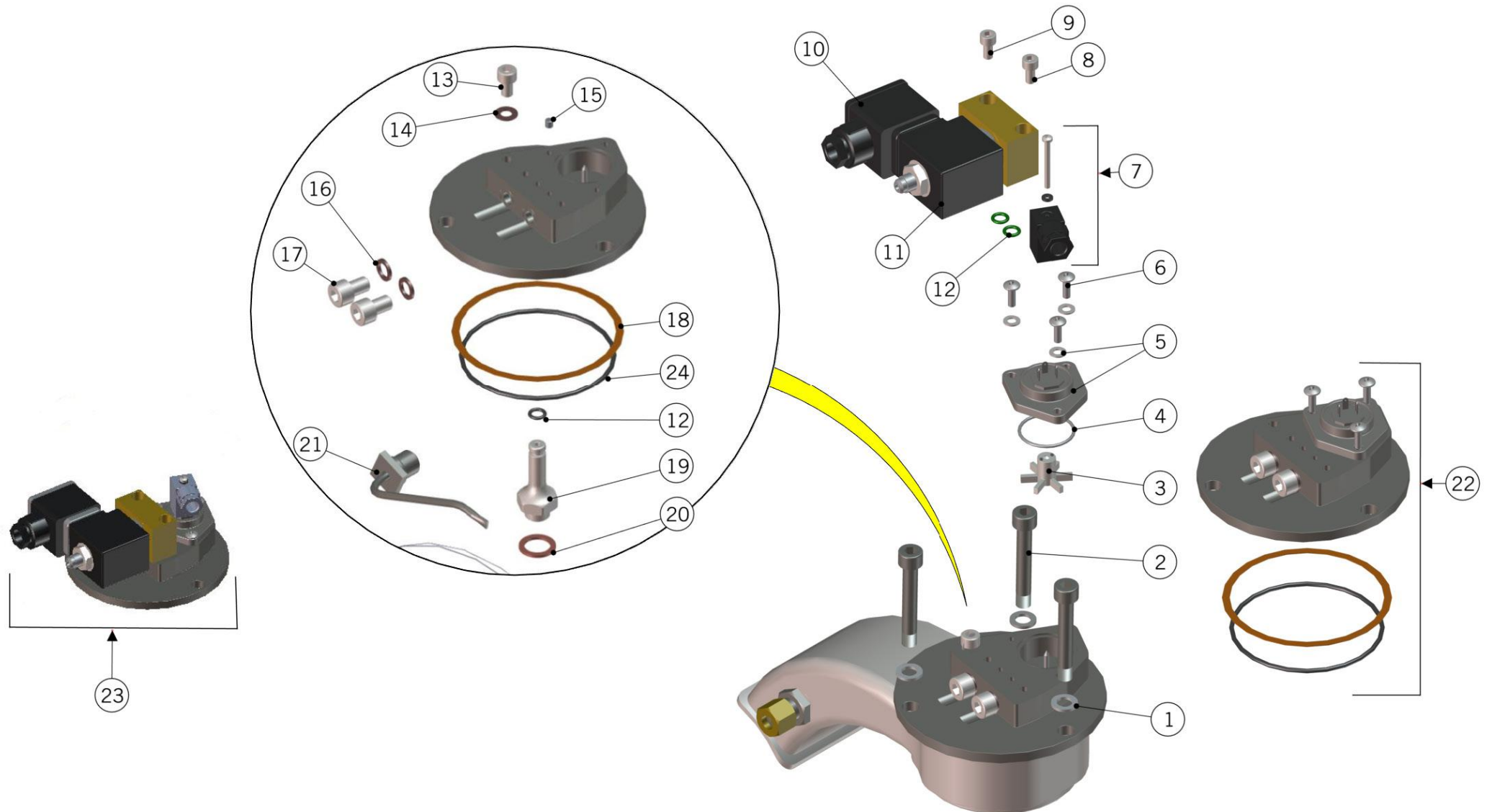
Caldaie Caffè Ricambi	1	L.1.005.1.R	COFFEE BOILER FLAT SIDE 1GR	CALDAIA CAFFE' FOND. PIATTI 1GR
	2	L260/1A	WASHER 21X27X1,5 COPPER	RONDELLA 21X27X1,5 RAME
	3	A.2.007	PT1000 PROBE ADAPTOR	RIDUZIONE PER SONDA PT1000
	4	L037/3.01	NIPPLE G1/4M-G1/4M WR19 H25.5 BRASS TR.	NIPPLO G1/4M-G1/4M CH19 H25.5 OT. TR.
	5	TL29.01	INTERNAL GRP TUBE	TUBO ALIMENT/NE INTERNO GRUPPO IN TEA
	6	L100/5	NUT G1/4 H8 WR20 BRASS	DADO G1/4 H8 CH20 OTTONE
	7	L.1.005.2.R	COFFEE BOILER FLAT SIDE 2GR	CALDAIA CAFFE' FOND. PIATTI 2GR
	8	L.1.005.2DX.R	COFFEE BOILER FLAT SIDE DX 2GR	CALDAIA CAFFE' FOND. PIATTI DX 2GR
	9	L.1.005.3.R	COFFEE BOILER FLAT SIDE 3GR	CALDAIA CAFFE' FOND. PIATTI 3GR
	Item	Part number/Codice		Description



la marzocco

handmade in florence

COFFEE BOILER - GROUP CAP





la marzocco

handmade in florence

COFFEE BOILER - GROUP CAP

Galdaià Caffè

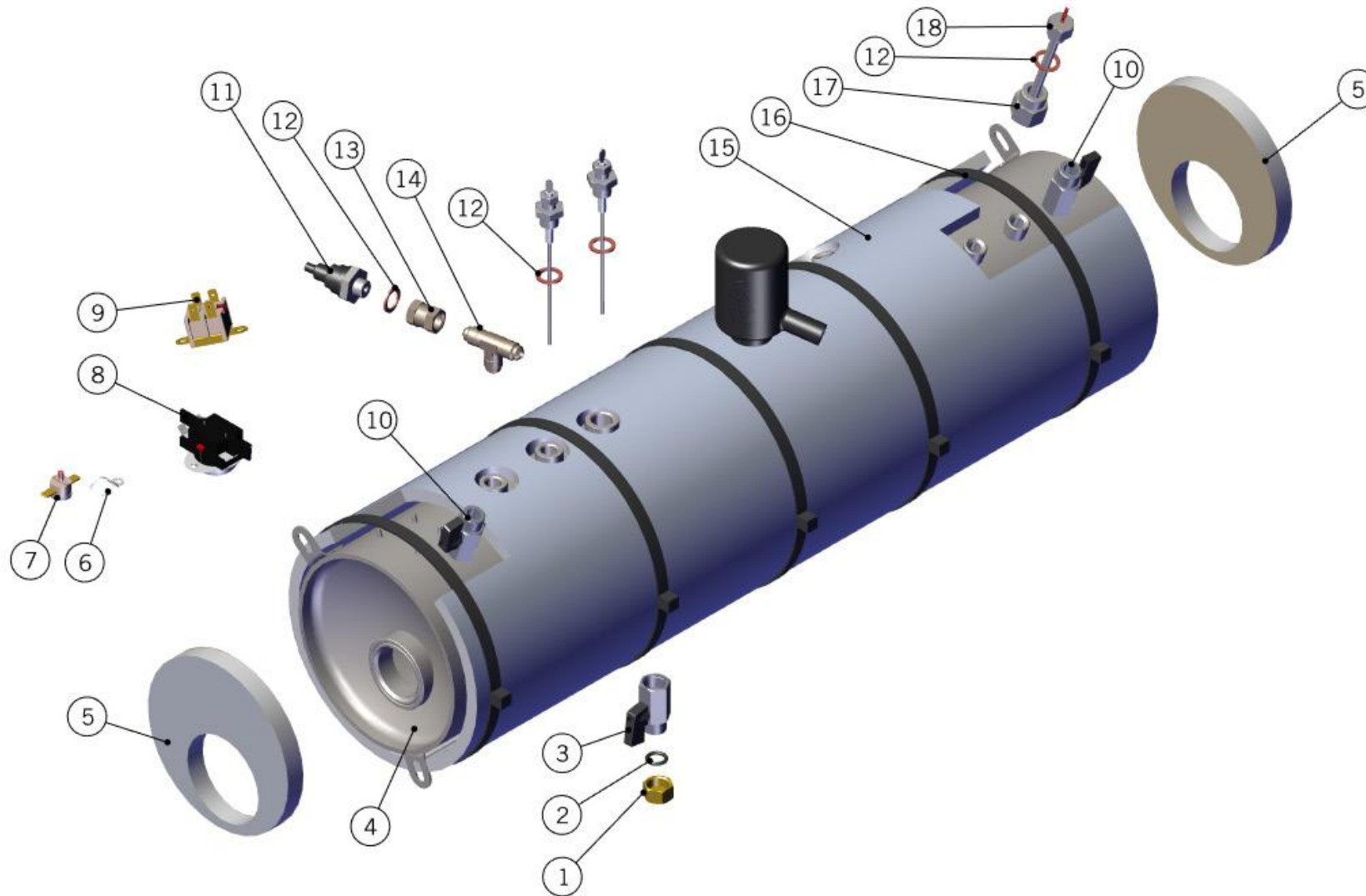
1	L1003	WASHER 8,5X14X1,5 S/S A2	RONDELLA 8,5X14X1,5 INOX A2
2	L110.01	SCREW M8X52 SOCKET CAP S/S A2 70	VITE M8X52 TC A BRUGOLA INOX A2 70
3	LAD070/V	IMPELLER FLOWMETER	GIRANTE CONTATORE VOLUMETRICO
4	LAD070/S1	O-RING 2X28 FLOWMETER SILICONE 70ShA	O-RING 2X28 CONT. VOL. SILICONE 70ShA
5	LAD070/GC.R	KIT FLOWMETER HEAD	KIT TESTA CONT. VOLUM. FLUSS.
6	CL22/V	SCREW M4X12 PHILLIPS BUTTON HEAD S/S A2	VITE M4X12 TPB A CROCE INOX A2
7	LAD070/CGC	CONNECTORS FLOWMETER KIT	CONNETTORE CONT VOL. KIT FLUSSOMETRO
8	I.1.011	SCREW M5X14 SOCKET CAP S/S A2	VITE M5X14 TC A BRUGOLA INOX A2
9	I.1.005	SCREW M5X10 SOCKET CAP S/S A2	VITE M5X10 TC A BRUGOLA INOX A2
10	L205	SOLENOID VALVE CONNECTOR	CONNETTORE PER ELETTROVALVOLA
11	L100/G.01	SV COIL 220-240V 8W UL CSA VDE	BOBINA EV 220-240V 8W UL CSA VDE
12	H.1.006	O-RING 1,78x6,07 VITON	O-RING 1,78x6,07 VITON
13	L120/2	SCREW M6X10 SOCKET CAP S/S A2	VITE M6X10 TC A BRUGOLA INOX A2
14	L120/2A	WASHER 6,3X12X1 COPPER	RONDELLA 6,3X12X1 RAME
15	F.3.032.01	GICLEUR 0,6 M4 CH2 RUBY + S/S	GICLEUR 0,6 M4 CH2 RUBINO + INOX
	F.3.033.01	GICLEUR 0,7 M4 CH2 RUBY + S/S	GICLEUR 0,7 M4 CH2 RUBINO + INOX
	F.3.034.01	GICLEUR 0,8 M4 CH2 RUBY + S/S	GICLEUR 0,8 M4 CH2 RUBINO + INOX
16	I.4.002	WASHER 8,3X12X1,5 COPPER	RONDELLA 8,3X12X1,5 RAME
17	I.1.019.01	SCREW M8X8 SOCKET CAP S/S A2	VITE M8X8 TC A BRUGOLA INOX A2
18	L103/B	FIBER GASKET 87X81X0,5	GUARNIZ. PIANA 87X81X0.5 NOVUS
19	A.2.009.01	S/S GROUP ADAPTER	CANOTTO EROGAZIONE INOX
20	L100/1A	WASHER 13,5X19X1,5 COPPER	RONDELLA 13,5X19X1,5 RAME
21	B.1.003.01	RIGHT SIDE GROUP NECK CAP	TAPPO DX PER GRUPPO TRATT TEA
22	SA944	GROUP CAP ASSEMBLY GB5 / PB	COPERCHIO GRUPPI AV INOX DI FORGIATURA
23	940/AV.02	STAINLESS STEEL AV GROUP CAP ASSEMBLY	KIT NUOVO COPERCHIO INOX PER AV
24	L103/A	O-RING 75,87x2,62 FKM 70 ShA	O-RING 75,87x2,62 FKM 70 ShA
Item	Part number/Codice	Description	Descrizione



la marzocco

handmade in florence

STEAM BOILER ASSEMBLY





la marzocco

handmade in florence

STEAM BOILER ASSEMBLY

Caldaia Vapore

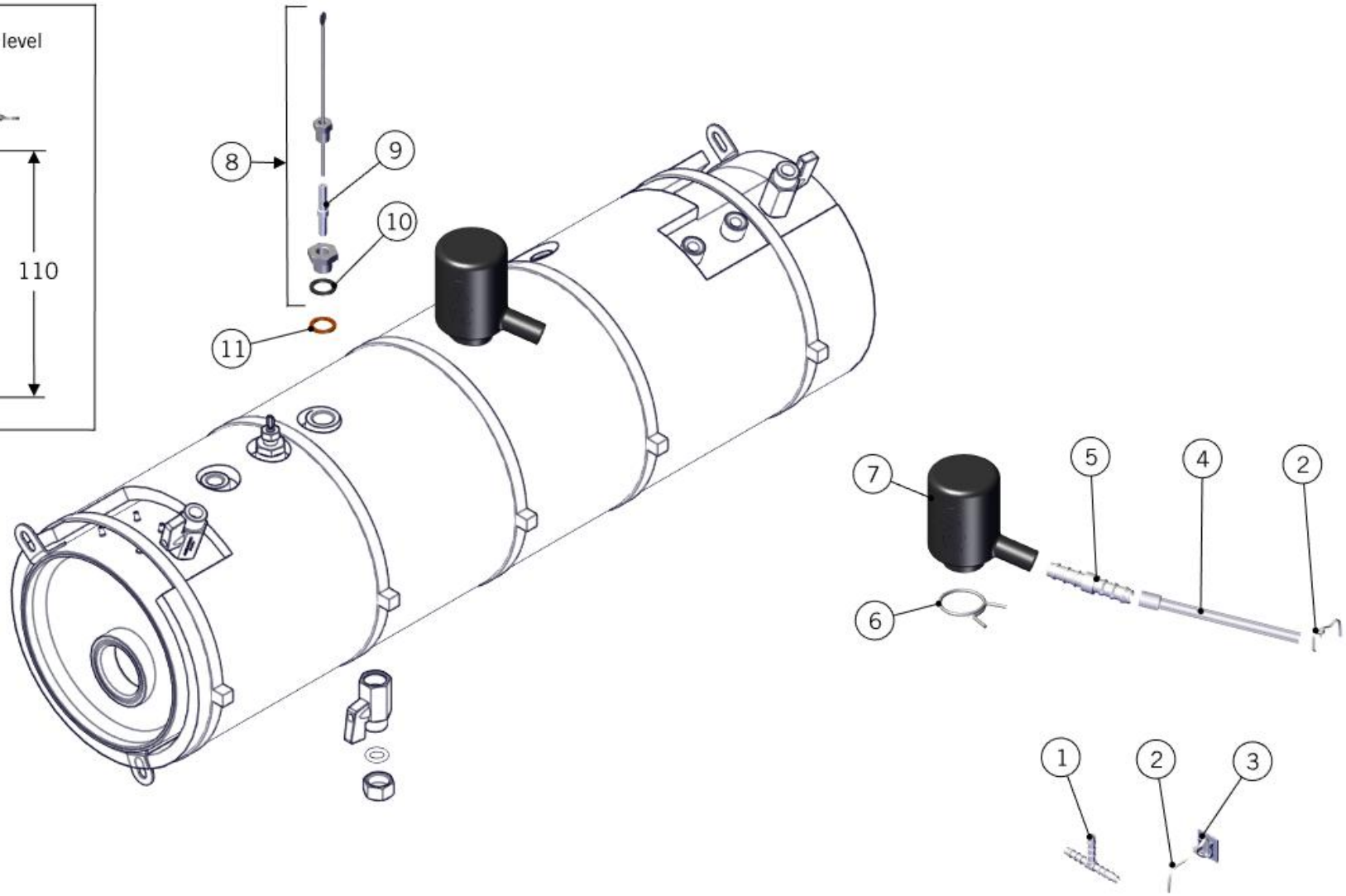
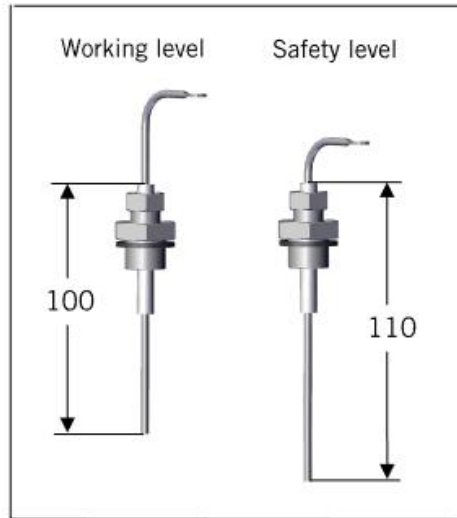
1	L030	CAP NUT G3/8 H11 WR19 BRASS	DADO CIECO G3/8 H11 CH19 OTTONE
2	H.1.004	O-RING 2,62X10,77 EPDM 70 ShA	O-RING 2,62X10,77 EPDM 70 ShA
3	L164.02	BALL VALVE G3/8M-G3/8F BRASS TREATED	RUBINETTO A SFERA G3/8M-G3/8F OTTONE TR.
4	L.1.014.1.R	STEAM BOILER LCS 1GR	CALDAIA VAPORE LCS 1GR
	L.1.014.2.R	STEAM BOILER LCS 2GR	CALDAIA VAPORE LCS 2GR
	L.1.014.3.R	STEAM BOILER LCS 3GR	CALDAIA VAPORE LCS 3GR
	L.1.014.4.R	STEAM BOILER LCS 4GR	CALDAIA VAPORE LCS 4GR
5	F.7.027	INSULATING CONCAVE SIDE SB	ISOLANTE FONDELLO CURVO CV
6	L276.01S	L276.01 BRACKET	STAFFA SINGOLA A CLIP X L276.01
7	L276.01	SAFETY THERMOSTAT 1P TRIP FREE 130C 250V	TERMOSTATO UNIPOL. TRIP FREE 130C 250V
8	E.5.005	SAFETY THERMOSTAT 2P TRIP FREE 130C 600V	TERMOSTATO BIPOL. TRIP FREE 130C 600V
9	L276/B	SAFETY THERMOSTAT 2P 130C 250V	TERMOSTATO BIPOL. 130C 250V
10	L164.02	BALL VALVE G3/8M-G3/8F BRASS TREATED	RUBINETTO A SFERA G3/8M-G3/8F OTTONE TR.
11	B.2.029	VALVE VACUUM BREAKER SMA G1/4 S/S	VALVOLA ANTIDEPRESSIONE SMA G1/4 INOX
12	L100/1A	WASHER 13,5X19X1,5 COPPER	RONDELLA 13,5X19X1,5 RAME
13	A.2.003.01	FITTING G1/4F-G1/4F WR17 BRASS TREATED	RACCORDO G1/4F-G1/4F CH17 OTTONE TRATT.
14	L128.01	TEE FITTING G1/4M WR13 BRASS TREATED	RACCORDO A T G1/4M CH13 OTTONE TRATTATO
15	F.7.006	INSULATION PANEL 2GR LINEA STEAM B.	ISOLANTE C. VAPORE LINEA 2GR
	F.7.007	INSULATION PANEL 3GR LINEA STEAM B.	ISOLANTE C. VAPORE LINEA 3GR
	F.7.008	INSULATION PANEL 4GR LINEA&GB5 STEAM B.	ISOLANTE C. VAPORE LINEA E GB5 4GR
16	A.5.016.01	PLASTIC FASTENER 750X7.5	FASCETTA NERA 750x7.5 NYLON
17	A.2.004.01	FITTING G1/4F-G3/8F WR22 BRASS TREATED	RACCORDO G1/4F-G3/8F CH22 OTTONE TRATT.
18	E.3.030	NTC LCR TEMPERATURE PROBE	SONDA DI TEMPERATURA NTC LCR
Item	Part number/Codice	Description	Descrizione



la marzocco

handmade in florence

STEAM BOILER ASSEMBLY





la marzocco

handmade in florence

STEAM BOILER ASSEMBLY

Caldaia Vapore

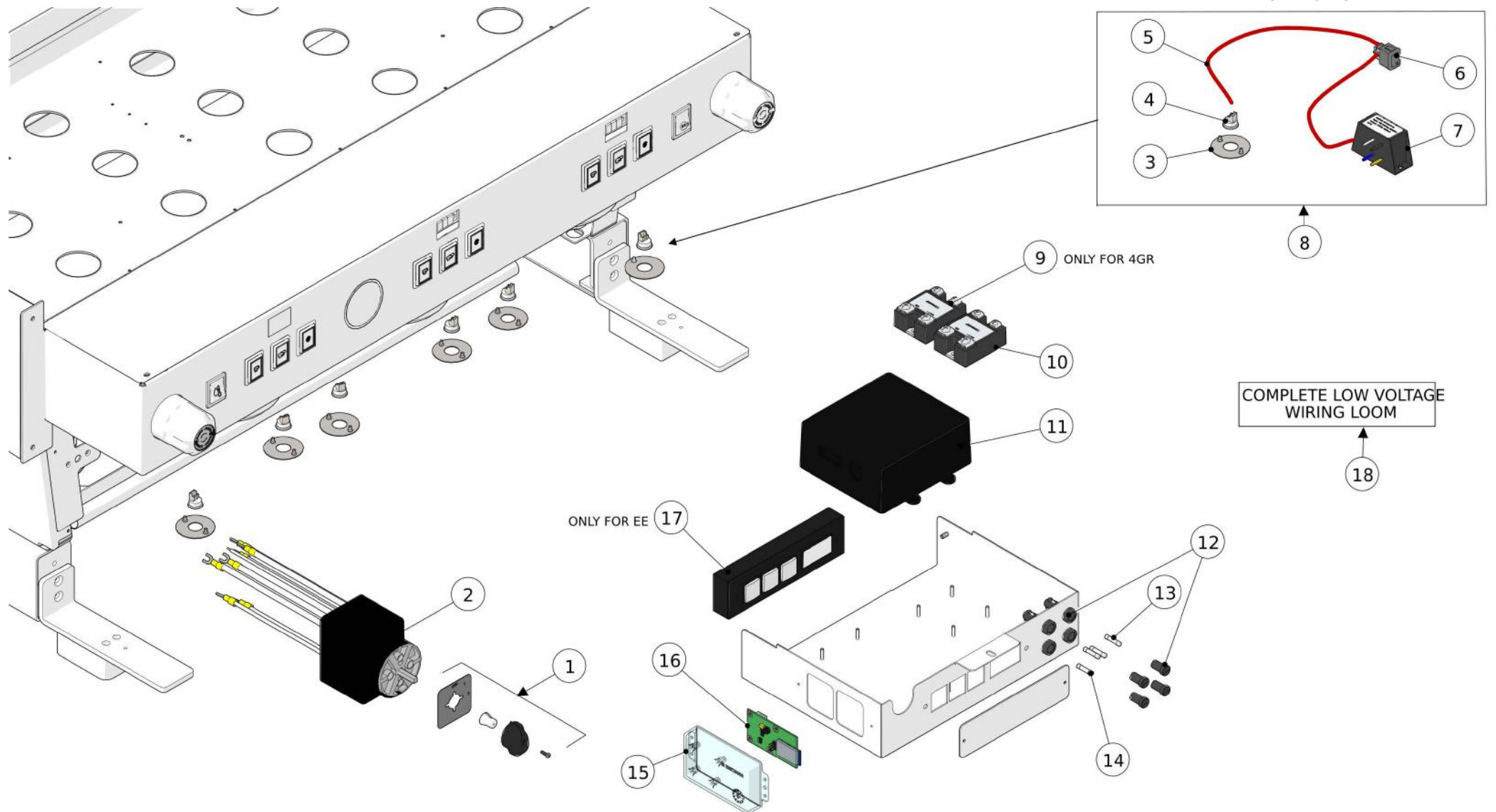
1	A.7.001.01	HOSE CONNECTOR TEE-SHAPE D6,3 Di4 PVDF	PORTAGOMMA A T D6,3 Di4 PVDF
2	L338/L100.01	CABLE TIE 120x2,5MM HIGH TEMPERATURE	FASCETTA FERMAFILO 120x2,5MM ALTE TEMP.
3	5.V010	FASTENER ADHESIVE SUPPORT	INCOLLINO
4	T.4.002	10x14 TRANSPARENT SILICONE TUBE	TUBO IN SILICONE 10x14 TRASPARENTE
5	A.2.122	HOSE HOLDER D10e BRASS TR.	PORTAGOMMA DRITTO D10e OTT TRATT.
6	I.8.003	MOLLA A TORSIONE 2,5X32	MOLLA A TORSIONE 2,5X32
7	F.2.062	SAFETY VALVE CLOSURE	CHIUSURA VALVOLA DI SICUREZZA
8	LA052	WATER LEVEL PROBE	SONDA LIVELLO TL10/B 140MM.
9	LA052/1	TEFLON INSULATOR PROBE	ISOLATORE IN TEFLON X SONDA
10	LA052/A	AUTOFILL PROBE GASKET	GUARNIZIONE SONDA LIVELLO
11	L100/1A	WASHER 13,5X19X1,5 COPPER	RONDELLA 13,5X19X1,5 RAME
Item	Part number/Codice	Description	Descrizione



la marzocco

handmade in florence

ELECTRICAL SYSTEM





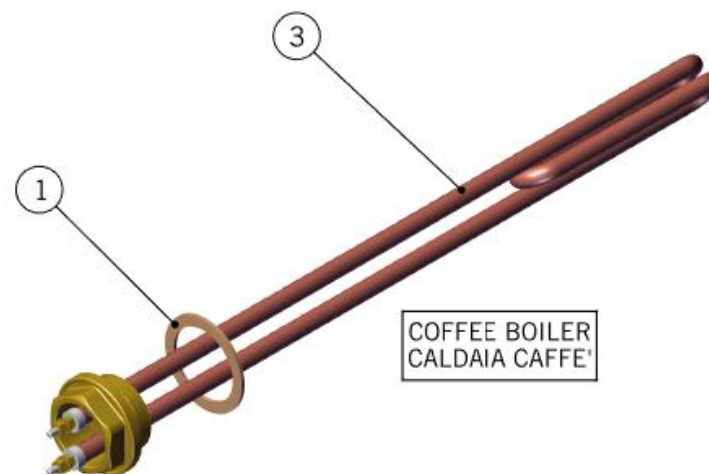
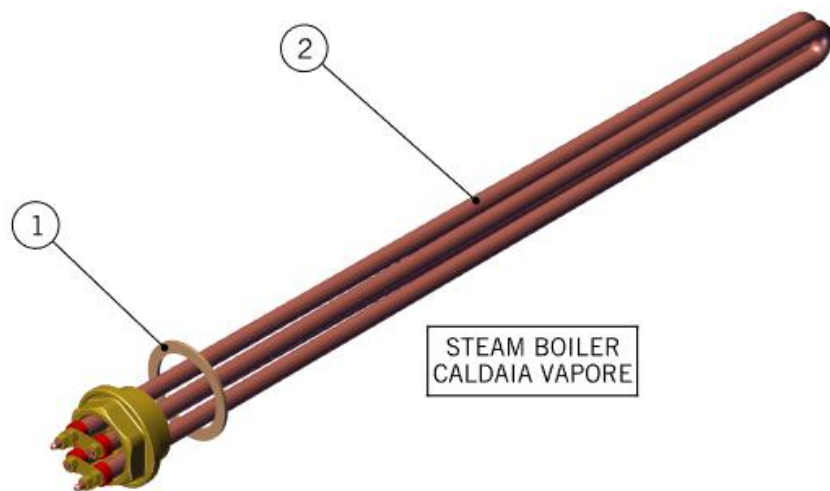
la marzocco

handmade in florence

ELECTRICAL SYSTEM

1	F.1.060	KNOB+LABEL FORL400/32/4.01-L400/17/12.01	MANOPOLA+ET. L400/32/4.01-L400/17/12.01
2	E.2.049.01	BIPOLAR SWITCH 42A W/FASTON IEC/UL	INTERR. BIPOLARE 42A C/FASTON IEC/UL
	E.2.067.01	TRIPOLAR SWITCH 42A W/FASTON IEC/UL	INTERR. TRIPOLARE 42A C/FASTON IEC/UL
	E.2.096	FOUR-POLE SWITCH 20A W/FASTON IEC/UL	INTERR. TETRAPOLARE 20A C/FASTON IEC/UL
3	C.1.596	ELECTRONIC BOX LCS 4GR	PLACCA ADATTATORE LUCE BARISTA LCS
4	E.1.079	QUICK COUPLING BARISTA LIGHT	LUCI BARISTA BIANCO AGG. RAPIDO
5	E.4.323.2	KIT WIRING BARISTA LIGHTS CLASSICA 2GR	KIT CABLAGGIO LUCI BARISTA CLASS. 2GR
	E.4.323.3	KIT WIRING BARISTA LIGHTS CLASSICA 3GR	KIT CABLAGGIO LUCI BARISTA CLASS. 3GR
	E.4.323.4	KIT WIRING BARISTA LIGHTS CLASSICA 4GR	KIT CABLAGGIO LUCI BARISTA CLASS. 4GR
6	E.2.095	SWITCH ROCKER DOUBLE-POLE 10A	INTERRUTTORE A TASTO BIPOLARE 10A
7	E.2.082	POWER SUPPLY 12V 15W 100-240V	ALIMENTATORE 12V 15W 100-240V
8	1032	RETROFIT KIT BARISTA LIGHT LCS 2GR	KIT RETROFIT LUCI BARISTA LCS 2GR
	1033	RETROFIT KIT BARISTA LIGHT LCS 3GR	KIT RETROFIT LUCI BARISTA LCS 3GR
	1034	RETROFIT KIT BARISTA LIGHT LCS 4GR	KIT RETROFIT LUCI BARISTA LCS 4GR
9	E.4.010.01.R	SSR 25A 240V W/THERMAL COMPOUND	RELE' 25A 240V C/PASTA TERMICA
10	E.4.197.R	SSR DUAL 50A 380V W/THERMAL COMPOUND	RELE DUAL 50A 380V C/PASTA TERMICA
11	E.1.078.01	ELECTRONIC BOARD LINEA CLASSIC	SCHEDA LINEA CLASSICA CON FERRITI
12	E.2.004	UL FUSE HOLDER	PORTAFUSIBILE UL
13	E.2.073	FUSE 3,15 A TIME-DELAY	FUSIBILE 3,15 A RITARDATO
14	E.2.074	FUSE 160 mA FAST-BLOW	FUSIBILE 160 mA RAPIDO
15	F.1.212	BOX ESP32 GATEWAY	SCATOLA GATEWAY ESP32
16	E.4.201	WIFI BOARD HOME MACHINE	SCHEDA WIFI HOME MACHINE
17	E.2.106	KEYBOARD GICAR CLASSIC LINE S EE	TASTIERA GICAR LINEA CLASSICA S EE
18	E.4.322.2	WIRING HARNESS LCS 2AV-EE LOW VOLTAGE	CABLAGGIO LCS 2AV-EE BASSA TENSIONE
	E.4.322.3	WIRING HARNESS LCS 3AV LOW VOLTAGE	CABLAGGIO LCS 3AV BASSA TENSIONE
	E.4.322.4	WIRING HARNESS LCS 4AV LOW VOLTAGE	CABLAGGIO LCS 4AV BASSA TENSIONE
	E.4.325.2	WIRING HARNESS LCS 2EE LOW VOLTAGE	CABLAGGIO LCS 2EE BASSA TENSIONE
	E.4.325.3	WIRING HARNESS LCS 3EE LOW VOLTAGE	CABLAGGIO LCS 3EE BASSA TENSIONE
Item	Part number/Codice	Description	Descrizione

HEATING ELEMENTS





la marzocco

handmade in florence

HEATING ELEMENTS

Resistenze Elettriche	1 GROUPS / 1 GRUPPI	STEAM BOILER	STANDARD	1	LR360	1-1/4 HEATER ELEMENT GASKET	GUARNIZIONE PIANA DM.55X42X2	
						STEAM BOILER HEATING ELEMENTS		RESISTENZE PER CALDAIA VAPORE
				2	LR340/200B.03	HEATING ELEMENT W1300 V200 CM17 1-1/4 RP	RES. EL. W1300 V200 CM17 1-1/4 RP	
						COFFEE BOILER HEATING ELEMENTS		RESISTENZE PER CALDAIA CAFFE'
		3	LR360/200.03	HEATING ELEMENT W1000 V200 CM21 1-1/4 RP	RES. EL. W1000 V200 CM21 1-1/4 RP			
			LR360/220.03	HEATING ELEMENT W1000 V220 CM21 1-1/4 RP	RES. EL. W1000 V220 CM21 1-1/4 RP			
				Item	Part number/Codice	Description	Descrizione	

Resistenze Elettriche	2 GROUPS / 2 GRUPPI	STEAM BOILER	STANDARD	1	LR360	1-1/4 HEATER ELEMENT GASKET	GUARNIZIONE PIANA DM.55X42X2	
						STEAM BOILER HEATING ELEMENTS		RESISTENZE PER CALDAIA VAPORE
				2	LR342/220B.03	HEATING ELEMENT W2000 V220 CM29 1-1/4 RP	RES. EL. W2000 V220 CM29 1-1/4 RP	
					LR350/380B.03	HEATING ELEMENT W2000 V380 CM29 1-1/4 RP	RES. EL. W2000 V380 CM29 1-1/4 RP	
					LR357/200B.03	HEATING ELEMENT W3000 V200 CM39 1-1/4 RP	RES. EL. W3000 V200 CM39 1-1/4 RP	
					LR357/220B.03	HEATING ELEMENT W3000 V220 CM39 1-1/4 RP	RES. EL. W3000 V220 CM39 1-1/4 RP	
					LR357/380B.03	HEATING ELEMENT W3000 V380 CM39 1-1/4 RP	RES. EL. W3000 V380 CM39 1-1/4 RP	
					LR358/200B.03	HEATING ELEMENT W2000 V200 CM29 1-1/4 RP	RES. EL. W2000 V200 CM29 1-1/4 RP	
				AU	E.6.017	HEATING ELEMENT W3000 V240 CM39 1-1/4 RP	RES. EL. W3000 V240 CM39 1-1/4 RP	
				COFFEE BOILER HEATING ELEMENTS		RESISTENZE PER CALDAIA CAFFE'		
		3	LR365/200.03	HEATING ELEMENT W1400 V200 CM43 1-1/4 RP	RES. EL. W1400 V200 CM43 1-1/4 RP			
			LR365/220.03	HEATING ELEMENT W1400 V220 CM43 1-1/4 RP	RES. EL. W1400 V220 CM43 1-1/4 RP			
			LR365/380.03	HEATING ELEMENT W1400 V380 CM43 1-1/4 RP	RES. EL. W1400 V380 CM43 1-1/4 RP			
				Item	Part number/Codice	Description	Descrizione	



la marzocco

handmade in florence

HEATING ELEMENTS

Resistenze Elettriche	3 GROUPS / 3 GRUPPI			1	LR360	1-1/4 HEATER ELEMENT GASKET	GUARNIZIONE PIANA DM.55X42X2
	STEAM BOILER	STANDARD	2	STEAM BOILER HEATING ELEMENTS			RESISTENZE PER CALDAIA VAPORE
				E.6.019	HEAT.ELEM W3000 V220 CM50 1-1/4 4POLE TR	RES. EL. W3000 V220 CM50 1-1/4 4 POLI TR	
				E.6.021	HEAT.ELEM W3000 V380 CM50 1-1/4 4POLE TR	RES. EL. W3000 V380 CM50 1-1/4 4 POLI TR	
		HIGH		E.6.023	HEAT.ELEM W4000 V200 CM50 1-1/4 4POLE TR	RES. EL. W4000 V200 CM50 1-1/4 4 POLI TR	
				E.6.027	HEAT.ELEM W3000 V200 CM50 1-1/4 4POLE TR	RES. EL. W3000 V200 CM50 1-1/4 4 POLI TR	
				E.6.008.02	HEAT.ELEM W4000 V380 CM50 1-1/4 4POLE TR	RES. EL. W4000 V380 CM50 1-1/4 4 POLI TR	
	COFFEE BOILER	STANDARD	3	COFFEE BOILER HEATING ELEMENTS			RESISTENZE PER CALDAIA CAFFE'
				LR362/220.03	HEATING ELEMENT W1600 V220 CM66 1-1/4 RP	RES. EL. W1600 V220 CM66 1-1/4 RP	
		LR364/380.03		HEATING ELEMENT W1600 V380 CM65 1-1/4 RP	RES. EL. W1600 V380 CM65 1-1/4 RP		
HIGH		LR366/200.03		HEATING ELEMENT W1900 V200 CM66 1-1/4 RP	RES. EL. W1900 V200 CM66 1-1/4 RP		
		LR366/220.03		HEATING ELEMENT W1900 V220 CM66 1-1/4 RP	RES. EL. W1900 V220 CM66 1-1/4 RP		
	LR366/380.03	HEATING ELEMENT W1900 V380 CM66 1-1/4 RP	RES. EL. W1900 V380 CM66 1-1/4 RP				
Item	Part number/Codice		Description		Descrizione		



la marzocco

handmade in florence

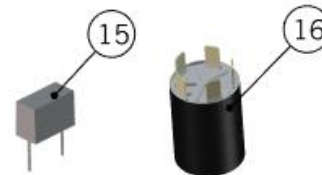
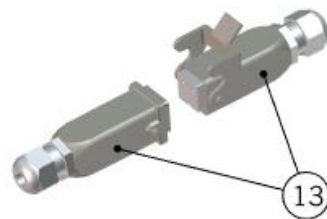
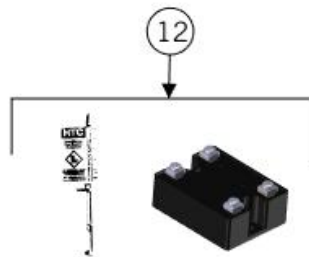
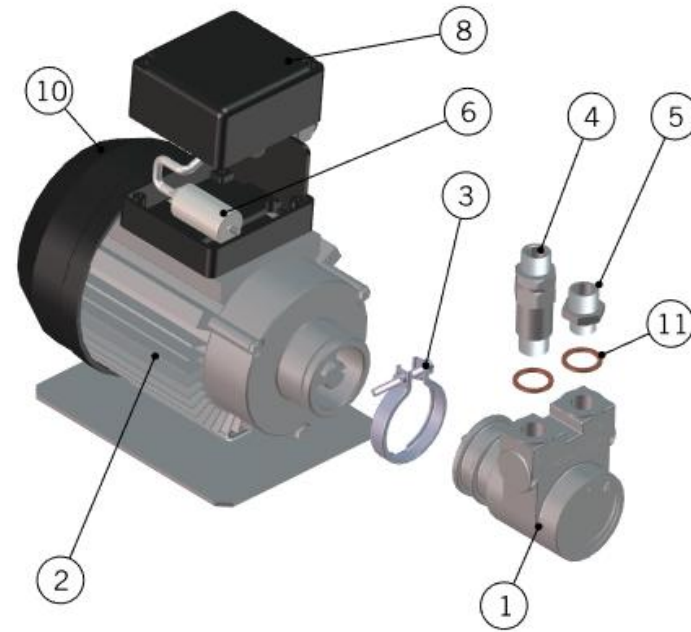
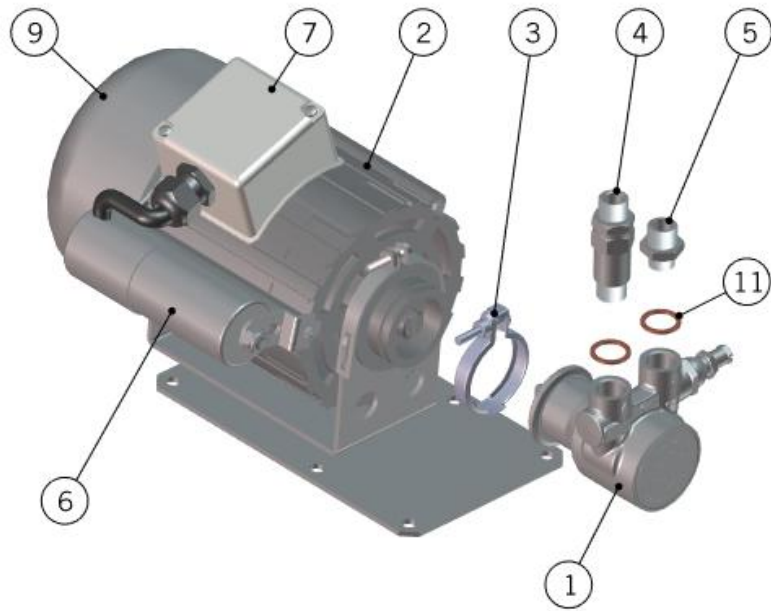
HEATING ELEMENTS

Resistenze Elettriche	4 GROUPS / 4 GRUPPI		1	LR360	1-1/4 HEATER ELEMENT GASKET	GUARNIZIONE PIANA DM.55X42X2
	STEAM BOILER	STANDARD	STEAM BOILER HEATING ELEMENTS		RESISTENZE PER CALDAIA VAPORE	
			E.6.020	HEAT.ELEM W3800 V220 CM50 1-1/4 4POLE TR	RES. EL. W3800 V220 CM50 1-1/4 4 POLI TR	
			E.6.021	HEAT.ELEM W3000 V380 CM50 1-1/4 4POLE TR	RES. EL. W3000 V380 CM50 1-1/4 4 POLI TR	
		HIGH	2	E.6.028	HEAT.ELEM W5000 V200 CM65 1-1/4 4POLE TR	RES. EL. W5000 V200 CM65 1-1/4 4 POLI TR
			E.6.010.02	HEAT.ELEM W5000 V220 CM50 1-1/4 4POLE TR	RES. EL. W5000 V220 CM50 1-1/4 4 POLI TR	
			E.6.030	HEAT.ELEM W5000 V380 CM65 1-1/4 4POLE TR	RES. EL. W5000 V380 CM65 1-1/4 4 POLI TR	
	COFFEE BOILER	STANDARD	COFFEE BOILER HEATING ELEMENTS		RESISTENZE PER CALDAIA CAFFE'	
			3	LR365/200.03	HEATING ELEMENT W1400 V200 CM43 1-1/4 RP	RES. EL. W1400 V200 CM43 1-1/4 RP
			LR365/220.03	HEATING ELEMENT W1400 V220 CM43 1-1/4 RP	RES. EL. W1400 V220 CM43 1-1/4 RP	
LR365/380.03			HEATING ELEMENT W1400 V380 CM43 1-1/4 RP	RES. EL. W1400 V380 CM43 1-1/4 RP		
	Item	Part number/Codice		Description	Descrizione	



la marzocco
handmade in florence

ELECTRICAL SYSTEM AND PUMP





la marzocco

handmade in florence

ELECTRICAL SYSTEM AND PUMP

Impianto Elettrico e Pompa

1	L290/2.01	PUMP 200 LT/H	CORPO POMPANTE 200 L/H
2	L290/8UL	UL MOTOR V.220-240 50/60 HZ	MOTORE CARENATO CHIUSO
3	L290/C	PUMP CLAMP	FASCETTA PER POMPA
4	L032/P.01	CHECK VALVE G3/8M TREATED	VALVOLA DI RITEGNO G3/8M TRATTATA
5	L305/N.01	NIPPLE G3/8M-G3/8M WR20 H31 BRASS TR.	NIPPLO G3/8M-G3/8M CH20 H31 OTTONE TR.
	L306/G.01	NIPPLE G3/8-3/8 COMPRESSION BRASS TR.	NIPPLO G3/8-3/8 COMPRESSION OTTONE TR.
6	L290/CUL	10microF CAPACITOR (L290/8UL MOTOR)	CONDENSATORE 10MF X MOTORE
7	F.1.203	ELECTRIC COVER BOX FOR L290/8UL	COPERCHIO SCATOLA ELETTRONICA X L290/8UL
8			
9	F.6.004	FAN COVER - PUMP MOTOR UL	COPRIVENTOLA ZINCATO X MOTORE L290/8UL
10			
11	L180/1	WASHER 22X17X1,5 COPPER	RONDELLA 17X22X1,5 RAME
12	E.4.010.01.R	SSR 25A 240V W/THERMAL COMPOUND	RELE' 25A 240V C/PASTA TERMICA
	E.4.029.R	SSR 50A 240V W/THERMAL COMPOUND	RELE' 50A 240V C/PASTA TERMICA
	E.4.035.R	SSR 25A 480V W/THERMAL COMPOUND	RELE' 25A 480V C/PASTA TERMICA
13	E.4.044	PUMP CABLE W/RAPID WATERPROOF CONNECTOR	CAVO POMPA C/CONNETTORE RAPIDO IP67
14	LAD3D5/C03	CM.140 3D5 BUTTON BOX CABLE	CAVO PULSANTIERA 3D5 CM.140
15	E.2.090	FILTER KEMET R46 1.5uF + RESISTANCE 1MΩ	FILTRO KEMET R46 1.5uF + RESISTENZA 1MΩ
16	E.2.092	EMIRFI FILTER 16A	FILTRO EMIRFI 16A
Item	Part number/Codice	Description	Descrizione

PORTAFILTER ASSEMBLY

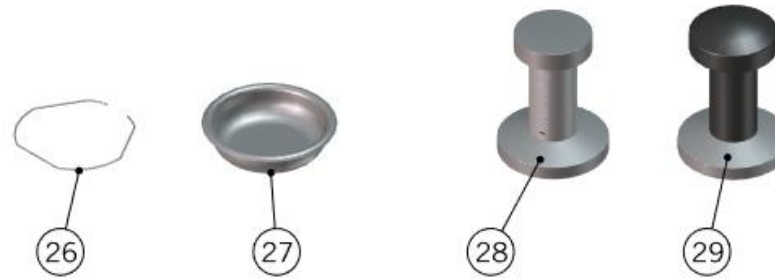
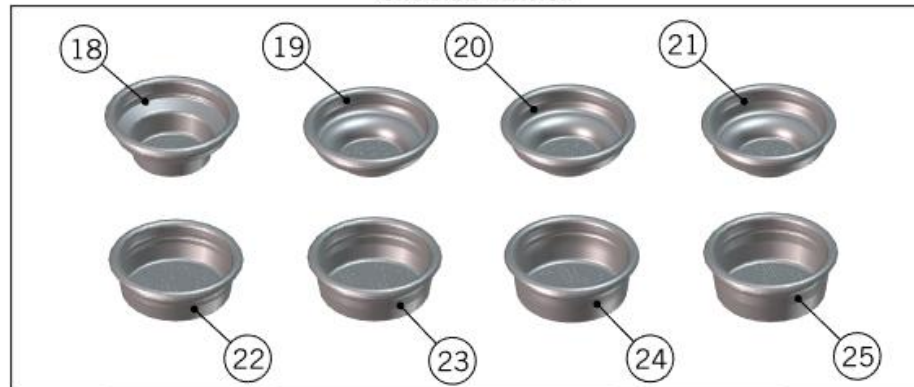
STAINLESS STEEL



FOR LA MARZOCCO SWIFT GRINDER



STANDARD VERSION





la marzocco

handmade in florence

PORTAFILTER ASSEMBLY

Pannello di Controllo

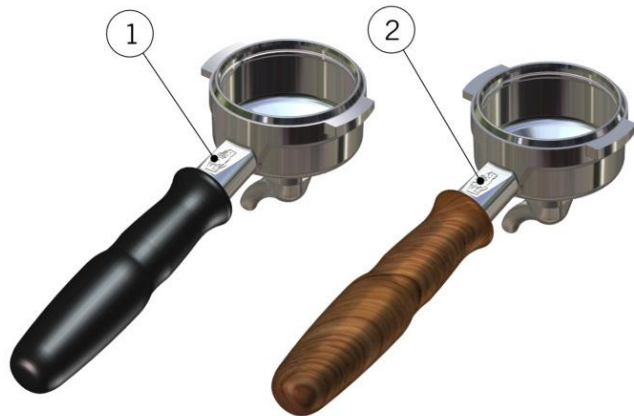
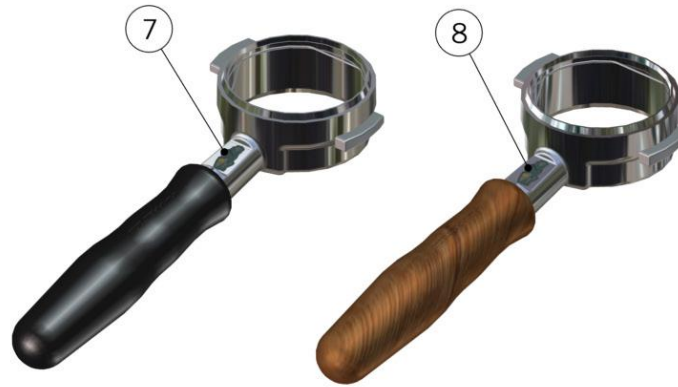
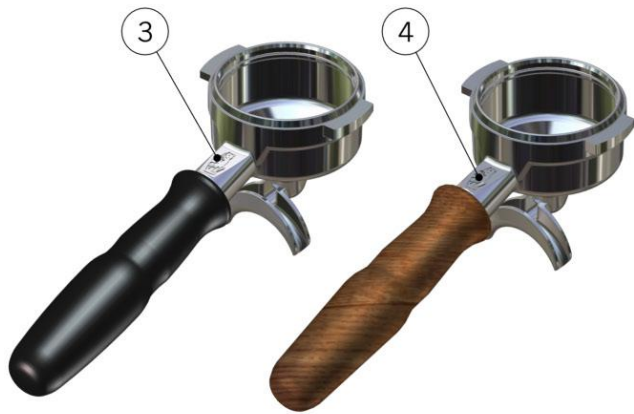
7	L111/2NAC	PORTAFILTER DOUBLE SPOUT	PORTAFILTRO BECCUCCIO DOPPIO
8	A.5.014.01	DOUBLE SPOUT S/S	BECCUCCIO DOPPIO INOX
9	H.1.017	O-RING 3,53X9,12 EPDM 70 SH	O-RING 3,53X9,12 EPDM 70 SH
	H.1.017.02	O-RING 3,37X9,21 EPDM	O-RING 3,37X9,21 EPDM
10	L111/SS.R	CUP PORTAFILTER S/S WITH HANDLE	COPPA PORTAFILTRO INOX CON MANICO
11	L111/1AC	PORTAFILTER SINGLE SPOUT	PORTAFILTRO BECCUCCIO SINGOLO
12	A.5.013.01	SINGLE SPOUT S/S	BECCUCCIO SINGOLO INOX
13	L115/A	FILTER 1 CUP	FILTRO A 1 TAZZA
14	L115/A/S	SINGLE FILTER	FILTRO A 1 TAZZA SINGOLO/DOPPIO
15	5.128	19mm SWIFT FILTER BASKET	FILTRO SWIFT 19mm
16	5.127	22mm SWIFT FILTER BASKET	FILTRO SWIFT 22mm
17	5.133	TRIPLE SWIFT FILTER BASKET	FILTRO SWIFT TRIPLO
18	F.3.029.GR	FILTER 7 GR STANDARD	FILTRO 7 GR STANDARD
19	F.3.053	FILTER 7 GR STANDARD ITALY	FILTRO 7 GR STANDARD ITALIA
20	F.3.150	FILTER 8 GR STANDARD	FILTRO 8 GR STANDARD
21	F.3.134	FILTER 9 GR STANDARD	FILTRO 9 GR STANDARD
22	F.3.028.01	FILTER 14 GR STANDARD	FILTRO 14 GR STANDARD
23	F.3.027.01	FILTER 17 GR STANDARD	FILTRO 17 GR STANDARD
24	F.3.135	FILTER 19 GR STANDARD	FILTRO 19 GR STANDARD
25	F.3.026.01	FILTER 21 GR STANDARD	FILTRO 21 GR STANDARD
26	L113	SPRING D WIRE1,1 S/S FILTER LOCK	MOLLA DFILO1,1 INOX FERMAFILTRO
27	L115/C	BLIND FILTER	FILTRO CIECO X LAVAGGIO
28	F.3.045	S/S-ALUMINUM SINGLE-DOUBLE TAMPER	PRESSINO INOX-ALLUMINIO SINGOLO-DOPPIO
29	F.3.031.01	ANODIZED DOUBLE TAMPER S/S US VERSION	PRESSINO DOPPIO VERSIONE US ANODIZZATO
Item	Part number/Codice	Description	Descrizione



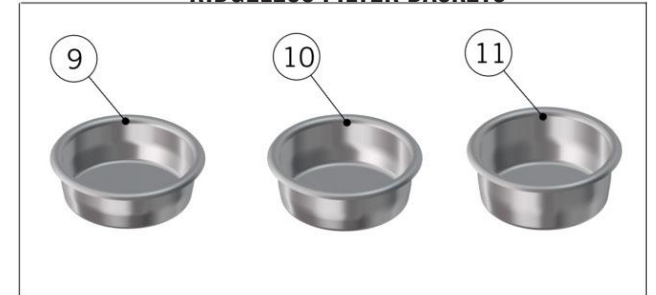
la marzocco
handmade in florence

PORTAFILTER ASSEMBLY

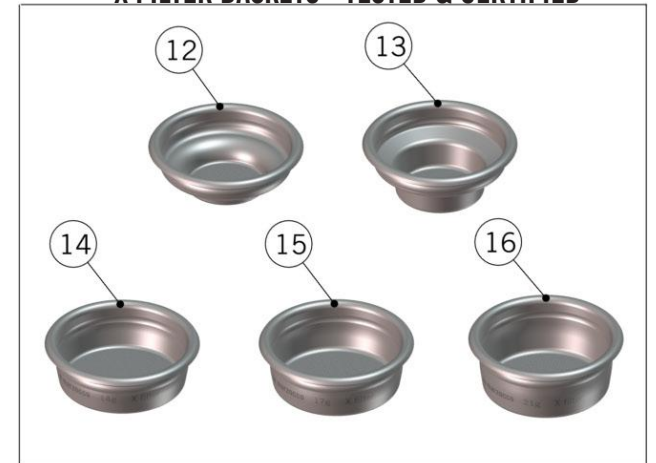
FIXED SPOUT PORTAFILTERS



RIDGELESS FILTER BASKETS



X FILTER BASKETS - TESTED & CERTIFIED





la marzocco

handmade in florence

PORTAFILTER ASSEMBLY

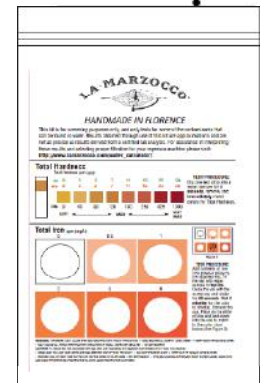
Portafiltri

1	A.5.078	PORTAFILTER FIXED SINGLE SPOUT	PORTAFILTRO BECCUCCIO SINGOLO FISSO
2	A.5.126	PORTAFILTER FIXED SINGLE SPOUT MAPLE	PORTAFILTRO BECC.SINGOLO FISSO ACERO
	A.5.128	PORTAFILTER FIXED SINGLE SPOUT WALNUT	PORTAFILTRO BECC.SINGOLO FISSO NOCE
3	A.5.079	PORTAFILTER FIXED DOUBLE SPOUT	PORTAFILTRO BECCUCCIO DOPPIO FISSO
4	A.5.127	PORTAFILTER FIXED DOUBLE SPOUT MAPLE	PORTAFILTRO BECC.DOPPIO FISSO ACERO
	A.5.129	PORTAFILTER FIXED DOUBLE SPOUT WALNUT	PORTAFILTRO BECC.DOPPIO FISSO NOCE
5	L111/2MW.R	PORTAFILTER DOUBLE SPOUT MAPLE	PORTAFILTRO BECCUCCIO DOPPIO ACERO
	L111/2WW.R	PORTAFILTER DOUBLE SPOUT WALNUT	PORTAFILTRO BECCUCCIO DOPPIO NOCE
6	L111/1MW.R	PORTAFILTER SINGLE SPOUT MAPLE	PORTAFILTRO BECCUCCIO SINGOLO ACERO
	L111/1WW.R	PORTAFILTER SINGLE SPOUT WALNUT	PORTAFILTRO BECCUCCIO SINGOLO NOCE
7	L111/X.01	PORTAFILTER NAKED	PORTAFILTRO NUDO
8	A.5.060	PORTAFILTER NAKED WALNUT	PORTAFILTRO NUDO NOCE
	A.5.061	PORTAFILTER NAKED MAPLE	PORTAFILTRO NUDO ACERO
9	F.3.080	FILTER 14 GR RIDGELESS	FILTRO 14 GR SENZA BORDATURA
10	F.3.079	FILTER 17 GR RIDGELESS	FILTRO 17 GR SENZA BORDATURA
11	F.3.081	FILTER 21 GR RIDGELESS	FILTRO 21 GR SENZA BORDATURA
12	F.3.054.X	FILTER 7 GR X ITALIA	FILTRO 7 GR X ITALIA
13	F.3.029.X	FILTER 7 GR X	FILTRO 7 GR X
14	F.3.028.X	FILTER 14 GR X	FILTRO 14 GR X
15	F.3.027.X	FILTER 17 GR X	FILTRO 17 GR X
16	F.3.026.X	FILTER 21 GR X	FILTRO 21 GR X
Item	Part number/Codice	Description	Descrizione

HOSE AND ACCESSORIES



MULTIPARAMETER WATER TEST KIT 9





la marzocco

handmade in florence

HOSE AND ACCESSORIES

Tubi e Accessori

1	L305/050.01	BRAIDED HOSE CM.50 3/8 F	TUBO FLESSIBIL INOX 3/8F CM.50	
	L306/050	BRAIDED HOSE 3/8 COMPR. WR17 50CM NSF	TUBO FLEX 3/8 COMPR. CH17 50CM NSF	
	2	L305/120.01	BRAIDED HOSE CM.120 3/8 F	TUBO FLESSIB INOX 3/8F CM.120
		L306/120	BRAIDED HOSE 3/8 COMPR. WR17 120CM NSF	TUBO FLEX 3/8 COMPR. CH17 120CM NSF
	3	L305/210.01	BRAIDED HOSE CM.210 3/8F	TUBO FLESSIB INOX 3/8F CM.210
		L306/210	BRAIDED HOSE G3/8F WR20 210CM NSF	TUBO FLEX G3/8F CH20 210CM NSF
		L306/210/C	BRAIDED HOSE G3/8F WR20 210CM NSF CURVED	TUBO FLEX G3/8F CH20 210CM NSF C/CURV.
		T.5.003	BRAIDED HOSE 3/8 COMPR. WR17 210CM NSF	TUBO FLEX 3/8 COMPR. CH17 210CM NSF
	4	L308	CLEAR ARMoured DRAIN HOSE	TUBO PU AIR SCARICO ACQUA DIA 20
	5	L312	HOSE CLAMP	FASCETTA SERRATUBO 16/25 H.8
	6	UT360/42	HEATING ELEMENT TOOL 40/42	CHIAVE RESISTENZA 40/42
	7	V067	LA MARZOCCO PURO CAFF POWDER	POLVERE LA MARZOCCO PURO CAFF
	8	UT107	BENT WRENCH WR14 FOR GROUP TUBE	CHIAVE PIEGATA CH14 PER TUBO GRUPPO
9	F.9.000.01	MULTIPLE PARAMETER TEST KIT	KIT PER ANALISI DELL'ACQUA	
10				
12	F.1.065	HTC THERMAL COMPOUND SYRINGE 2ML	SIRINGA GRASSO TERMICO HTC 2ML	
13	UT008	GASKET PICK	ESTRATTORE PER GUARNIZIONI	
Item	Part number/Codice	Description	Descrizione	

LA MARZOCCO SRL
Via La Torre, 14/H
Localita' La Torre
50038 Scarperia e San Piero
(Florence) - ITALY
T. +39 055 849 191
F. +39 055 849 1990
info@lamarzocco.com
www.lamarzocco.com