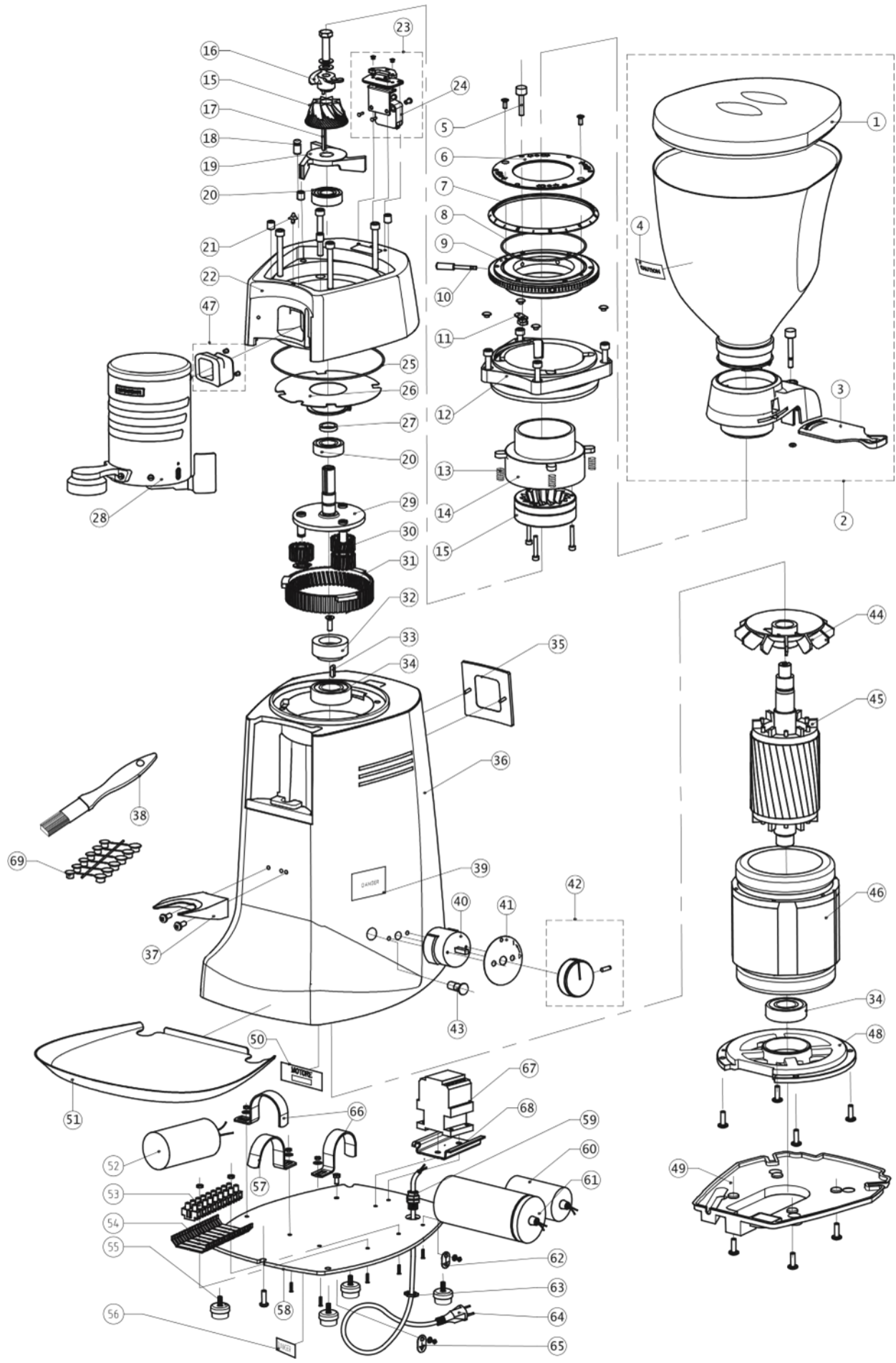


EXPLODED VIEW
ROBUR S AUTOMATIC GRINDER DOSER





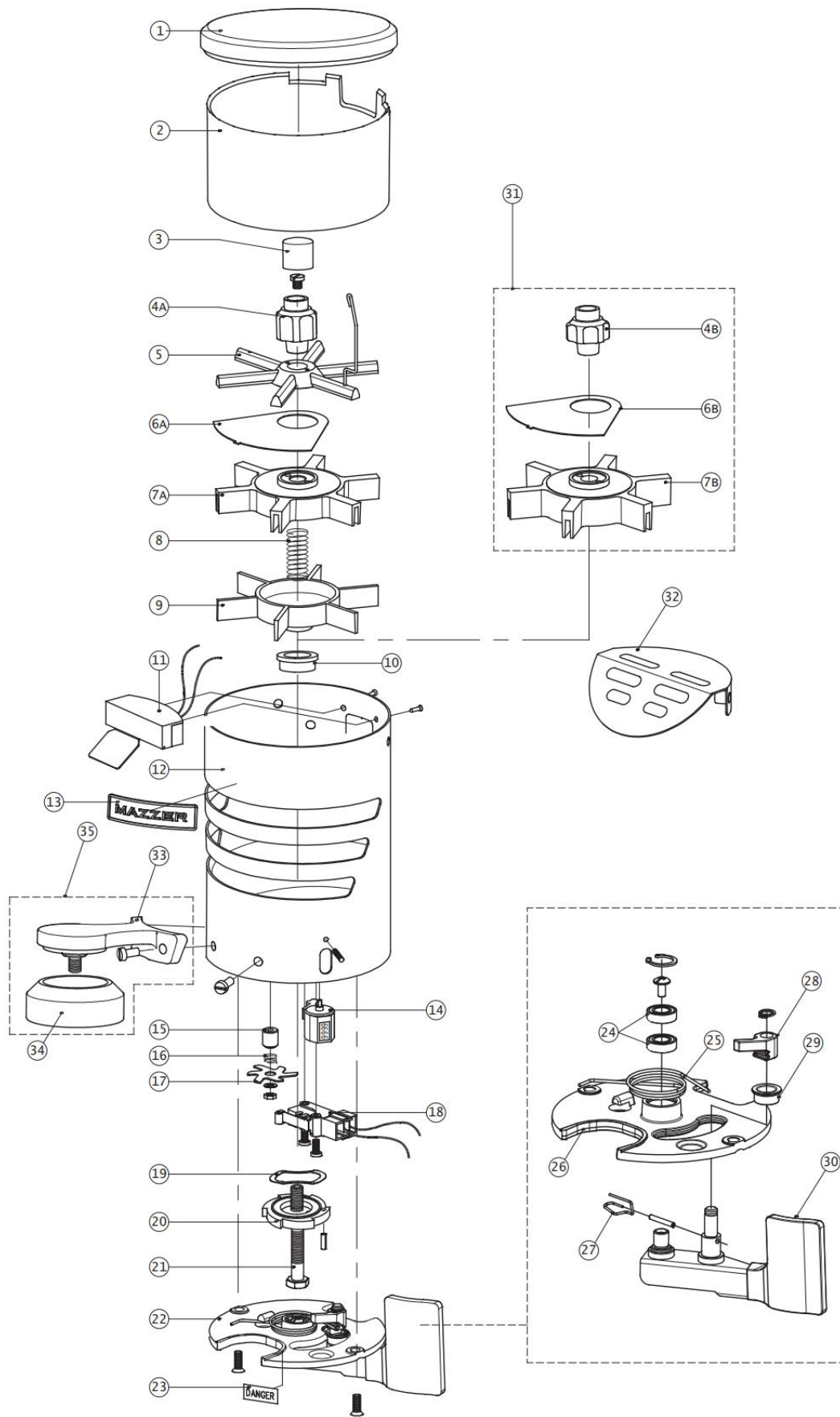
For questions about parts, or to place an order over the phone, contact La Marzocco Solutions at

1-206-706-9104 ext 101. Orders can be emailed to parts.usa@lamarzocco.com

LM USA generated part numbers (M*****) and Mazzer factory numbers (S*****/**Q) are used in this catalog.

Desc. No.	Part Number	Description
1	M28053001	HOPPER LID ROBUR S
2	M28351005	ROBUR S HOPPER
3	M28326011	Robur S, Major V, ZM Collar Locking Slide
4	Not available	
5	M28360021	Locking Pin for Robur S Grind Adjustment Disk
6	M28682	Closing Plate for Robur S Grinding Adjust Disk
7	M28681	Graded Ring for Robur S Grind Adjustment Disk
8	M28680001	O-Ring 2375 NBR70
9	M28158001	Robur S, Major V Grind Adjustment Disk
10	M28360012	Grinding Adjustment Disk Handle
11	M28360019	Lock Nut for Grinding Adjustment Disk
12	M28360031/RS	Holder for Robur S Grinding Adjustment Disk
13	S000MOB14/AQQ	GRINDING ADJUSTMENT SPRING
14	M28360030/RS	UPPER GRINDING BLADE HOLDER
15	M282186	186-C Conical Burrs, Robur / Kold
16	Not available	
17	M28254001	Key 3 x 3 x 28
18	M28243001	Pin, for Robur 'S' Duct Insert
19	M28253/RS	Lower Burr Holder, Robur 'S' Single Phase
20	M28057	Bearing, 6202 (Swift)
21	M28253001	Grinding Adjustment Index, Robur 'S' / Kold 'S'
22	Not available	
23	M28245	Automatic Robur S Wired Safety Switch
24	M28241002	Hopper Safety Switch
25	M28680002	O-Ring 2500 NBR70
26	M28680020	Disk to Close Robur 'S' Body-Head
27	M28396002	Thickness Planetary Shaft
28	M28102	DOSER FOR ROBUR S
29	M2836601	Robur 'S' Single PHase Shaft w/ 3 Pivots
30	M28395	Gear Reduction
31	M28395001	Outer Reduction Gear
32	M28397	Reduction Planet
33	M28255	4 X 4 X 14 Key
34	M28063	Bearing, 6204
35	S000TAA28/QQQ	4M PLATE FOR ROBUR S

Desc. No.	Part Number	Description
36	Not available	
37	M28122	Fork (Standard Doser)
38	Not available	
39	Not available	
40	M28166	Two Pole Rotative Switch+ Aux On/Off/Start
41	S000ETA32/QQQ	SWITCH LABEL - O/I/START
42	M28166/RS	Aluminum Switch Knob w/ Insert Robur S, Major V
43	M28258006/RS	Pilot LED Light, 110v, Red
44	Not available	
45	Not available	
46	Not available	
47	Not available	
48	Not available	
49	Not available	
50	Not available	
51	TRAY/LG-RS	Robur S, Major V Drip Tray
52	M19058	Capacitor 60 uF
53	M28903	Terminal Blocks
54	M28904	"Under" Terminal Blocks
55	M28258	Standard Foot, Mini, Lux, Super Jolly, Major
56	Not available	
57	M5006601	Capacitor Locking Clamp D.50
58	Not available	
59	M30020	Cable Locking, Black
60	M28346	New Style, Relay for Robur / Kold
61	M19060	Capacitor 80 uF
62	M28902	Ground Plate
63	M30021	Nut for Cable Locking
64	M30022	Power Cable
65	M28905	External Unipotential Clamp, Plate
66	M50066	Capacitor Locking Clamp
67	M28341/NT	Contacto 110V/60 HZ 18 AMP (Large)
68	S000BC000/QQQ	RAIL FOR CONTACTOR
69	S00SCAP01/QQQ	KIT OF CAPS FOR GRINDING ADJUSTMENT DISK



Desc. No.	Part Number	Description
1	M28053003	Doser Lid, Major V, Robur S Doser
2	M28051/Robur S	Cylinder Window, Inside window Robur S
3	S000CPD01/QQQ	DOSE ADJUSTMENT KNOB Cover
4A	S000MAB02/BQQ	DOSE ADJUSTMENT KNOB
4B	S000MAB03/BQQ	OVERSIZED DOSE ADJUSTMENT KNOB
5	M28300	Upper Dosing Star, Super Jolly, Kony, Major V
6	M28323	Coffee Outlet Cover Plate
7	M28301	Female Dosing Star
8	M28218	Dosing System Pressing Spring
9	M28302	Male Dosing Star
10	S000BOC13/AQQ	RATCHET BUSH
11	M28240/A	Complete Upper Microswitch Auto, SJ KO RO MV S
12	S000TUA06/QQQ	DOSER PIPE FOR ROBUR S
13	S000TAA24/QQQ	MAZZER PLATE
14	S00SCOB02/AQQ	COMPLETE COUNTER
15	S000DIA01/AQQ	LOWER MICROSWITCH STAR SPACER
16	S000MOB06/QQQ	LOWER MICROSWITCH SPRING
17	S000STA05/QQQ	LOWER MICROSWITCH STAR
18	M28239	Lower Micro Switch (MV too)
19	S000ANA01/QQQ	CORRUGATED RING D.32 MM.
20	S000CRA04/AQQ	RATCHET
21	M28394	Doser Adjustment Screw M8X70
22	M28126	Doser Bottom Plate Complete
23	Not available	
24	S000CUA14/QQQ	BEARING 688 ZZ
25	S000CUA14/QQQ	DOSING LEVER RETURN SPRING
26	S000FOA05/QQQ	DOSER BOTTOM
27	M28231	Nose Spring
28	M28249000	Nose/Accaido SS 304
29	S000BOC12/QQQ	PLAIN BEARING FOR DOSER BOTTOM
30	S00SLEA08/QQQ	DOSING LEVER
31	Not available	
32	M28250	Mazzer Coffee Outlet Guard (w/screws)
33	Not available	
34	Not available	
35	Not available	

Adapted from Mazzer catalog ESRDOS 06.04.2021 by La Marzocco USA.

MAZZER LUIGI S.p.a
VIA MOGLIANESE, 113
30037 GARDIGIANO DI SCORZE' (VE)
ITALIA
mazzer.com/en/

LA MARZOCCO USA LLC
1553 NW BALLARD WAY
SEATTLE, WA 98107
USA
lamarzoccouusa.com