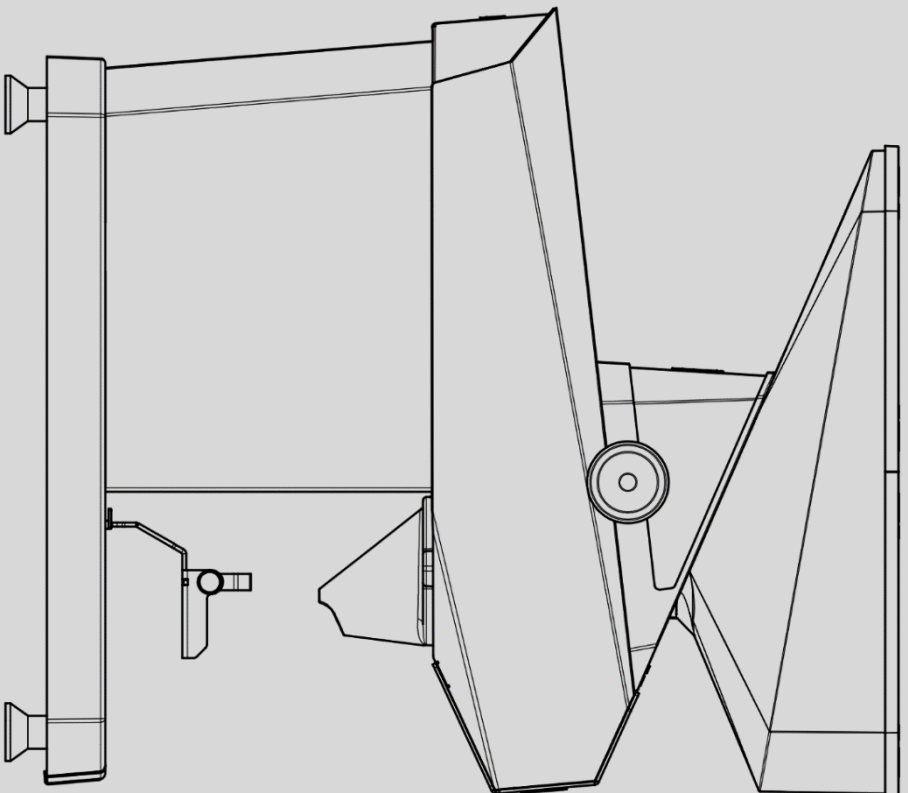


# parts catalog

## swan



**la marzocco**  
handmade in florence



Please consider the environment before printing



**la marzocco**  
handmade in florence

# INDEX

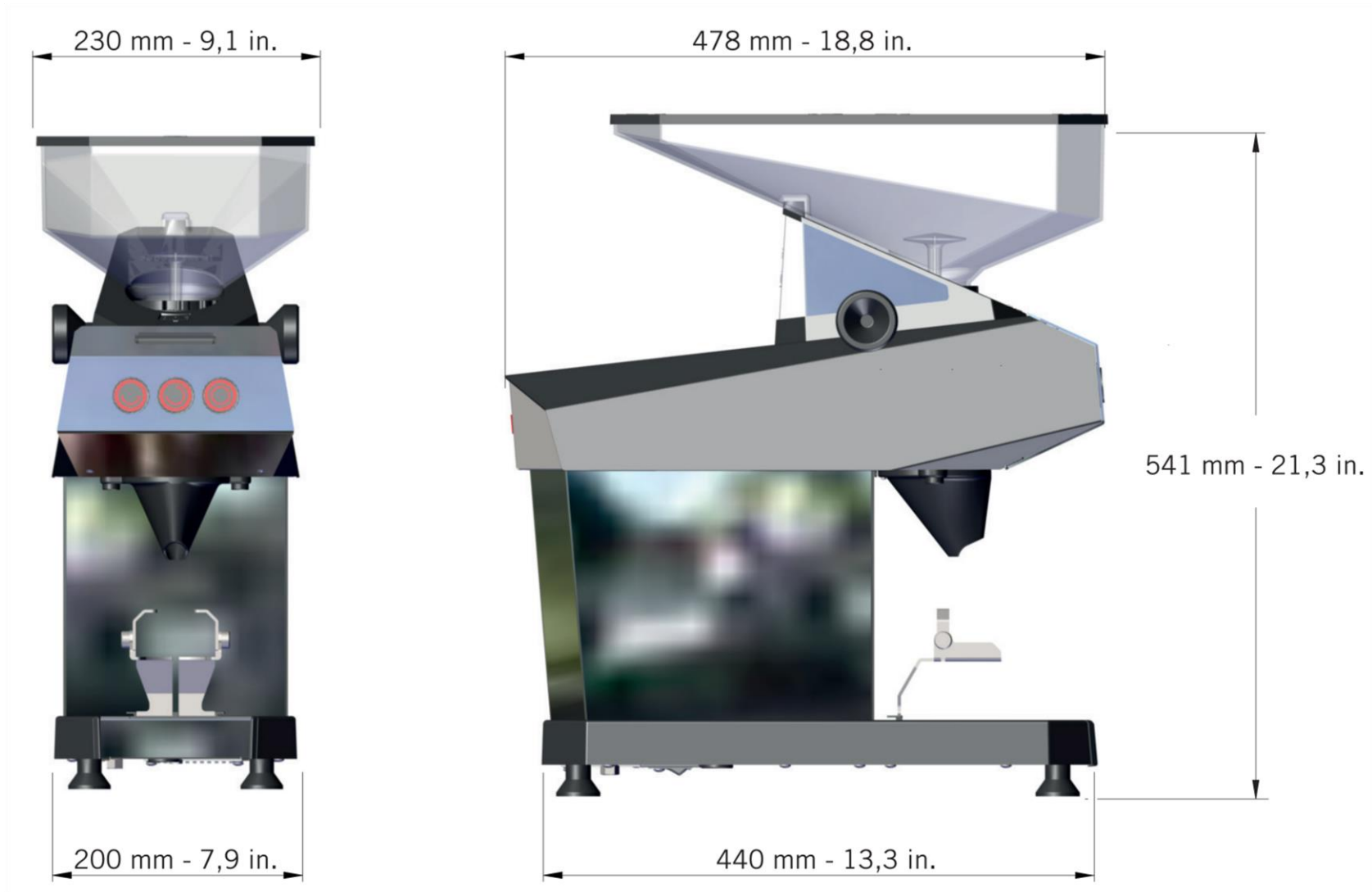
	Pag.
Specifications	4
Swan Assembly	6
Accessories	24



**la marzocco**

handmade in florence

## SPECIFICATIONS





**la marzocco**

handmade in florence

## SPECIFICATIONS

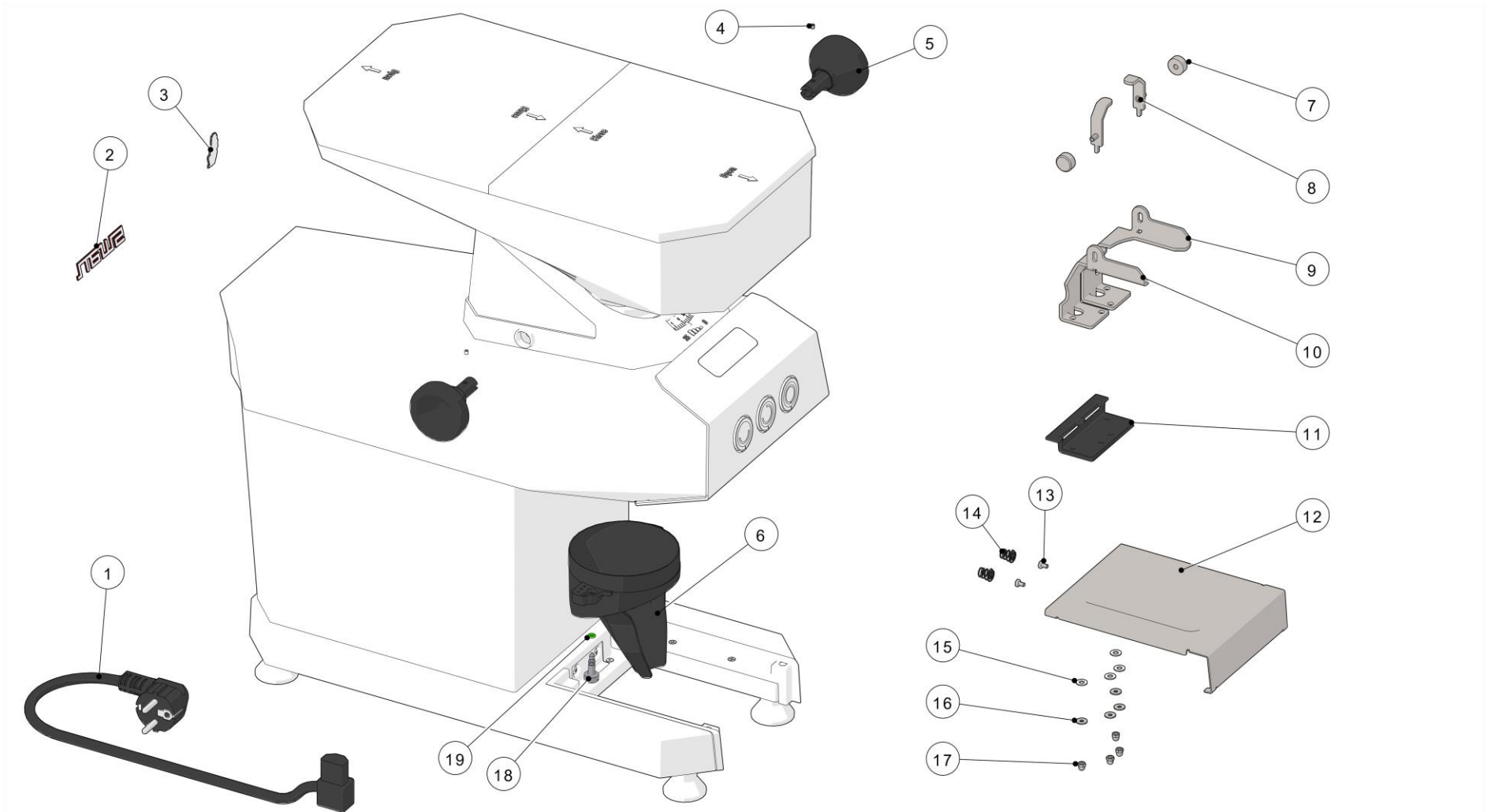
Width	mm	230
	in	9,1
Height	mm	541
	in	21,3
Depth	mm	478
	in	18,8
Machine weight	Kg	25
	lb	55,1
Electrical Voltage	VAC	110VAC Single Phase - 8,5 Amps
		220VAC Single Phase - 6 Amps



**la marzocco**

handmade in florence

## SWAN ASSEMBLY





**la marzocco**

handmade in florence

## SWAN ASSEMBLY

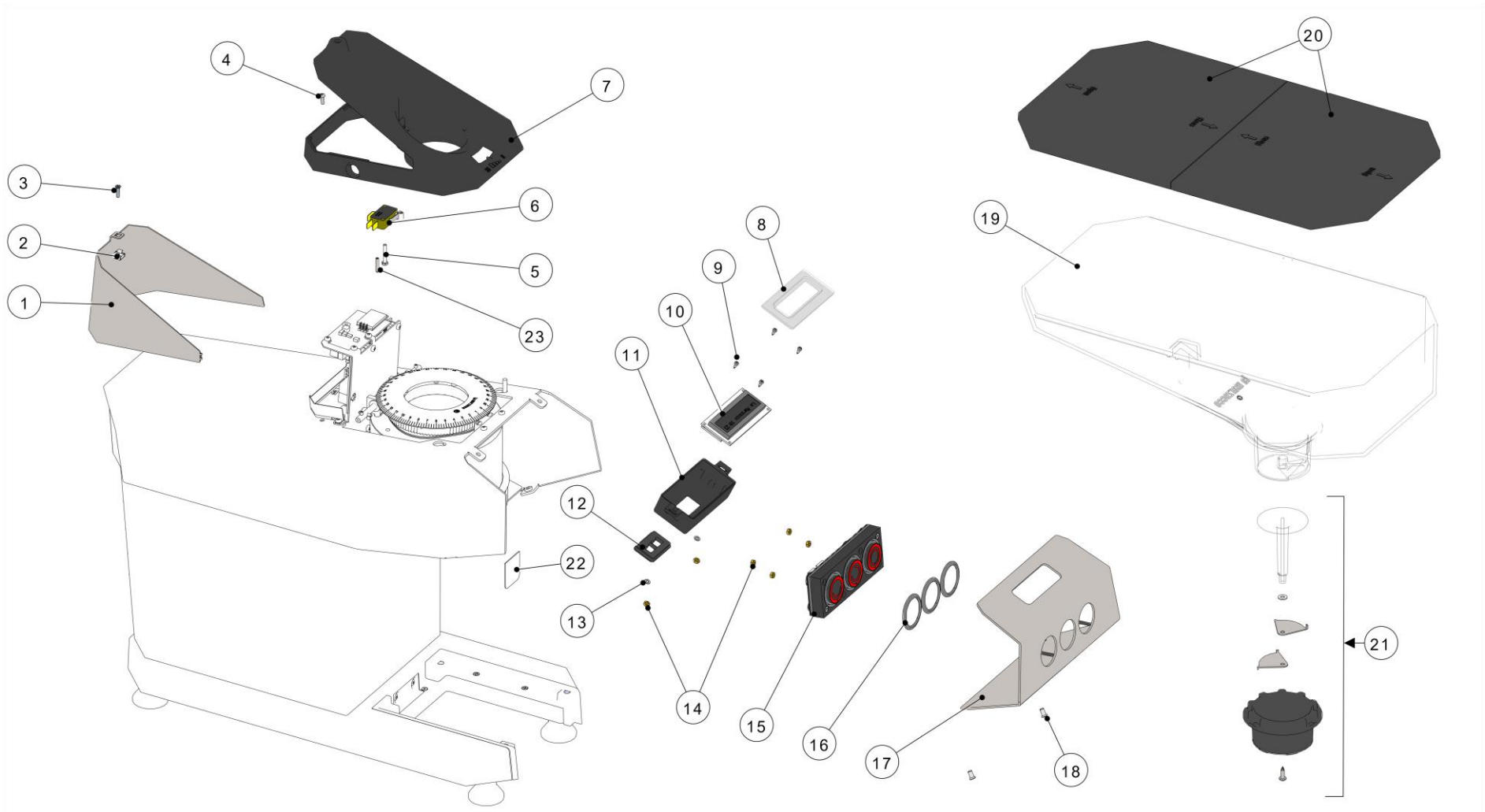
Item	Part number	Description
0001	E.4.356	POWER CORD 3XAWG14 NORTH AMERICA
0002	D.4.044	LOGO SWAN RAL 3002
0003	D.3.036	LOGO LION ADHESIVE
0004	1.1.130	SOCKET GRUB SCREW M3X3 S/S
0005	F.6.020.01	HANDLE GRINDING ADJUSTMENT
0006	1302	KIT WIPER CHUTE SWAN
0007	F.3.149	HANDLE PORTAFILTER HOLDER ADJUSTMENT
0008	C.1.529	PLATE PORTAFILTER HOLDER
0009	F.3.129.01	SUPPORT PORTAFILTER RIGHT
0010	F.3.128.01	SUPPORT PORTAFILTER LEFT
0011	F.1.199.01	INSULATING PORTAFILTER SUPPORT
0012	C.1.533	BOX COFFEE POWDER
0013	1.1.054	SCREW M3X5 PHILLIPS ROUND PAN S/S A2
0014	F.3.021.01	SPRING 0,7X10,6X10,6 NICKEL P. CONICAL
0015	F.1.291	BUSH ESSENTRA MNI-5-3
0016	1.1.149	WASHER 3,2X9X0,8 S/S A2
0017	1.1.108	CAP NUT M3 H6,5 CH5,5 S/S
0018	F.6.019	CAPTIVE SCREW M4X10 ALUMINUM
0019	H.1.007.01	O-RING 1,78x2,9 FKM 70 ShA



la marzocco

handmade in florence

# SWAN ASSEMBLY







**la marzocco**

handmade in florence

## SWAN ASSEMBLY

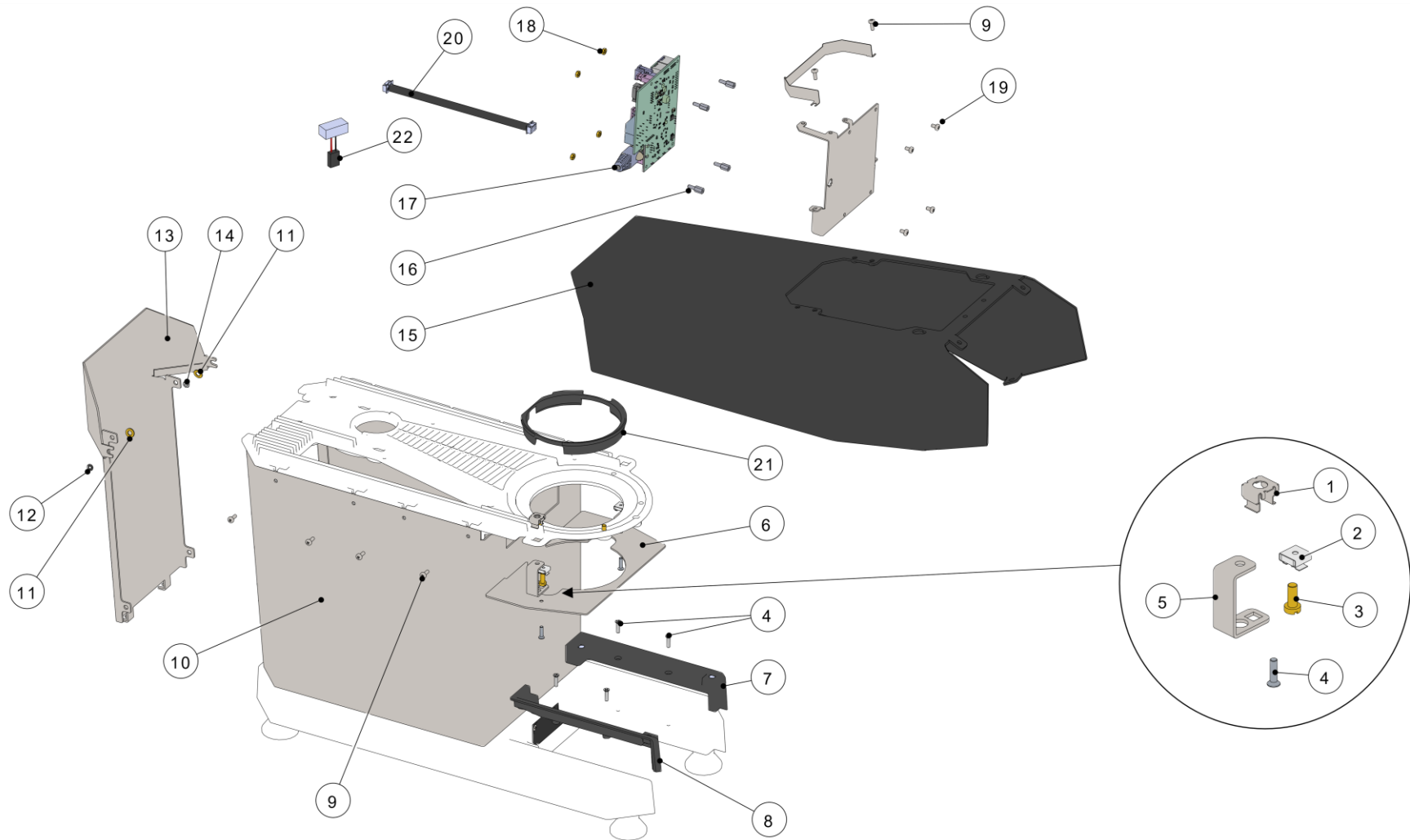
Item	Part number	Description
0001	F.3.130	COVER ELECTRONIC BOX GRINDER
0002	1.1.106	CAGE NUT M3 S1,7-2,3 S/S
0003	1.1.045	SCREW M3X12 PHILLIPS COUNTERSUNK S/S A2
0004	VITE3X8	SCREW M3X8 PHILLIPS ROUND-PAN S/S A2
0005	1.1.055	SCREW M3X20 HEX HEAD S/S A2
0006	E.2.076	MICROSWITCH 26A 250V
0007	F.1.171.01	SUPPORT HOPPER GRINDER
0008	F.1.197	GLASS DIPLAY OLED FLAT SP. 4MM
0009	1.1.086	SELFTAP.SCREW 2,2X6,5 PHIL.ROUND-PAN S/S
0010	E.1.024	DISPLAY OLED RED LINEA PB
0011	F.1.200.01	BOX DISPLAY O-LED FLAT
0012	H.3.016	SEALING REAR COVER DISPLAY
0013	RONDINOXGS/3	WASHER 3X6X0,5 S/S A2
0014	DADO3M	NUT M3 H3 WR5,5 BRASS
0015	E.2.078	KEYPAD 3 BUTTONS BLACK RED LED
0016	F.1.048	LINEA PB PUSH BUTTON WAY
0017	C.1.520	PANEL COMMAND GRINDER
0018	1.1.088	SCREW M4X8 PHILLIPS COUNTERSUNK S/S
0019	F.1.176.02	HOPPER GRINDER
0020	F.1.177	COVER HOPPER GRINDER
0021	C.1.513.R	KIT BEAN GATE
0022	D.5.165	PROTECTION STICKER SWAN
0023	I.1.227	SOCKET GRUB SCREW M3X16 INOX A2 ISO 4027



la marzocco

handmade in florence

# SWAN ASSEMBLY





**la marzocco**

handmade in florence

## SWAN ASSEMBLY

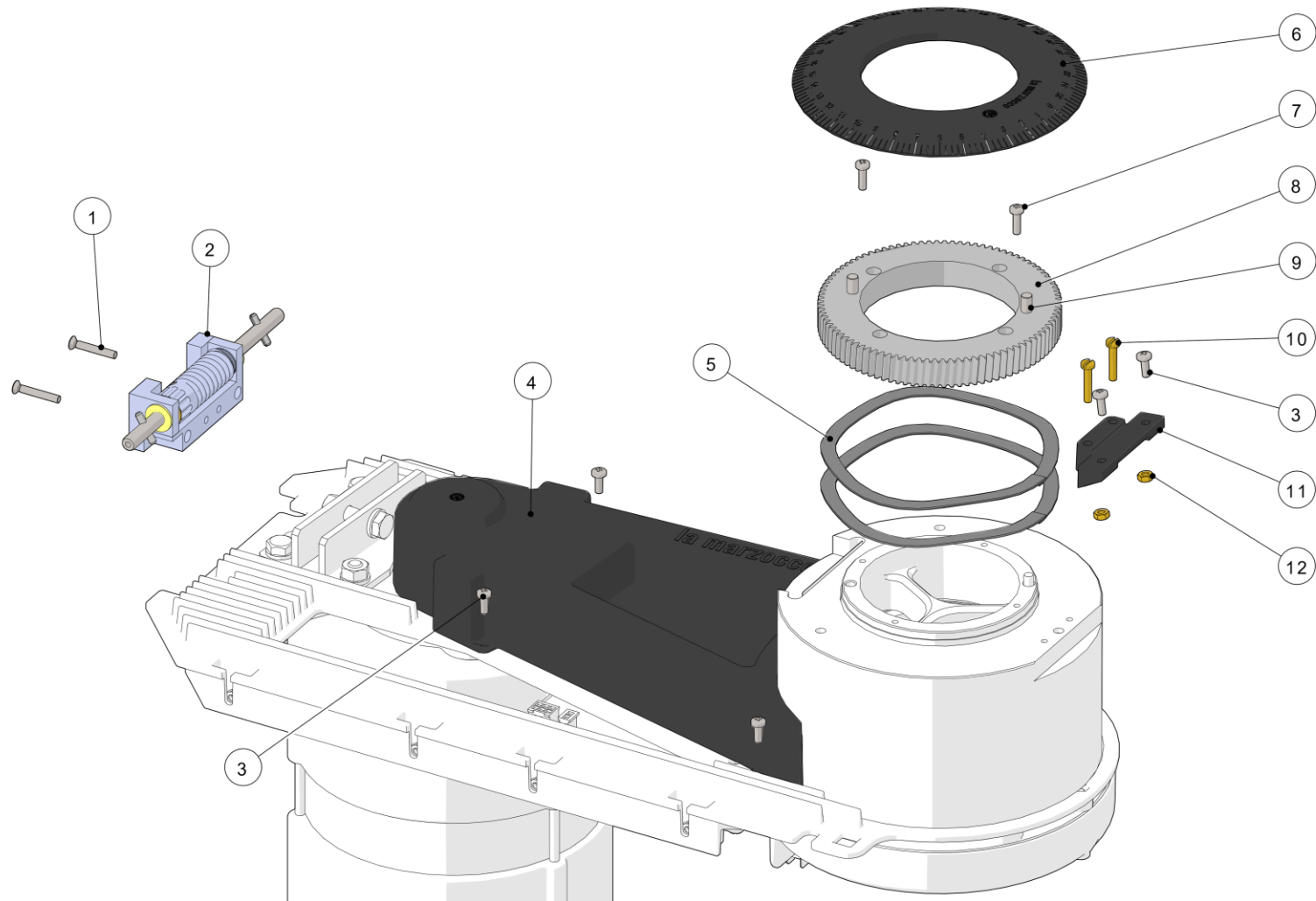
Item	Part number	Description
0001	DADOGABBIAM4	CAGE NUT M4 S/S
0002	1.1.106	CAGE NUT M3 S1,7-2,3 S/S
0003	VITE4X10	SCREW M4X10 CHEESE BRASS
0004	1.1.045	SCREW M3X12 PHILLIPS COUNTERSUNK S/S A2
0005	C.1.521	SUPPORT COVER LOWER GRINDING GROUP
0006	C.1.517	COVER LOWER GRINDING GROUP
0007	F.1.182.DX.R	SUPPORT BOX COFFEE POWDER RIGHT W/MAGNET
0008	F.1.182.SX.R	SUPPORT BOX COFFEE POWDER LEFT W/MAGNET
0009	VITE3X8	SCREW M3X8 PHILLIPS ROUND-PAN S/S A2
0010	C.1.518.01	COVER LOWER GRINDER
0011	RONDELLA4X9	WASHER 4X9X0,8 BRASS
0012	H.1.007.01	O-RING 1,78x2,9 FKM 70 ShA
0013	C.1.519	COVER PANEL BACK GRINDER
0014	DADOINOXM3	NUT M3 H2 WR5,5 S/S A2
0015	C.1.512.60	COVER UPPER GRINDER BLACK
0016	1.2.006	SPACER M3X8-M3X5 WR5 BRASS TREATED
0017	E.1.056	ELECTRONIC BOARD GRINDER
0018	DADO3M	NUT M3 H3 WR5,5 BRASS
0019	1.1.054	SCREW M3X5 PHILLIPS ROUND PAN S/S A2
0020	E.4.260	CONTROL PANEL WIRING KIT
0021	F.1.201.01	RING GUIDE COFFEE CHUTE
0022	E.4.377	CIRCUITO RC



**la marzocco**

handmade in florence

## SWAN ASSEMBLY





**la marzocco**

handmade in florence

## SWANT ASSEMBLY

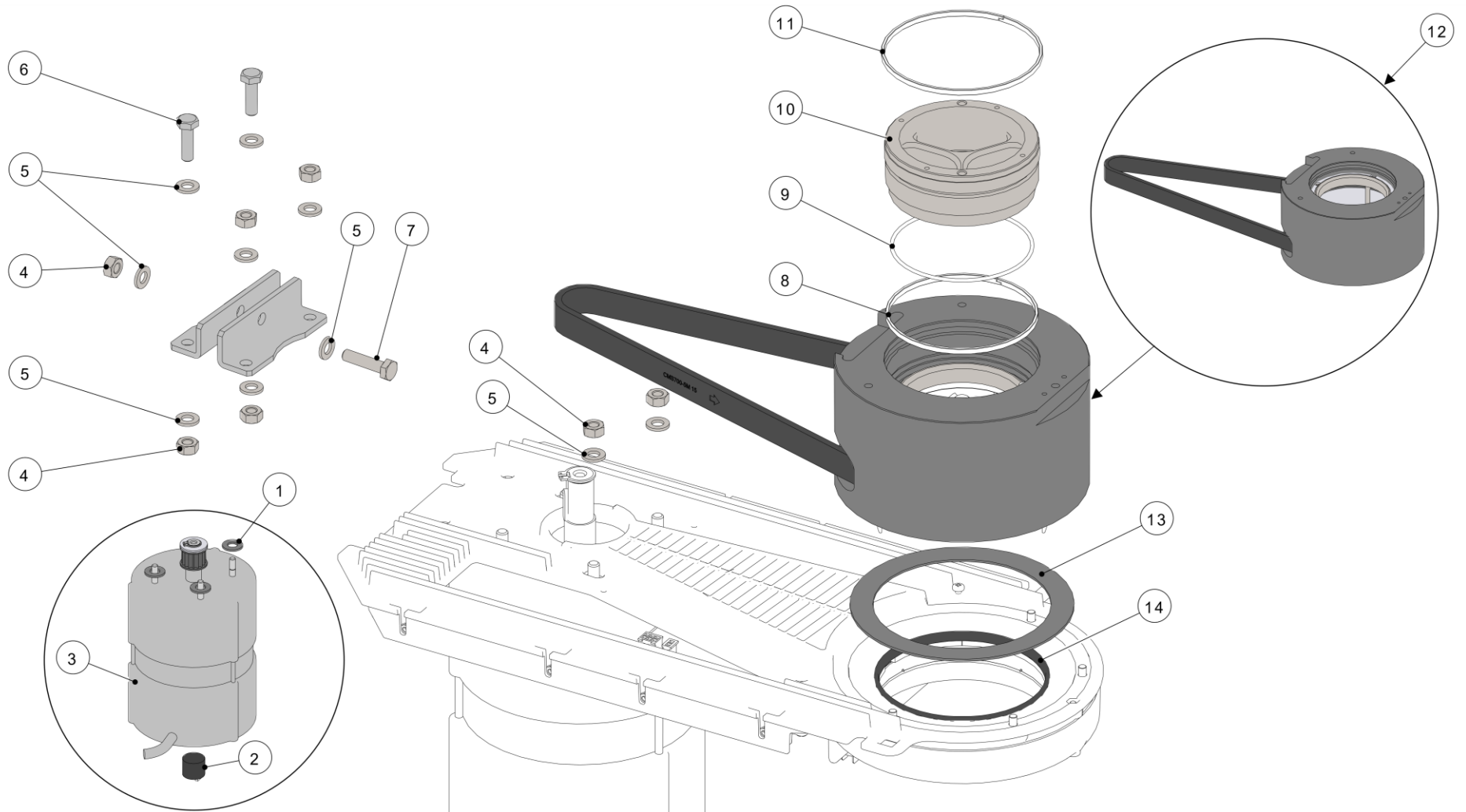
Item	Part number	Description
0001	1.1.211	SCREW M5X25 PHILLIPS COUNTERSUNK S/S A2
0002	1038	SETTING SCREW ASSEMBLY SWAN
0003	VITE3X8	SCREW M3X8 PHILLIPS ROUND-PAN S/S A2
0004	F.1.165	BELT COVER
0005	1.5.007	WAVE SPRING D95
0006	F.1.164	RING NUT ADJUSTMENT GRINDING
0007	VITE3X10	SCREW M3X10 PHILLIPS ROUND-PAN S/S A2
0008	F.3.119	GEAR ELICAL D95
0009	1.1.157	ROLL PIN 4,5X7X4
0010	VITE3X16	SCREW M3X16 CHEESE BRASS
0011	F.1.166	FRONT SUPPORT UPPER CARTER
0012	DADO3M	NUT M3 H3 WR5,5 BRASS



**la marzocco**

handmade in florence

## SWAN ASSEMBLY





**la marzocco**

handmade in florence

## SWAN ASSEMBLY

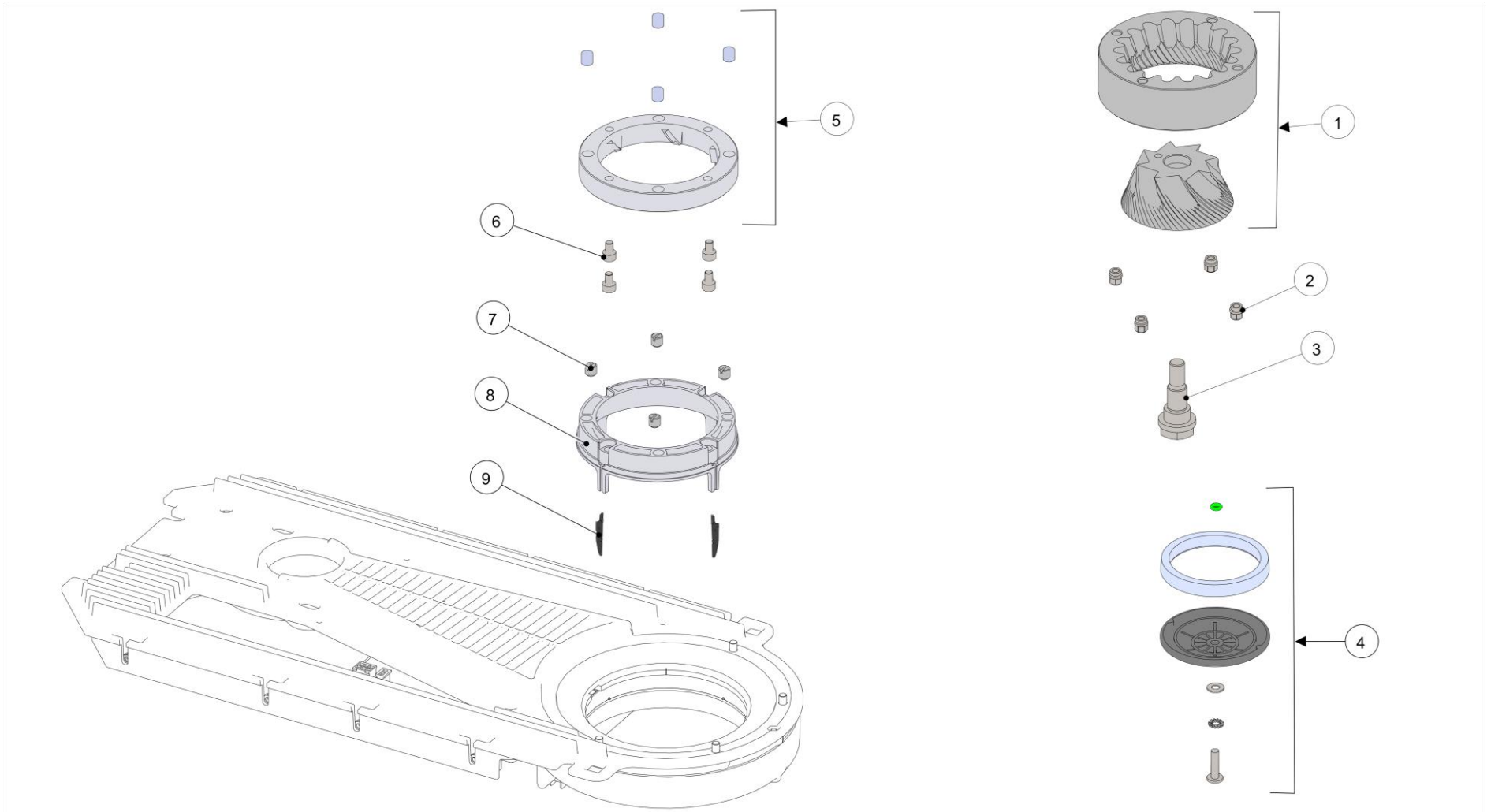
Item	Part number	Description
0001	F.1.157	SPACER 21X10,5X2 PEEK
0002	E.2.081	ENCODER ROTARY ABSOLUTE 12BIT 5V SPI
0003	E.7.009.R	MOTOR THREE-PHASE 230V 350W ASSEMBLY
0004	1.1.049	NUT M6 H5 WR10 S/S A2
0005	RONDELLA6X12	WASHER 6,4X12X1,5 S/S A2
0006	VITE6X20	SCREW M6X20 HEX HEAD GALVANIZED
0007	1.1.067	SCREW M6X25 HEX HEAD S/S A2
0008	F.4.015	RING D77,5X1,5 H3 PTFE
0009	H.1.045	O-RING 1,78X69,57 PTFE
0010	A.5.133.01	MOUNT BURR INTERNAL
0011	F.4.016	RING D82X1,5 H3 PTFE
0012	1301	GRINDING GROUP ASSEMBLY
0013	1.5.006	BELLEVILLE SPRING 114X90,5X1,26
0014	H.3.014	SEALING 89X85X4,7 POM



**la marzocco**

handmade in florence

## SWAN ASSEMBLY







**la marzocco**

handmade in florence

## SWAN ASSEMBLY

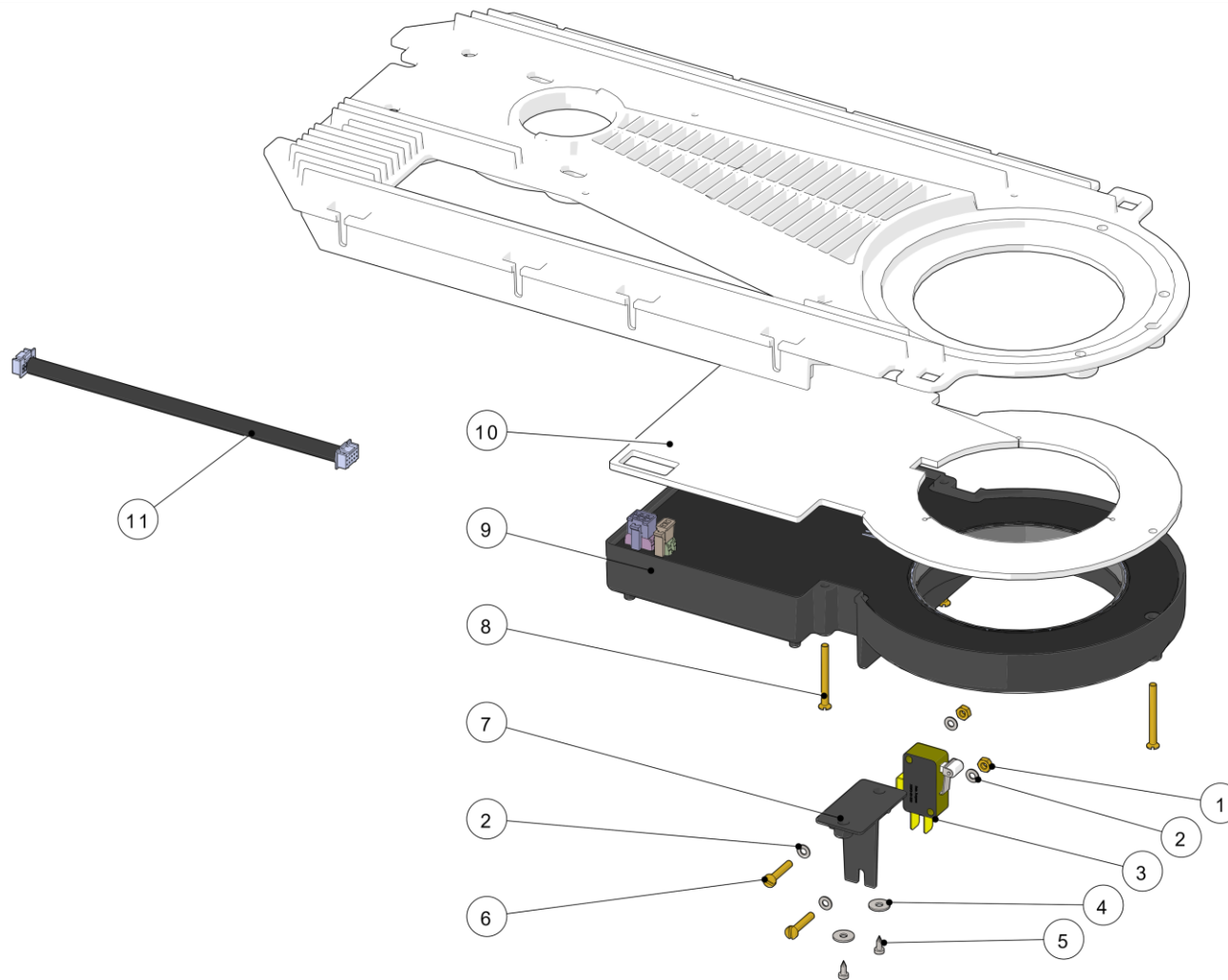
Item	Part number	Description
0001	1303	KIT CONICAL MALE BURRS Ø83 SWAN
0002	1.1.223	SPECIAL NUT M4 H7,5
0003	F.3.124.01	SCREW INTERNAL BURR
0004	1055	COMPRESSOR RING ASSEMBLY
0005	1056	EXTRUDER RING W/ MAGNETS
0006	1.1.225	SCREW M4X6 SOCKET CAP S/S A2
0007	1.1.224	GRUB SCREW M6X6 DIN 551
0008	F.1.178.02	EXTRUDER DISCHARGE CONE
0009	F.2.059	WIPER



**la marzocco**

handmade in florence

## SWAN ASSEMBLY





**la marzocco**

handmade in florence

## CONTROL PANEL ASSEM. – BARISTA LIGHT

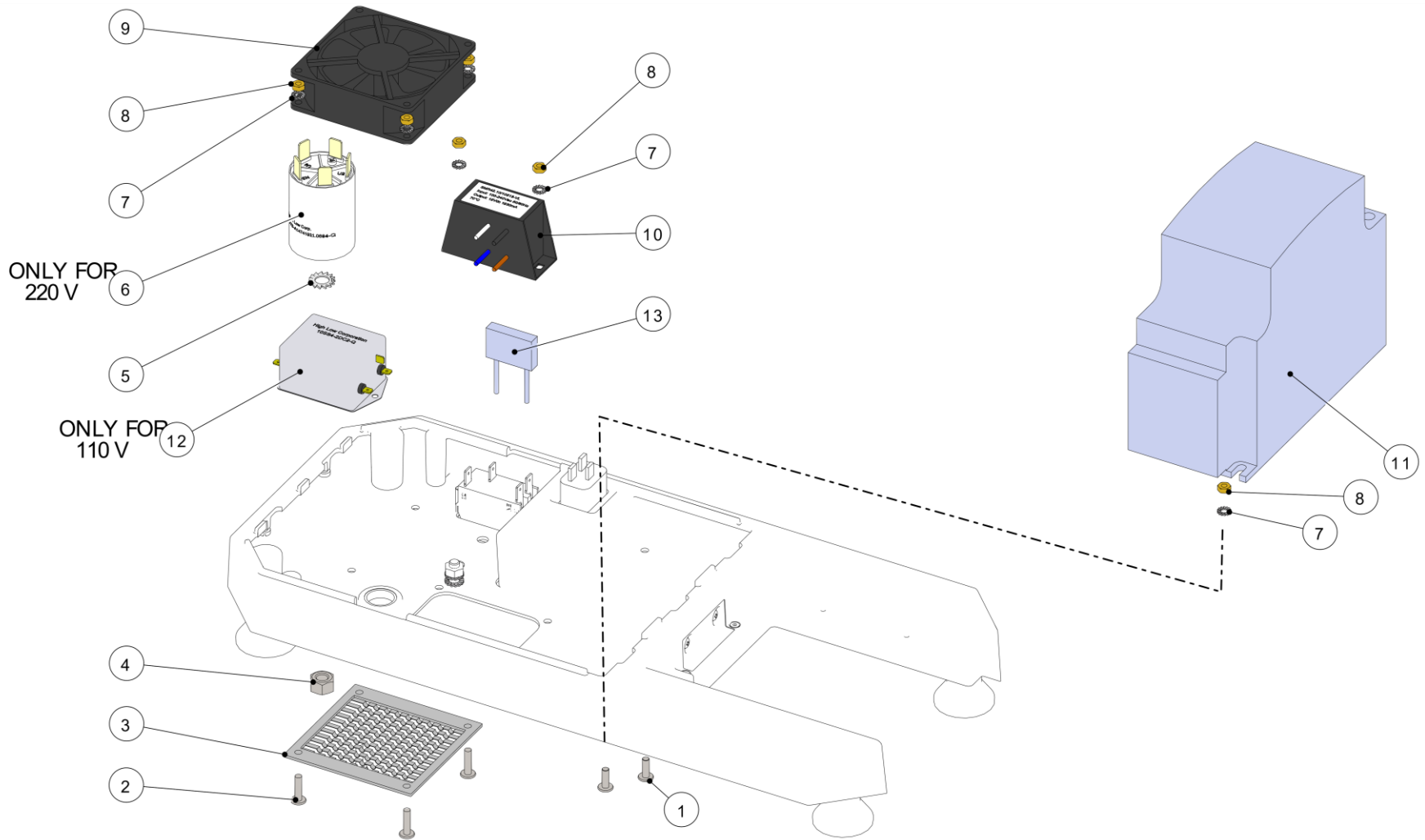
Item	Part number	Description
0001	DADO3M	NUT M3 H3 WR5,5 BRASS
0002	RONDINOXGS/3	WASHER 3X6X0,5 S/S A2
0003	E.2.076	MICROSWITCH 26A 250V
0004	1.1.149	WASHER 3,2X9X0,8 S/S A2
0005	1.1.086	SELFTAP.SCREW 2,2X6,5 PHIL.ROUND-PAN S/S
0006	VITE3X16	SCREW M3X16 CHEESE BRASS
0007	F.1.167	SUPPORT SENSOR COFFEE CHUTE
0008	VITE3X30	SCREW M3X30 SLOTTED COUNTERSUNK BRASS
0009	E.1.065	ELECTRONIC BOARD IONIZING RING
0010	F.2.053	COVER ANTISTATIC RING
0011	E.6.042.R	FLEXIBLE HEATING ELEMENT W/ RING
0012	E.4.259	CABLE CONN. SWAN IONIZING RING



**la marzocco**

handmade in florence

# SWAN ASSEMBLY





**la marzocco**

handmade in florence

## SWAN ASSEMBLY

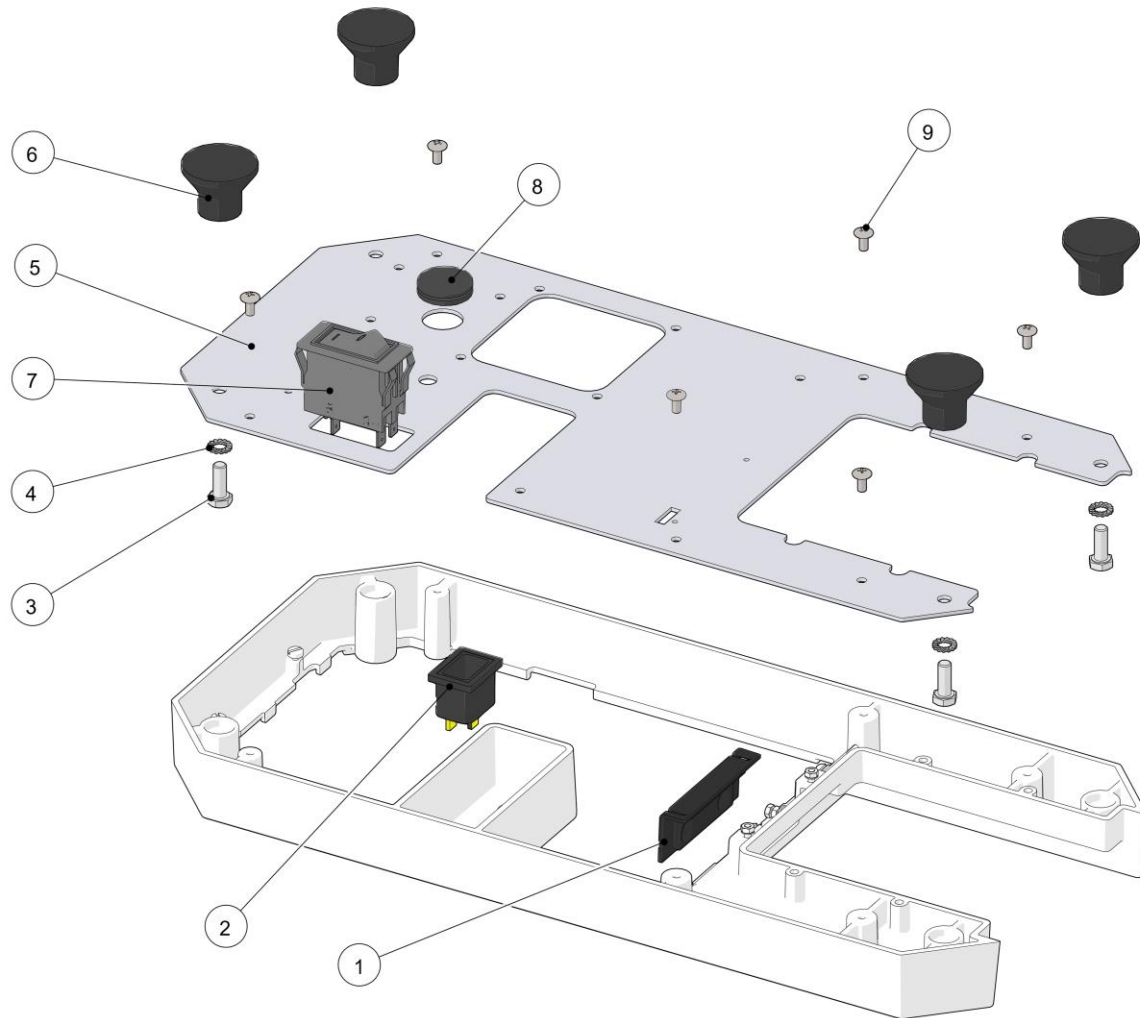
Item	Part number	Description
0001	1.1.006	SCREW M4X8 PHILLIPS BUTTON HEAD S/S A2
0002	1.1.048	SCREW M4X16 PHILLIPS BUTTON HEAD S/S A2
0003	F.3.132	GRID PROTECTION FAN 80MM
0004	L1002	NUT M8 H8 WR13 S/S A2
0005	ROND_DENT_8	TOOTH LOCK WASHER 8X14,7X2 S/S A2
0006	E.2.092	EMI\RFI FILTER 16A
0007	ROND_DENT_4	TOOTH LOCK WASHER 4X8X1 GALVANIZED
0008	DADO4M	NUT M4 H3 WR7 BRASS
0009	E.4.304	WIRED FAN 12V CABLE 70 MM
0010	E.2.082	POWER SUPPLY 12V 15W 100-240V
0011	E.2.077	INVERTER 400W 220V
0011	E.2.091	INVERTER 400W 110V
0012	E.2.110	FILTER EMI/RFI 250V 10A H&L
0013	E.4.346.01	FILTRO EMC CABLATO MICRA



**la marzocco**

handmade in florence

## SWAN ASSEMBLY





**la marzocco**

handmade in florence

## SWAN ASSEMBLY

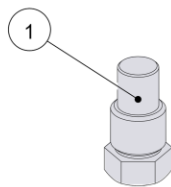
Item	Part number	Description
0001	F.1.170	SUPPORT PORTAFILTER CONTACTS
0002	E.4.246	PLUG PANEL 10A 250V
0003	1.1.038	SCREW M6X16 HEX HEAD S/S A2
0004	ROND_DENT_6	TOOTH LOCK WASHER 6X10,5X1,5 GALVANIZED
0005	C.3.028	BASE PLATE GRINDER
0006	CL41.R	KIT 4 FOOT D35X25 M6 ANTI-STAIN RUBBER
0007	E.2.046.01	SWITCH ROCKER DOUBLE-POLE 10A NEW FRAME
0008	F.2.033	MEMBRANE GROMMET TPE D25.5 H8
0009	1.3.024	SCREW M4X8 SOCKET CAP GALVANIZED



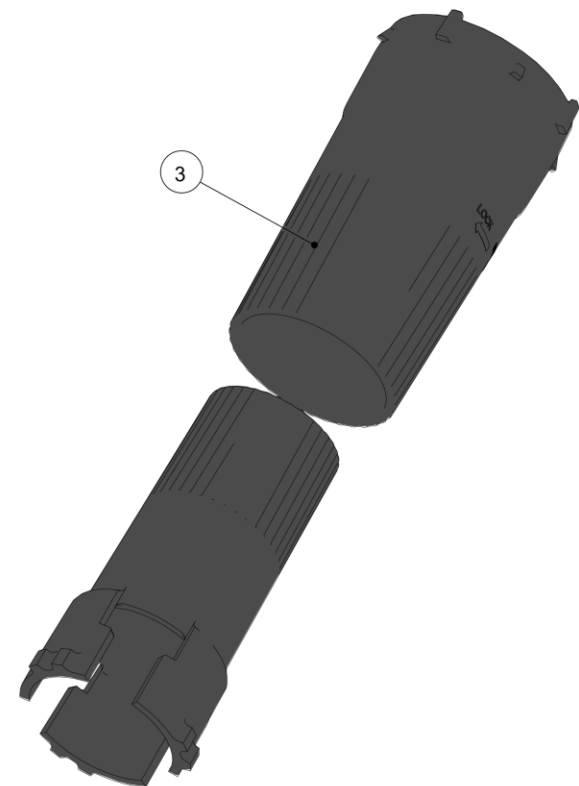
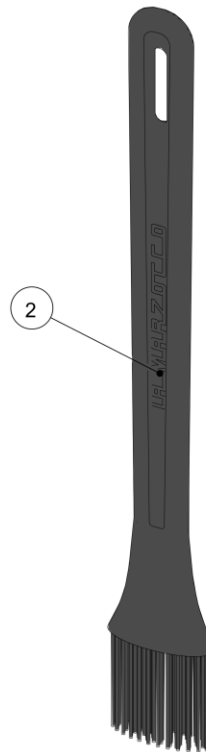
**la marzocco**

handmade in florence

## ACCESSORIES



MALE BURR  
EXTRACTOR







**la marzocco**

handmade in florence

## ACCESSORIES

Item	Part number	Description
0001	UT030	TOOL REMOVE INTERNAL BURR
0002	UT366.01	COFFEE CLEANING BRUSH
0003	UT368	SWAN BURRS REPLACEMENT TOOLS KIT

LA MARZOCCO SRL  
Via La Torre, 14/H  
Localita' La Torre  
50038 Scarperia e San  
Piero  
(Florence) – ITALY  
T. +39 055 849 191  
F. +39 055 849 1990  
info@lamarzocco.com  
www.lamarzocco.com