

EXPLODED VIEW
SUPER JOLLY V UP ELECTRONIC
(touch display model)



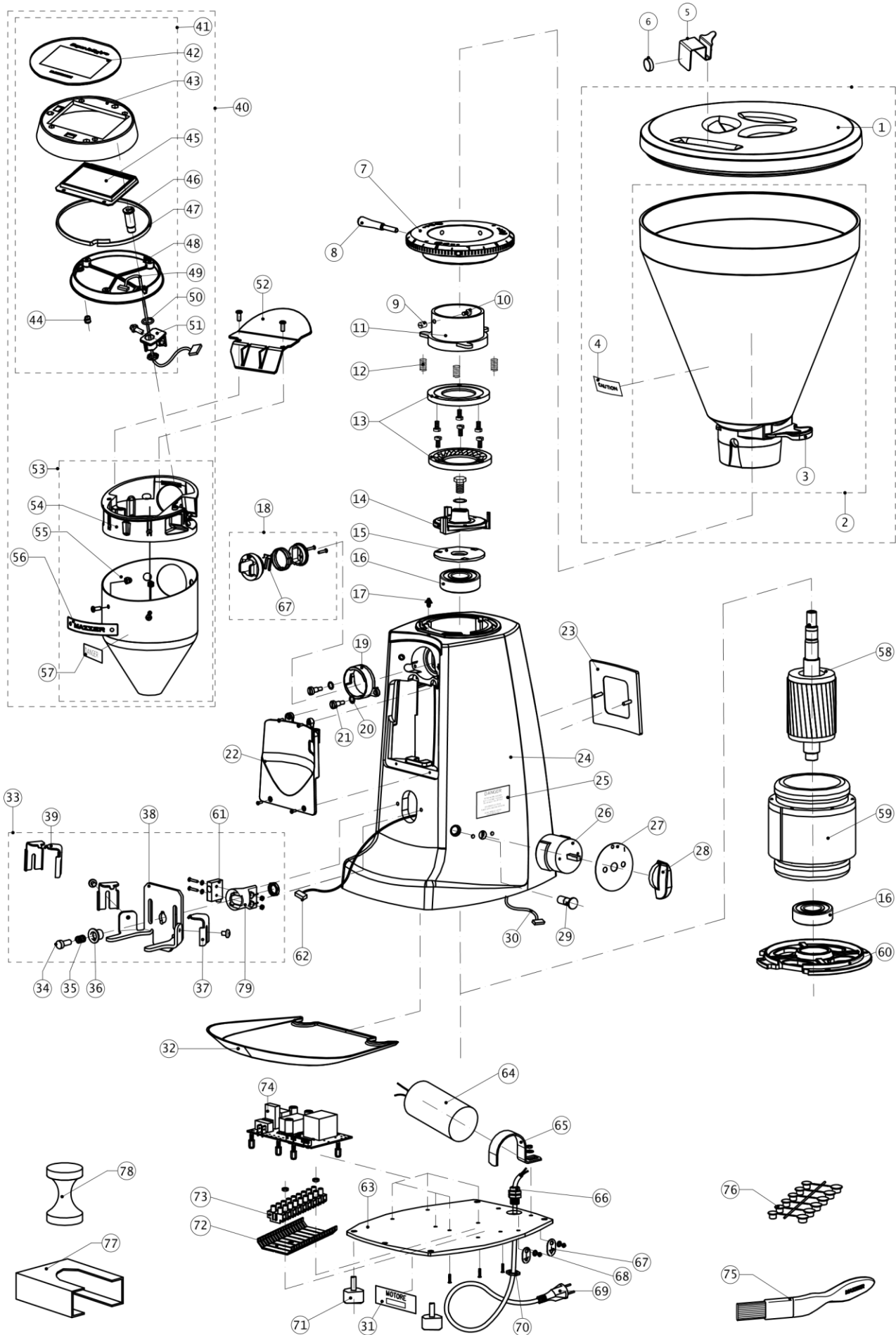
SUPER JOLLY V UP ELECTRONIC - *touch display model*



Adapted from Mazzer catalog ESSJUPE 01.00 09.2022 by La Marzocco USA.

MAZZER LUIGI S.p.a
VIA MOGLIANESE, 113
30037 GARDIGIANO DI SCORZE' (VE)
ITALIA
mazzer.com/en/

LA MARZOCCO USA LLC
1553 NW BALLARD WAY
SEATTLE, WA 98107
USA
lamarzoccousa.com



For questions about parts, or to place an order over the phone, contact La Marzocco Solutions at 1-206-706-9104 ext 101. Orders can be emailed to parts.usa@lamarzocco.com

LM USA generated part numbers (M*****) and Mazzer factory numbers (S*****/**Q) are used in this catalog.

Desc. No.	Part Number	Description
1	M28053002	HOPPER COVER KONY S
2	SSJSCAE01/QQQ	HOPPER WITH LOCKING SLIDE FOR S.JOLLY V
3	SSJ0SEB01/QQQ	LOCKING SLIDE FOR S.JOLLY V HOPPER
4	S000ETA15/BQQ	LABEL: DANGER-HOPPER
5	SK00LAM01/QQQ	SHEET FOR DRIP TRAY LOCKING
6	S000MAG02/QQQ	MAGNET FOR TAG HOLDER
7	Not Available	
8	M28360012	GRINDING ADJUSTMENT DISK HANDLE
9	SSJ0TEP01/QQQ	HEAD FOR S.JOLLY V HOPPER SAFETY PIN
10	SSJ0PEA02/QQQ	SAFETY PIN FOR S.JOLLY V HOPPER
11	SSJ0POA05/QQQ	S.JOLLY V UPPER GRINDING BLADE HOLDER
12	M28233	GRINDING ADJUSTMENT SPRING
13	M28213	GRINDING BLADES 233-M
14	M28253	SUPER JOLLY LOWER GRINDING BLADE HOLDER
15	SSJ0COA03/QQQ	BEARING COVER FOR S.JOLLY V
16	M28057	BEARING 6202 DDU CM
17	M28360022	GRINDING ADJUSTMENT INDEX KO S/MJ V
18	SSJSINS01/QQQ	DUCT INSERT ASSEMBLY S.JOLLY V EL.
19	S000BLB01/QQQ	DUCT INSERT LOCKING
20	S000ANA23/QQQ	O'RING 2021 NBR70
21	S000PEA22/QQQ	FIXING PIN FOR DUCT INSERT LOCKING
22	SSJ0FRA05/QQQ	MOTOR COVER FOR S.JOLLY V
23	S000TAA26/QQQ	MAZZER 4M PLATE
24	Not Available	
25	Not Available	
26	M28161	TWO POLE ROTATIVE SWITCH
27	M28161001	LABEL: SWITCH 0-1
28	M28166/K	ROTATIVE SWITCH KNOB
29	M28258006/RS	PILOT LED LIGHT 110V RED
30	M28702/WIRE	CONNECTION CABLE (BOARD)
31	Not Available	
32	S000PIB02/QQQ	S.JOLLY V UP DRIP TRAY
33	SSJSFOB02/QQQ	S.JOLLY V PORT-A-FILTER HOLDER ASSEMBLY
34	Not Available	
35	Not Available	

Desc. No.	Part Number	Description
36	Not Available	
37	M28123001	SHORT HOOK - ADJ. PORT-A-FILTER HOLDER
38	Not Available	
39	M28123002	LONG HOOK - ADJ. PORT-A-FILTER HOLDER
40	SSJSIMB01/QQQ	FUNNEL ASSEM. DISPLAY S.JOLLY V UP EL
41	SSJSSCD01/QQQ	DISPLAY BOARD ASSEMBLY - S.JOLLY V UP EL
42	Not Available	
43	Not Available	
44	S000PRS02/QQQ	PLASTIC SPRING PLUNGER D. 6
45	Not Available	
46	Not Available	
47	Not Available	
48	Not Available	
49	Not Available	
50	Not Available	
51	Not Available	
52	M28323/RS	COFFEE OUTLET GUARD
53	S00SIMB06/QQQ	FUNNEL ASSEMBLY S.JOLLY V EL
54	Not Available	
55	Not Available	
56	S000TAA23/QQQ	MAZZER 4M PLATE
57	S000ETA14/BQQ	LABEL: DANGER
58	Not Available	
59	SSJSPAA04/AQQ	SJ COILED STATOR-SINGLE PH.110/60/1 ETL
60	Not Available	
61	Not Available	
62	S000CON14/QQQ	CONNECTION CABLE FOR MICROSWITCH
63	Not Available	
64	M19056	CAPACITOR 30 MF U.L.
65	M50066	CAPACITOR LOCKING CLAMP D.40
66	M30020	CABLE LOCKING HSK-K PG11 BLACK
67	SSJSRET01/QQQ	GFC KIT SUPER JOLLY V HYBRID
68	M28902	GROUND PLATE
69	M30022	ELECTRIC CABLE USA
70	M30021	NUT FOR CABLE LOCKING 3212
71	P000PIA07/QQQ	FOOT DD2515H ZINC-COATED
72	M28904	UNDER TERMINAL BOARD
73	M28903	TERMINAL BLOCKS
74	Not Available	
75	Not Available	
76	S00SCAP01/QQQ	KIT OF CAPS FOR GRINDING ADJUSTMENT DISK
77	M28860	HANG-SUPPORT FOR TAMPING
78	S000PRD02/QCQ	DOUBLE TAMPER D.57,5/53 MM ALUMINIUM
79	Not Available	