

## MODBAR TECHNICAL BULLETIN

### New drain hose for Modbar Steam

Dear Modbar family member,

We are very pleased to introduce a new drain hose for Modbar Steam. This drain hose is already supplied with production modules and is available as spare part. This replaces the yellow armored drain hose – T.3.009.

The new black high-temperature resistant hose attaches directly to the two drain fittings on the module and connects to the Y fitting. As it is difficult to cut on site, the part number is for one ½-meter (20”) length.

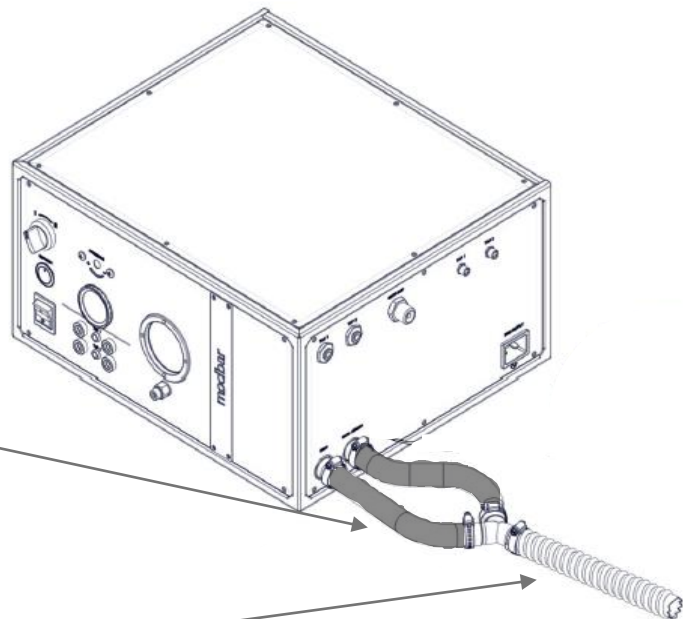
A complete drain assembly consists of the following components:

x2 Modbar Steam Hose: **T.3.010**  
(1/2-meter length)

x5 Hose Clamp: **L312**

x1 Y Fitting: **F.1.121**

x1 Clear Armored Drain Hose: **L309**  
(sold by the foot)



Do not hesitate to contact our solutions team with any questions you may have about this technical bulletin.

[solutions.usa@lamarzocco.com](mailto:solutions.usa@lamarzocco.com)

206.706.9104 x 101