



la marzocco
handmade in florence

la marzocco USA technical bulletin 193

stainless steel solenoid valve on group cap.

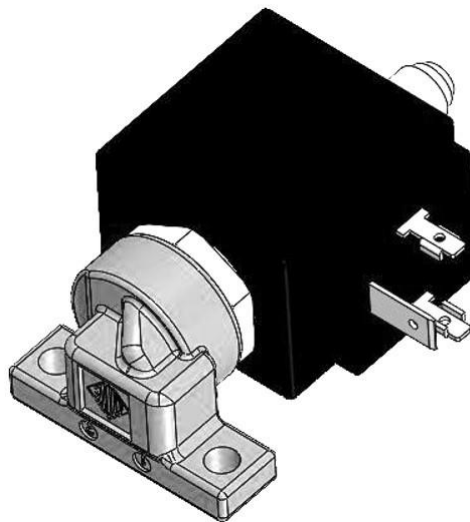
May 17, 2024

Dear Friends,

We are pleased to introduce the new stainless steel 220V 90° solenoid valve now present in production KB90 and Linea PB, from serial numbers:

Linea PB: PB045965

KB90: KB005011



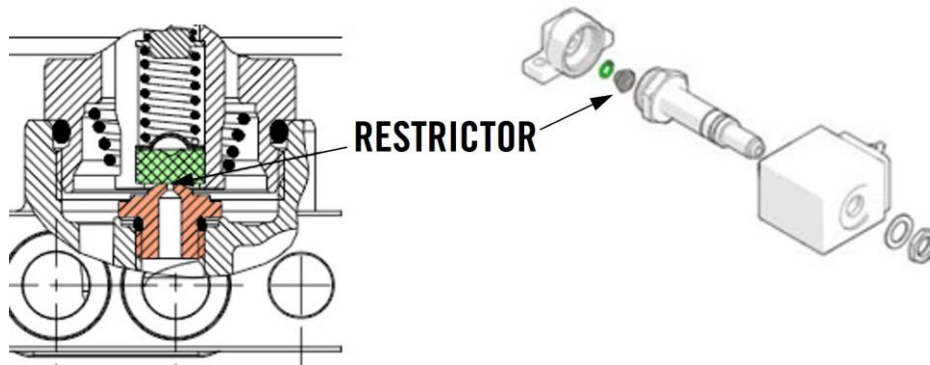
The new valve is made of 316L stainless steel and now has an integrated removable flow restrictor positioned right against the plunger. This valve design, already in use in gb5 S with a 24vdc coil, has demonstrated improved anti-clog capabilities when compared to the previous ruby restrictor located beneath the valve in the group cap.

The original brass valve, B.2.004.02, has been discontinued.



la marzocco

handmade in florence



The new 220V 90° valve is available with the 0.6mm restrictor, standard for production Linea PB and KB90, or with the optional 0.8mm restrictor.

The complete valve, with included restrictor, is available with the following part numbers:

0.6mm (for Linea PB and KB90): **B.3.002.01**

0.8mm (optional): **B.3.004**

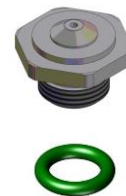
The restrictors w/ O-ring are available individually as part numbers:

0.6mm: **A.5.155**

0.7mm: **A.5.150**

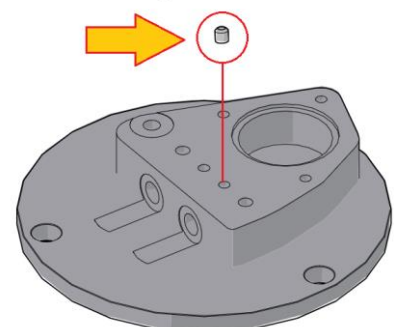
0.8mm: **A.5.151**

O-ring (individually): **H.1.054**



This new valve replaces B.2.004 as spare part for older GB/5, PB, and KB90.

When installing this new valve in a machine with the discontinued B.2.004 valve and ruby restrictor in place, you must remove the original ruby restrictor from the group cap located in the front port beneath the group valve using a high quality 2mm straight-end Allen (hex) wrench.



Do not hesitate to contact our solutions team with any questions you may have about this technical bulletin.

solutions.usa@lamarzocco.com

206.706.9104 x 101