



WALLY TECHNICAL BULLETIN

New solenoid valve

Dear La Marzocco family member,

We are very pleased to introduce two new steam activation solenoid valve assemblies.

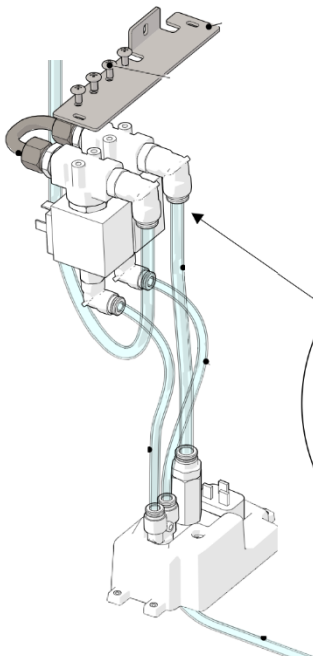


These new valves have been fully re-engineered, presenting multiple improvements, including a full 316L steel body, an upgraded plunger seat, and 4.5mm steam orifice. Overall, the performance and stress resistance have now been significantly enhanced.

These new valves are available as part numbers:

Inlet valve: **B.3.009** – SOLENOID VALVE 3 WAY D 4.5 MM 24VDC 11W

Purge valve: **B.3.010** – SOLENOID VALVE 3 WAY D 4.5 MM 24VDC 13W



With the back cover removed, the inlet valve (11W) is on the right; and the purge valve (13W) is on the left.

The 13W purge valve coil (the black component) is larger than the 11W inlet valve coil.

Do not hesitate to contact our solutions team with any questions you may have about this technical bulletin.
solutions.usa@lamarzocco.com
206.706.9104 x 101