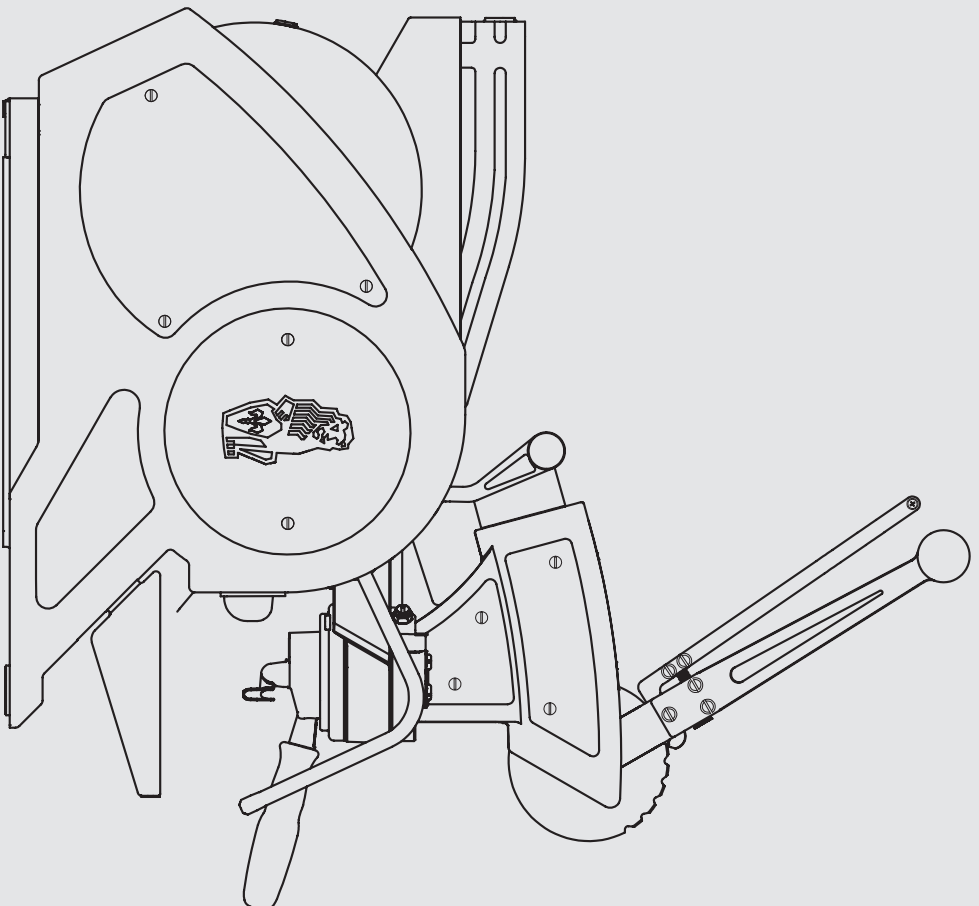


parts catalog levas, X and 90







la marzocco
handmade in florence

INDEX

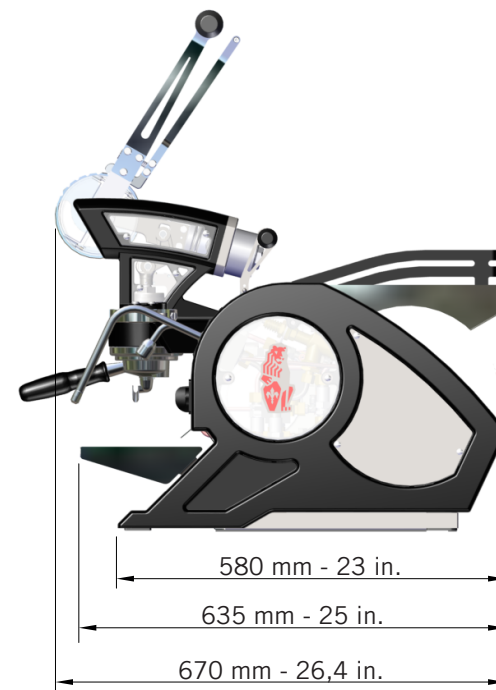
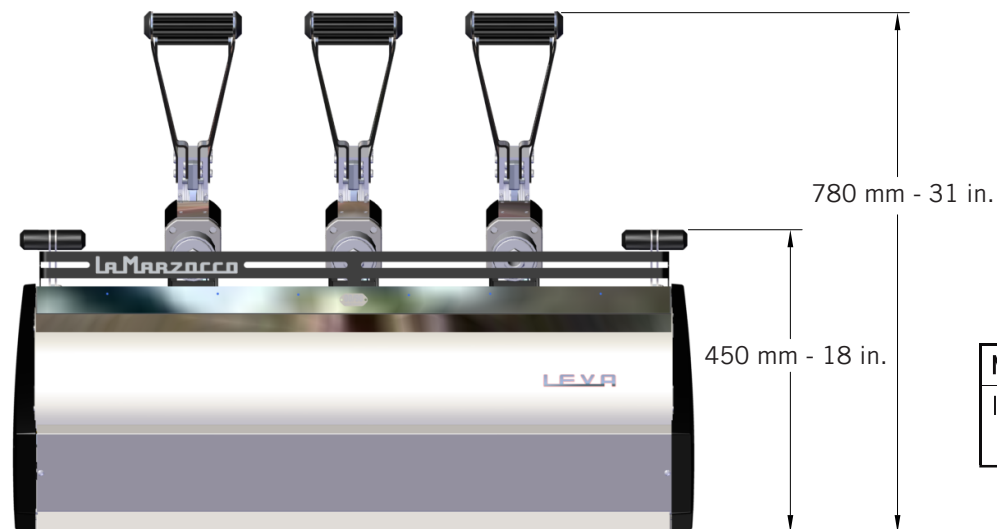
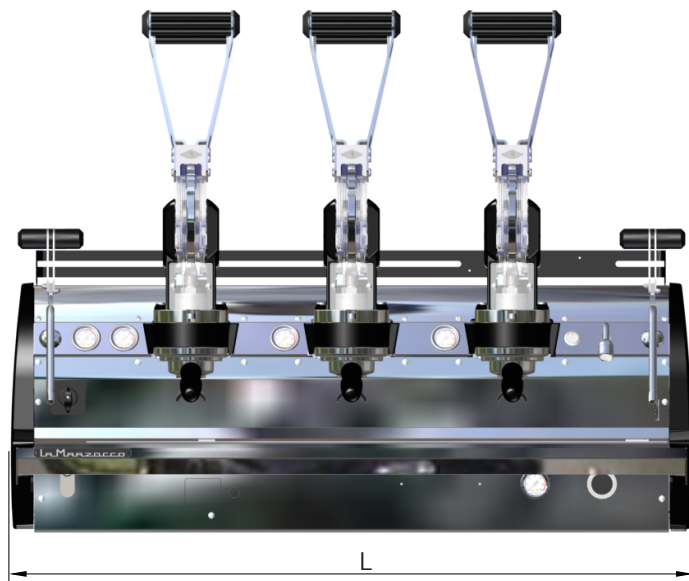
		Pag.	Ver.
Specifications	Caratteristiche Tecniche	4	1.4
Body Panel Assembly	Carrozzeria	6	1.4
Control Panel Assembly	Pannello di Controllo	16	1.4
Steam and Hot Water Wands Assembly	Lancia Vapore e Acqua Calda	20	1.4
Steam Valve Assembly	Rubinetto Vapore	22	1.4
Hydraulic Assembly	Impianto Idraulico	28	1.4
Fittings and Valves	Raccordi e Valvole	40	1.4
Coffee Boiler	Caldaia Caffè	46	1.4
Steam Boiler	Caldaia Vapore	66	1.4
Cupwarmer Heating Elements	Resistenze Scaldatazza	68	1.4
Heating Elements	Resistenze Elettriche	70	1.4
Electrical Box	Scatola Elettronica	72	1.4
Electrical System and Pump	Impianto Elettrico e Pompa	74	1.4
Portafilter Assembly	Portafiltri	76	1.4
Hose and Accessories	Tubi e Accessori	80	1.4



la marzocco

handmade in florence

SPECIFICATIONS



NOTE: the 2GR version is 200mm less in width than the 3GR version	
leva	2gr L=820 mm / 32,3 in.
	3gr L=1020 mm / 40,2 in.



la marzocco

handmade in florence

SPECIFICATIONS

Caratteristiche Tecniche

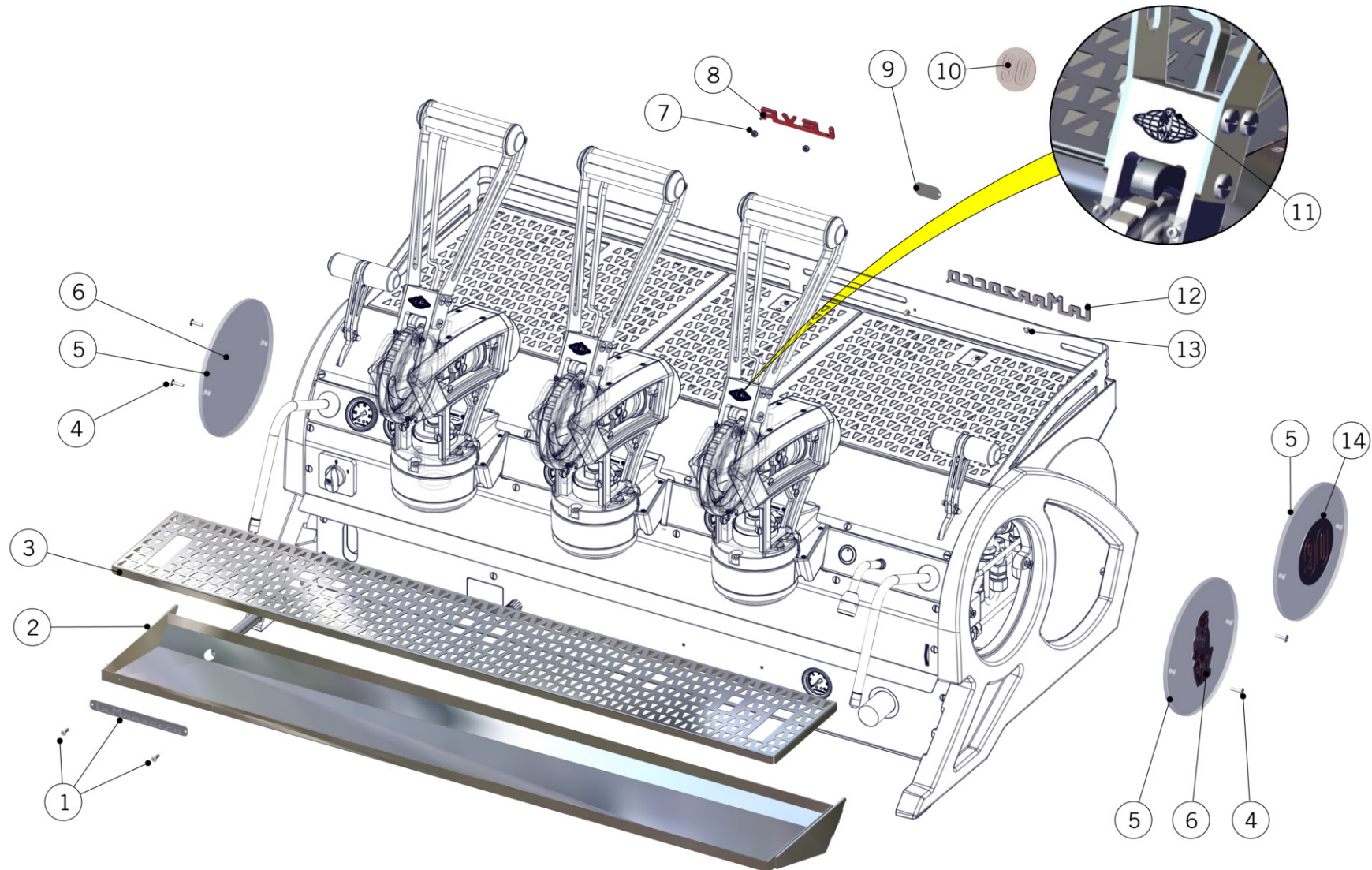
Size	Gr	2GR	3GR	2GR	3GR	2GR	3GR
Electrical Voltage	V	208/220-240 Single Phase		220 Single Phase		380 Three Phase	
Machine weight	kg	99	129	99	129	99	129
	lb	218	284	218	284	218	284
Shipping weight	kg	135	150	135	150	135	150
	lb	297	330	297	330	297	330
Coffee Boiler Wattage	W	2 x 500 (X - 90) 1 x 1400 (S)	3 x 500 (X - 90) 1 x 1900 (S)	2 x 800 (X - 90) 1 x 1400 (S)	3 x 800 (X - 90) 1 x 1900 (S)	2 x 800 (X - 90) 1 x 1400 (S)	3 x 800 (X - 90) 1 x 1900 (S)
Steam Boiler Wattage	W	3000	4000	3000	4000	3000	4000
Total Wattage (without pump, without cupwarmer)	W	5334 (X - 90) 4809 (S)	7454 (X - 90) 6449 (S)	5334 (X - 90) 4809 (S)	7454 (X - 90) 5990 (S)	5327 (X - 90) 4815 (S)	7443 (X - 90) 6456 (S)
Required Available Amperage (without pump, without cupwarmer)	A	23 (X - 90) 21 (S)	32 (X - 90) 28 (S)	23 (X - 90) 21 (S)	32 (X - 90) 28 (S)	9 (X - 90) 12 (S)	13,5 (X - 90) 16 (S)
Total Wattage (with pump, with cupwarmer)	W			6000 (X - 90) 5476 (S)	8274 (X - 90) 7268 (S)	5961 (X - 90) 5449 (S)	8230 (X - 90) 7243 (S)
Required Available Amperage (with pump, with cupwarmer)	A			26 (X - 90) 24 (S)	36 (X - 90) 32 (S)	12 (X - 90) 12 (S)	17 (X - 90) 16 (S)
Coffee Boiler Capacity	liters	2 x 1,3 (X - 90) 1 x 3,4 (S)	3 x 1,3 (X - 90) 1 x 5,0 (S)	2 x 1,3 (X - 90) 1 x 3,4 (S)	3 x 1,3 (X - 90) 1 x 5,0 (S)	2 x 1,3 (X - 90) 1 x 3,4 (S)	3 x 1,3 (X - 90) 1 x 5,0 (S)
Steam Boiler Capacity	liters	8,2	11,8	8,2	11,8	8,2	11,8



la marzocco

handmade in florence

BODY PANEL ASSEMBLY





la marzocco

handmade in florence

BODY PANEL ASSEMBLY

Carrozzeria

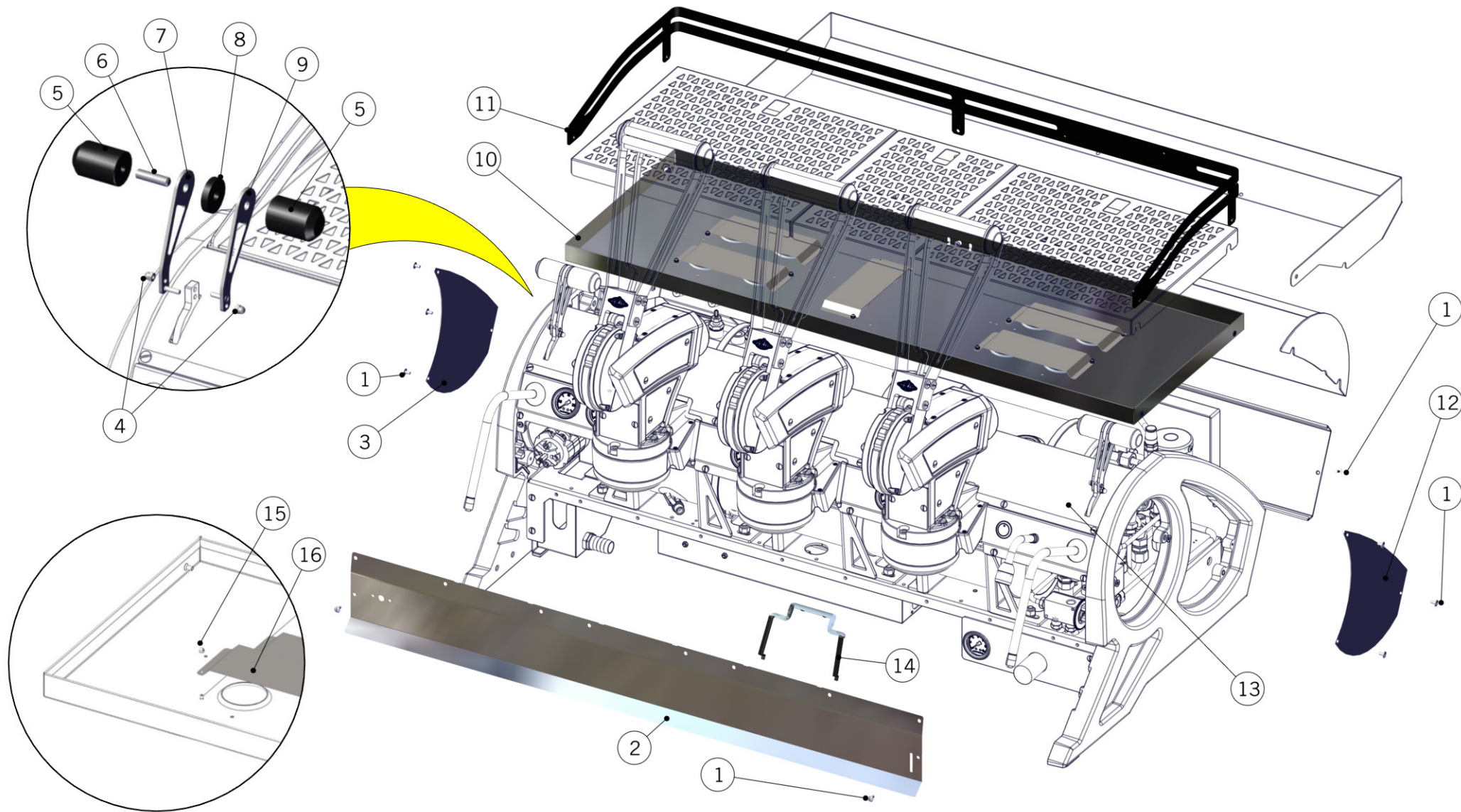
1	D.4.018.R	LABEL FRONT RED WITH RIVET	ETICHETTA FRONTALE ROSSO CON RIVETTI
	D.4.026.R	LABEL FRONT BLACK WITH RIVET	ETICHETTA FRONTALE NERO CON RIVETTI
2	C.1.026.2.01	TRAY DRAIN LEVA 2GR	BACINELLA DI SCARICO LEVA 2GR
	C.1.026.3.01	TRAY DRAIN LEVA 3GR	BACINELLA DI SCARICO LEVA 3GR
3	C.1.347.2.02	GRID DRAIN LEVA 2GR	GRIGLIA SCARICO LEVA 2GR
	C.1.347.3.02	GRID DRAIN LEVA 3GR	GRIGLIA SCARICO LEVA 3GR
4	I.1.099	SCREW M4X10 MUSHROOM SLOTTED HEAD S/S	VITE M4X10 TPB A TAGLIO INOX
5	C.2.047	PANEL UPPER SIDE LEVA	PANNELLO SUPERIORE LATERALE LEVA
6	D.4.024	LABEL SIDE LION BLACK	ETICHETTA LATERALE LEONE NERO
	D.4.025	LABEL SIDE LION RED	ETICHETTA LATERALE LEONE ROSSO
7	I.1.111	NUT M2 H1,6 WR4 S/S	DADO M2 H1,6 CH4 INOX
8	D.4.017	LOGO LEVA RED	LOGO LEVA ROSSO
	D.4.023	LOGO LEVA BLACK	LOGO LEVA NERO
9	D.4.016.90	LABEL LEVA PROGRESSIVE	ETICHETTA LEVA PROGRESSIVA
10	D.4.015.90	LOGO 90 LEVA	LOGO 90 LEVA
11	D.4.020	LABEL LION RED	ETICHETTA LEONE ROSSO
	D.4.021	LABEL LION BLACK	ETICHETTA LEONE NERO
12	D.4.019	LOGO LA MARZOCCO RED	LOGO LA MARZOCCO ROSSO
	D.4.022	LOGO LA MARZOCCO BLACK	LOGO LA MARZOCCO NERO
13	I.1.108	CAP NUT M3 H6,5 CH5,5 S/S	DADO C/CALOTTA M3 H6,5 CH5,5 INOX
14	D.4.014.90	LOGO 90 SIDE	LOGO 90 LATERALE
Item	Part number/Codice	Description	Descrizione



la marzocco

handmade in florence

BODY PANEL ASSEMBLY





la marzocco

handmade in florence

BODY PANEL ASSEMBLY

Carrozzeria

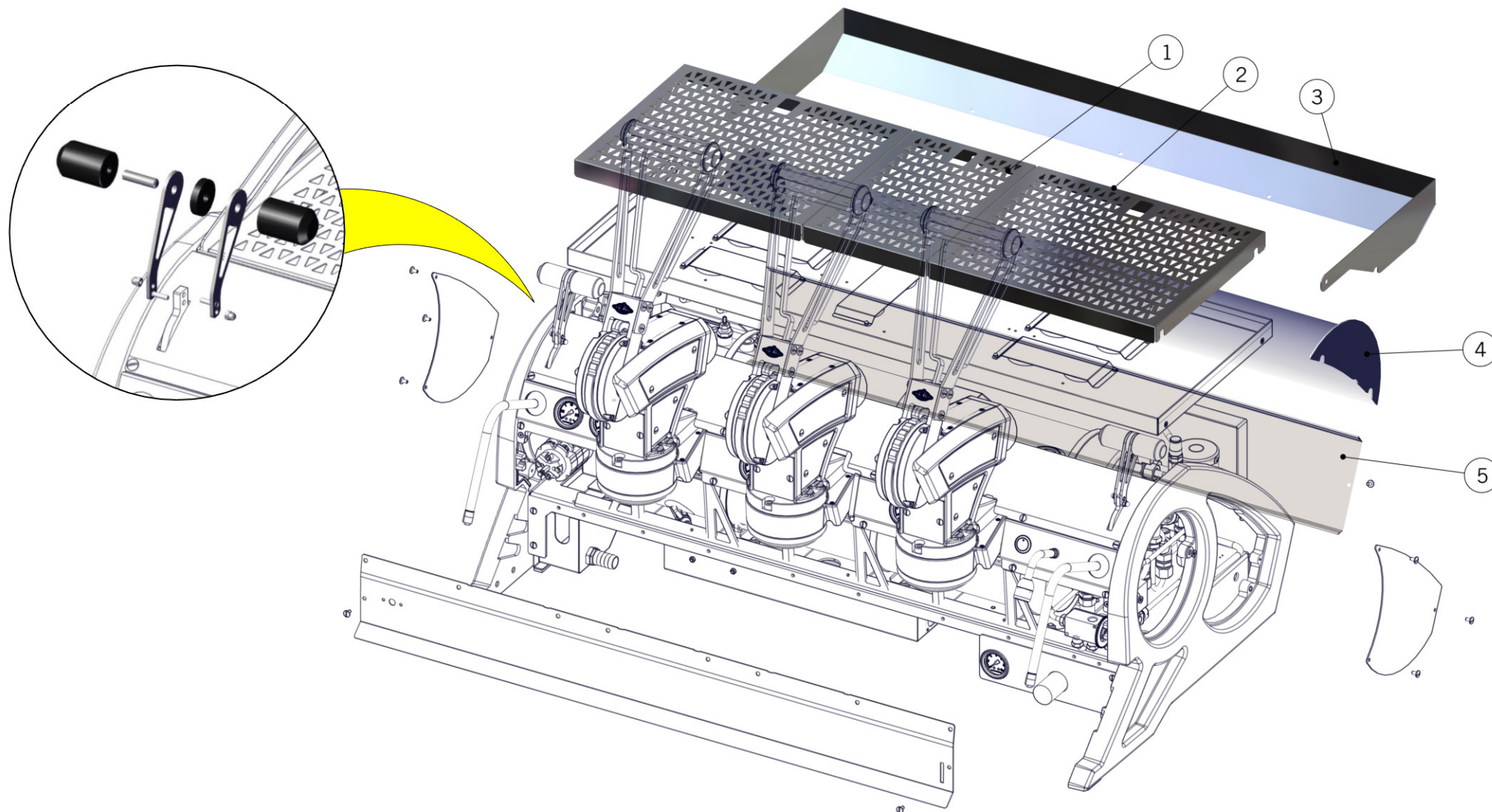
1	I.1.099	SCREW M4X10 MUSHROOM SLOTTED HEAD S/S	VITE M4X10 TPB A TAGLIO INOX
2	C.1.296.2	PANEL MAIN SWITCH LEVA 2GR	PANNELLO INTERR. GENERALE LEVA 2GR
	C.1.296.3	PANEL MAIN SWITCH LEVA 3GR	PANNELLO INTERR. GENERALE LEVA 3GR
3	C.1.177	PANEL SIDE LEVA	PANNELLO LATERALE LEVA
	C.1.177.SX.90	PANEL LEFT SIDE LEVER 90°	PANNELLO LATERALE SX LEVA 90°
4	I.1.109	CAP NUT M4 H8,5 WR7 INOX	DADO C/CALOTTA M4 H8,5 CH7 INOX
5	C.1.354.90	GRIP STEAM LEVA 90° TREATED	IMPUGNATURA VAPORE LEVA 90° TRATT.
	C.2.040	GRIP STEAM LEVA	IMPUGNATURA VAPORE LEVA
6	I.1.032	SOCKET GRUB SCREW M8X30 S/S A2	GRANO M8X30 A BRUGOLA INOX A2
7	C.1.344.SX	EXTENSION STEAM LEFT LEVA	ESTENSIONE VAPORE SINISTRA LEVA
	C.1.344.SX.90	EXTENSION STEAM LEFT LEVA 90°	ESTENSIONE VAPORE SINISTRA LEVA 90°
8	C.1.356.90	SPACER 8X30X6 ACT. STEAM LEVA 90° TR.	DISTANZIALE 8X30X6 AZ. VAP.LEVA 90° TR.
	C.2.041	SPACER 8X30X6 ACTIVATION STEAM LEVA	DISTANZIALE 8X30X6 AZIONAMENTO VAP. LEVA
9	C.1.344.DX	EXTENSION STEAM RIGHT LEVA	ESTENSIONE VAPORE DESTRA LEVA
	C.1.344.DX.90	EXTENSION STEAM RIGHT LEVA 90°	ESTENSIONE VAPORE DESTRA LEVA 90°
10	C.1.348.2	TRAY CUPWARMER LEVA 2GR	VASSOIO SCALDATAZZE LEVA 2GR
	C.1.348.3	TRAY CUPWARMER LEVA 3GR	VASSOIO SCALDATAZZE LEVA 3GR
11	C.1.027.2	RAILING BACK LEVA 2GR	RINGHIERA POSTERIORE LEVA 2GR
	C.1.027.3	RAILING BACK LEVA 3GR	RINGHIERA POSTERIORE LEVA 3GR
	C.1.027.3.90	RAILING BACK LEVA 3GR 90° TREATED	RINGHIERA POSTERIORE LEVA 3GR 90° TRATT.
12	C.1.177	PANEL SIDE LEVA	PANNELLO LATERALE LEVA
	C.1.177.DX.90	PANEL RIGHT SIDE LEVER 90°	PANNELLO LATERALE DX LEVA 90°
13	C.1.284.2	PANEL UPPER FRONT LEVA 2GR	PANNELLO FRONTALE SUPERIORE LEVA 2GR
	C.1.284.3	PANEL UPPER FRONT LEVA 3GR	PANNELLO FRONTALE SUPERIORE LEVA 3GR
14	F.1.099	GASKET NECK LEVER GROUP	GUARNIZIONE COLLO GRUPPO LEVA
15	I.1.108	CAP NUT M3 H6,5 CH5,5 S/S	DADO C/CALOTTA M3 H6,5 CH5,5 INOX
16	C.1.100.01	PROTECTION CUPWARMER HOLE 170 MM	PROTEZIONE FORO SCALDATAZZE 170 MM
Item	Part number/Codice	Description	Descrizione



la marzocco

handmade in florence

BODY PANEL ASSEMBLY





la marzocco

handmade in florence

BODY PANEL ASSEMBLY

Carrozzeria

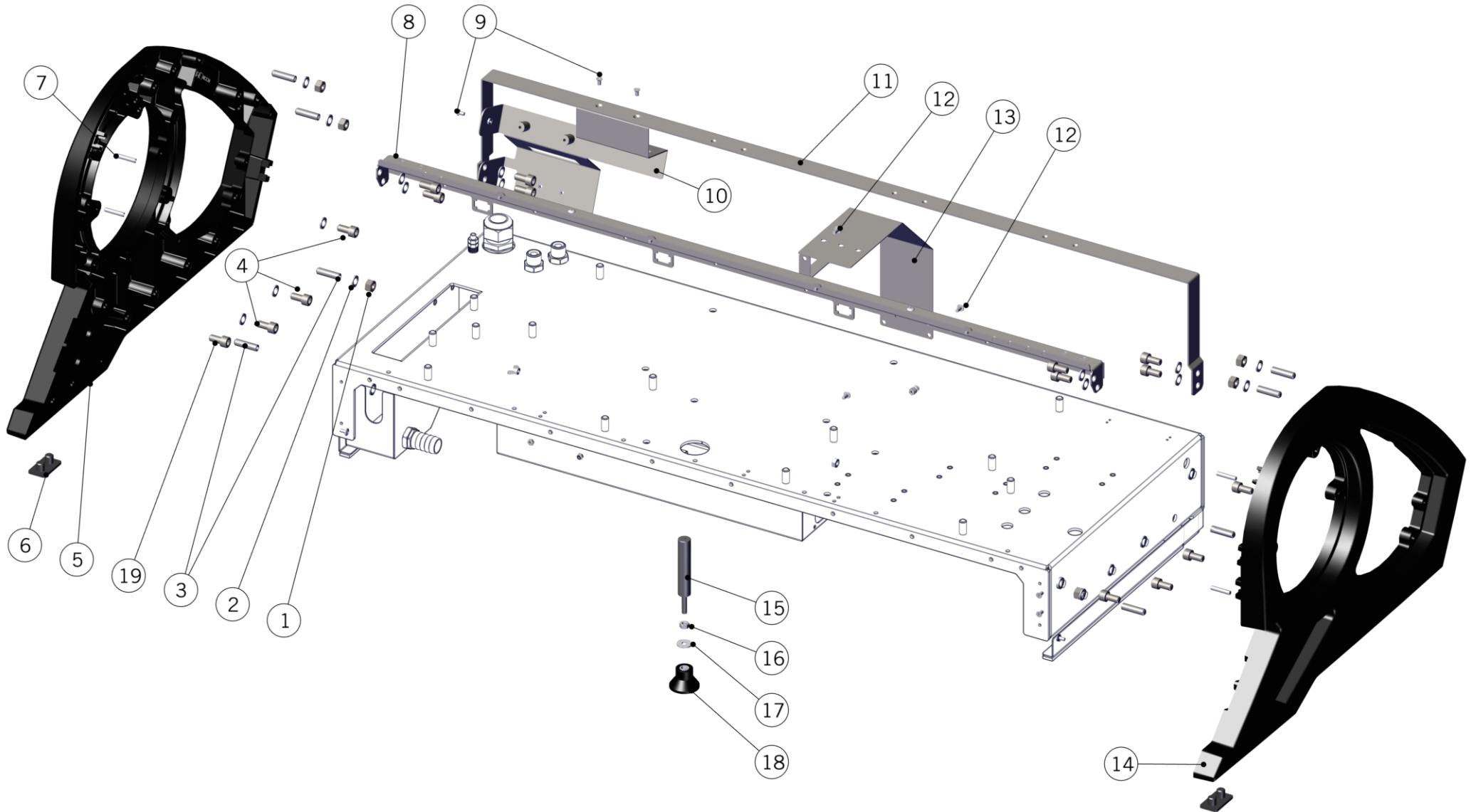
1	C.1.341	GRID CUPWARMER 197MM LEVA	GRIGLIA SCALDATAZZE 197MM LEVA
2	C.1.340	GRID CUPWARMER 365MM LEVA	GRIGLIA SCALDATAZZE 365MM LEVA
3	C.1.338.2	PANEL BACK UPPER LEVA 2GR	PANNELLO POSTERIORE SUP. LEVA 2GR
	C.1.338.3	PANEL BACK UPPER LEVA 3GR	PANNELLO POSTERIORE SUP. LEVA 3GR
	C.1.338.3.90	PANEL BACK UPPER LEVA 3GR 90°	PANNELLO POSTERIORE SUP. LEVA 3GR 90°
4	C.1.337.2	PANEL BACK LEVA 2GR	PANNELLO POSTERIORE LEVA 2GR
	C.1.337.3	PANEL BACK LEVA 3GR	PANNELLO POSTERIORE LEVA 3GR
	C.1.337.3.90	PANEL BACK LEVA 3GR 90°	PANNELLO POSTERIORE LEVA 3GR 90°
5	C.1.298.2	PANEL BACK LOWER LEVA 2GR	PANNELLO POSTERIORE INF. LEVA 2GR
	C.1.298.3	PANEL BACK LOWER LEVA 3GR	PANNELLO POSTERIORE INF. LEVA 3GR
	C.1.298.3.90	PANEL BACK LOWER LEVA 3GR 90°	PANNELLO POSTERIORE INF. LEVA 3GR 90°
Item	Part number/Codice	Description	Descrizione



la marzocco

handmade in florence

BODY PANEL ASSEMBLY





la marzocco

handmade in florence

BODY PANEL ASSEMBLY

Carrozzeria

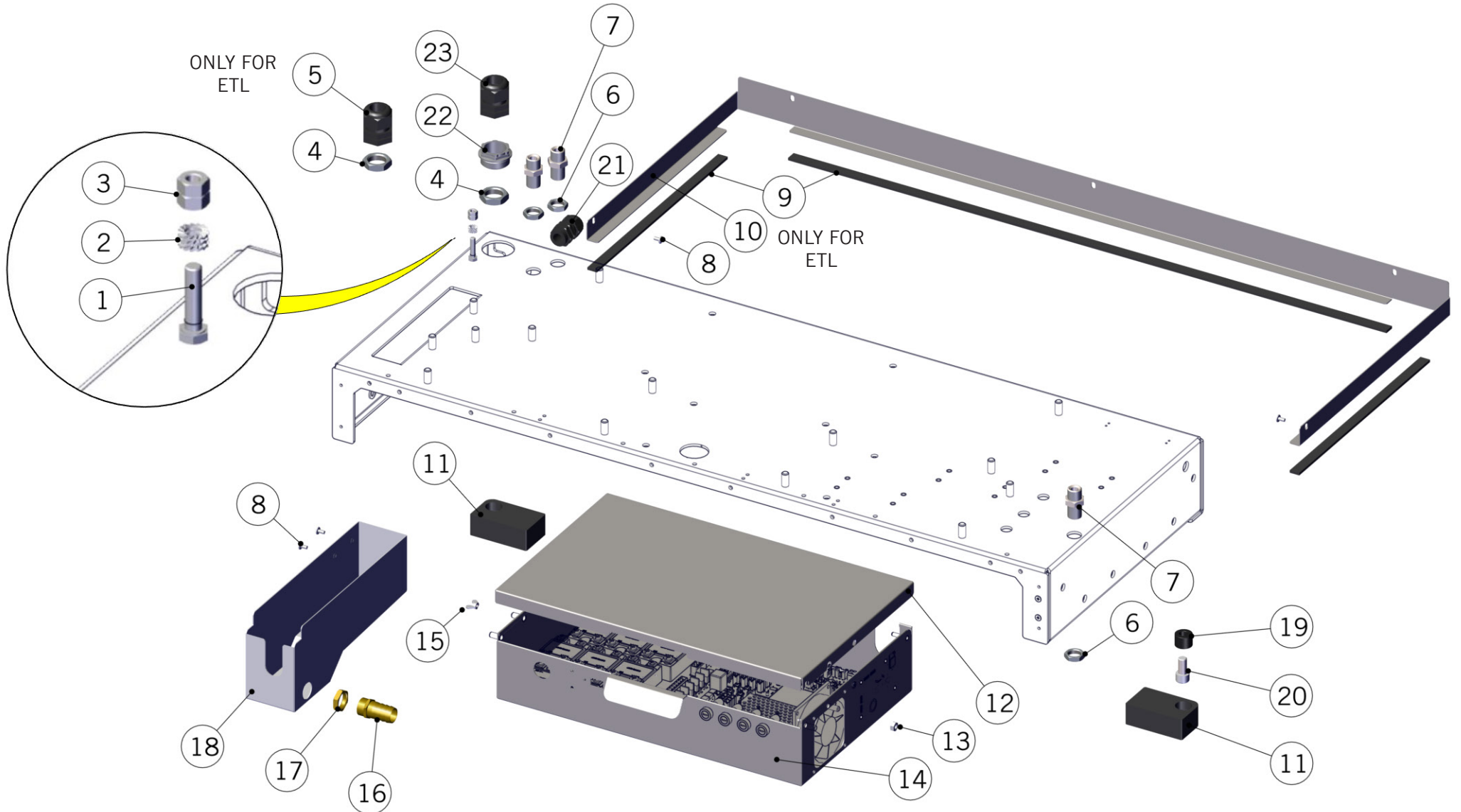
1	L1002	NUT M8 H8 WR13 S/S A2	DADO M8 H8 CH13 INOX A2
2	L1003	WASHER 8,5X14X1,5 S/S A2	RONDELLA 8,5X14X1,5 INOX A2
3	I.1.032	SOCKET GRUB SCREW M8X30 S/S A2	GRANO M8X30 A BRUGOLA INOX A2
4	VITE8X16INOX	SCREW M8X16 SOCKET CAP S/S A2	VITE M8X16 TC A BRUGOLA INOX A2
5	C.3.022.SX	PANEL LEFT SIDE LEVA	FIANCATA SINISTRA LEVA
	C.3.022.SX.90	PANEL LEFT SIDE LEVA 90°	FIANCATA SINISTRA LEVA 90°
6	F.2.026	RUBBER FOOT	PIEDINO UNIVERSALE
7	I.1.052	SOCKET GRUB SCREW M5X25 S/S A2	GRANO M5X25 A BRUGOLA INOX A2
8	C.1.077.01	TIE ROD FRONT 3GR	TIRANTE ANTERIORE 3GR
	C.1.106.01	TIE ROD FRONT 2GR	TIRANTE ANTERIORE 2GR
9	I.1.057	SCREW M4X8 PHILLIPS COUNTERSUNK S/S A2	VITE M4X8 TS A CROCE INOX A2
10	C.1.074	BRACKET TEMINAL BLOCK LEVA	STAFFA MORSETTIERA LEVA
11	C.1.037.2	TIE ROD BACK LEVA 2GR	TIRANTE POSTERIORE LEVA 2GR
	C.1.037.3	TIE ROD BACK LEVA 3GR	TIRANTE POSTERIORE LEVA 3GR
12	I.1.006	SCREW M4X8 PHILLIPS BUTTON HEAD S/S A2	VITE M4X8 TPB A CROCE INOX A2
13	C.1.099	BRACKET BACK GROMMETS LEVA	STAFFA POSTERIORE PASSACAVI LEVA
14	C.3.022.DX	FIANCATA DESTRA LEVA	FIANCATA DESTRA LEVA
	C.3.022.DX.90	FIANCATA DESTRA LEVA 90°	FIANCATA DESTRA LEVA 90°
15	F.6.012	BEAM MIDDLE FOOT LEVA	ASTA PIEDE CENTRALE LEVA
16	I.1.049	NUT M6 H5 WR10 S/S A2	DADO M6 H5 CH10 INOX A2
17	L165/9	WASHER 6,5X18X1,5 GALVANIZED	RONDELLA 6,5X18X1,5 ZINCATA
18	CL41.R	KIT 4 FOOT D35X25 M6 ANTI-STAIN RUBBER	KIT 4 PIEDINI D35X25 M6 ANTIMACCHIA
19	I.1.019.01	SCREW M8X8 SOCKET CAP S/S A2	VITE M8X8 TC A BRUGOLA INOX A2
Item	Part number/Codice	Description	Descrizione



la marzocco

handmade in florence

BODY PANEL ASSEMBLY





la marzocco

handmade in florence

BODY PANEL ASSEMBLY

Carrozzeria

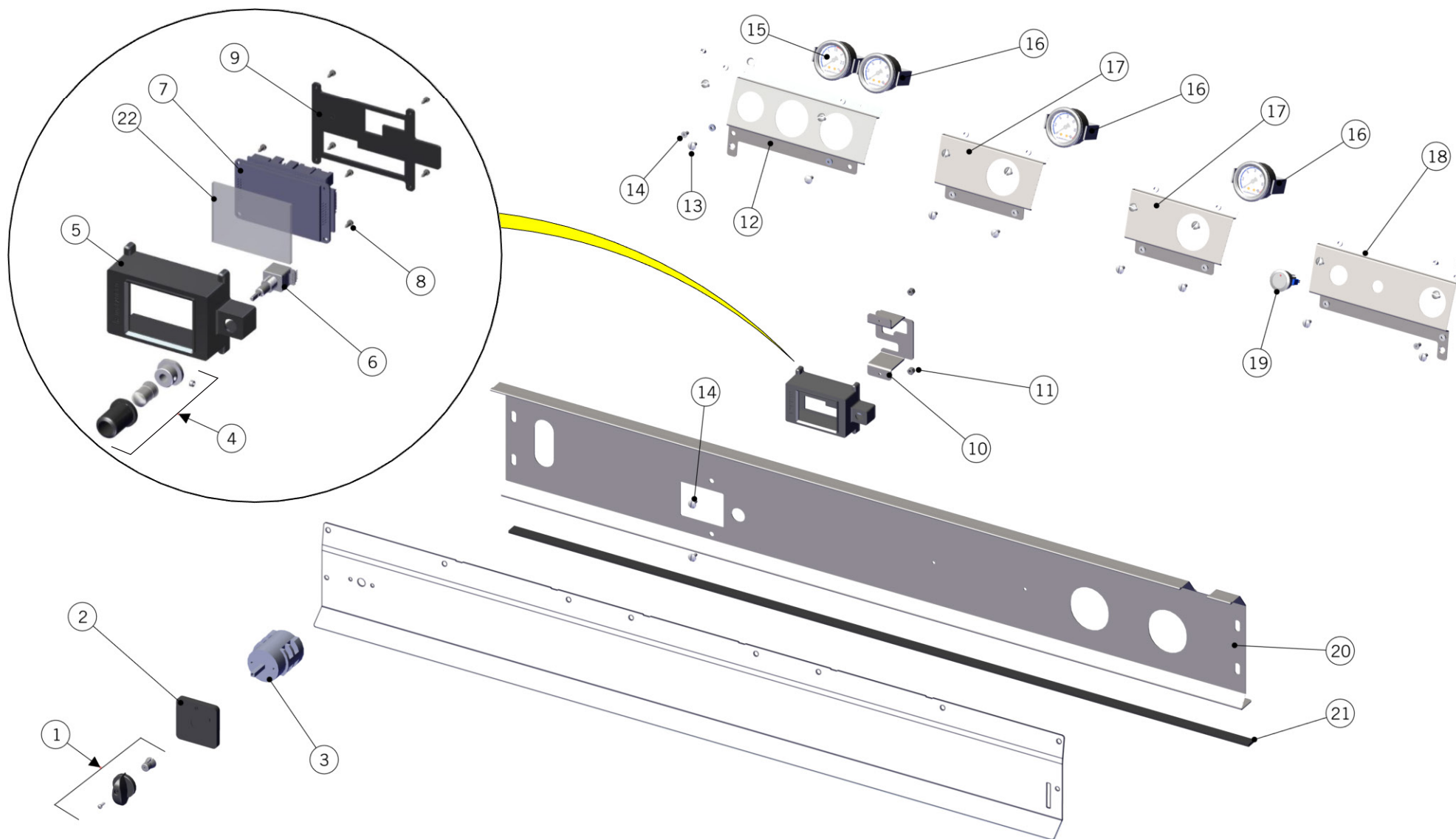
1	I.1.067	SCREW M6X25 HEX HEAD S/S A2	VITE M6X25 TE INOX A2
2	ROND_DENT_6	TOOTH LOCK WASHER 6X10,5X1,5 GALVANIZED	ROND.DENTATA 6X10,5X1,5 ZINCATA
3	I.1.049	NUT M6 H5 WR10 S/S A2	DADO M6 H5 CH10 INOX A2
4	I.6.008	NUT CORD GRIPS PG29	DADO PRESSACAVO PG29
5	E.4.130	CORD GRIPS PG29 W/NUT	PRESSACAVO PG29 C/GHIERA
6	L183/1.01	NUT G3/8 H6 CH21 BRASS TREATED	DADO G3/8 H6 CH21 OTTONE TRATTATO
7	A.5.020	NIPPLE G3/8M-G3/8M WR21 H38 BRASS TR.	NIPPLO G3/8M-G3/8M CH21 H38 OTT. TR.
8	I.1.006	SCREW M4X8 PHILLIPS BUTTON HEAD S/S A2	VITE M4X8 TPB A CROCE INOX A2
9	H.3.009	GASKET TAPE 3,2X12,7 BLACK NEOPRENE NSF	GUARN. A NASTRO 3,2X12,7 NEOPRENE NSF
10	C.1.343.2	CLOSURE LOWER LEVA 2GR	CHIUSURA INFERIORE LEVA 2GR
	C.1.343.3	CLOSURE LOWER LEVA 3GR	CHIUSURA INFERIORE LEVA 3GR
11	CL001.01	RUBBER FOOT LEFT/RIGHT	ZOCCOLINO IN GOMMA DX/SX
12	C.1.339	COVER ELECTRONIC BOX 3GR	COPERCHIO SCATOLA ELETTRONICA 3GR
	C.1.359	COVER ELECTRONIC BOX 2GR	COPERCHIO SCATOLA ELETTRONICA 2GR
13	I.1.049	NUT M6 H5 WR10 S/S A2	DADO M6 H5 CH10 INOX A2
14	C.1.357	CLOSURE LOWER LEVA 2GR	SCATOLA ELETTRONICA 2GR
	C.1.358	CLOSURE LOWER LEVA 3GR	SCATOLA ELETTRONICA 3GR
15	I.1.003	WING NUT M6 H5 S/S A2	GALLETTO M6 H5 INOX A2
16	L037/2PGR	HOSE HOLDER WITH 20 MM. HOLE	PORTAGOMMA DM.MM 20 ES.22
17	L037/D	NUT G1/2 H6 WR24 BRASS	DADO G1/2 H6 CH24 OTTONE
18	C.1.299	DRAIN BOX LEVA	POZZETTO SCARICO LEVA
19	F.1.005	PVC FOOT SUPPORTS DM.21 GB5	SUPPORTI PIEDINI PVC DM.21 GB5
20	I.1.090	SCREW M10X20 SOCKET CAP S/S A2	VITE M10X20 TC A BRUGOLA INOX
21	L322/P	CORD GRIPS PG13,5	PRESSACAVO PG13,5
22	F.1.097	REDUCER CORD GRIPS PG29	RIDUTTORE PRESSACAVO PG29
23	L322/G	CORD GRIPS PG21	PRESSACAVO PG21
Item	Part number/Codice	Description	Descrizione



la marzocco

handmade in florence

CONTROL PANEL ASSEMBLY - S VERSION





la marzocco

handmade in florence

CONTROL PANEL ASSEMBLY - S VERSION

Pannello di Controllo

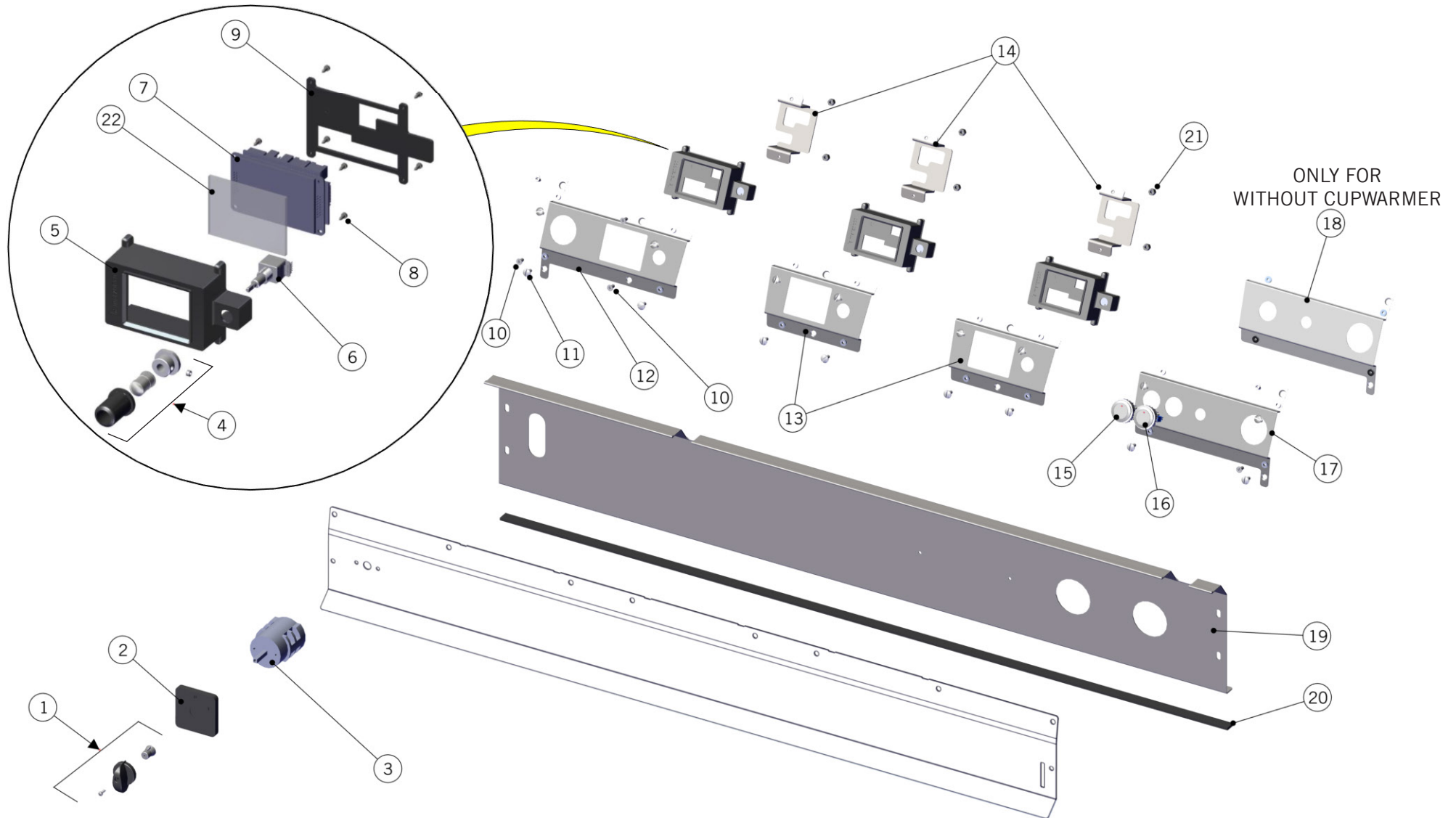
1	L400/K	MAIN POWER SWITCH KNOB	MANOPOLA PER COMMUTATORE
2	D.2.009	0-1 SWITCH LABEL	TARGHETTA 0-1
3	E.2.001.03	SWITCH DOUBLE-POLE 40A W/WIRES	INTERRUTTORE BIPOLARE 40A C/CAVI
	E.2.002.03	SWITCH TRIPLE-POLE 20A W/WIRES	INTERRUTTORE TRIPOLARE 20A C/CAVI
	E.2.069	SWITCH TRIPLE-POLE 32A W/WIRES	INTERRUTTORE TRIPOLARE 32A C/CAVI
4	1011	KIT BUTTON ENCODER	KIT PULSANTE ENCODER
5	F.1.092	BOX DISPLAY LEVA	SCATOLA DISPLAY LEVA
6	E.2.062	ENCODER LEVA	ENCODER LEVA
7	E.1.042	DISPLAY GRAPHIC W/ 2 BOARDS	DISPLAY GRAFICO C/ 2 SCHEDE
8	I.1.086	SELFTAP.SCREW 2,2X6,5 PHIL.ROUND-PAN S/S	VITEAUT. 2,2X6,5 TCB A CROCE INOX A2
9	F.1.093	COVER BOX DISPLAY LEVA	COPERCHIO SCATOLA DISPLAY LEVA
10	C.1.262.01	BRACKET FIXING DISPLAY LEVA S	STAFFA FISSAGGIO DISPLAY LEVA S
11	DADOINOXM4	NUT M4 H3 WR7 S/S A2	DADO M4 H3 CH7 INOX A2
12	C.1.345.2.SX	PANEL LEFT CONTROL LEVA 2GR W/PRES.GAUGE	PANN. DI COMANDO SX LEVA 2GR C/MANOMETRO
	C.1.345.3.SX	PANEL LEFT CONTROL LEVA 3GR W/PRES.GAUGE	PANN. DI COMANDO SX LEVA 3GR C/MANOMETRO
13	I.1.099	SCREW M4X10 MUSHROOM SLOTTED HEAD S/S	VITE M4X10 TPB A TAGLIO INOX
14	I.1.057	SCREW M4X8 PHILLIPS COUNTERSUNK S/S A2	VITE M4X8 TS A CROCE INOX A2
15	E.3.019	PRESS.GAUGE 0-3 WHITE W/CAPILLARY LEVA	MANOMETRO 0-3 BIANCO C/CAPILLARE LEVA
16	E.3.017	PRESS.GAUGE 0-24 WHITE W/CAPILLARY LEVA	MANOMETRO 0-24 BIANCO C/CAPILLARE LEVA
17	C.1.346	PANEL MID CONTROL LEVA W/PRESS.GAUGE	PANN. DI COMANDO INT. LEVA C/MANOMETRO
18	C.1.345.2.DX	PANEL RIGHT CONTROL LEVA 2GR	PANNELLO DI COMANDO DX LEVA 2GR
	C.1.345.3.DX	PANEL RIGHT CONTROL LEVA 3GR	PANNELLO DI COMANDO DX LEVA 3GR
19	E.2.051	S/S TEA SWITCH W/WHITE LED	TASTO TE LASERATO LED BIANCHI
20	C.1.342.2	PANNELLO FRONT. INF. LEVA 2GR C/DISPLAY	PANNELLO FRONT. INF. LEVA 2GR C/DISPLAY
	C.1.342.3	PANNELLO FRONT. INF. LEVA 3GR C/DISPLAY	PANNELLO FRONT. INF. LEVA 3GR C/DISPLAY
21	H.3.009	GASKET TAPE 3,2X12,7 BLACK NEOPRENE NSF	GUARN. A NASTRO 3,2X12,7 NEOPRENE NSF
22	F.1.098	GLASS DISPLAY	VETRINO DISPLAY
Item	Part number/Codice	Description	Descrizione



la marzocco

handmade in florence

CONTROL PANEL ASSEMBLY - X and 90 VERSION





la marzocco

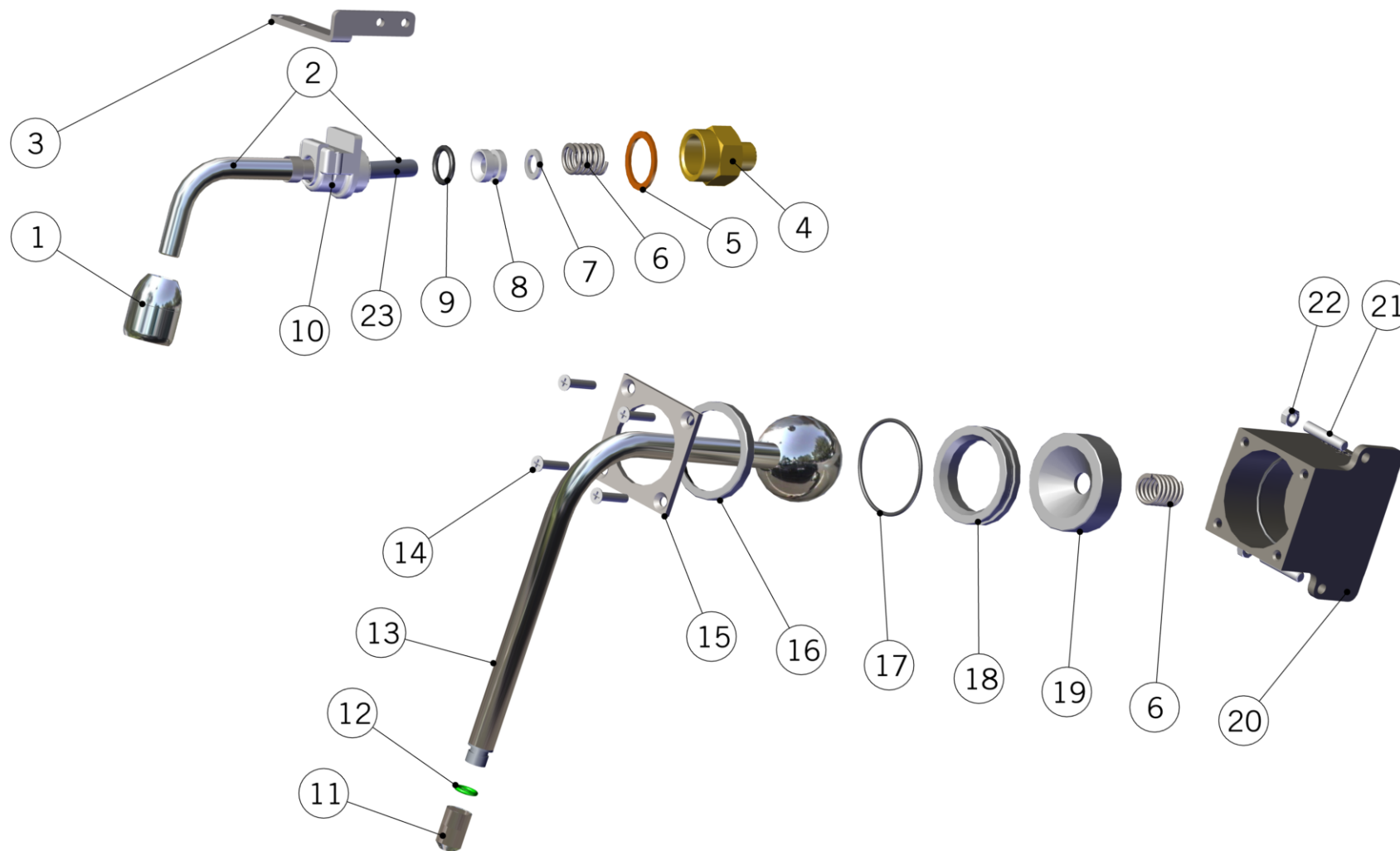
handmade in florence

CONTROL PANEL ASSEMBLY - X and 90 VERSION

Pannello di Controllo

1	L400/K	MAIN POWER SWITCH KNOB	MANOPOLA PER COMMUTATORE
2	D.2.009	0-1 SWITCH LABEL	TARGHETTA 0-1
3	E.2.001.03	SWITCH DOUBLE-POLE 40A W/WIRES	INTERRUTTORE BIPOLARE 40A C/CAVI
	E.2.002.03	SWITCH TRIPLE-POLE 20A W/WIRES	INTERRUTTORE TRIPOLARE 20A C/CAVI
	E.2.069	SWITCH TRIPLE-POLE 32A W/WIRES	INTERRUTTORE TRIPOLARE 32A C/CAVI
4	1011	KIT BUTTON ENCODER	KIT PULSANTE ENCODER
5	F.1.092	BOX DISPLAY LEVA	SCATOLA DISPLAY LEVA
6	E.2.062	ENCODER LEVA	ENCODER LEVA
7	E.1.042	DISPLAY GRAPHIC W/ 2 BOARDS	DISPLAY GRAFICO C/ 2 SCHEDE
8	I.1.086	SELFTAP.SCREW 2,2X6,5 PHIL.ROUND-PAN S/S	VITEAUT. 2,2X6,5 TCB A CROCE INOX A2
9	F.1.093	COVER BOX DISPLAY LEVA	COPERCHIO SCATOLA DISPLAY LEVA
10	I.1.057	SCREW M4X8 PHILLIPS COUNTERSUNK S/S A2	VITE M4X8 TS A CROCE INOX A2
11	I.1.099	SCREW M4X10 MUSHROOM SLOTTED HEAD S/S	VITE M4X10 TPB A TAGLIO INOX
12	C.1.351.2.SX	PANEL LEFT CONTROL LEVA 2GR W/DISPLAY	PANN. DI COMANDO SX LEVA 2GR C/DISPLAY
	C.1.351.3.SX	PANEL LEFT CONTROL LEVA 3GR W/DISPLAY	PANN. DI COMANDO SX LEVA 3GR C/DISPLAY
	C.1.351.3.SX.90	PANEL LEFT CONT. LEVA 3GR W/DISPLAY 90°	PANN. COMANDO SX LEVA 3GR C/DISPLAY 90°
13	C.1.352	PANEL MIDDLE CONTROL LEVA W/DISPLAY	PANN. DI COMANDO INT. LEVA C/DISPLAY
	C.1.352.90	PANEL MIDDLE CONTROL LEVA W/DISPLAY 90°	PANN. DI COMANDO INT. LEVA C/DISPLAY 90°
14	C.1.075.01	BRACKET FIXING DISPLAY LEVA	STAFFA FISSAGGIO DISPLAY LEVA
15	E.2.052	S/S CUPWARMER SWITCH W/WHITE LED	TASTO SCALDATAZZE LASERATO LED BIANCO
16	E.2.051	S/S TEA SWITCH W/WHITE LED	TASTO TE LASERATO LED BIANCHI
17	C.1.351.2.DX	PANEL RIGHT CONTROL LEVA 2GR W/CUPWARMER	PANN. DI COMANDO DX LEVA 2GR C/SCALD
	C.1.351.3.DX	PANEL RIGHT CONTROL LEVA 3GR W/CUPWARMER	PANNELLO DI COMANDO DX LEVA 3GR C/SCALD.
	C.1.351.3.DX.90	PANEL RIGHT CONTROL 3GR W/CUPWARMER 90°	PANN. COMANDO DX LEVA 3GR C/SCALD. 90°
18	C.1.345.2.DX	PANEL RIGHT CONTROL LEVA 2GR	PANNELLO DI COMANDO DX LEVA 2GR
	C.1.345.3.DX	PANEL RIGHT CONTROL LEVA 3GR	PANNELLO DI COMANDO DX LEVA 3GR
19	C.1.360.2	PANEL LOWER FRONT LEVA 2GR	PANNELLO FRONT. INFERIORE LEVA 2GR
	C.1.360.3	PANEL LOWER FRONT LEVA 3GR	PANNELLO FRONT. INFERIORE LEVA 3GR
20	H.3.009	GASKET TAPE 3,2X12,7 BLACK NEOPRENE NSF	GUARN. A NASTRO 3,2X12,7 NEOPRENE NSF
21	DADOINOXM4	NUT M4 H3 WR7 S/S A2	DADO M4 H3 CH7 INOX A2
22	F.1.098	GLASS DISPLAY	VETRINO DISPLAY
Item	Part number/Codice	Description	Descrizione

STEAM AND HOT WATER ASSEMBLY





la marzocco

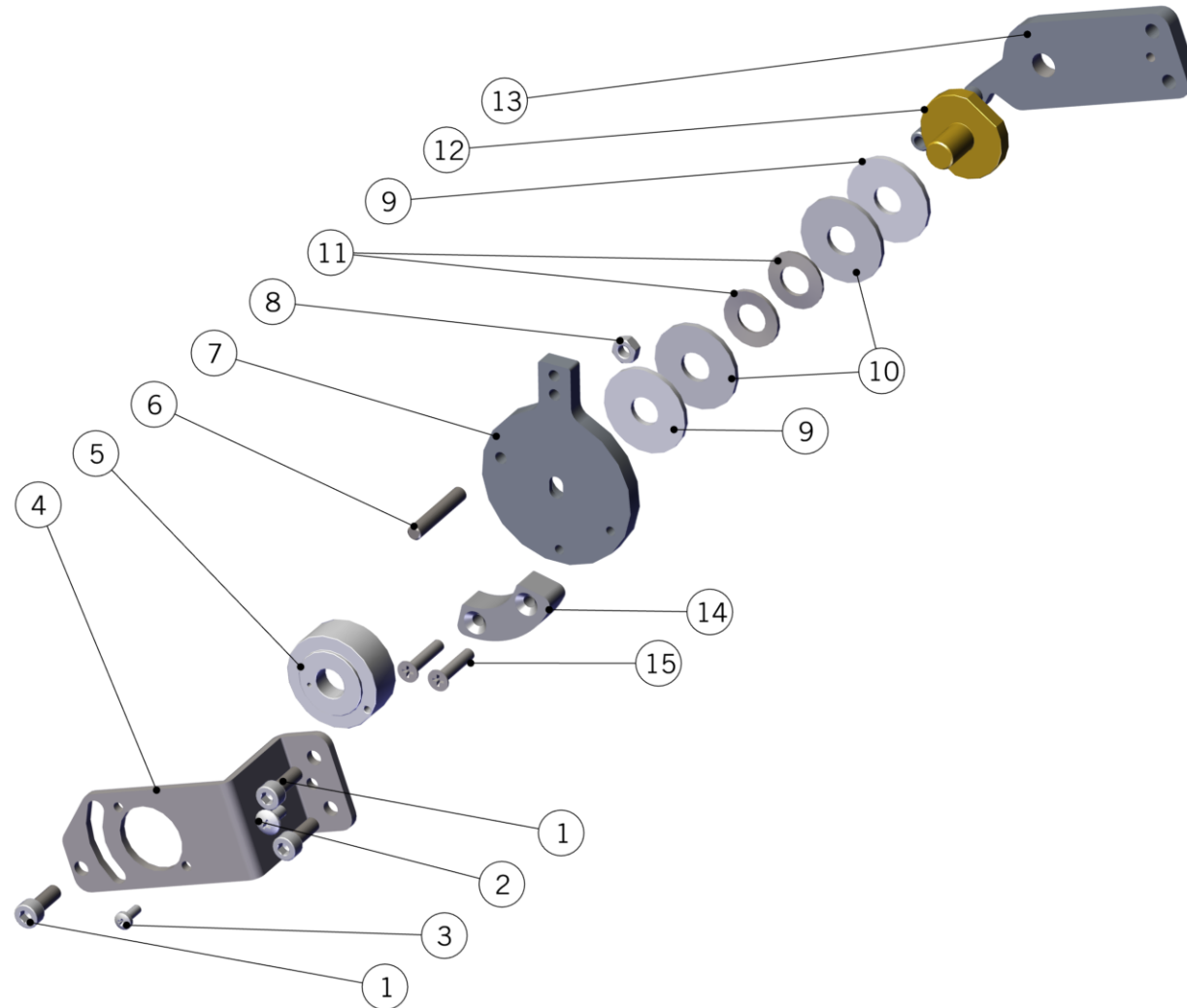
handmade in florence

STEAM AND HOT WATER ASSEMBLY

Lance

1	L160/3.02	HOT WATER SPOUT G1/8 TREATED	DIFFUSORE ACQUA CALDA G1/8 TRATT. ALIM.
2	T.2.130.R	WAND HOT WATER S/S LEVA W/PTFE	WAND HOT WATER S/S LEVA W/PTFE
3	C.1.297	BRACKET SUPPORT TEA WAND LEVA	STAFFA SUPPORTO LANCIA TE' LEVA
4	F.4.007	FITTING G1/4M - M20F H31	RACCORDO G1/4M - M20F H31
5	L260/1A	WASHER 21X27X1,5 COPPER	RONDELLA 21X27X1,5 RAME
6	F.3.004	SPRING COMPRESSION 2X14,6X26,5 S/S	MOLLA A COMPRESSIONE 2X14,6X25 INOX
7	L1003	WASHER 8,5X14X1,5 S/S A2	RONDELLA 8,5X14X1,5 INOX A2
8	H.2.003	PTFE STEAM WAND SEAL	GUARN. PTFE PER SNODO TUBO VAP
9	H.1.003	O-RING 2,62X13,11 FKM 70 SH	O-RING 2,62X13,11 FKM 70 SH
10	A.5.006	GS3 STEAM WAND HOLDER, S/S	SUPPORTO INOX LANCIA VAPORE GS3
11	A.5.050	STEAM TIP PRO TOUCH D1,5	SPRUZZATORE VAP. PRO TOUCH D1,5
12	H.1.027	O-RING 1,78X7,65 VITON 70 SH	O-RING 1,78X7,65 VITON 70 SH
13	T.2.011	STEAM WAND PRO TOUCH LEVA	LANCIA VAPORE PRO TOUCH LEVA TRATT.
14	I.1.076	SCREW M4X20 PHILLIPS COUNTERSUNK S/S A2	VITE M4X20 TS A CROCE INOX A2
15	F.3.064	COVER SLOT STEAM WAND LEVA	COPERCHIO SEDE LANCIA VAPORE LEVA
16	F.1.090	BUSHING STEAM WAND 37X45X5	BOCCOLA LANCIA VAPORE 37X45X5
17	H.1.029	O-RING 1,78x41 EPDM 70 SH	O-RING 1,78x41 EPDM 70 SH
18	H.2.009	GASKET D43 H10 JUNCTION STEAM WAND LEVA	GUARNIZ. D43 H10 SNODO LANCIA VAP. LEVA
19	I.1.010	SPACER SPECIAL 33X45X14 S/S	DISTANZIALE SPECIALE 33X45X14 INOX
20	A.2.107	HOUSING STEAM WAND LEVA	SEDE LANCIA VAPORE LEVA
21	I.1.052	SOCKET GRUB SCREW M5X25 S/S A2	GRANO M5X25 A BRUGOLA INOX A2
22	DADO5M_INOX	NUT M5 H4 WR8 S/S A2	DADO M5 H4 CH8 INOX A2
23	T.3.001	PTFE TUBE 1/8-1/4	TUBETTO PTFE 1/8-1/4
Item	Part number/Codice	Description	Descrizione

STEAM VALVE ASSEMBLY - S VERSION





la marzocco

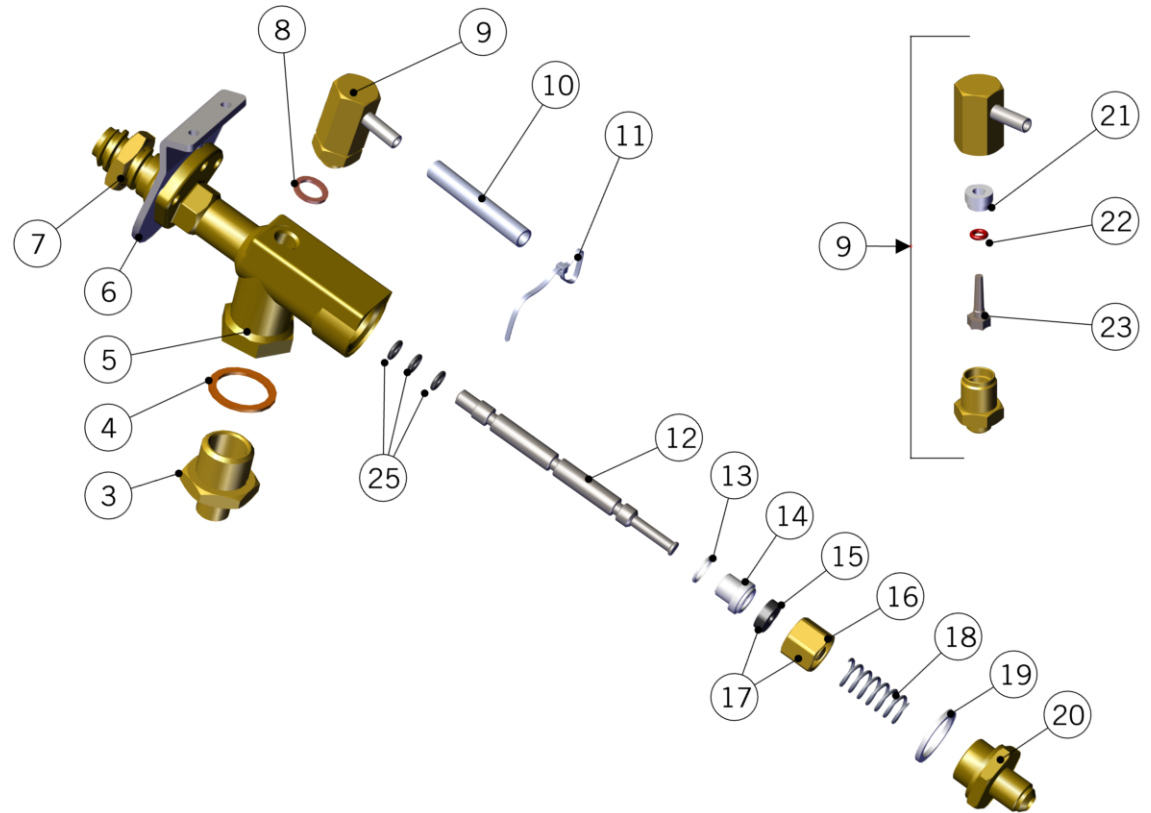
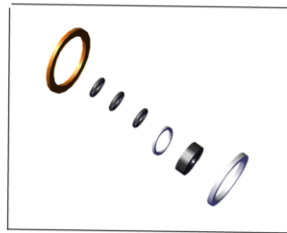
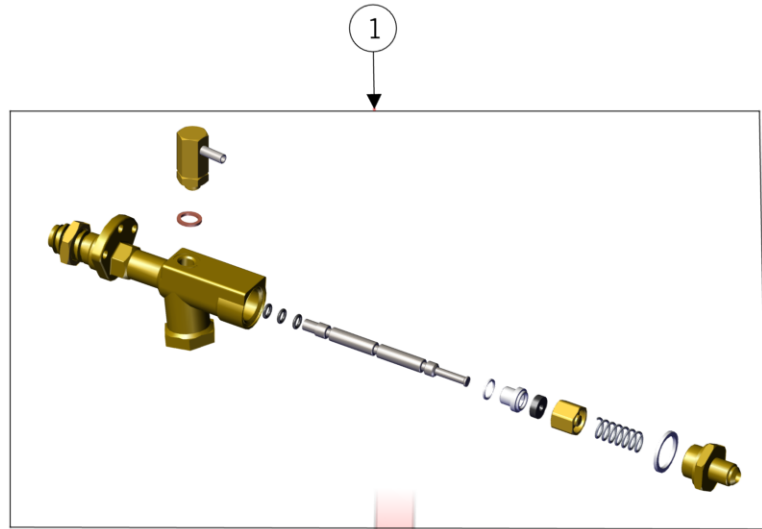
handmade in florence

STEAM VALVE ASSEMBLY - S VERSION

Rubinetto Vapore

1	I.1.011	SCREW M5X14 SOCKET CAP S/S A2	VITE M5X14 TC A BRUGOLA INOX A2
2	I.1.006	SCREW M4X8 PHILLIPS BUTTON HEAD S/S A2	VITE M4X8 TPB A CROCE INOX A2
3	VITE3X8	SCREW M3X8 PHILLIPS ROUND-PAN S/S A2	VITE M3X8 TCB A CROCE INOX A2
4	C.1.057.DX	BRACKET STEAM RIGHT LEVA	STAFFA VAPORE DX LEVA
	C.1.057.SX	BRACKET STEAM LEFT LEVA	STAFFA VAPORE SX LEVA
5	F.4.006	SLOT MECHANICAL POTENTIOMETER	SEDE POTENZIOMETRO MECCANICO
6	I.1.037	S/S STUD FOR STEAM VALVE CAM	PERNO INOX PER CAMMA VAPORE
7	C.1.349.DX	LEVER LOWER RIGHT STEAM WAND LEVA	LEVA INFERIORE LANCIA VAPORE DX LEVA
	C.1.349.DX.90	LEVER LOWER RIGHT STEAM WAND LEVA 90°	LEVA INFERIORE LANCIA VAPORE DX LEVA 90°
	C.1.349.SX	LEVER LOWER LEFT STEAM WAND LEVA	LEVA INFERIORE LANCIA VAPORE SX LEVA
	C.1.349.SX.90	LEVER LOWER LEFT STEAM WAND LEVA 90°	LEVA INFERIORE LANCIA VAPORE SX LEVA 90°
8	DADO5M_INOX	NUT M5 H4 WR8 S/S A2	DADO M5 H4 CH8 INOX A2
9	F.1.032	LOW TEFLON WASHER PADDLE EP	RONDELLA TEFLON BASSA PADDLE EP
10	I.1.033	WASHER 10,7X30X2 S/S A2	RONDELLA 10,7X30X1,8 INOX A2
11	I.5.003	BELLEVILLE SPRING 10X20X1,3	MOLLA A TAZZA 10X20X1,3
12	F.8.010	SHAFT MECHANICAL POTENTIOMETER	ALBERO POTENZIOMETRO MECCANICO
13	F.3.018.DX	FIXING ACTIVATION GROUP STEAM DX	FISSAGGIO GRUPPO AZIONAMENTO VAPORE DX
	F.3.018.SX	FIXING ACTIVATION GROUP STEAM SX	FISSAGGIO GRUPPO AZIONAMENTO VAPORE SX
14	F.1.095	CAM STEAM VALVE LEVA	CAMMA RUBINETTO VAPORE LEVA
15	I.1.076	SCREW M4X20 PHILLIPS COUNTERSUNK S/S A2	VITE M4X20 TS A CROCE INOX A2
Item	Part number/Codice	Description	Descrizione

STEAM VALVE ASSEMBLY - S VERSION





la marzocco

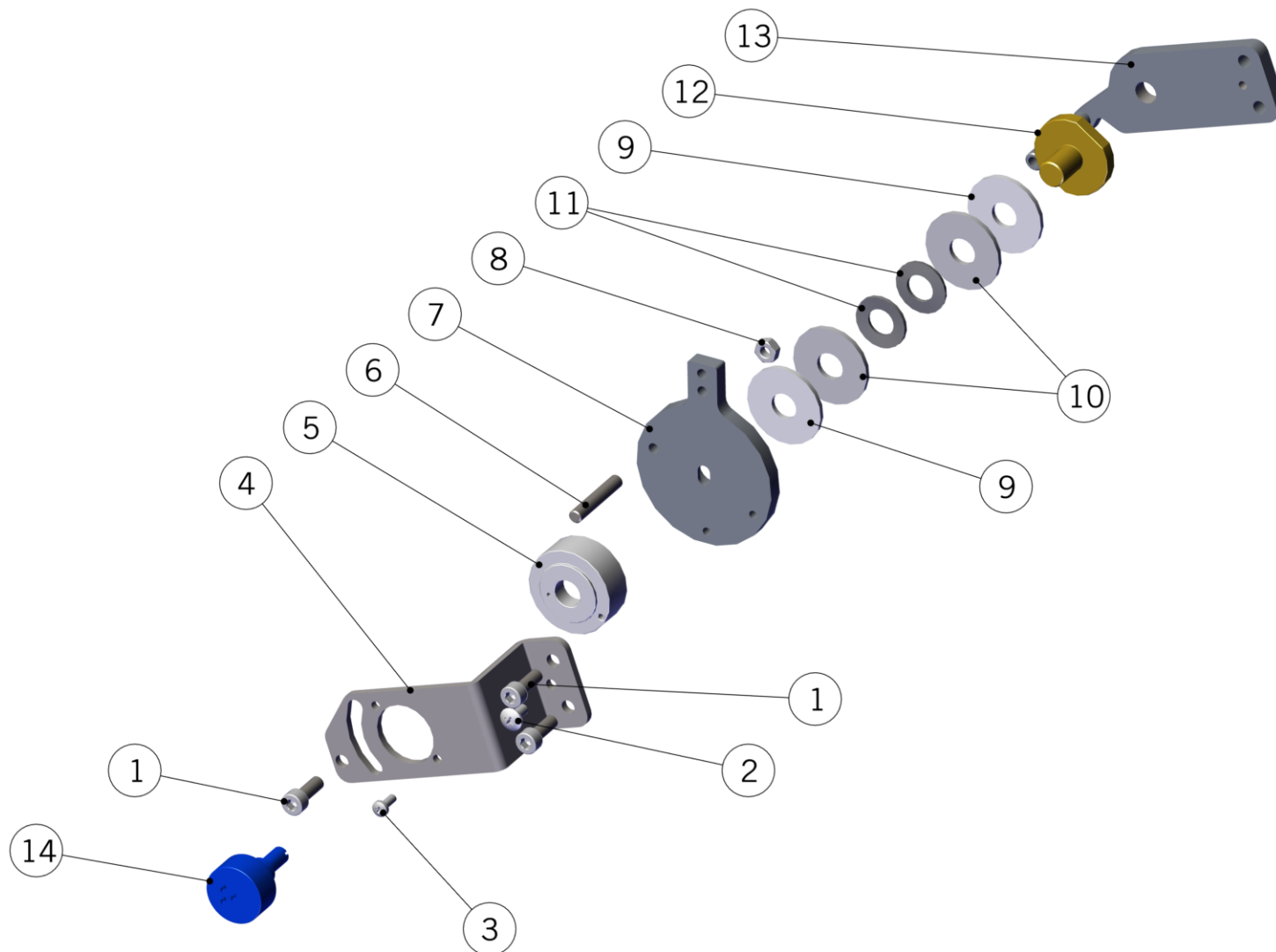
handmade in florence

STEAM VALVE ASSEMBLY - S VERSION

Rubinetto Vapore

1	B.1.007.01	STRADA MP STEAM VALVE TREATED	RUBINETTO VAPORE STRADA MP TRATTATO
2	B.1.007.K	REBUILD KIT STEAM VALVE STRADA MP / LEVA	KIT MANUTENZIONE RUB. VAP.STRADA MP/LEVA
3	A.1.018.01	FITTING G1/2M-1/4M WR27 BRASS TREATED	RACCORDO G1/2M-1/4M CH27 OTTONE TRATTATO
4	L260/1A	WASHER 21X27X1,5 COPPER	RONDELLA 21X27X1,5 RAME
5	A.1.001.01.R	COMPLETE STEAM VALVE BODY	CORPO RUBINETTO VAPORE GB5 COMPLETO
6	C.1.049	BRACKET MECHANICAL VALVE LEVA	STAFFA RUBINETTO MECCANICO LEVA
7	L037/D	NUT G1/2 H6 WR24 BRASS	DADO G1/2 H6 CH24 OTTONE
8	B.1.001.TR	SPECIAL WASHER 10X14X1,6 COPPER	RONDELLA SPECIALE 10X14X1,6 RAME
9	L192.02	ANTI-SUCTION VALVE RP	VALVOLA ANTI-DEPRESSIONE X RUBINETTO RP
10	T.4.001	ANTISUCTION VALVE SILICONE TUBE	TUBO SILICONE 5X8 V. ANTIRISUCCHIO
11	L338/L100	PLASTIC FASTENER 100X2.5	FASCETTA FERMAFILO 98X2.5
12	A.1.002	GB5-STRADA MP STEAM VALVE SHAFT	ASTA D8 RUBINETTO VAPORE GB5-STRADA MP
13	F.4.001	TEFLON GASKET 12X9.8X1	GUARNIZIONE TEFLON 12X9.8X1
14	F.3.007	S/S STEAM VALVE SEAT	SEDE AISI 316 PER RUB. GB/5
15	H.2.001	STEAM VALVE SEAL GASKET	GUARNIZIONE TENUTA RUBINETTO VAP.
16	A.1.004.01	STEAM VALVE SEAL HOLDER TREATED	RACC. GUARN. TENUTA C/TRATT. RUVECO PLUS
17	B.2.010	STEAM VALVE SEAL ASSEMBLY	ASSIEME TENUTA RUBINETTO VAPORE
18	F.3.005.01	SPRING COMPRESSION 1,2X11,7X29,5 S/S	MOLLA A COMPRESSIONE 1,2X11,7X29,5 INOX
19	H.2.002	PTFE GASKET 24X19X2mm	GUARNIZIONE PTFE 24X19X2mm
20	A.1.003.01	GB5 STEAM VALVE INLET FITTING TREATED	RACCORDO INGRESSO RUB. VAP. GB5 TRATTATO
21	B.3.001	PTFE ANTI-SUCTION VALVE SEAL	PASTIGLIA TEFLON X VALV. ANTI
22	F.2.019	O-RING 1,78X3,68 SILICONE 70 SH	O-RING 1,78X3,68 SILICONE 70 SH
23	B.2.013.01	ANTI-SUCTION VALVE SHAFT TREATED	ALBERINO V. ANTIRISUCCHIO TRATTATA
Item	Part number/Codice	Description	Descrizione

STEAM VALVE ELECTRONIC ASSEMBLY - X and 90 VERSION





la marzocco

handmade in florence

STEAM VALVE ELECTRONIC ASSEMBLY - X and 90 VERSION

Leva Vapore Elettronica

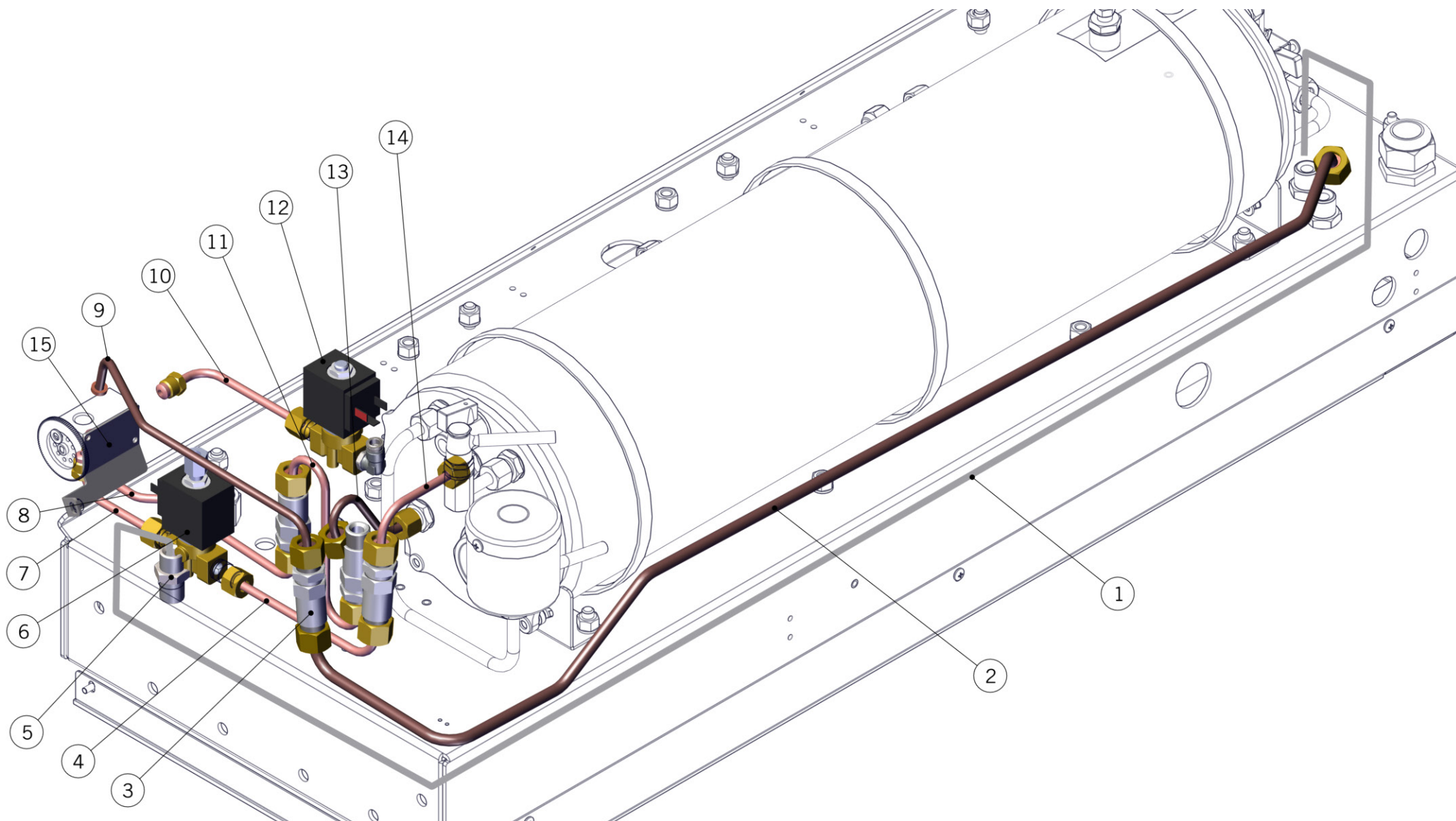
1	I.1.011	SCREW M5X14 SOCKET CAP S/S A2	VITE M5X14 TC A BRUGOLA INOX A2
2	I.1.006	SCREW M4X8 PHILLIPS BUTTON HEAD S/S A2	VITE M4X8 TPB A CROCE INOX A2
3	VITE3X8	SCREW M3X8 PHILLIPS ROUND-PAN S/S A2	VITE M3X8 TCB A CROCE INOX A2
4	C.1.057.DX	BRACKET STEAM RIGHT LEVA	STAFFA VAPORE DX LEVA
	C.1.057.SX	BRACKET STEAM LEFT LEVA	STAFFA VAPORE SX LEVA
5	F.4.006	SLOT MECHANICAL POTENTIOMETER	SEDE POTENZIOMETRO MECCANICO
6	I.1.037	S/S STUD FOR STEAM VALVE CAM	PERNO INOX PER CAMMA VAPORE
7	C.1.349.DX	LEVER LOWER RIGHT STEAM WAND LEVA	LEVA INFERIORE LANCIA VAPORE DX LEVA
	C.1.349.SX	LEVER LOWER LEFT STEAM WAND LEVA	LEVA INFERIORE LANCIA VAPORE SX LEVA
8	DADO5M_INOX	NUT M5 H4 WR8 S/S A2	DADO M5 H4 CH8 INOX A2
9	F.1.032	LOW TEFLON WASHER PADDLE EP	RONDELLA TEFLON BASSA PADDLE EP
10	I.1.033	WASHER 10,7X30X2 S/S A2	RONDELLA 10,7X30X1,8 INOX A2
11	I.5.003	BELLEVILLE SPRING 10X20X1,3	MOLLA A TAZZA 10X20X1,3
12	F.8.010	SHAFT MECHANICAL POTENTIOMETER	ALBERO POTENZIOMETRO MECCANICO
13	F.3.018.DX	FIXING ACTIVATION GROUP STEAM DX	FISSAGGIO GRUPPO AZIONAMENTO VAPORE DX
	F.3.018.SX	FIXING ACTIVATION GROUP STEAM SX	FISSAGGIO GRUPPO AZIONAMENTO VAPORE SX
14	E.2.048	POTENTIOMETER 10KOHM 340° IP65	POTENZIOMETRO 10KOHM 340° IP65
Item	Part number/Codice	Description	Descrizione



la marzocco

handmade in florence

HYDRAULIC ASSEMBLY





la marzocco

handmade in florence

HYDRAULIC ASSEMBLY

Impianto Idraulico

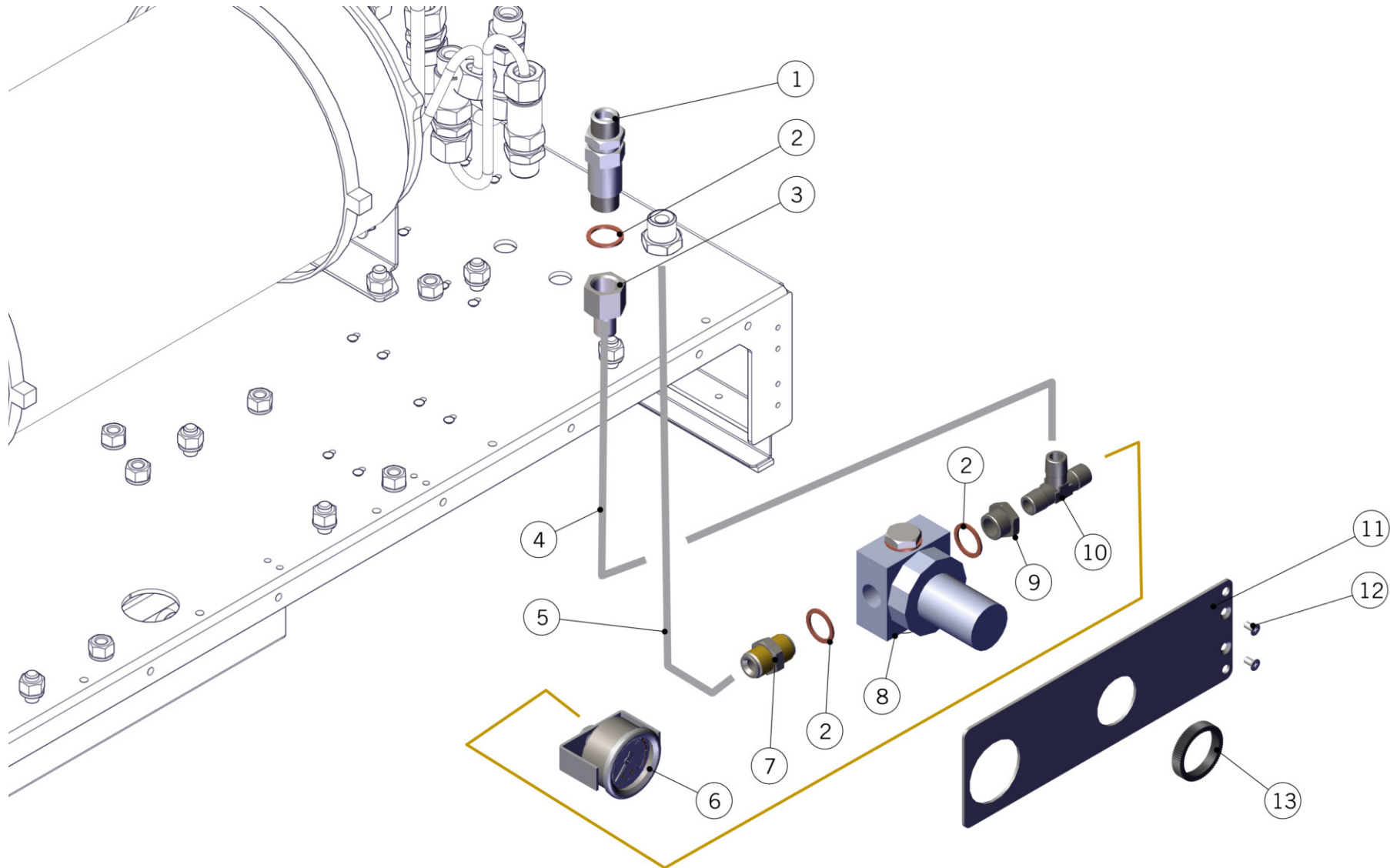
1	L305/120.01	BRAIDED HOSE CM.120 3/8 F	TUBO FLESSIB INOX 3/8F CM.120
2	T.1.105	TUBE INLET MANIFOLD - STEAM CHECK V. 3GR	TUBO ANCORAGGIO - V.RITEGNO VAPORE 3GR
	T.1.141	TUBE INLET MANIFOLD-STEAM CHECK V. 2GR	TUBO ANCORAGGIO - V.RITEGNO VAPORE 2GR
3	L032/P.01	CHECK VALVE G3/8M TREATED	VALVOLA DI RITEGNO G3/8M TRATTATA
4	T.1.207	TUBE INLET S.V. - CHECK VALVE LEVA	TUBO EV INGRESSO - VALVOLA RITEGNO LEVA
5	A.5.020	NIPPLE G3/8M-G3/8M WR21 H38 BRASS TR.	NIPPLO G3/8M-G3/8M CH21 H38 OTT. TR.
6	L100/E.02	SOLENOID VALVE 2 WAY 220/240V	ELETTROVALVOLA 3 VIE 220/240V
	L100/E200.01	SOLENOID VALVE 3 WAY 200V	ELETTROVALVOLA 3 VIE 200V
7	T.1.197	TUBE MIX V. - S.V. STEAM B. INLET LEVA	TUBO V.MISC. - EV INGR. C. VAPORE LEVA
8	T.1.199	TUBE MIX V. - CHECK VALVE LEVA	TUBO V.MISCELAZIONE - V.RITEGNO LEVA
9	T.1.115	TUBE CHECK V. - TEA MIX V. STRADA	TUBO V.RITEGNO - V.MISC. TE' STRADA
10	T.1.200	TUBE MIX V. - HOT WATER S.V. LEVA	TUBO V.MISC. - EV ACQUA CALDA LEVA
11	T.1.198	TUBE CHECK V. - STEAM B. CHECK V. LEVA	TUBO V.RITEGNO - V.RITEGNO C.V. LEVA
12	L053.02	SOLENOID VALVE 2 WAY 220/240V	ELETTROVALVOLA 2 VIE 220/240V
	L053/200.01	SOLENOID VALVE 2 WAY 200V	ELETTROVALVOLA 2 VIE 200V
13	T.1.119	TUBE STEAM B. EXIT-CHECK VALVE STRADA	TUBO USCITA C.VAPORE - V.RITEGNO STRADA
14	T.1.118	TUBE CHECK VALVE - IN. STEAM B. STRADA	TUBO V.RITEGNO - INGR. C.VAPORE STRADA
15	C.1.052	BRACKET MIX HOT WATER LEVA	STAFFA MISCELAZ. ACQUA CALDA LEVA
Item	Part number/Codice	Description	Descrizione



la marzocco

handmade in florence

HYDRAULIC ASSEMBLY





la marzocco

handmade in florence

HYDRAULIC ASSEMBLY

Impianto Idraulico

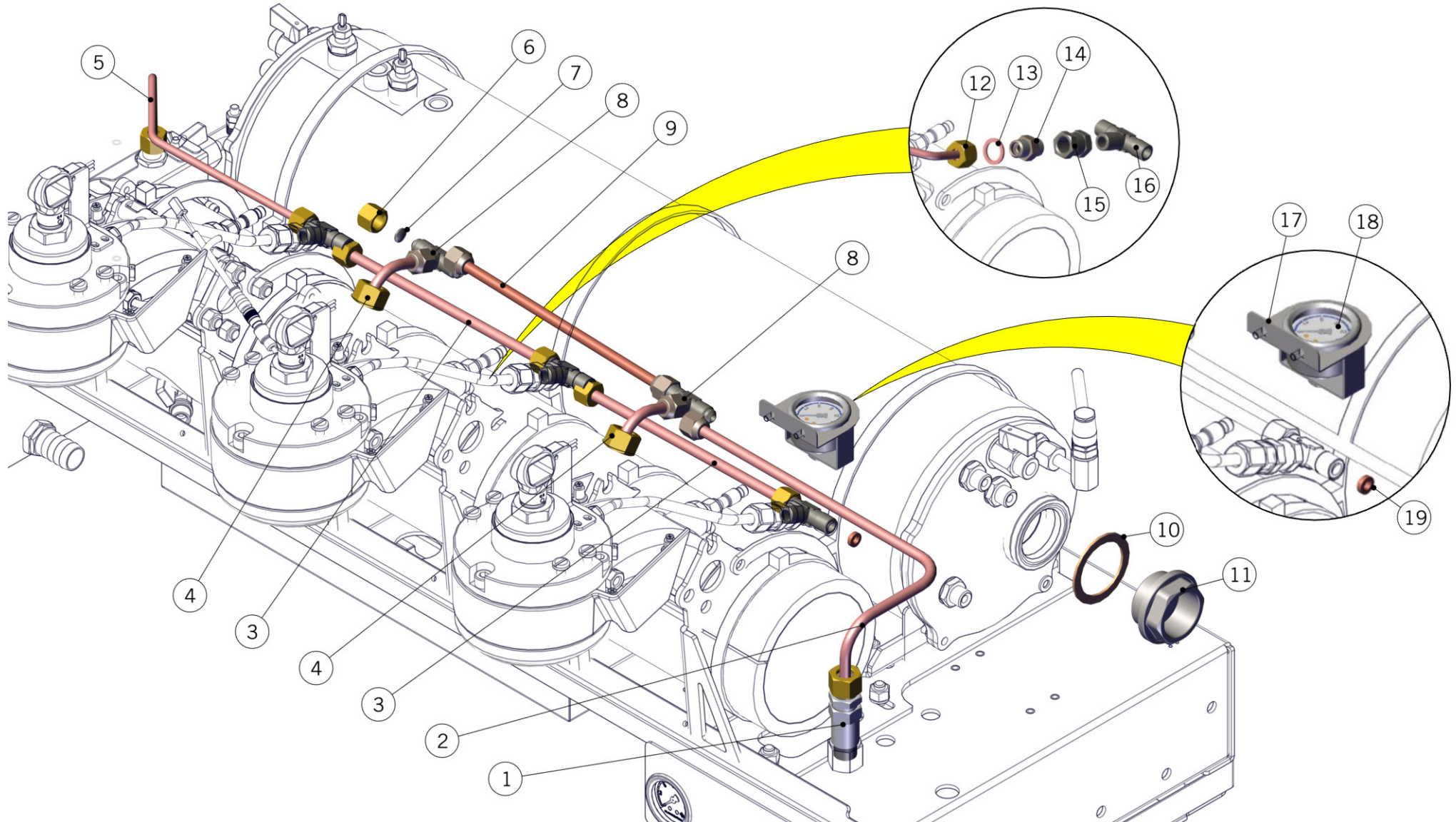
1	L032/P.01	CHECK VALVE G3/8M TREATED	VALVOLA DI RITEGNO G3/8M TRATTATA
2	L180/1	WASHER 22X17X1,5 COPPER	RONDELLA 17X22X1,5 RAME
3	A.5.021	FITTING G1/4M-G3/8F WR22 BRASS TREATED	RACCORDO G1/4M-G3/8F CH22 OTTONE TR.
4	T.5.004	BRAIDED HOSE G1/4 WR17 28CM	TUBO FLEX G1/4 CH17 28CM
5	L305/050.01	BRAIDED HOSE CM.50 3/8 F	TUBO FLESSIBIL INOX 3/8F CM.50
6	E.3.018	PRESS.GAUGE 0-9 WHITE W/CAPILLARY LEVA	MANOMETRO 0-9 BIANCO C/CAPILLARE LEVA
7	L305/N.01	NIPPLE G3/8M-G3/8M WR20 H31 BRASS TR.	NIPPLO G3/8M-G3/8M CH20 H31 OTTONE TR.
8	A.7.008	PRESSURE REDUCER LEVER GROUP	RIDUTTORE DI PRESSIONE GRUPPO LEVA
9	A.5.107	FITTING G3/8M-G1/4F WR19 S/S	RACCORDO G3/8M-G1/4F CH19 INOX
10	A.2.002.01	TEE FITTING R1/4M WR13 BRASS TREATED	RACCORDO A T R1/4M CH13 OTTONE TRATT.
11	C.1.056	BRACKET PRESSURE REDUCER W/PRESS. GAUGE	STAFFA RIDUTTORE DI PRESS. C/MANOMETRO
12	I.1.057	SCREW M4X8 PHILLIPS COUNTERSUNK S/S A2	VITE M4X8 TS A CROCE INOX A2
13	I.6.006	FERRULE FIXING PRESSURE REDUCER	GHIERA DI FISSAGGIO RIDUTTORE DI PRESS.
Item	Part number/Codice	Description	Descrizione



la marzocco

handmade in florence

HYDRAULIC ASSEMBLY - S VERSION





la marzocco

handmade in florence

HYDRAULIC ASSEMBLY - S VERSION

Impianto Idraulico

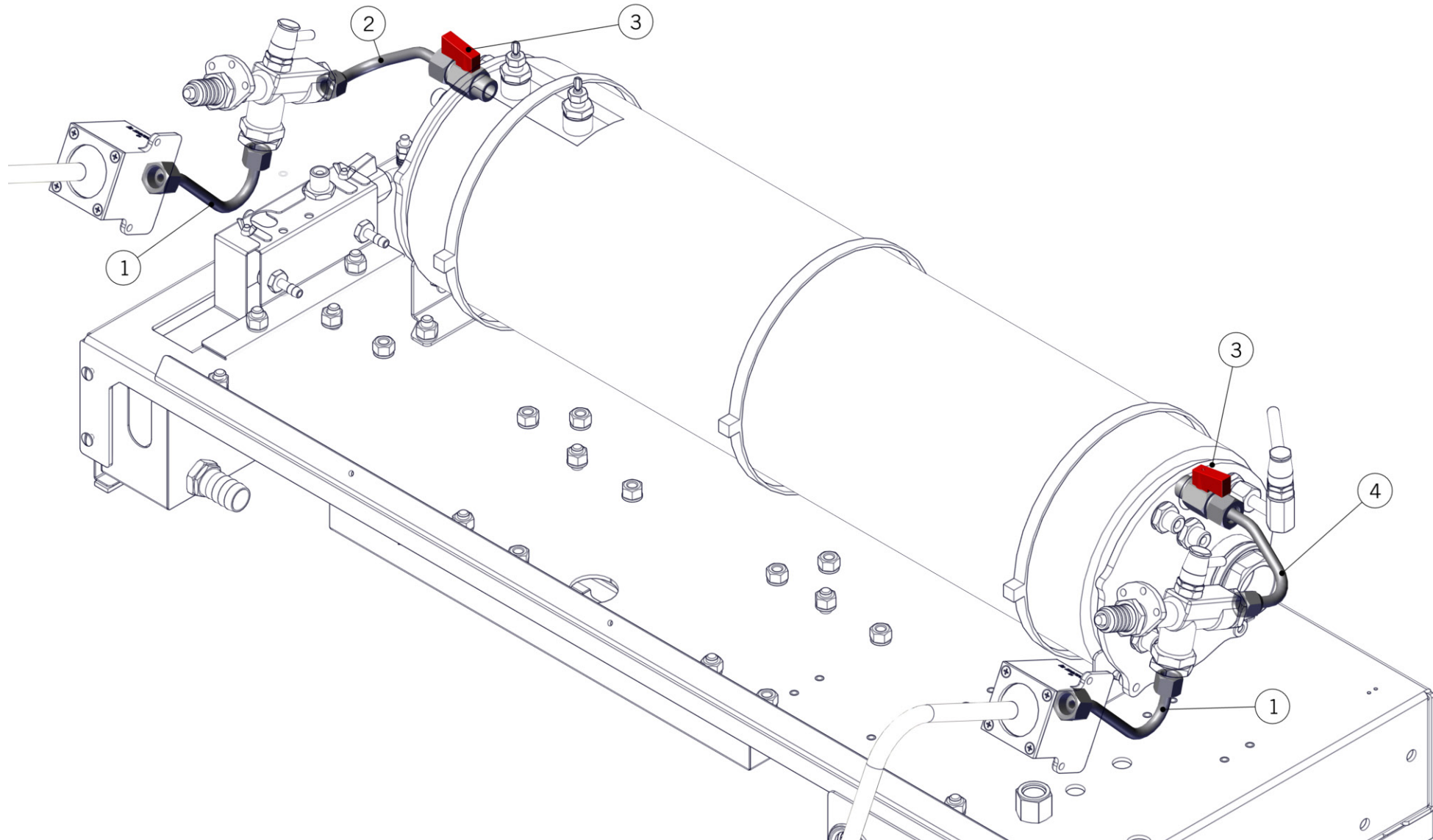
1	L032/P.01	CHECK VALVE G3/8M TREATED	VALVOLA DI RITEGNO G3/8M TRATTATA
2	T.1.211	TUBE CHECK V. - TEE FITTING C.B. LEVA	TUBO V.RITEGNO - T C.CAFFE' LEVA
3	T.1.113	TUBE COFFEE B. CONNECTION STRADA MP	TUBO COLLEGAMENTO C.CAFFE' STRADA MP
4	T.1.202	TUBE CROSS FITTING - COFFEE BOILER LEVA	TUBO CROCIERA - CALDAIA CAFFE' LEVA
5	T.1.206	TUBE COFFEE B. 1 T - EXPANSION V. LEVA	TUBO T C.CAFFE' 1 - V. ESPANSIONE LEVA
6	L130/4	FITTING G1/4F H13,5 WR17 BRASS	RACCORDO G1/4F H13,5 CH17 OTTONE
7	L137/4	FERRULE BLIND 11X3 TREATED	GHIANDINA CIECA 11X3 TRATTATO
8	L128.01	TEE FITTING G1/4M WR13 BRASS TREATED	RACCORDO A T G1/4M CH13 OTTONE TRATTATO
9	TL05/3	TUBE CROSS FITTING CONNECTION 3GR	TUBO COLLEGAMENTO CROCIERE 3GR
10	LR360	1-1/4 HEATER ELEMENT GASKET	GUARNIZIONE PIANA DM.55X42X2
11	A.2.108	CAP G1-1/4 H30 WR42 BRASS TREATED	TAPPO G1-1/4 H30 CH42 OTTONE TRATTATO
12	T.1.212	TUBE COFFEE B. - CHECK VALVE LEVER GROUP	TUBO C. CAFFE' - V. RITEGNO GRUPPO LEVA
13	L100/1A	WASHER 13,5X19X1,5 COPPER	RONDELLA 13,5X19X1,5 RAME
14	B.2.027	CHECK VALVE H27,5	VALVOLA NON RITORNO H27,5
15	A.2.003.01	FITTING G1/4F-G1/4F WR17 BRASS TREATED	RACCORDO G1/4F-G1/4F CH17 OTTONE TRATT.
16	A.2.002.01	TEE FITTING R1/4M WR13 BRASS TREATED	RACCORDO A T R1/4M CH13 OTTONE TRATT.
17	C.1.361	BRACKET PRESSURE GAUGES INTERNAL LEVA	STAFFA MANOMETRI INTERNI LEVA
18	E.3.001.02	PRESSURE GAUGE 0-18 BEIGE W/CAPILLARY	MANOMETRO 0-18 BEIGE C/CAPILLARE
19	L137/3	FERRULE 3,5X11X5 T5	GHIANDINA 3,5X11X5 T5
Item	Part number/Codice	Description	Descrizione



la marzocco

handmade in florence

HYDRAULIC ASSEMBLY - S VERSION





la marzocco

handmade in florence

HYDRAULIC ASSEMBLY - S VERSION

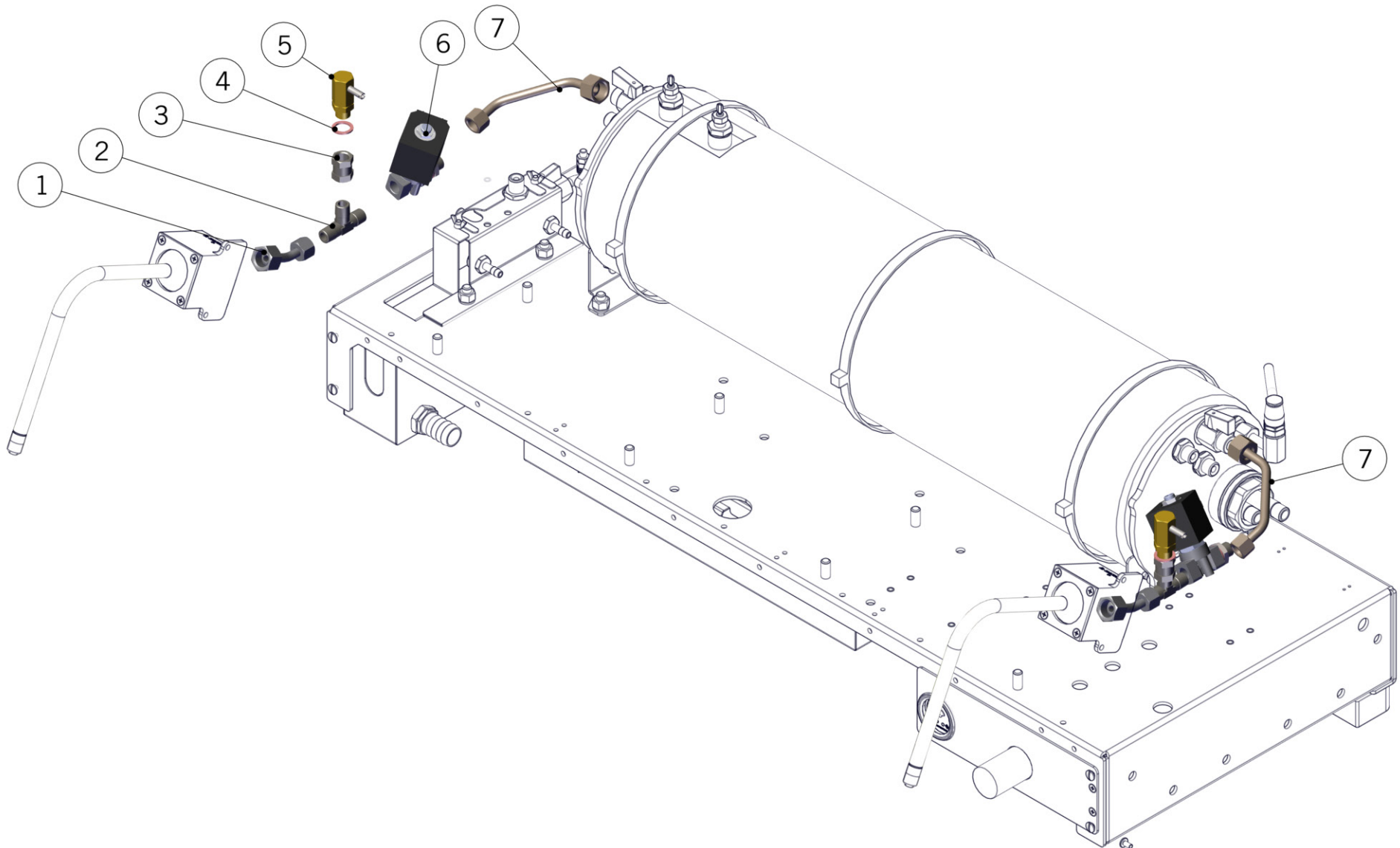
Impianto Idraulico	1	T.1.204	TUBE STEAM VALVE - SLOT STEAM WAND	TUBO RUB.VAPORE - SEDE LANCIA VAPORE
	2	T.1.210.SX	TUBE S.B. LEFT - STEAM VALVE LEVA TR.	TUBO SX C.VAPORE - RUB.VAPORE LEVA TR.
	3	L164/MM.02	BALL VALVE G3/8M-G3/8M BRASS TREATED	RUBINETTO A SFERA G3/8M-G3/8M OTTONE TR.
	4	T.1.210.DX	TUBE S.B. RIGHT - STEAM VALVE LEVA TR.	TUBO DX C.VAPORE - RUB.VAPORE LEVA TR.
	Item	Part number/Codice	Description	



la marzocco

handmade in florence

HYDRAULIC ASSEMBLY - X and 90 VERSION





la marzocco

handmade in florence

HYDRAULIC ASSEMBLY - X and 90 VERSION

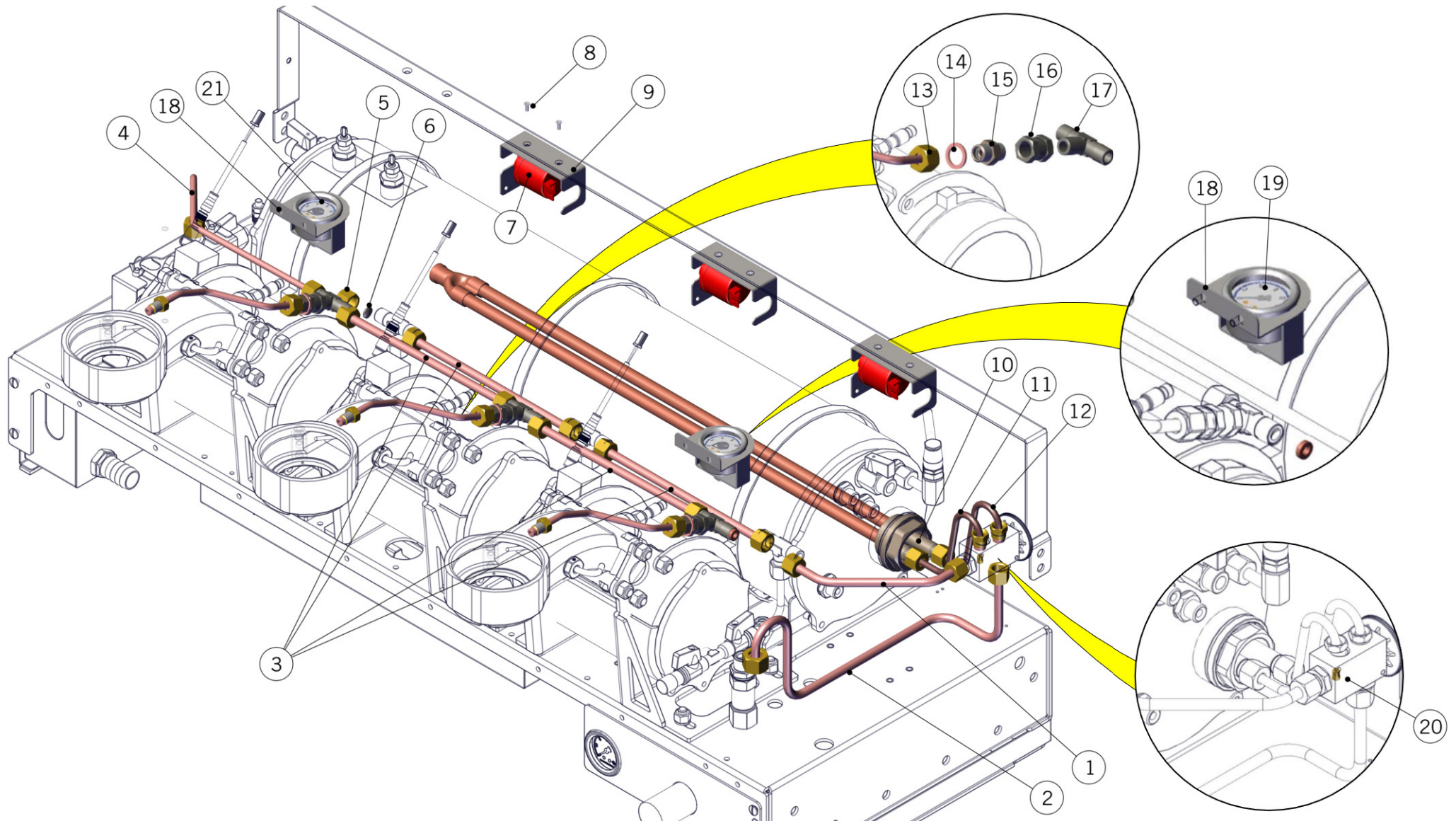
Impianto Idraulico	1	T.1.208	TUBE PROPORTIONAL S.V. - STEAM WAND	TUBO EV PROPORZIONALE - LANCIA VAPORE
	2	A.2.002.01	TEE FITTING R1/4M WR13 BRASS TREATED	RACCORDO A T R1/4M CH13 OTTONE TRATT.
	3	A.2.003.01	FITTING G1/4F-G1/4F WR17 BRASS TREATED	RACCORDO G1/4F-G1/4F CH17 OTTONE TRATT.
	4	L100/1A	WASHER 13,5X19X1,5 COPPER	RONDELLA 13,5X19X1,5 RAME
	5	L193.02	VACUUM BREAKER VALVE RP	VALVOLA ANTIDEPRESSIONE GS/3 RP
	6	B.2.020.01	SOLENOID VALVE PROP. 2 WAY D5,5 S/S 24V	ELETTRIVALVOLA PROP. 2 VIE D5,5 INOX 24V
	7	T.1.225	TUBE S.B. – PROP. S.V. LEVA TR.	TUBO C.VAPORE – EV PROP. LEVA TR.
	Item	Part number/Codice	Description	



la marzocco

handmade in florence

HYDRAULIC ASSEMBLY - X and 90 VERSION





la marzocco

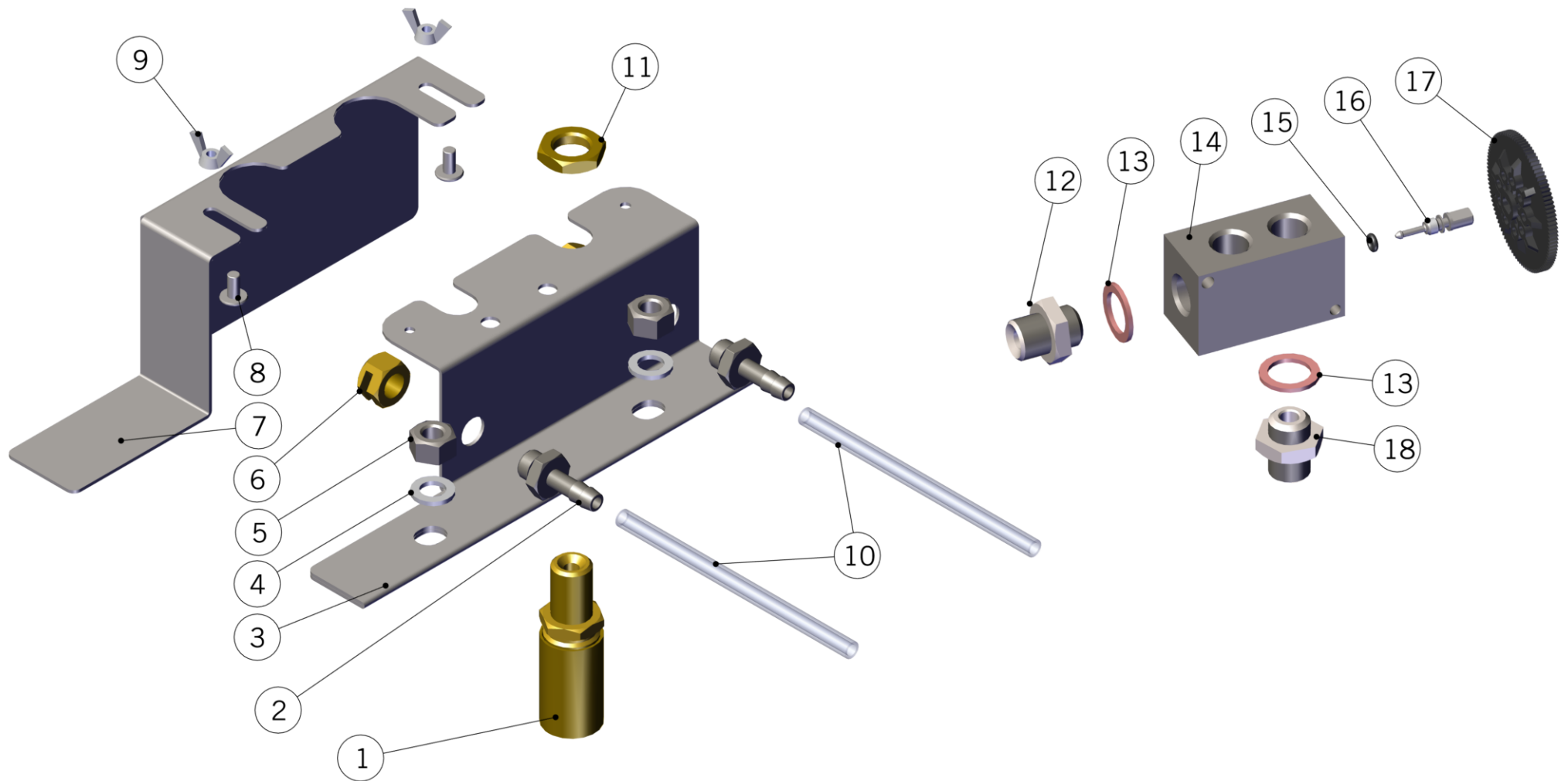
handmade in florence

HYDRAULIC ASSEMBLY - X and 90 VERSION

Impianto Idraulico

1	T.1.205	TUBE MIX V. - COFFEE BOILER T LEVA	TUBO V.MISC. - T C.CAFFE' LEVA
2	T.1.201	TUBE INLET MANIFOLD-MIX V. PRE-HEATER 3G	TUBO V.RITEGNO-V.MISC. PRERISC. LEVA 3GR
	T.1.224	TUBE INLET MANIFOLD-MIX V. PRE-HEATER 2G	TUBO V.RITEGNO-V.MISC. PRERISC. LEVA 2GR
3	T.1.113	TUBE COFFEE B. CONNECTION STRADA MP	TUBO COLLEGAMENTO C.CAFFE' STRADA MP
4	T.1.206	TUBE COFFEE B. 1 T - EXPANSION V. LEVA	TUBO T C.CAFFE' 1 - V. ESPANSIONE LEVA
5	L130/4	FITTING G1/4F H13,5 WR17 BRASS	RACCORDO G1/4F H13,5 CH17 OTTONE
6	L137/4	FERRULE BLIND 11X3 TREATED	GHIANDINA CIECA 11X3 TRATTATO
7	E.1.016.R	PRESSURE TRANSDUCER W/CONNECTORS	TRASDUTTORE DI PRESSIONE CON CONNETTORI
8	I.1.060	SCREW M3X6 PHILLIPS COUNTERSUNK S/S A2	VITE M3X6 TS A CROCE INOX A2
9	C.1.117.01	PRESSURE TRASDUCER BRACKET	STAFFA TRASDUTTORE DI PRESSIONE
10	T.1.015.02	PREHEATER 2GR L384 MM W/Y JUNCTION	PRERISCALDATORE 2GR L384 MM C/GIUNTO Y
	T.1.019.02	PREHEATER 3/4GR L584 MM W/Y JUNCTION	PRERISCALDATORE 3/4GR L584 MM C/GIUNTO Y
11	T.1.107	TUBE PRE-HEATER - MIXING VALVE STRADA	TUBO PRERISC. - V. MISC. STRADA
12	T.1.106	TUBE MIXING VALVE - PRE-HEATER STRADA	TUBO V.MISC. - PRERISC. STRADA
13	T.1.212	TUBE COFFEE B. - CHECK VALVE LEVER GROUP	TUBO C. CAFFE' - V. RITEGNO GRUPPO LEVA
14	L100/1A	WASHER 13,5X19X1,5 COPPER	RONDELLA 13,5X19X1,5 RAME
15	B.2.027	CHECK VALVE H27,5	VALVOLA NON RITORNO H27,5
16	A.2.003.01	FITTING G1/4F-G1/4F WR17 BRASS TREATED	RACCORDO G1/4F-G1/4F CH17 OTTONE TRATT.
17	A.2.002.01	TEE FITTING R1/4M WR13 BRASS TREATED	RACCORDO A T R1/4M CH13 OTTONE TRATT.
18	C.1.361	BRACKET PRESSURE GAUGES INTERNAL LEVA	STAFFA MANOMETRI INTERNI LEVA
19	E.3.001.02	PRESSURE GAUGE 0-18 BEIGE W/CAPILLARY	MANOMETRO 0-18 BEIGE C/CAPILLARE
20	B.2.011.01	GICLEUR 1,5 M5 CH5 BRASS TREATED	GICLEUR 1,5 M5 CH5 OTTONE TRATTATO
21	E.3.019	PRESS.GAUGE 0-3 WHITE W/CAPILLARY LEVA	MANOMETRO 0-3 BIANCO C/CAPILLARE LEVA
Item	Part number/Codice	Description	Descrizione

FITTING AND VALVES





la marzocco

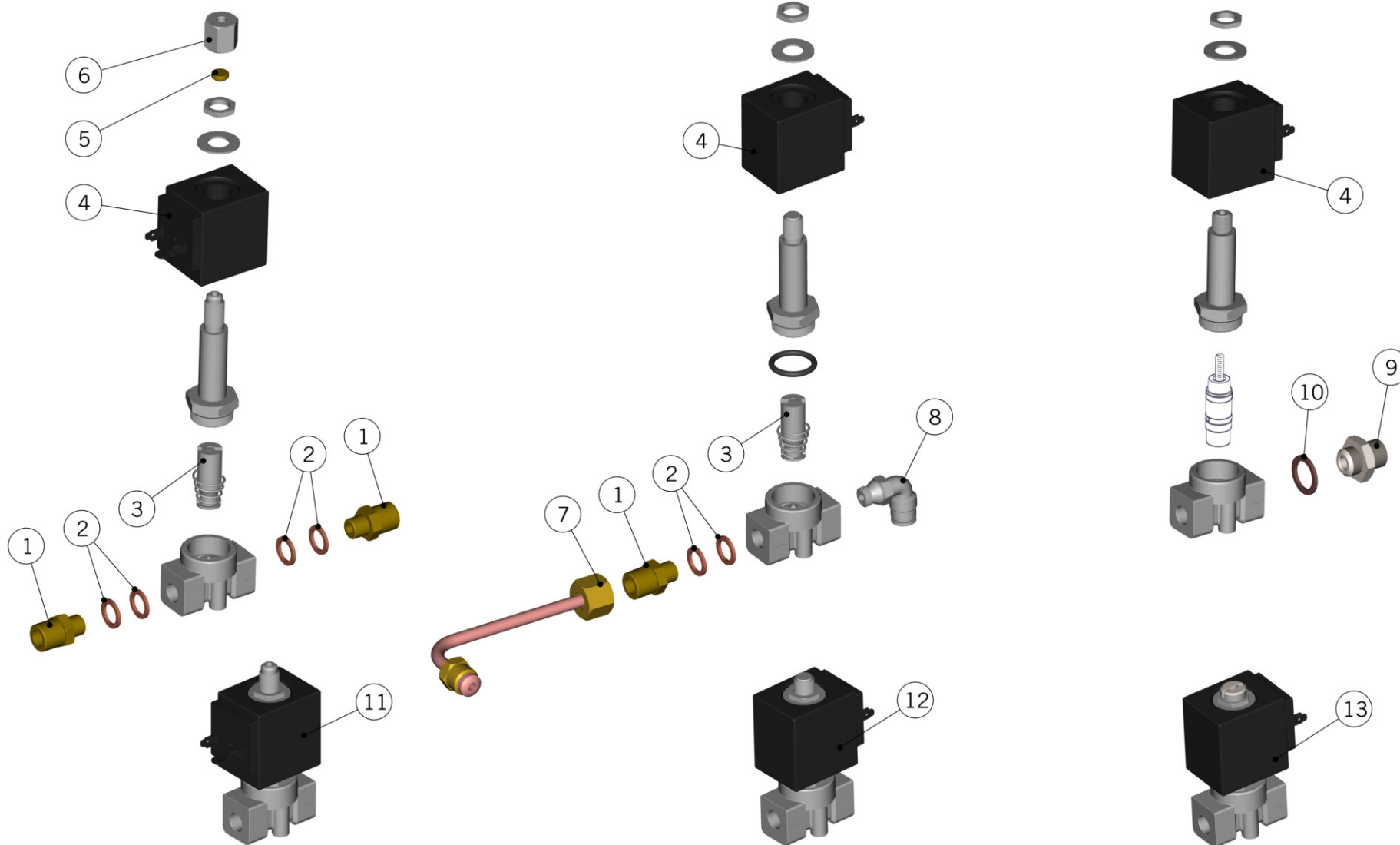
handmade in florence

FITTING AND VALVES

Raccordi e Valvole

1	L140_C	COMPLETE EXPANSION VALVE	VALVOLA ESPANSIONE COMPLETA
2	L292	GS/3 TUBE FITTING	PORTAGOMMA GS/3
3	C.1.375	BRACKET DRAINS LEVA	STAFFA SCARICHI LEVA
4	L1003	WASHER 8,5X14X1,5 S/S A2	RONDELLA 8,5X14X1,5 INOX A2
5	L1002	NUT M8 H8 WR13 S/S A2	DADO M8 H8 CH13 INOX A2
6	A.1.020	G1/8" BRASS BREAK FITTING	ROMPIGETTO 1/8 CH14
7	C.1.376	COVER DRAIN BOX LEVA	COPERTURA POZZETTO DI SCARICO LEVA
8	I.1.006	SCREW M4X8 PHILLIPS BUTTON HEAD S/S A2	VITE M4X8 TPB A CROCE INOX A2
9	I.1.035	WING NUT M4 H3 S/S A2	GALLETTO M4 H3 INOX A2
10	T.4.001	ANTISUCTION VALVE SILICONE TUBE	TUBO SILICONE 5X8 V. ANTIRISUCCHIO
11	L146	NUT G1/4 H4,5 WR19 BRASS	DADO G1/4 H4,5 CH19 OTTONE
12	A.5.019	NIPPLE G1/4M-G1/4M WR19 H21.5 BRASS TR.	NIPPLO G1/4M-G1/4M CH19 H21.5 OTT. TR.
13	L100/1A	WASHER 13,5X19X1,5 COPPER	RONDELLA 13,5X19X1,5 RAME
14	B.2.007.01	MIXING VALVE BODY TREATED	CORPO VALVOLA MISCELATRICE TRATTATA
15	H.1.007	O-RING 1.78X2.9 FKM 74 SH	O-RING 1.78X2.9 FKM 74 SH
16	F.3.008	THERMOSTATIC VALVE PIN	SPINA X VALV. TERMOSTATICA
17	F.1.016	THERMOSTATIC VALVE ADJUSTMENT KNOB	GHIERA REGOLAZIONE VALVOLA TERMOSTATICA
18	A.5.019	NIPPLE G1/4M-G1/4M WR19 H21.5 BRASS TR.	NIPPLO G1/4M-G1/4M CH19 H21.5 OTT. TR.
Item	Part number/Codice	Description	Descrizione

FITTING AND VALVES





la marzocco

handmade in florence

FITTING AND VALVES

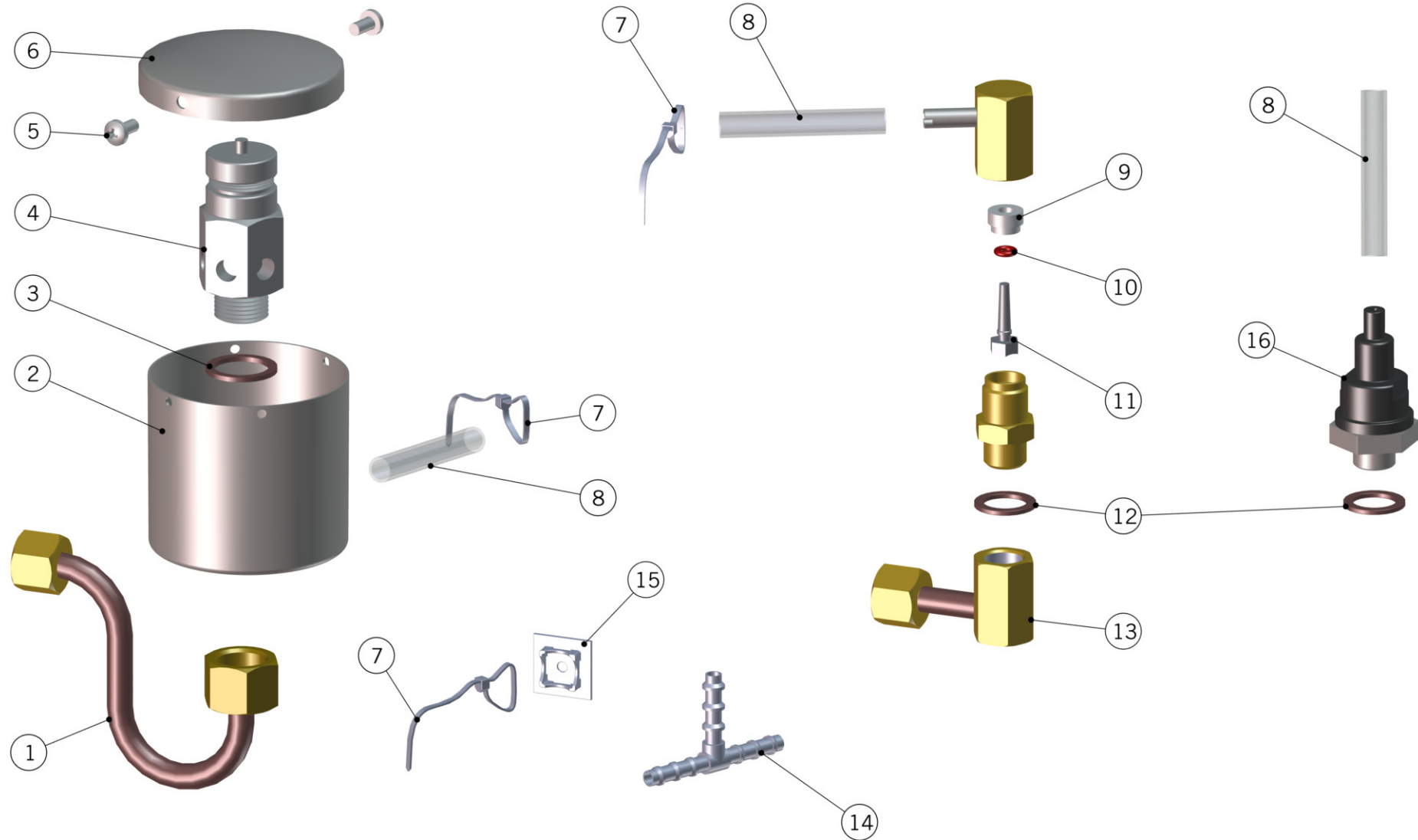
Raccordi e Valvole

1	L053/1.01	NIPPLE R1/8M-R1/4M WR14 BRASS TR.	NIPPLO R1/8M-R1/4M CH14 OTTONE TR.
2	L100/D	WASHER 10X14X1,5 COPPER	RONDELLA 10X14X1,5 RAME
3	L100/H	3-WAY SOLENOID VALVE VITON PLUNGER	NUCLEO MOBILE X EV.3 VIE VITON
4	L100/G.01	SV COIL 220-240V 8W UL CSA VDE	BOBINA EV 220-240V 8W UL CSA VDE
	L100/G200	SOLENOID COIL 200V	BOBINA PER ELETTROVALVOLA 200V
5	L134/4	FERRULE BLIND 8X4 TREATED	GHIANDINA CIECA 8X4 TRATTATO
6	L134	FITTING G1/8F H14 WR14 D4 BRASS	RACCORDO G1/8F H14 CH14 D4 OTTONE
7	T.1.200	TUBE MIX V. - HOT WATER S.V. LEVA	TUBO V.MISC. - EV ACQUA CALDA LEVA
8	A.2.101.02	FITTING PUSH-IN 90° 1/4"-G1/8M PPSU	RACCORDO RAPIDO 90° 1/4"-G1/8M PPSU
9	A.5.019	NIPPLE G1/4M-G1/4M WR19 H21.5 BRASS TR.	NIPPLO G1/4M-G1/4M CH19 H21.5 OTT. TR.
10	L100/1A	WASHER 13,5X19X1,5 COPPER	RONDELLA 13,5X19X1,5 RAME
11	L100/E.02	SOLENOID VALVE 2 WAY 220/240V	ELETTROVALVOLA 3 VIE 220/240V
	L100/E200.01	SOLENOID VALVE 3 WAY 200V	ELETTROVALVOLA 3 VIE 200V
12	L053.02	SOLENOID VALVE 2 WAY 220/240V	ELETTROVALVOLA 2 VIE 220/240V
	L053/200.01	SOLENOID VALVE 2 WAY 200V	ELETTROVALVOLA 2 VIE 200V
13	B.2.020.01	SOLENOID VALVE PROP. 2 WAY D5,5 S/S 24V	ELETTROVALVOLA PROP. 2 VIE D5,5 INOX 24V
Item	Part number/Codice	Description	Descrizione



la marzocco
handmade in florence

FITTING AND VALVES





la marzocco

handmade in florence

FITTING AND VALVES

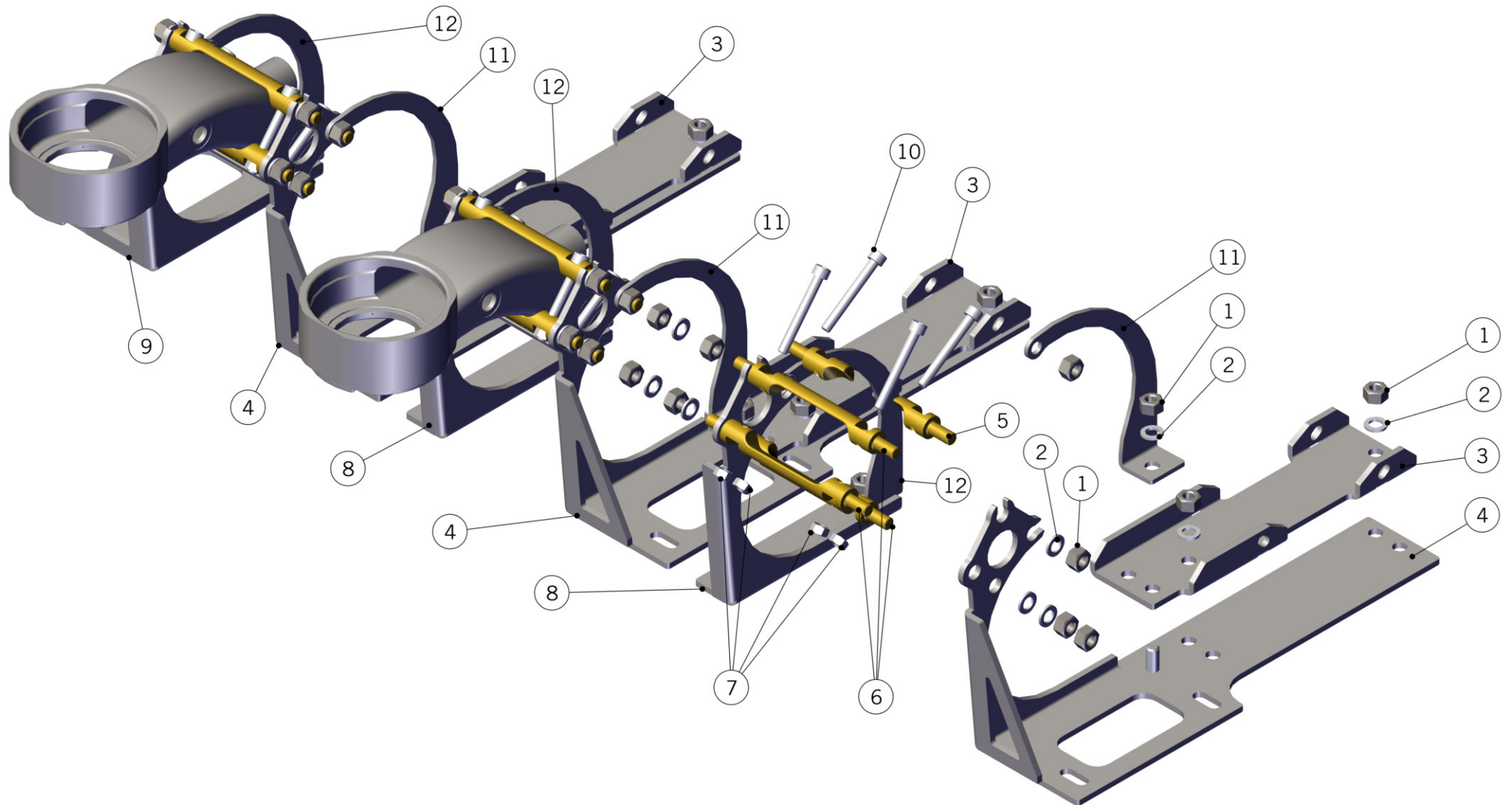
Raccordi e Valvole

1	T.1.049	TUBE STEAM BOILER - SAFETY VALVE LEVA	TUBO C.VAPORE - VALVOLA SICUREZZA LEVA
2	F.1.018.01	CUP SAFETY VALVE W/DRAIN TUBE	BICCHIERE VALVOLA SICUREZZA C/TUBO
3	L180/1	WASHER 22X17X1,5 COPPER	RONDELLA 17X22X1,5 RAME
4	B.2.024	SAFETY VALVE G3/8 1,8 BAR TEA	VALVOLA DI SICUREZZA G3/8 1,8 BAR TEA
5	I.1.006	SCREW M4X8 PHILLIPS BUTTON HEAD S/S A2	VITE M4X8 TPB A CROCE INOX A2
6	F.1.019	SAFETY VALVE PROTECTION CUP COVER	COPERCHIO BICCHIERE VALV. SICUREZZA
7	L338/L100	PLASTIC FASTENER 100X2.5	FASCETTA FERMAFILO 98X2.5
8	T.4.001	ANTISUCTION VALVE SILICONE TUBE	TUBO SILICONE 5X8 V. ANTIRISUCCHIO
9	B.1.001.T.01	G1/8 ANTI-SUCTION VALVE CAP TREATED	TAPPO G1/8 VALVOLA ANTIRISUCCHIO TRATT.
10	F.2.019	O-RING 1,78X3,68 SILICONE 70 SH	O-RING 1,78X3,68 SILICONE 70 SH
11	B.2.013.01	ANTI-SUCTION VALVE SHAFT TREATED	ALBERINO V. ANTIRISUCCHIO TRATTATA
12	L100/1A	WASHER 13,5X19X1,5 COPPER	RONDELLA 13,5X19X1,5 RAME
13	A.2.017	FITTING ANTI-DEPRESSION V. STEAM B.	RACC. V. ANTIDEPRESSIONE C.VAPORE
14	A.7.001.01	T FITTING FOR SILICONE TUBE	PORTAGOMMA A T PER TUBO SILICONE
15	5.V010	FASTENER ADHESIVE SUPPORT	INCOLLINO
16	B.2.029	VALVE VACUUM BREAKER SMA G1/4 S/S	VALVOLA ANTIDEPRESSIONE SMA G1/4 INOX
Item	Part number/Codice	Description	Descrizione



la marzocco
handmade in florence

COFFEE BOILER





la marzocco

handmade in florence

COFFEE BOILER

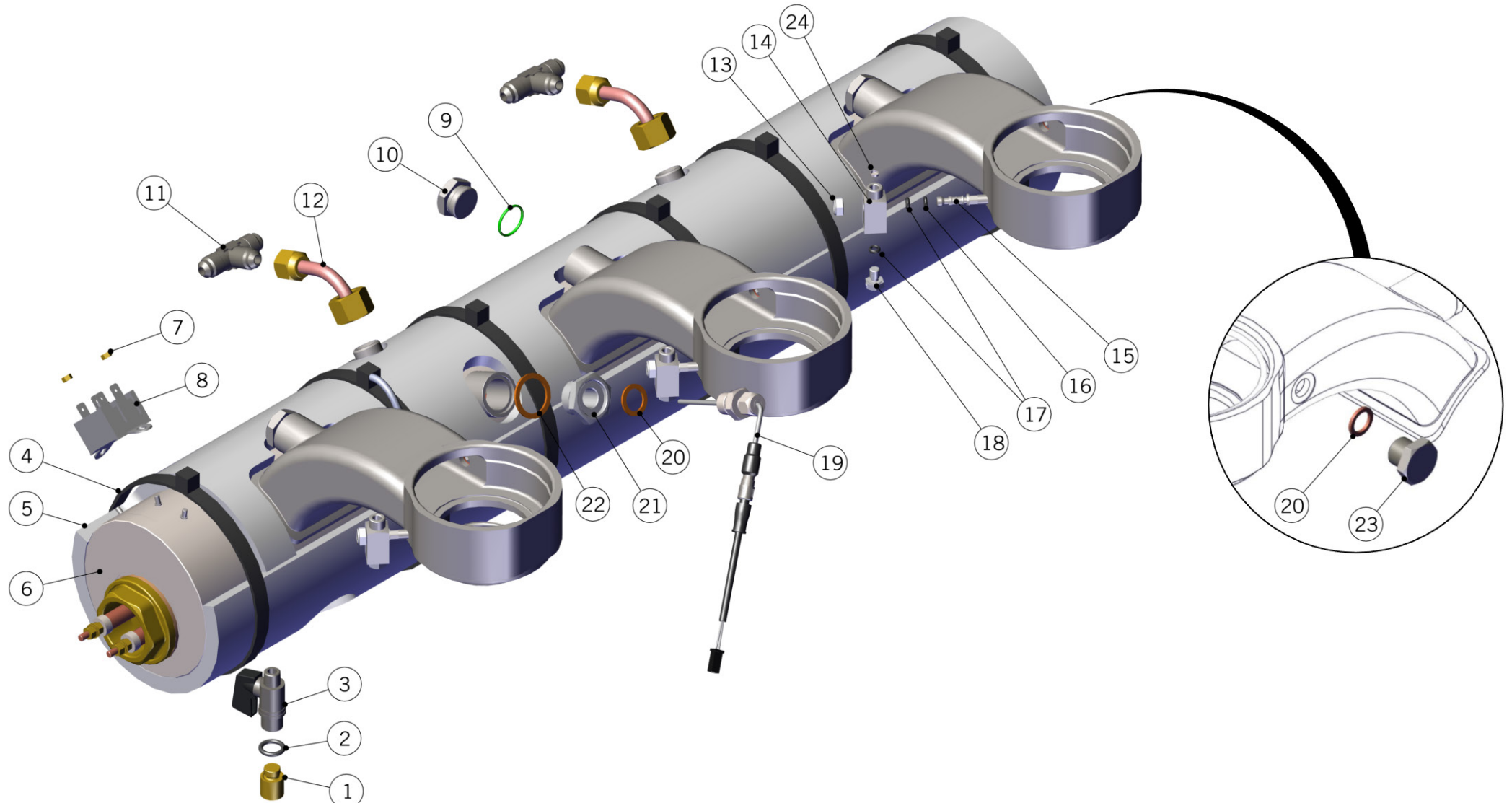
Caldaia Caffè

1	L1002	NUT M8 H8 WR13 S/S A2	DADO M8 H8 CH13 INOX A2
2	L1003	WASHER 8,5X14X1,5 S/S A2	RONDELLA 8,5X14X1,5 INOX A2
3	C.1.290	BRACKET STEAM BOILER LEVA	STAFFA CALDAIA VAPORE LEVA
4	C.1.121.DX	BRACKET RIGHT BOILER LEVER GROUP	STAFFA CALDAIA DX GRUPPO LEVA
5	F.8.007	SINGLE CLAMP BOILER LEVER GROUP	MORSETTO SINGOLO CALDAIA GRUPPO LEVA
6	F.8.006	DOUBLE CLAMP BOILER LEVER GROUP	MORSETTO DOPPIO CALDAIA GRUPPO LEVA
7	I.1.049	NUT M6 H5 WR10 S/S A2	DADO M6 H5 CH10 INOX A2
8	C.1.275	BRACKET MIDDLE BOILER LEVER GROUP	STAFFA CALDAIA INTERMEDIO GRUPPO LEVA
9	C.1.121.SX	BRACKET LEFT BOILER LEVER GROUP	STAFFA CALDAIA SX GRUPPO LEVA
10	I.1.100	SCREW M6X50 SOCKET CUP S/S	VITE M6X50 TC A BRUGOLA INOX
11	C.1.136	PLATE TIE ROD RIGHT BOILER LEVER GROUP	PIASTRA TIRANTE DX CALDAIA GRUPPO LEVA
12	C.1.287	PLATE TIE ROD LEFT BOILER LEVER GROUP	PIASTRA TIRANTE SX CALDAIA GRUPPO LEVA
Item	Part number/Codice	Description	Descrizione



la marzocco
handmade in florence

COFFEE BOILER - S VERSION





la marzocco

handmade in florence

COFFEE BOILER - S VERSION

Caldaia Caffè

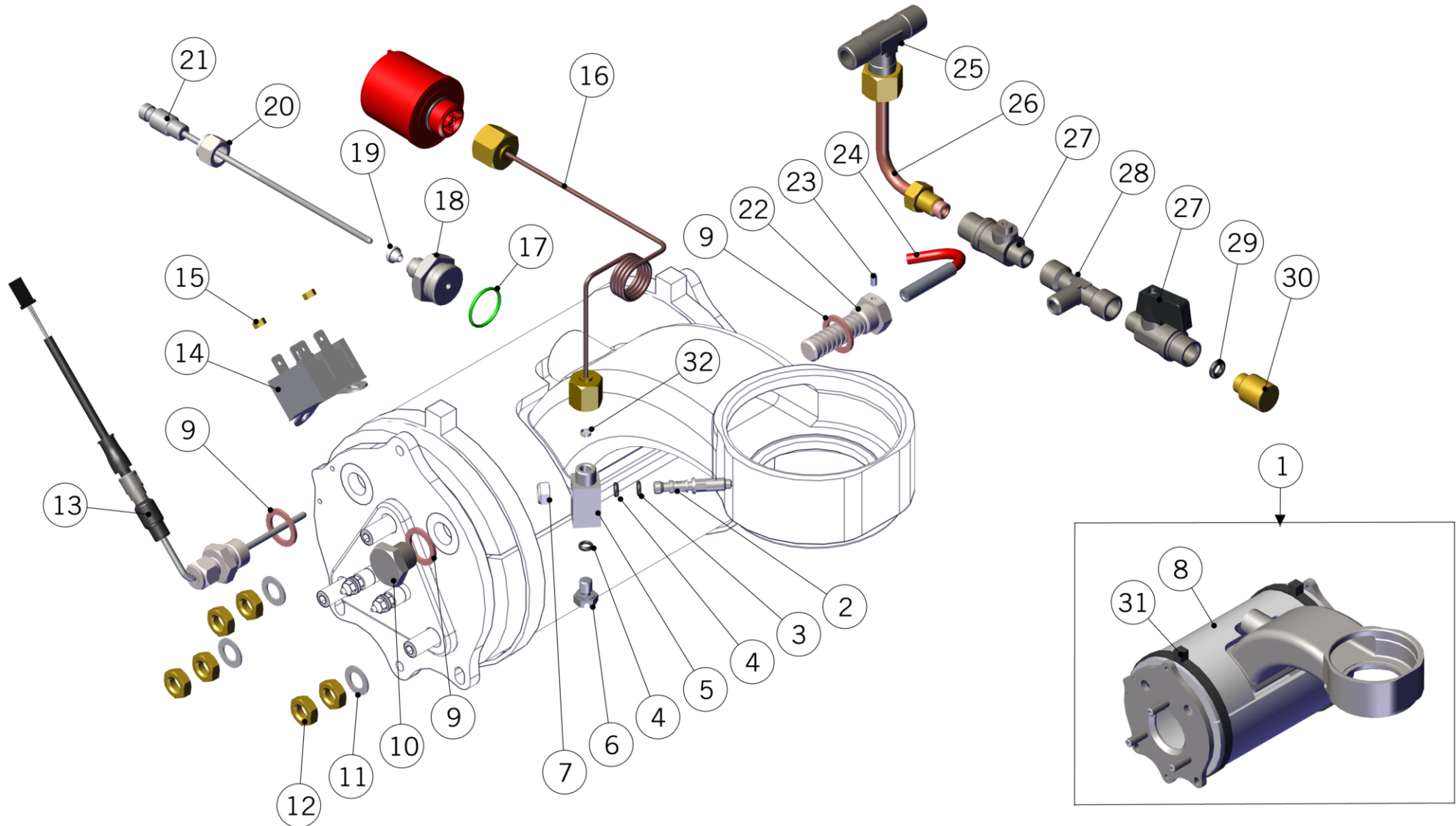
1	A.1.021	CAP G1/8 H19 D14 BRASS	TAPPO G1/8 H19 D14 OTTONE
2	L171/2	O-RING 1,78X6,75 FKM 70 SH	O-RING 1,78X6,75 FKM 70 SH
3	B.2.016.01	BALL VALVE G1/8F-R1/8M BRASS TREATED	RUBINETTO A SFERA G1/8F-R1/8M OTTONE TR.
4	A.5.016.01	PLASTIC FASTENER 750X7.5	FASCETTA NERA 750x7.5 NYLON
5	F.7.018	INSULATION PANEL COFFEE BOILER LEVA 2GR	ISOLANTE CALDAIA CAFFE' LEVA 2GR
	F.7.019	INSULATION PANEL COFFEE BOILER LEVA 3GR	ISOLANTE CALDAIA CAFFE' LEVA 3GR
6	L.1.008.2.R	COFFEE BOILER FLAT SIDE 2GR LEVA	CALDAIA CAFFE' FOND. PIATTI 2GR LEVA
	L.1.008.3.R	COFFEE BOILER FLAT SIDE 3GR LEVA	CALDAIA CAFFE' FOND. PIATTI 3GR LEVA
7	DADO3M	NUT M3 H3 WR5,5 BRASS	DADO M3 H3 CH5,5 OTTONE
8	L276/B	SAFETY THERMOSTAT 2P 130C 250V	TERMOSTATO BIPOL. 130C 250V
9	H.1.022	O-RING 1,78X15,60 VITON 70 SH	O-RING 1,78X15,60 VITON 70 SH
10	A.5.082	CAP M20X1 H13 WR22 S/S	TAPPO M20X1 H13 CH22 INOX
11	L128.01	TEE FITTING G1/4M WR13 BRASS TREATED	RACCORDO A T G1/4M CH13 OTTONE TRATTATO
12	T.1.202	TUBE CROSS FITTING - COFFEE BOILER LEVA	TUBO CROCIERA - CALDAIA CAFFE' LEVA
13	I.1.046	SELF LOCK NUT M6 H5 WR10 S/S A2	DADO AUTOBLOCCANTE M6 H5 CH10 INOX A2
14	A.5.086	SIPHON LEVER GROUP	SIFONE GRUPPO LEVA
15	A.5.004	FITTING SIPHON LEVER GROUP	RACCORDO SIFONE GRUPPO LEVA
16	H.1.001	O-RING 1,78X3,69 FKM 70 SH	O-RING 1,78X3,69 FKM 70 SH
17	H.1.021	OR103 (OR2018) IN EPDM X ALTA TEMP	OR103 (OR2018) IN EPDM X ALTA TEMP
18	A.5.085	SCREW AIR DISCHARGE	VITE SCARICO ARIA
19	E.1.005	PT1000 TEMPERATURE PROBE	SONDA DI TEMPERATURA PT1000
20	L100/1A	WASHER 13,5X19X1,5 COPPER	RONDELLA 13,5X19X1,5 RAME
21	A.2.007	PT1000 PROBE ADAPTOR	RIDUZIONE PER SONDA PT1000
22	L260/1A	WASHER 21X27X1,5 COPPER	RONDELLA 21X27X1,5 RAME
23	A.5.022	CAP G1/4 H15,5 WR19 S/S	TAPPO G1/4 H15,5 CH19 INOX
24	A.5.122	FILTER FOR LEVER GROUP SIPHON	FILTRO SIFONE GRUPPO LEVA
Item	Part number/Codice	Description	Descrizione



la marzocco

handmade in florence

COFFEE BOILER - X and 90 VERSION





la marzocco

handmade in florence

COFFEE BOILER - X and 90 VERSION

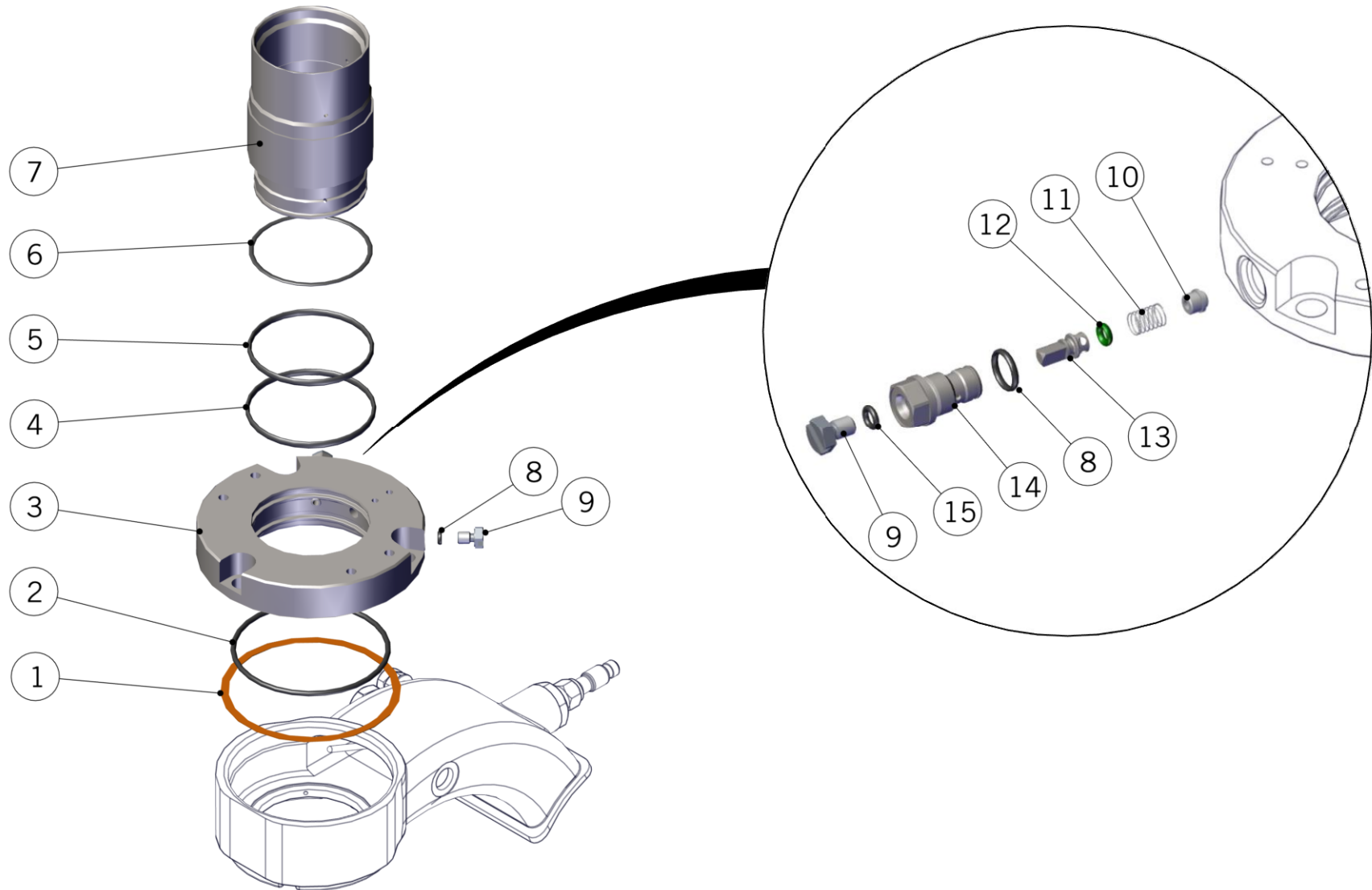
Caldaia Caffè

1	L.1.008.1.R	COFFEE BOILER 1GR LEVA	CALDAIA CAFFE' 1GR LEVA
2	A.5.004	FITTING SIPHON LEVER GROUP	RACCORDO SIFONE GRUPPO LEVA
3	H.1.001	O-RING 1,78X3,69 FKM 70 SH	O-RING 1,78X3,69 FKM 70 SH
4	H.1.021	OR103 (OR2018) IN EPDM X ALTA TEMP	OR103 (OR2018) IN EPDM X ALTA TEMP
5	A.5.086	SIPHON LEVER GROUP	SIFONE GRUPPO LEVA
6	A.5.085	SCREW AIR DISCHARGE	VITE SCARICO ARIA
7	I.1.046	SELF LOCK NUT M6 H5 WR10 S/S A2	DADO AUTOBLOCCANTE M6 H5 CH10 INOX A2
8	F.7.015	INSULATION PANEL COFFEE BOILER LEVA 1GR	ISOLANTE CALDAIA CAFFE' LEVA 1GR
9	L100/1A	WASHER 13,5X19X1,5 COPPER	RONDELLA 13,5X19X1,5 RAME
10	A.5.022	CAP G1/4 H15,5 WR19 S/S	TAPPO G1/4 H15,5 CH19 INOX
11	ROND_DENT_8	TOOTH LOCK WASHER 8X14,7X2 S/S A2	ROND.DENTATA 8,5X14,7X2 INOX A2
12	I.1.025	NUT M8 H5 WR13 BRASS	DADO BASSO M8 H5 CH13 (UNI5589) OTTONE
13	E.1.005	PT1000 TEMPERATURE PROBE	SONDA DI TEMPERATURA PT1000
14	L276/B	SAFETY THERMOSTAT 2P 130C 250V	TERMOSTATO BIPOL. 130C 250V
15	DADO3M	NUT M3 H3 WR5,5 BRASS	DADO M3 H3 CH5,5 OTTONE
16	TL11/234	TUBE PRESSURE GAUGE - COFFEE B. 2-3-4GR	TUBO MANOMETRO - C.CAFFE 2-3-4GR
17	H.1.022	O-RING 1,78X15,60 VITON 70 SH	O-RING 1,78X15,60 VITON 70 SH
18	A.5.076	FITTING M20X1 PROBE TEMPERATURE D3	RACCORDO M20X1 SONDA TEMPERATURA D3
19	F.3.069	CONE TEMPERATURE PROBE PT1000 150MM	CONO SONDA DI TEMPERATURA PT1000 150MM
20	F.3.070	CAP TEMPERATURE PROBE PT1000 150MM	CALOTTA SONDA DI TEMPERATURA PT1000 150MM
21	E.1.046	TEMPERATURE PROBE PT1000 150MM	SONDA DI TEMPERATURA PT1000 150MM
22	A.5.065	LINER HEATING Di 6.5 - G1/4	CAMICIA RESISTENZA Di 6.5 - G1/4
23	I.1.102	SOCKET GRUB SCREW M3X6 S/S	GRANO M3X6 A BRUGOLA INOX
24	E.6.022	HEATING CARTRIDGE W70 V220 D6,5	RESISTENZA A CARTUCCIA W70 V220 D6,5
25	A.2.002.01	TEE FITTING R1/4M WR13 BRASS TREATED	RACCORDO A T R1/4M CH13 OTTONE TRATT.
26	T.2.113	TUBE CHECK VALVE -AUOFILL SOLENOID V.GS3	TUBO V.RITEGNO - EV RIEMPIMENTO GS3
27	B.2.016.01	BALL VALVE G1/8F-R1/8M BRASS TREATED	RUBINETTO A SFERA G1/8F-R1/8M OTTONE TR.
28	A.2.012.01	TEE FITTING G1/8M-G1/8F WR10 BRASS TR.	RACCORDO A T G1/8M-G1/8F-G1/8F CH10 TR.
29	L171/2	O-RING 1,78X6,75 FKM 70 SH	O-RING 1,78X6,75 FKM 70 SH
30	A.1.021	CAP G1/8 H19 D14 BRASS	TAPPO G1/8 H19 D14 OTTONE
31	A.5.016.01	PLASTIC FASTENER 750X7.5	FASCETTA NERA 750x7.5 NYLON
32	A.5.122	FILTER FOR LEVER GROUP SIPHON	FILTRO SIFONE GRUPPO LEVA
Item	Part number/Codice	Description	Descrizione



la marzocco
handmade in florence

COFFEE BOILER





la marzocco

handmade in florence

COFFEE BOILER

Caldaia Caffè

1	L103/B	FIBER GASKET 87X81X0,5	GUARNIZ. PIANA 87X81X0.5 NOVUS
2	L103/A	O-RING 2,62X75,87 VITON 70 ShA FDA	O-RING 2,62X75,87 VITON 70 ShA FDA
3	A.5.059	GROUP CAP S/S LEVA	GROUP CAP INOX LEVA
4	H.1.015	O-RING 2,62X58,42 EPDM 70SH	O-RING 2,62X58,42 EPDM 70SH
5	H.1.014	O-RING 2,62X56,82 EPDM 70SH	O-RING 2,62X56,82 EPDM 70SH
6	H.1.034	O-RING 1,78X56,87 EPDM 70 SH	O-RING 1,78X56,87 EPDM 70 SH
7	A.5.070.01	CYLINDER LEVER GROUP	CILINDRO GRUPPO LEVA
8	H.1.021	OR103 (OR2018) IN EPDM X ALTA TEMP	OR103 (OR2018) IN EPDM X ALTA TEMP
9	A.5.085	SCREW AIR DISCHARGE	VITE SCARICO ARIA
10	A.5.063	BUSH CHECK VALVE LEVER GROUP	BOCCOLA VALVOLA NON RITORNO GRUPPO LEVA
11	I.1.112	SPRING COMPRESSION 0,3X15 S/S	MOLLA A COMPRESSIONE 0,3X15 INOX
12	H.1.001	O-RING 1,78X3,69 FKM 70 SH	O-RING 1,78X3,69 FKM 70 SH
13	A.5.081	SHAFT CHECK VALVE H27,5 S/S	ALBERO VALVOLA NON RITORNO H27,5 INOX
14	H.1.011.01	O-RING 1,78X9,25 EPDM 70 SH	O-RING 1,78X9,25 EPDM 70 SH
15	A.5.064	BODY CHECK VALVE LEVER GROUP	CORPO VALVOLA NON RITORNO GRUPPO LEVA
Item	Part number/Codice	Description	Descrizione

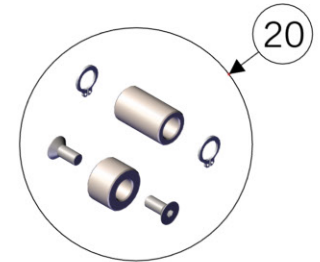
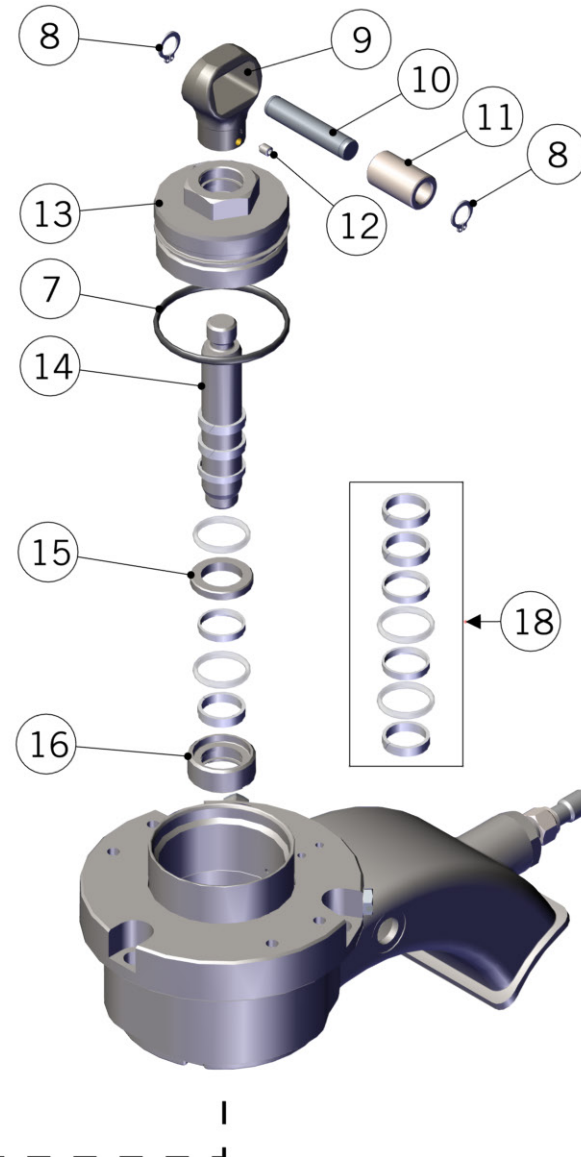
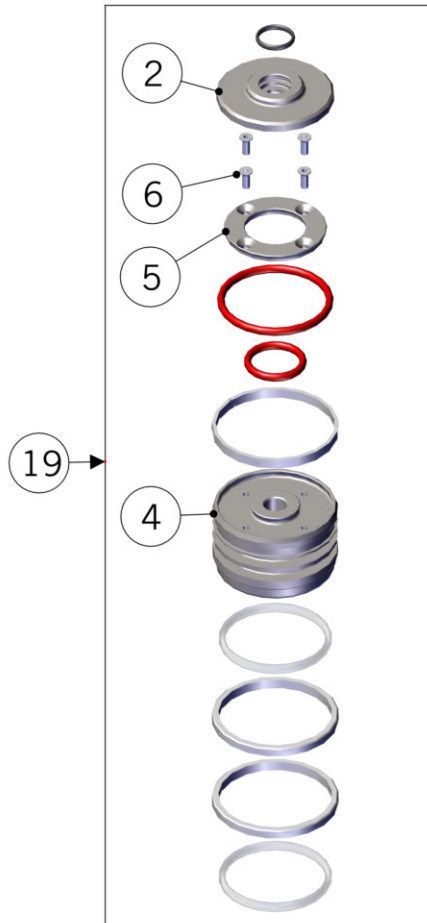
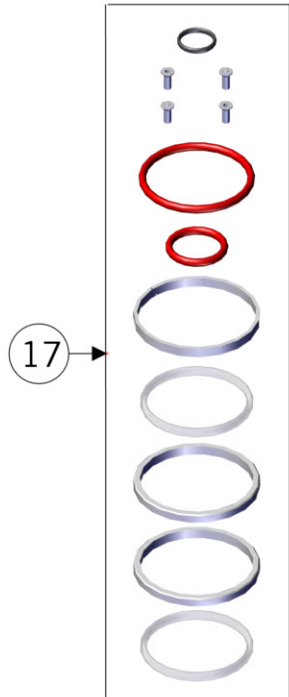


la marzocco

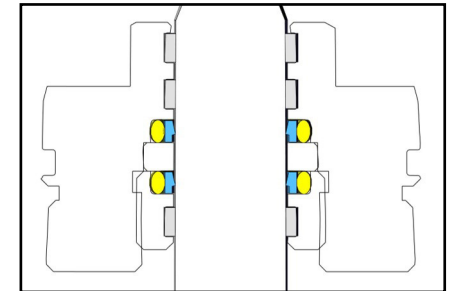
handmade in florence

COFFEE BOILER

TO REASSEMBLE THE PISTON SEALS,
WE RECOMMEND USING THE SPECIAL
TOOLS UT0015-16-17-18-19



PAY ATTENTION AT THE ORIENTATION OF THE SEALS





la marzocco

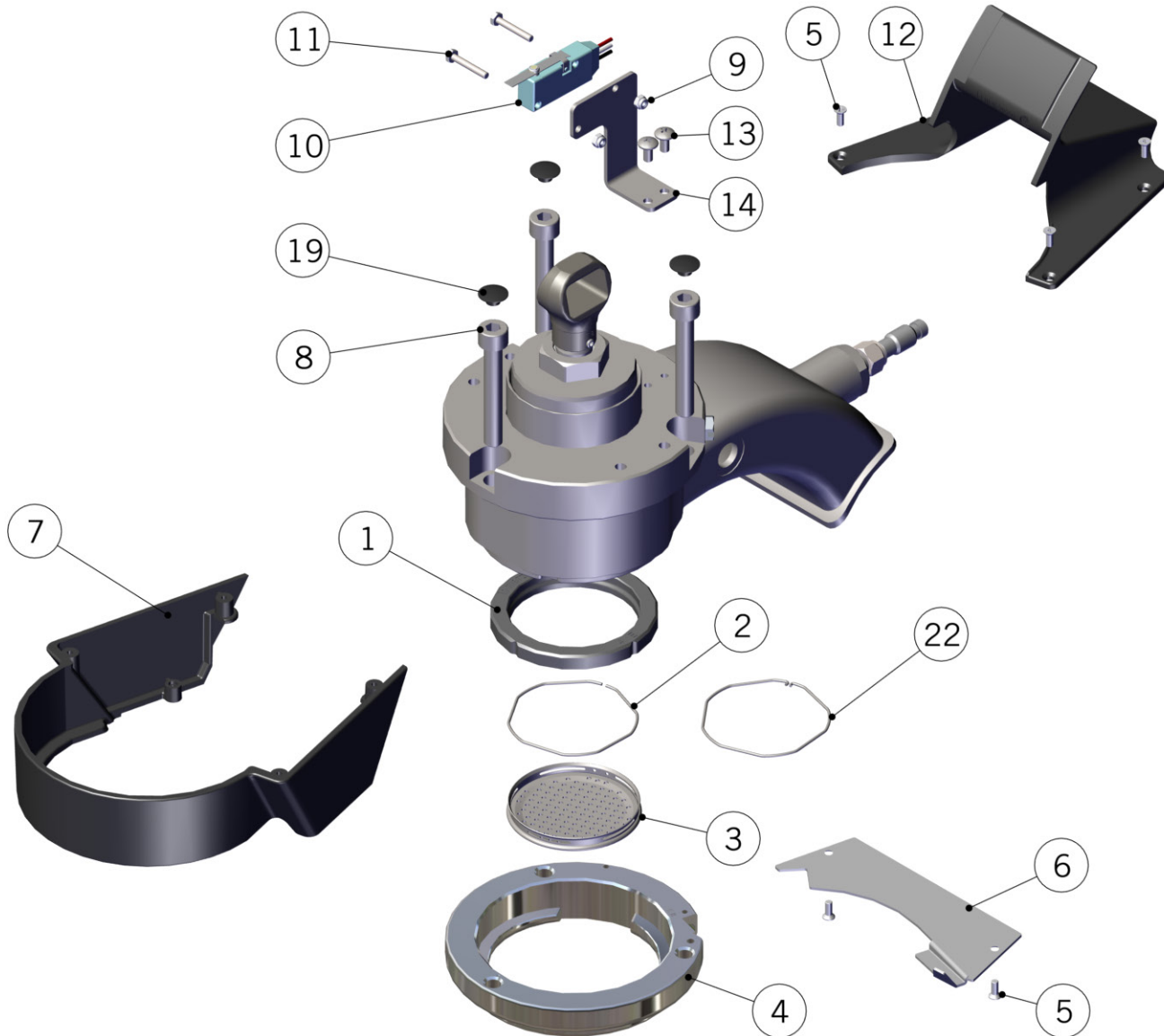
handmade in florence

COFFEE BOILER

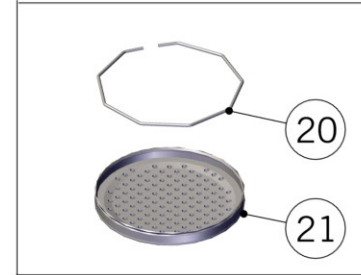
Caldaia Caffè

1	A.5.068	STUD PISTON LEVER GROUP	PERNO PISTONE GRUPPO LEVA
2	A.5.072	DISK PISTON ROD LEVER GROUP	DISCO STELO GRUPPO LEVA
3	I.1.012	SPRING DWIRE 2,5 PISTON BLOCK LEVA	MOLLA DFILLO 2,5 FERMA PISTONE LEVA
4	A.5.067	PISTON LEVER GROUP	PISTONE GRUPPO LEVA
5	A.5.069	RING ORING BLOCK PISTON	ANELLO BLOCCO ORING PISTONE
6	I.1.004	SCREW M3X8 SOCKET COUNTERSUNK S/S A2	VITE M3X8 TS A BRUGOLA INOX A2
7	H.1.012	O-RING 2,62X48,9 EPDM 70ShA FDA	O-RING 2,62X48,9 EPDM 70ShA FDA
8	I.1.103	SEEGER D9 FOR SHAFTS S/S	SEEGER D9 PER ALBERI INOX
9	A.3.006	PISTON ROD HEAD	TESTA STELO
10	F.3.083	STUD ROCKER ARM LEVER GROUP	PERNO BILANCIERE GRUPPO LEVA
11	F.1.088	BUSHING 9X15X25 LEVER GROUP	BOCCOLA 9X15X25 GRUPPO LEVA
12	I.1.101	SOCKET GRUB SCREW M4X6 S/S	GRANO M4X6 A BRUGOLA INOX
13	A.5.071	CYLINDER HEAD LEVER GROUP	TESTATA CILINDRO GRUPPO LEVA
14	A.5.062	PISTON ROD LEVER GROUP	STELO PISTONE GRUPPO LEVA
15	A.5.073	SPACER GASKETS PISTON ROD S/S	DISTANZIALE GUARNIZIONI STELO INOX
16	A.5.074	CLOSING CYLINDER HEAD	CHIUSURA TESTATA CILINDRO
17	1001	PISTON SERVICE KIT LEVA	KIT MANUTENZIONE PISTONE LEVA
18	1002	ROD O-RING KIT	KIT TENUTE STELO LEVA
19	1003	PISTON ASSEMBLY LEVA	ASSIEME PISTONE RICAMBIO
20	1004	ROLLER CAM KIT	KIT RULLI LEVA
Item	Part number/Codice	Description	Descrizione

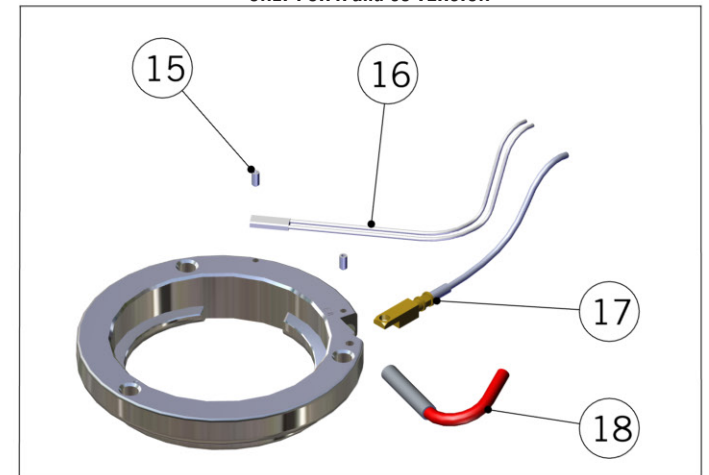
COFFEE BOILER



ONLY FOR OLD CYLINDER A.5.070
see "TB152 - Leva new cylinder and shower screen"



ONLY FOR X and 90 VERSION





la marzocco

handmade in florence

COFFEE BOILER

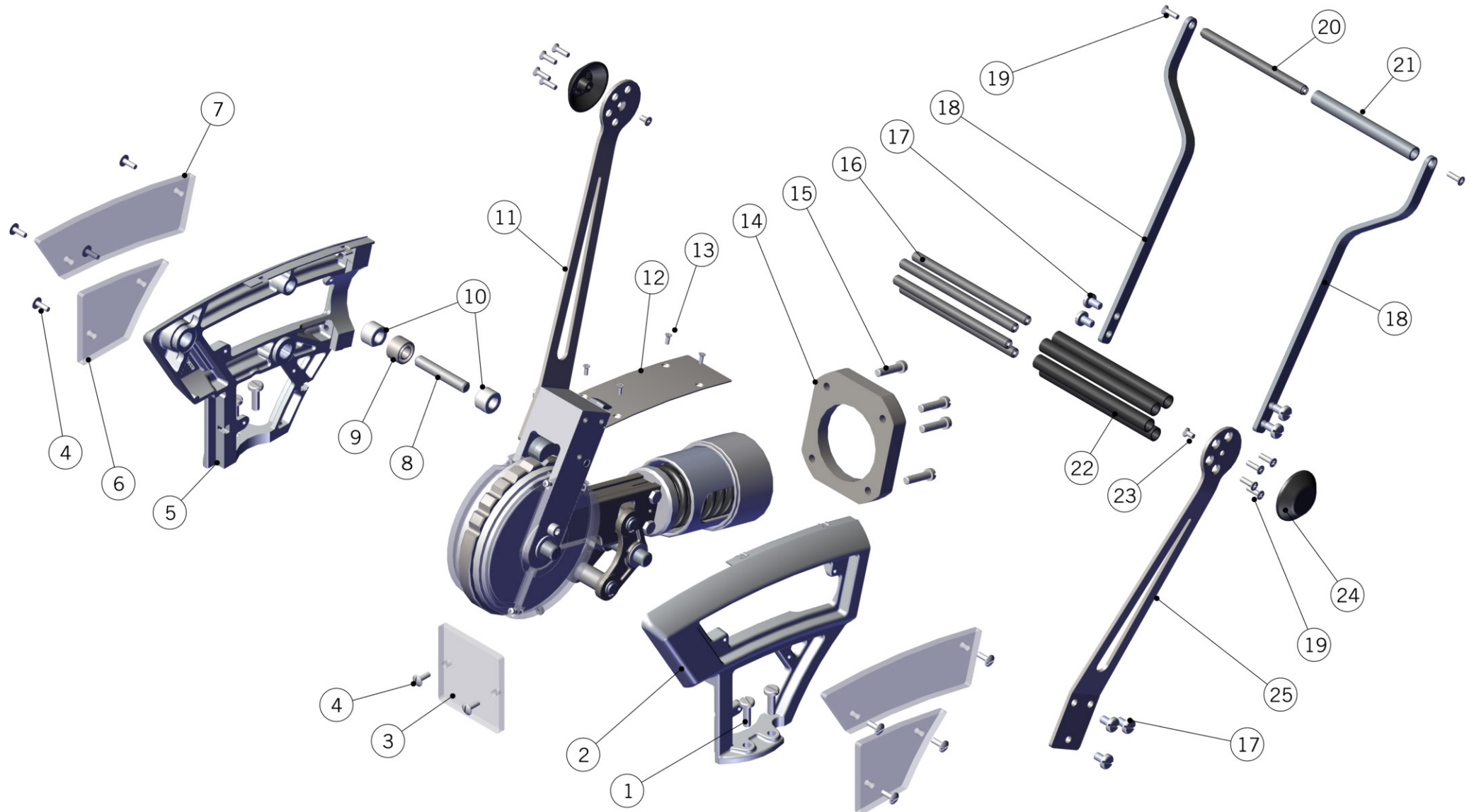
Caldaia Caffè

1	H.3.008	GROUP GASKET LEVER GROUP	GUARNIZIONE SOTTOCOPPA GRUPPO LEVA
2	I.1.024.01	SPRING FOR SHOWER SCREEN W/SLOTS LEVA	MOLLA ESTERNA PER DOCCETTA LEVA
3	A.5.075.01	SHOWER SCREEN W/SLOTS FOR SPRING LEVA	DOCCETTA CON MOLLA ESTERNA LEVA
4	A.3.007	BAYONET RING CHROME PLATED LEVER GROUP	ANELLO CROMATO GRUPPO LEVA
5	I.1.060	SCREW M3X6 PHILLIPS COUNTERSUNK S/S A2	VITE M3X6 TS A CROCE INOX A2
6	C.1.176	PROTECTION LOWER LEVER GROUP	PROTEZIONE INFERIORE GRUPPO LEVA
7	C.2.045	PROTECTION FRONT LEVER GROUP	PROTEZIONE ANTERIORE GRUPPO LEVA
8	L110.01	SCREW M8X52 SOCKET CAP S/S A2 70	VITE M8X52 TC A BRUGOLA INOX A2 70
9	DADO3AUTOBL	SELF LOCK NUT M3 H4 WR5,5 GALVANIZED	DADO AUTOBL. M3 H4 CH5,5 ZINCATO
10	E.2.039	MICROSWITCH KIT WITH LUGS	KIT MICROINTERRUTTORE C/CAPICORDA
11	I.1.055	SCREW M3X20 HEX HEAD S/S A2	VITE M3X20 TE INOX A2
12	C.2.046	PROTECTION BACK LEVER GROUP	PROTEZIONE POSTERIORE GRUPPO LEVA
13	I.1.006	SCREW M4X8 PHILLIPS BUTTON HEAD S/S A2	VITE M4X8 TPB A CROCE INOX A2
14	C.1.138	BRACKET SENSOR LEVER GROUP	STAFFA SENSORE GRUPPO LEVA
15	I.1.102	SOCKET GRUB SCREW M3X6 S/S	GRANO M3X6 A BRUGOLA INOX
16	E.5.004	SAFETY THERMOSTAT COFFEE B. 125°C	TERMOSTATO DI SICUREZZA C. CAFFE' 125°C
17	E.1.045	TEMPERATURE PROBE RING PT1000	SONDA DI TEMPERATURA OCCHIELLO PT1000
18	E.6.022	HEATING CARTRIDGE W70 V220 CABLE D6,5	RES. A CARTUCCIA W70 V220 D6,5
19	F.1.110	CAP FOR SOCKET HEAD SCREW M	CAPPUCCIO PER VITE A BRUGOLA M8
20	I.1.024	SPRING DWIRE 1,2 DIFFUSER SCREEN BLOCK	MOLLA DFIL0 1,2 FERMA DOCCETTA LEVA
21	A.5.075	DIFFUSER SCREEN LEVER GROUP	DOCCETTA GRUPPO LEVA
22	I.1.148	SPRING SHOWER SCREEN LEVA W/PINS	MOLLA ESTERNA DOCCETTA LEVA C/GANCI
Item	Part number/Codice	Description	Descrizione



la marzocco
handmade in florence

COFFEE BOILER





la marzocco

handmade in florence

COFFEE BOILER

Caldaia Caffè

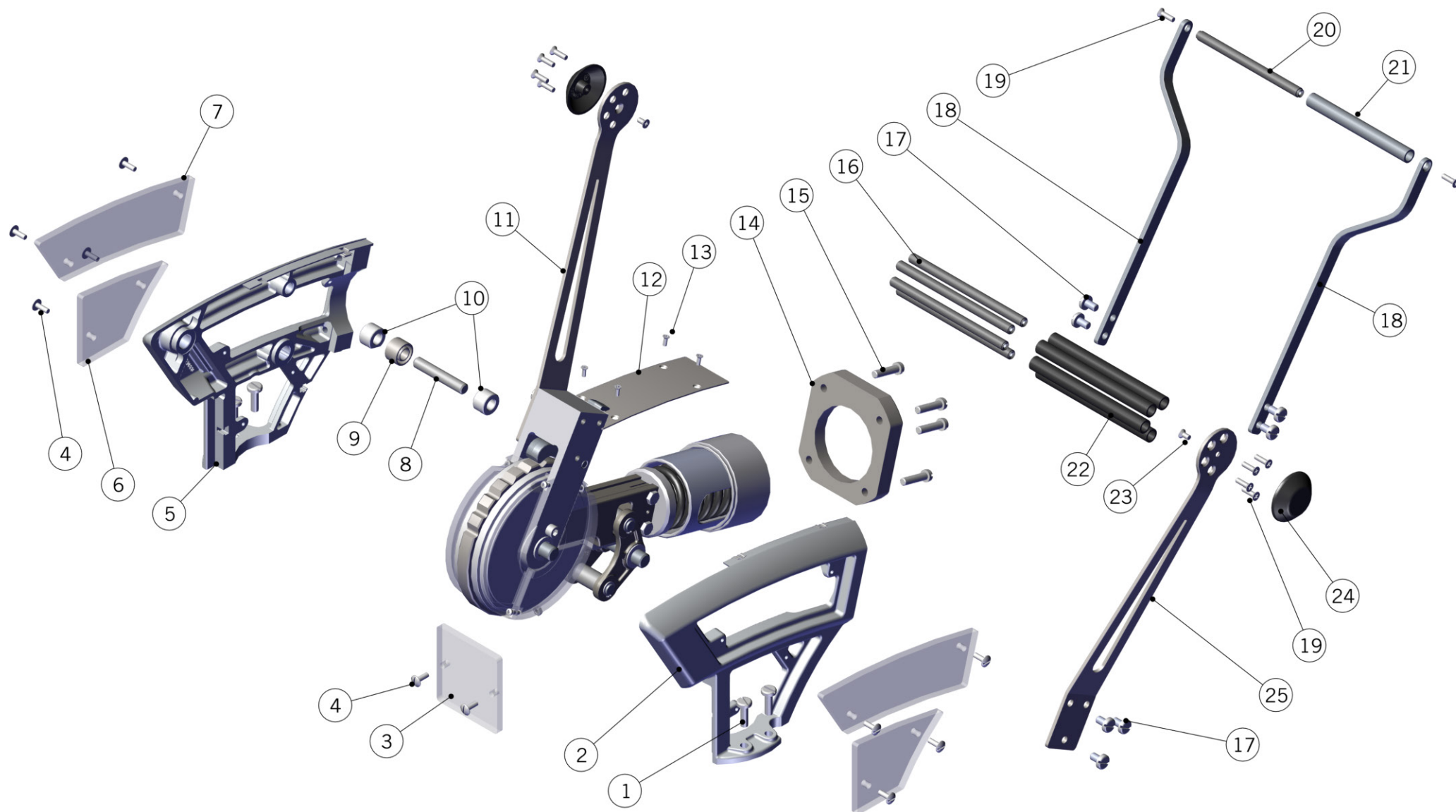
1	I.1.096	SCREW M6X20 PAN S/S	VITE M6X20 TCB A TAGLIO INOX
2	C.3.018.DX	PANEL RIGHT SIDE LEVER GROUP	FIANCATA DX GRUPPO LEVA
	C.3.018.DX.90	PANEL RIGHT SIDE LEVER GROUP 90°	FIANCATA DX GRUPPO LEVA 90°
3	C.5.013	PANEL FRONT LEVER GROUP	PANNELLO ANTERIORE GRUPPO LEVA
4	I.1.099	SCREW M4X10 MUSHROOM SLOTTED HEAD S/S	VITE M4X10 TPB A TAGLIO INOX
5	C.3.018.SX	PANEL LEFT SIDE LEVER GROUP	FIANCATA SX GRUPPO LEVA
	C.3.018.SX.90	PANEL LEFT SIDE LEVER GROUP 90°	FIANCATA SX GRUPPO LEVA 90°
6	C.5.014	PANEL LOWER LEVER GROUP	PANNELLO INFERIORE GRUPPO LEVA
7	C.5.015	PANEL UPPER LEVER GROUP	PANNELLO SUPERIORE GRUPPO LEVA
8	F.3.084	STUD NEEDLE BEARING	PERNO CUSCINETTO A RULLINI
9	F.3.085	NEEDLE BEARING 9X19X12	CUSCINETTO A RULLINI 9X19X12
10	I.6.007	SPACER 9X18X11,5 PLASTIC	DISTANZIALE 9X18X11,5 PLASTICA
11	C.1.293.SX	PANEL SIDE PRIMARY LEVER	FIANCATA SINISTRA LEVA PRINCIPALE
	C.1.293.SX.90	PANEL SIDE PRIMARY LEVER 90°	FIANCATA SINISTRA LEVA PRINCIPALE 90°
12	C.1.273	PANEL UPPER LEVER GROUP	PANNELLO SUPERIORE GRUPPO LEVA
13	I.1.060	SCREW M3X6 PHILLIPS COUNTERSUNK S/S A2	VITE M3X6 TS A CROCE INOX A2
14	C.1.229	CLOSING BACK SIDE PANELS LEVER GROUP	CHIUSURA POSTERIORE FIANCATE GRUPPO LEVA
	C.1.229.90	CLOSING BACK SIDE PANELS LEVER GROUP 90°	CHIUSURA POST. FIANCATE GRUPPO LEVA 90°
15	I.1.098	SCREW M6X25 CHEESE S/S	VITE M6X25 TC A TAGLIO INOX
Item	Part number/Codice	Description	Descrizione



la marzocco

handmade in florence

COFFEE BOILER





la marzocco

handmade in florence

COFFEE BOILER

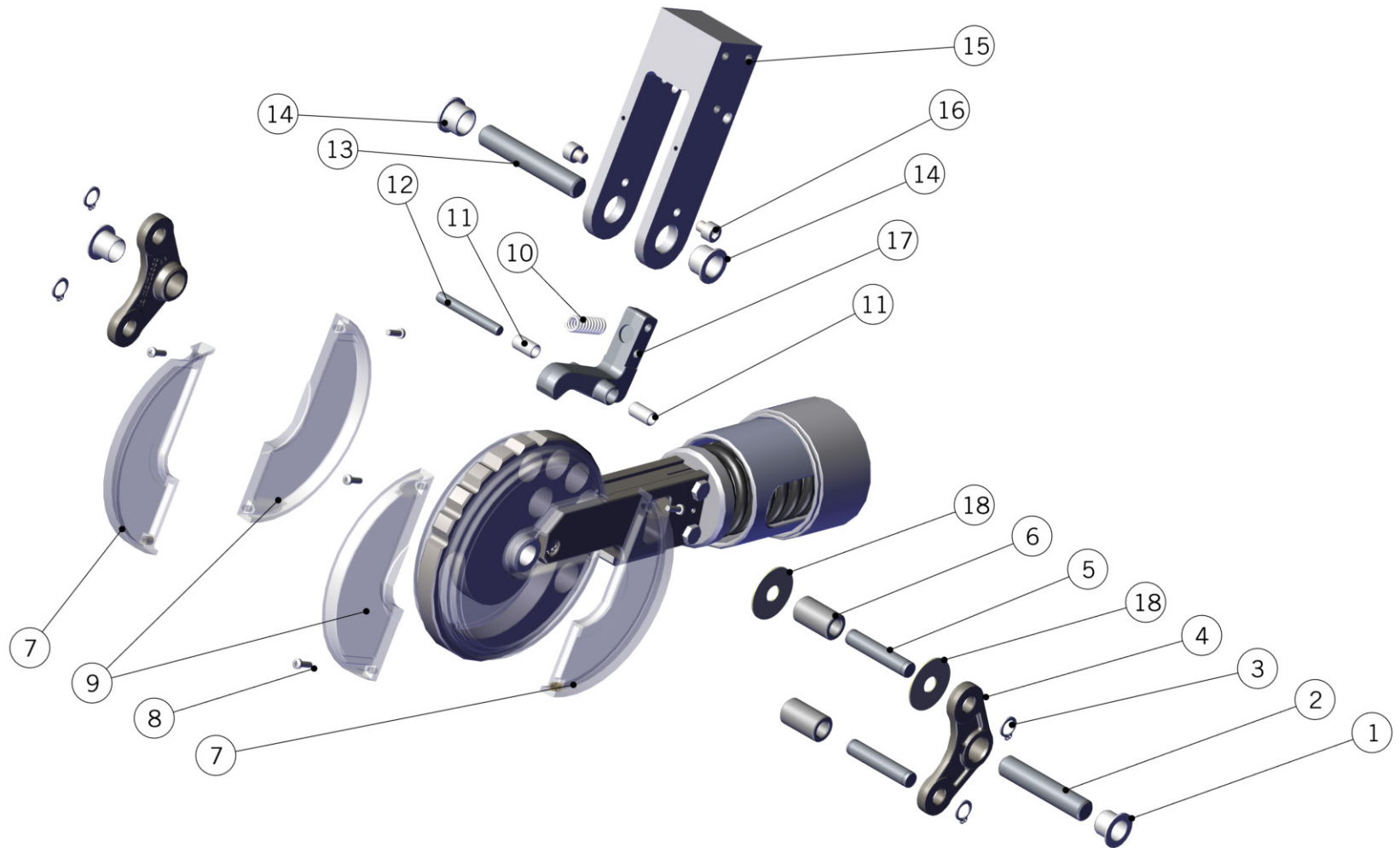
Caldaia Caffè

16	F.6.007	TIE ROD PRIMARY GRIP	TIRANTE IMPUGNATURA PRINCIPALE
17	I.1.097	SCREW M6X10 PAN S/S	VITE M6X10 TCB A TAGLIO INOX
18	C.1.294	PANEL SIDE SECONDARY LEVER	FIANCATA LEVA SECONDARIA
	C.1.294.90	PANEL SIDE SECONDARY LEVER 90°	FIANCATA LEVA SECONDARIA 90°
19	I.1.093	SCREW M4X14 PHILLIPS COUNTERSUNK S/S A2	VITE M4X14 TS A CROCE INOX A2
20	F.6.008	TIE ROD SECONDARY GRIP	TIRANTE IMPUGNATURA SECONDARIA
21	C.1.355.90	GRIP SECONDARY LEVER 90° TREATED	IMPUGNATURA LEVA SECONDARIA 90° TRATT.
	C.2.039	GRIP SECONDARY LEVER	IMPUGNATURA LEVA SECONDARIA
22	C.1.353.90	GRIP PRIMARY LEVER 90° TREATED	IMPUGNATURA LEVA PRINCIPALE 90° TRATT.
	C.2.038	GRIP PRIMARY LEVER	IMPUGNATURA LEVA PRINCIPALE
23	I.1.057	SCREW M4X8 PHILLIPS COUNTERSUNK S/S A2	VITE M4X8 TS A CROCE INOX A2
24	F.1.096	THREADED CAP M4 LEVER	CAPPUCCIO A VITE M4 LEVA
	F.3.068.90	THREADED CAP M4 LEVER 90° TREATED	CAPPUCCIO A VITE M4 LEVA 90° TRATT.
25	C.1.293.DX	PANEL SIDE PRIMARY LEVER	FIANCATA DESTRA LEVA PRINCIPALE
	C.1.293.DX.90	PANEL SIDE PRIMARY LEVER 90°	FIANCATA DESTRA LEVA PRINCIPALE 90°
Item	Part number/Codice	Description	Descrizione



la marzocco
handmade in florence

COFFEE BOILER





la marzocco

handmade in florence

COFFEE BOILER

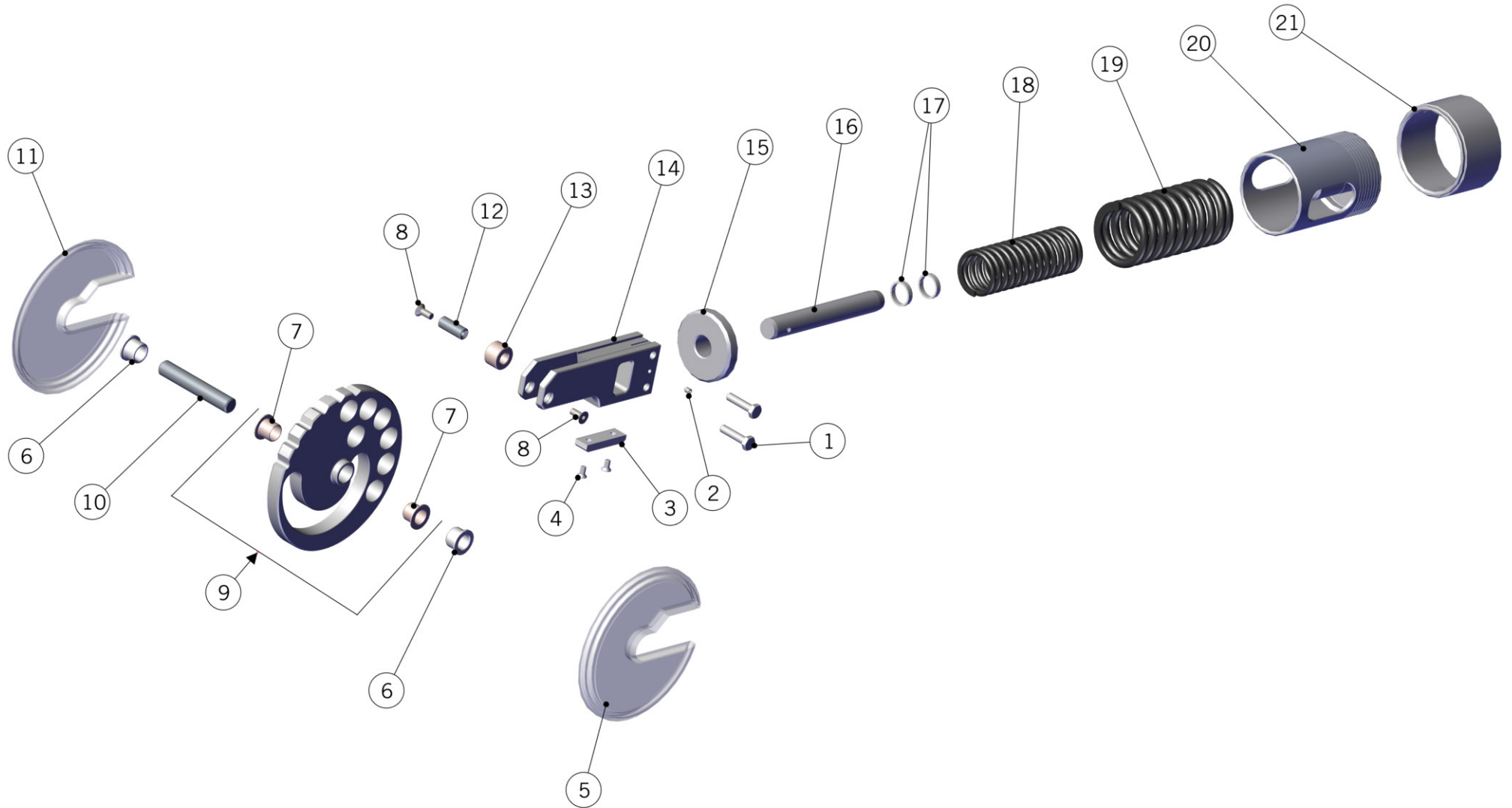
Caldaia Caffè

1	F.1.085	BUSHING FLANGED 12X14X12	BOCCOLA FLANGIATA 12X14X12
2	F.3.082	ROCKER SHAFT	ALBERO BILANCIERE
3	I.1.103	SEEGER SHAFT UNI 7435 D9 S/S	SEEGER ALBERO UNI 7435 D9 INOX
4	F.8.009	ROCKER ARM LEVER GROUP	BILANCIERE GRUPPO LEVA
5	F.3.083	STUD ROCKER ARM LEVER GROUP	PERNO BILANCIERE GRUPPO LEVA
6	F.1.088	BUSHING 9X15X25 LEVER GROUP	BOCCOLA 9X15X25 GRUPPO LEVA
7	C.2.044	PROTECTION THREADED ROTATING LEVER GROUP	PROTEZIONE ROTANTE FILETTATO GRUPPO LEVA
8	VITE3X10	SCREW M3X10 PHILLIPS ROUND-PAN S/S A2	VITE M3X10 TCB A CROCE INOX A2
9	C.2.042	PROTECTION ROTATING LEVER GROUP	PROTEZIONE ROTANTE GRUPPO LEVA
10	I.3.014	SPRING COMPRESSION 1,7X9X26 GALVANIZED	MOLLA A COMPRESSIONE 1,7X9X26 ZINCATA
11	F.1.083	BUSHING 6X8X13,8	BOCCOLA 6X8X13,8
12	F.3.088	STUD TRIGGER LEVER GROUP	PERNO GRILLETTO GRUPPO LEVA
13	F.3.087	CAM SHAFT	ALBERO CAMMA
14	F.1.076	BUSHING FLANGED 12X16X11,5	BOCCOLA FLANGIATA 12X16X11,5
15	C.3.014.01	FORK LEVER HANDLE	FORCELLA IMPUGNATURA LEVA
16	I.1.105	SCREW M6X6 SOCKET CAP S/S	VITE M6X6 TC A BRUGOLA INOX
17	F.3.062	TRIGGER LEVER GROUP	GRILLETTO GRUPPO LEVA
	F.3.062.90	TRIGGER LEVER GROUP 90°	GRILLETTO GRUPPO LEVA 90°
18	F.1.101	SPACER 9X30X1 PLASTIC	DISTANZIALE 9X30X1 PLASTICA
Item	Part number/Codice	Description	Descrizione



la marzocco
handmade in florence

COFFEE BOILER





la marzocco

handmade in florence

COFFEE BOILER

Caldaia Caffè

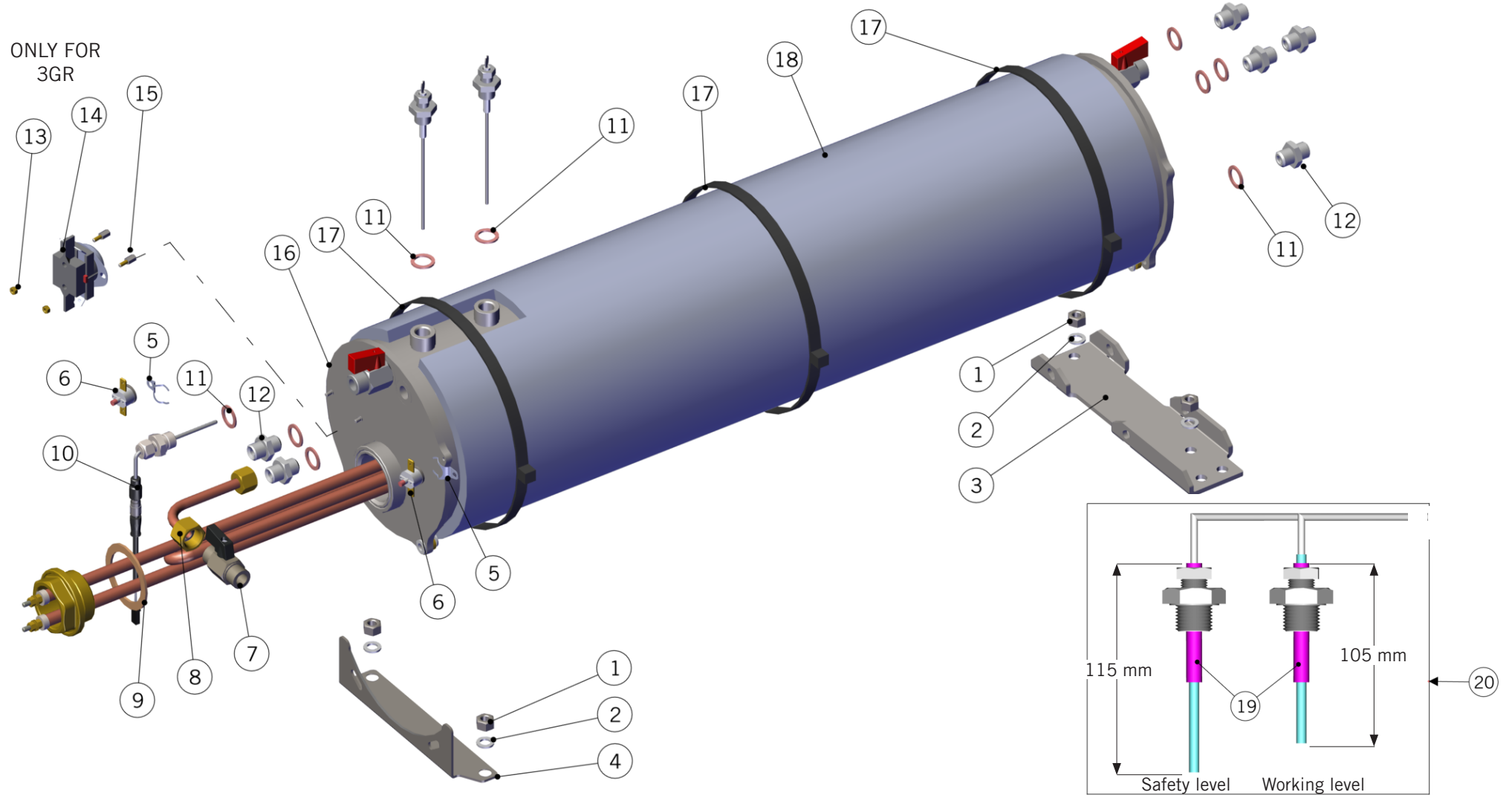
1	I.1.058	SCREW M6X20 HEX HEAD S/S	VITE M6X20 TE INOX
2	I.1.101	SOCKET GRUB SCREW M4X6 S/S	GRANO M4X6 A BRUGOLA INOX
3	F.1.087	THICKNESS MECHANICAL FORK SPRING	SPESSORE FORCELLA MOLLA GRUPPO LEVA
4	I.1.057	SCREW M4X8 PHILLIPS COUNTERSUNK S/S A2	VITE M4X8 TS A CROCE INOX A2
5	C.2.043.DX	PROTECTION RIGHT FIX LEVER GROUP	PROTEZIONE FISSA DX GRUPPO LEVA
6	F.1.076	BUSHING FLANGED 12X16X11,5	BOCCOLA FLANGIATA 12X16X11,5
7	F.1.085	BUSHING FLANGED 12X14X12	BOCCOLA FLANGIATA 12X14X12
8	I.1.044	SCREW M5X12 SOCKET COUNTERSUNK S/S A2	VITE M5X12 TS A BRUGOLA INOX A2
9	F.3.093.R	CAM LEVER GROUP W/BUSHINGS AND POSITION INDICATOR	CAMMA GRUPPO LEVA C/ BOCCOLE E SCALA GRADUATA
10	F.3.087	CAM SHAFT	ALBERO CAMMA
11	C.2.043.SX	PROTECTION LEFT FIX LEVER GROUP	PROTEZIONE FISSA SX GRUPPO LEVA
12	F.3.086	STUD ROLLER BUSHING LEVER GROUP	PERNO ROTELLA GRUPPO LEVA
13	F.1.086	ROLLER CAM LEVER GROUP	ROTELLA CAMMA GRUPPO LEVA
14	F.8.008	MECHANICAL FORK LEVER GROUP	FORCELLA MOLLA GRUPPO LEVA
15	F.6.011	SLOT FRONT SPRING LEVER GROUP	ALLOGGIO ANTERIORE MOLLA GRUPPO LEVA
16	C.1.272	SPRING ROD LEVER GROUP	STELO MOLLA GRUPPO LEVA
17	A.7.007	ROD GUIDE RING	ANELLO DI GUIDA STELO
18	I.1.031	SPRING COMPRESSION 4,4X35,3X26,5	MOLLA A COMPRESSIONE 4,4X35,3X26,5
19	I.1.114	SPRING COMPRESSION 6,5X49,8X128,3	MOLLA A COMPRESSIONE 6,5X49,8X128,3
20	C.3.015	SLOT ADJUSTABLE SPRING LEVER GROUP	ALLOGGIO REGOLABILE MOLLA GRUPPO LEVA
21	C.3.016	BLOCK SLOT ADJUSTABLE SPRING	BLOCCO ALLOGGIO REGOLABILE MOLLA
Item	Part number/Codice	Description	Descrizione



la marzocco

handmade in florence

STEAM BOILER





la marzocco

handmade in florence

STEAM BOILER

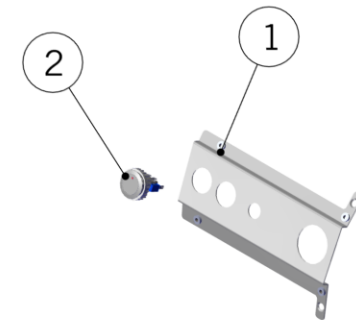
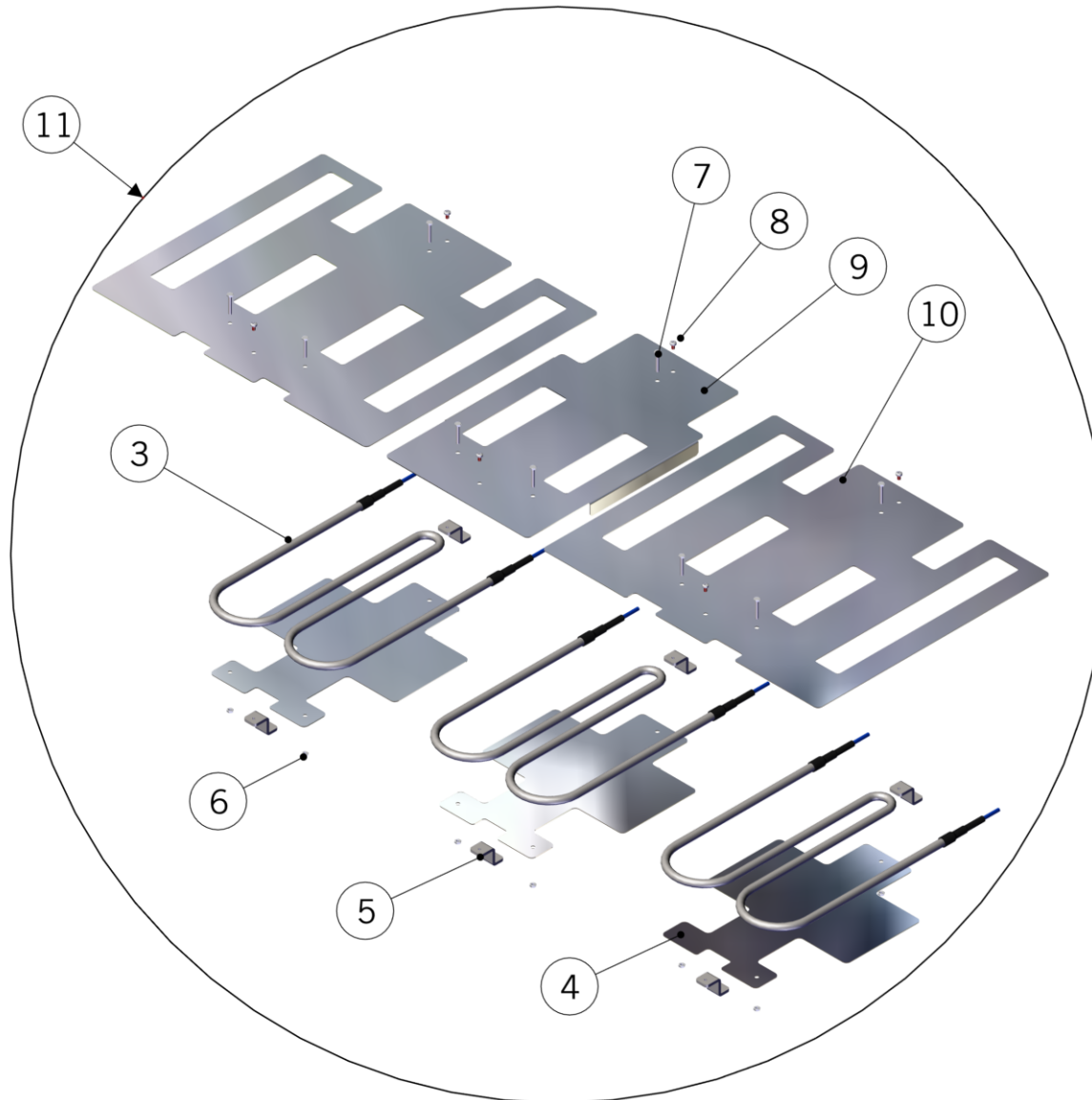
Caldaia Vapore

1	L1002	NUT M8 H8 WR13 S/S A2	DADO M8 H8 CH13 INOX A2
2	L1003	WASHER 8,5X14X1,5 S/S A2	RONDELLA 8,5X14X1,5 INOX A2
3	C.1.290	BRACKET STEAM BOILER LEVA	STAFFA CALDAIA VAPORE LEVA
4	C.1.071	BRACKET LEFT STEAM BOILER STRADA	STAFFA SX C.VAPORE STRADA
5	L276.01S	L276.01 BRACKET	STAFFA SINGOLA A CLIP X L276.01
6	L276.01	SAFETY THERMOSTAT 1P TRIP FREE 130C 250V	TERMOSTATO UNIPOL. TRIP FREE 130C 250V
7	L164/MM.02	BALL VALVE G3/8M-G3/8M BRASS TREATED	RUBINETTO A SFERA G3/8M-G3/8M OTTONE TR.
8	T.1.123	DRAIN TUBE STEAM BOILER STRADA	TUBO SCARICO CALDAIA VAPORE STRADA
9	LR360	1-1/4 HEATER ELEMENT GASKET	GUARNIZIONE PIANA DM.55X42X2
10	E.1.005	PT1000 TEMPERATURE PROBE	SONDA DI TEMPERATURA PT1000
11	L100/1A	WASHER 13,5X19X1,5 COPPER	RONDELLA 13,5X19X1,5 RAME
12	L037/3.01	NIPPLE G1/4M-G1/4M WR19 H25.5 BRASS TR.	NIPPLO G1/4M-G1/4M CH19 H25.5 OT. TR.
13	DADO3M	NUT M3 H3 WR5,5 BRASS	DADO M3 H3 CH5,5 OTTONE
14	E.5.005	SAFETY THERMOSTAT 2P TRIP FREE 130C 600V	TERMOSTATO BIPOL. TRIP FREE 130C 600V
15	I.2.006	SPACER M3X8-M3X5 WR5 BRASS TREATED	DISTANZIALE M3X8-M3X5 CH5 OTTONE TR.
16	L.1.003.2.R	STEAM BOILER FLAT SIDE 2GR	CALDAIA VAPORE FOND. PIATTI 2GR
	L.1.003.3.R	STEAM BOILER FLAT SIDE 3GR	CALDAIA VAPORE FOND. PIATTI 3GR
17	A.5.016.01	PLASTIC FASTENER 750X7.5	FASCETTA NERA 750x7.5 NYLON
18	F.7.002.01	INSULATION PANEL 2GR STRADA STEAM B.	ISOLANTE C. VAPORE STRADA 2GR
	F.7.003.01	INSULATION PANEL 3GR STRADA STEAM B.	ISOLANTE C. VAPORE STRADA 3GR
19	LA052/1	TEFLON INSULATOR PROBE	ISOLATORE IN TEFLON X SONDA
20	LA052	WATER LEVEL PROBE	SONDA LIVELLO TL10/B 140MM.
Item	Part number/Codice	Description	Descrizione



la marzocco
handmade in florence

CUPWARMER HEATING ELEMENTS





la marzocco

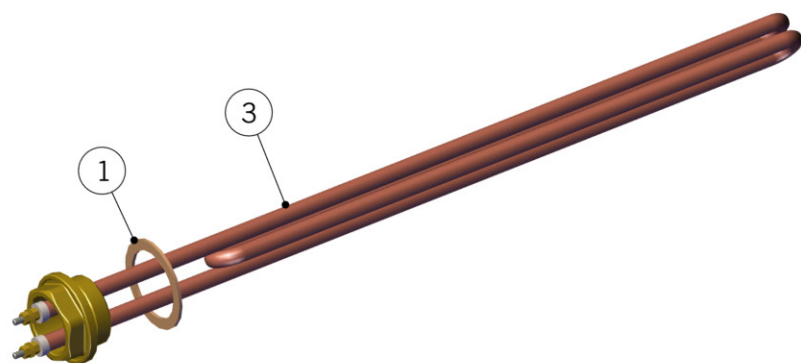
handmade in florence

CUPWARMER HEATING ELEMENTS

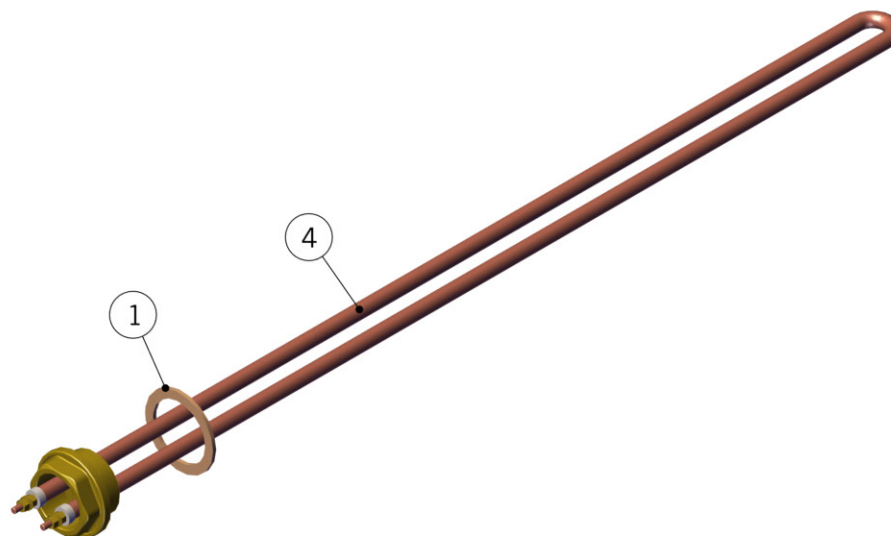
Scaldatazze

1	C.1.351.2.DX	PANEL RIGHT CONTROL LEVA 2GR W/CUPWARMER	PANN. DI COMANDO DX LEVA 2GR C/SCALD	
	C.1.351.3.DX	PANEL RIGHT CONTROL LEVA 3GR W/CUPWARMER	PANNELLO DI COMANDO DX LEVA 3GR C/SCALD.	
	C.1.351.3.DX.90	PANEL RIGHT CONTROL 3GR W/CUPWARMER 90°	PANN. COMANDO DX LEVA 3GR C/SCALD. 90°	
	2	E.2.052	S/S CUPWARMER SWITCH W/WHITE LED	TASTO SCALDATAZZE LASERATO LED BIANCO
	3	E.6.014	CUPWARMER HEATING ELEMENT 140W 220V	RES. SCALDATAZZE 140W 220V
	4	C.1.282	PLATE SLOT RESISTANCE	PIASTRA ALLOGGIO RESISTENZA
	5	C.1.283	BRACKET HEAT-CONDUCTING PLATE CUPWARMER	STAFFA PIASTRA CONDUTTIVA SCALDATAZZE
	6	DADOINOXM3	NUT M3 H2 WR5,5 S/S A2	DADO M3 H2 CH5,5 INOX A2
	7	I.1.055	SCREW M3X20 HEX HEAD S/S A2	VITE M3X20 TE INOX A2
	8	I.1.054	SCREW M3X5 PHILLIPS ROUND PAN S/S A2	VITE M3X5 TCB A CROCE INOX A2
	9	C.1.286	PLATE CONDUCTIVE CUPWARMER 185MM	PIASTRA CONDUTTIVA SCALDATAZZE 185MM
10	C.1.285	PLATE CONDUCTIVE CUPWARMER	PIASTRA CONDUTTIVA SCALDATAZZE	
11	SA946/2	CUPWARMER MULTI PLATES LEVA 2GR	SCALDATAZZE MULTI PIASTRE LEVA 2GR	
	SA946/3	CUPWARMER MULTI PLATES LEVA 3GR	SCALDATAZZE MULTI PIASTRE LEVA 3GR	
Item	Part number/Codice	Description	Descrizione	

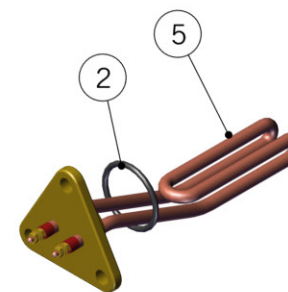
HEATING ELEMENTS



STEAM BOILER
CALDAIA VAPORE



COFFEE BOILER (S VERSION)
CALDAIA CAFFE' (VERSIONE S)



COFFEE BOILER (X and 90 VERSION)
CALDAIA CAFFE' (VERSIONE X e 90)



la marzocco

handmade in florence

HEATING ELEMENTS

Resistenze Elettriche

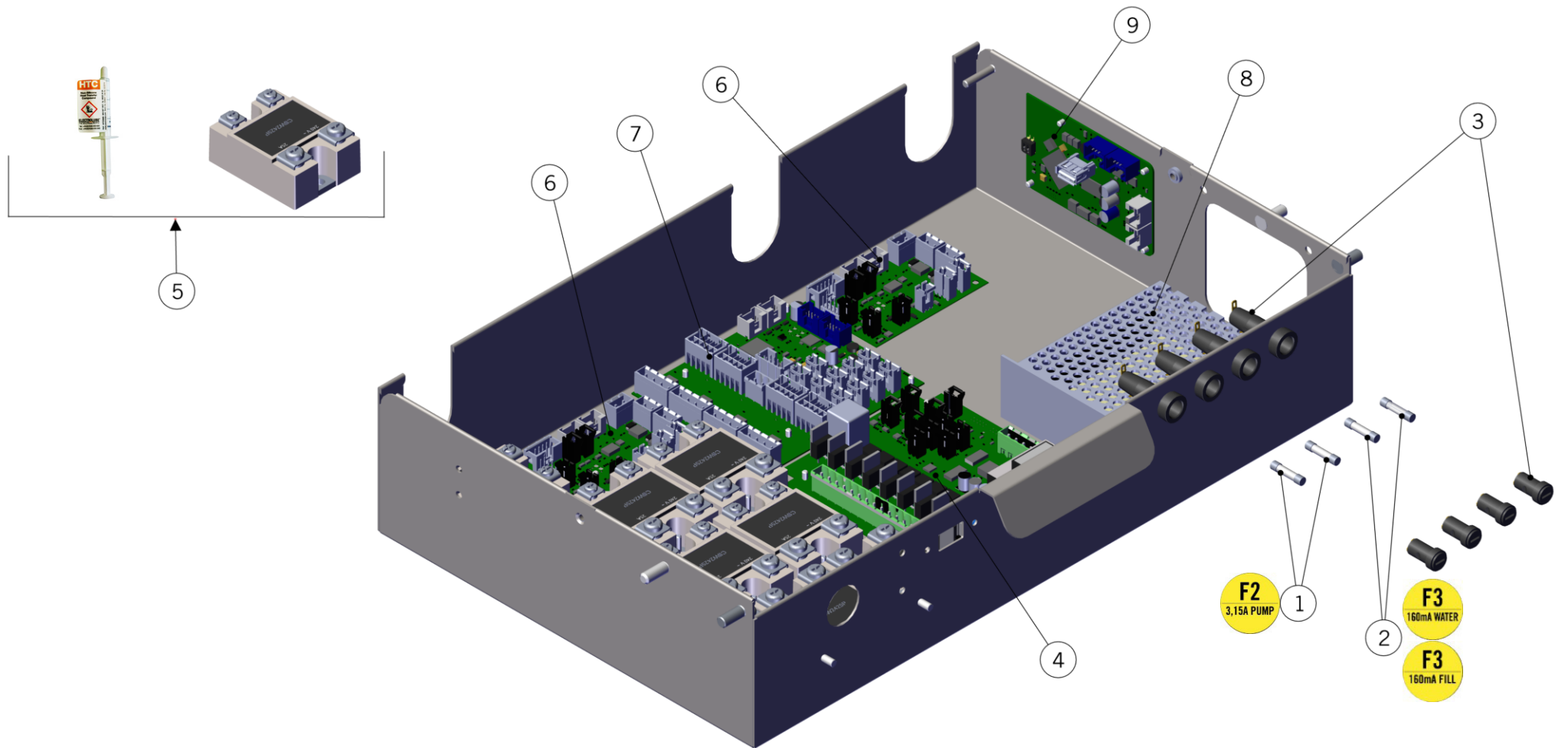
Item	Part number/Codice	Description	Descrizione	
1	LR360	1-1/4 HEATER ELEMENT GASKET	GUARNIZIONE PIANA DM.55X42X2	
2	F.2.014.01	O-RING 3,53X37,69 FKM 70 SH GREEN	O-RING 3,53X37,69 FKM 70 SH VERDE	
2 GROUPS / 2 GRUPPI		STEAM BOILER HEATING ELEMENTS	RESISTENZE PER CALDAIA VAPORE	
	3	LR357/200B.03	HEATING ELEMENT W3000 V200 CM39 1-1/4 RP	RES. EL. W3000 V200 CM39 1-1/4 RP
		LR357/220B.03	HEATING ELEMENT W3000 V220 CM39 1-1/4 RP	RES. EL. W3000 V220 CM39 1-1/4 RP
		LR357/380B.03	HEATING ELEMENT W3000 V380 CM39 1-1/4 RP	RES. EL. W3000 V380 CM39 1-1/4 RP
		E.6.017	HEATING ELEMENT W3000 V240 CM39 1-1/4 RP (AUS)	RES. EL. W3000 V240 CM39 1-1/4 RP (AUS)
	5		COFFEE BOILER HEATING ELEMENTS (X and 90 VERSION)	RESISTENZE PER CALDAIA CAFFE' (VERSIONE X e 90)
		E.6.004.02	HEATING ELEMENT W800 V220 TRIANG.FL. RP	RES. EL. W800 V220 FL. TRIANG. RP
		E.6.006.02	HEATING ELEMENT W500 V200 TRIANG.FL. RP	RES. EL. W500 V200 FL. TRIANG. RP
	4		COFFEE BOILER HEATING ELEMENTS (S VERSION)	RESISTENZE PER CALDAIA CAFFE' (VERSIONE S)
		LR365/200.03	HEATING ELEMENT W1400 V200 CM43 1-1/4 RP	RES. EL. W1400 V200 CM43 1-1/4 RP
		LR365/220.03	HEATING ELEMENT W1400 V220 CM43 1-1/4 RP	RES. EL. W1400 V220 CM43 1-1/4 RP
		LR365/380.03	HEATING ELEMENT W1400 V380 CM43 1-1/4 RP	RES. EL. W1400 V380 CM43 1-1/4 RP
	3 GROUPS / 3 GRUPPI		STEAM BOILER HEATING ELEMENTS	RESISTENZE PER CALDAIA VAPORE
3		E.6.023	HEAT.ELEM W4000 V200 CM50 1-1/4 4POLE TR	RES. EL. W4000 V200 CM50 1-1/4 4 POLI TR
		E.6.009.02	HEAT.ELEM W4000 V220 CM50 1-1/4 4POLE TR	RES. EL. W4000 V220 CM50 1-1/4 4 POLI TR
		E.6.008.02	HEAT.ELEM W4000 V380 CM50 1-1/4 4POLE TR	RES. EL. W4000 V380 CM50 1-1/4 4 POLI TR
5			COFFEE BOILER HEATING ELEMENTS (X and 90 VERSION)	RESISTENZE PER CALDAIA CAFFE' (VERSIONE X e 90)
		E.6.004.02	HEATING ELEMENT W800 V220 TRIANG.FL. RP	RES. EL. W800 V220 FL. TRIANG. RP
		E.6.006.02	HEATING ELEMENT W500 V200 TRIANG.FL. RP	RES. EL. W500 V200 FL. TRIANG. RP
4			COFFEE BOILER HEATING ELEMENTS (S VERSION)	RESISTENZE PER CALDAIA CAFFE' (VERSIONE S)
		LR366/200.03	HEATING ELEMENT W1900 V200 CM66 1-1/4 RP	RES. EL. W1900 V200 CM66 1-1/4 RP
		LR366/220.03	HEATING ELEMENT W1900 V220 CM66 1-1/4 RP	RES. EL. W1900 V220 CM66 1-1/4 RP
	LR366/380.03	HEATING ELEMENT W1900 V380 CM66 1-1/4 RP	RES. EL. W1900 V380 CM66 1-1/4 RP	



la marzocco

handmade in florence

ELECTRICAL SYSTEM





la marzocco

handmade in florence

ELECTRICAL SYSTEM

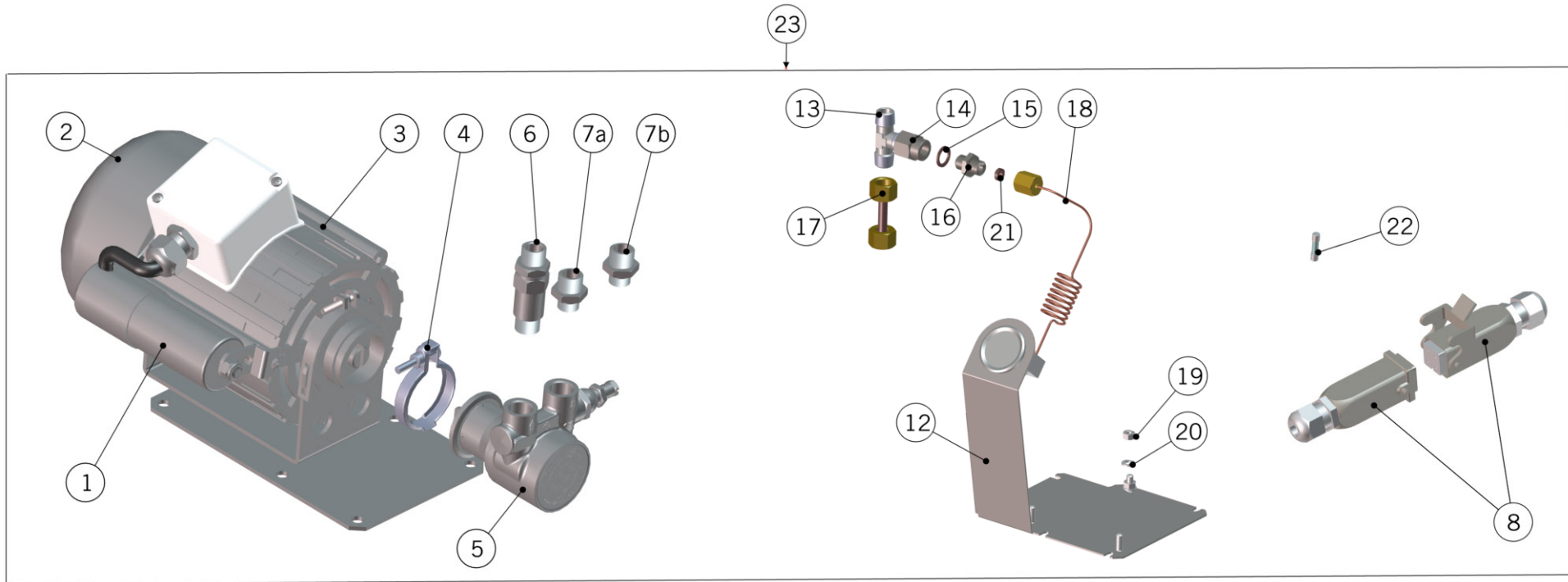
Sactola Elettronica

1	E.2.073	FUSE 3,15 A TIME-DELAY	FUSIBILE 3,15 A RITARDATO
2	E.2.074	FUSE 160 mA FAST-BLOW	FUSIBILE 160 mA RAPIDO
3	E.2.004	UL FUSE HOLDER	PORTAFUSIBILE UL
4	E.1.023.03	UNIVERSAL BOARD	SCHEDA UNIVERSAL
5	E.4.010.01.R	SSR 25A 240V W/THERMAL COMPOUND	RELE' 25A 240V C/PASTA TERMICA
	E.4.029.R	SSR 50A 240V W/THERMAL COMPOUND	RELE' 50A 240V C/PASTA TERMICA
	E.4.035.R	SSR 25A 480V W/THERMAL COMPOUND	RELE' 25A 480V C/PASTA TERMICA
6	E.1.043	STEAM BOARD	SCHEDA VAPORE
7	E.1.044	PROFILE BOARD	SCHEDA PROFILI
8	E.2.007	POWER SUPPLY 24VDC 2,2A LEVA	ALIMENTATORE 24VDC 2,2A LEVA
9	E.1.041	CORTEX BOARD	SCHEDA CORTEX
Item	Part number/Codice	Description	Descrizione



la marzocco
handmade in florence

ELECTRICAL SYSTEM AND PUMP





la marzocco

handmade in florence

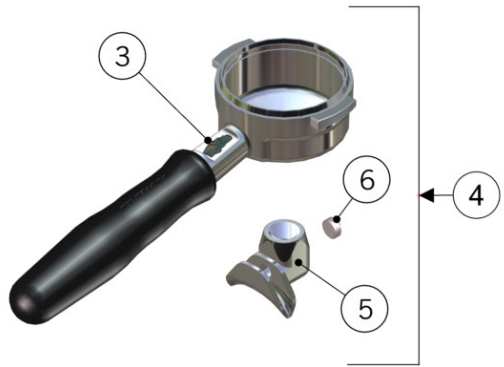
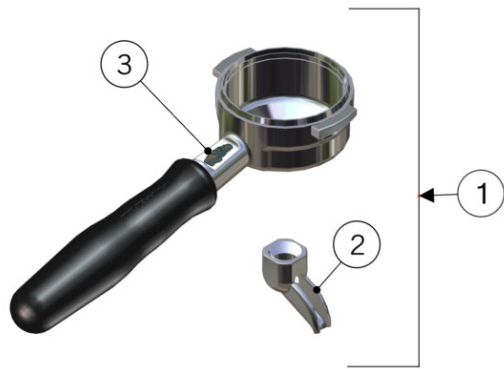
ELECTRICAL SYSTEM AND PUMP

Impianto Elettrico e Pompa

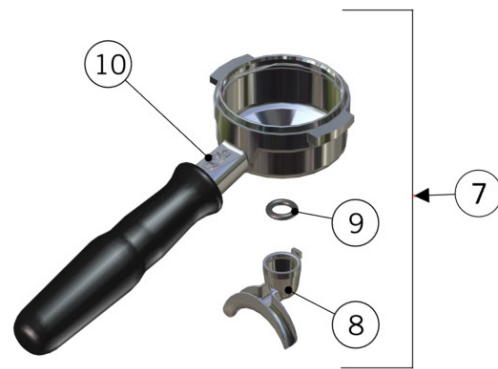
1	L290/CUL	10microF CAPACITOR (L290/8UL MOTOR)	CONDENSATORE 10MF X MOTORE
2	F.6.004	FAN COVER - PUMP MOTOR UL	COPRIVENTOLA ZINCATO X MOTORE L290/8UL
3	L290/5	CE MOTOR V.220-230 Hz.50	MOTORE CARENATO CE V.220-230 Hz.50
	L290/7	MOTOR PUMP 200V 50/60HZ	MOTORE CARENATO V.200 Hz.50/60
	L290/8UL	UL MOTOR V.220-240 50/60 HZ	MOTORE CARENATO CHIUSO
4	L290/C	PUMP CLAMP	FASCETTA PER POMPA
5	L290/1.01	PUMP 150 LT/H	CORPO POMPANTE 150 L/H
	L290/2.01	PUMP 200 LT/H	CORPO POMPANTE 200 L/H
6	L032/P.01	CHECK VALVE G3/8M TREATED	VALVOLA DI RITEGNO G3/8M TRATTATA
7a	L305/N.01	NIPPLE G3/8M-G3/8M WR20 H31 BRASS TR.	NIPPLO G3/8M-G3/8M CH20 H31 OTTONE TR.
7b	L306/G.01	NIPPLE G3/8-3/8 COMPRESSION BRASS TR.	NIPPLO G3/8-3/8 COMPRESSION OTTONE TR.
8	E.4.044	PUMP CABLE W/RAPID WATERPROOF CONNECTOR	CAVO POMPA C/CONNETTORE RAPIDO IP67
9	E.2.040	USB CABLE LINEA PB / STRADA EP	PROLUNGA USB PER LINEA PB / STRADA EP
10	L206	FILTER EMC	FILTRO EMC
11	E.2.030	2x22nF+0,1microF FILTER	FILTRO 2x22nF+0.1microF
12	C.1.329	PUMP PRESSURE GAUGE BRACKET AISI 430	STAFFA MANOMETRO POMPA AISI 430
13	A.2.022.01	TEE FITTING R3/8M WR17 BRASS TREATED	RACCORDO A T R3/8M CH17 OTTONE TRATT.
14	A.2.004.01	FITTING G1/4F-G3/8F WR22 BRASS TREATED	RACCORDO G1/4F-G3/8F CH22 OTTONE TRATT.
15	L100/1A	WASHER 13,5X19X1,5 COPPER	RONDELLA 13,5X19X1,5 RAME
16	L037/3.01	NIPPLE G1/4M-G1/4M WR19 H25.5 BRASS TR.	NIPPLO G1/4M-G1/4M CH19 H25.5 OT. TR.
17	T.1.056	TUBE PUMP DOUBLE CHECK VALVE COREA	TUBO DOPPIA V.RITEGNO POMPA COREA
18	E.3.001.02	PRESSURE GAUGE 0-18 BEIGE W/CAPILLARY	MANOMETRO 0-18 BEIGE C/CAPILLARE
19	I.1.049	NUT M6 H5 WR10 S/S A2	DADO M6 H5 CH10 INOX A2
20	RONDELLA6X12	WASHER 6,4X12X1,5 S/S A2	RONDELLA 6,4X12X1,5 INOX A2
21	L137/3	FERRULE 3,5X11X5 T5	GHIANDINA 3,5X11X5 T5
22	E.2.003	UL FUSE 2A 250V.	FUSIBILE UL 2A 250V.
23	1008	MOTOR PUMP LEVA KIT CE / ETL	KIT POMPA LEVA CE / ETL
	1009	MOTOR PUMP KIT LEVA 220V 50Hz AU/NZ	KIT POMPA LEVA 220V 50Hz AUSTRALIA/NZ
	1010	MOTOR PUMP LEVA 200V 50-60Hz	KIT POMPA LEVA 200V 50-60Hz
Item	Part number/Codice	Description	Descrizione

PORTAFILTER ASSEMBLY

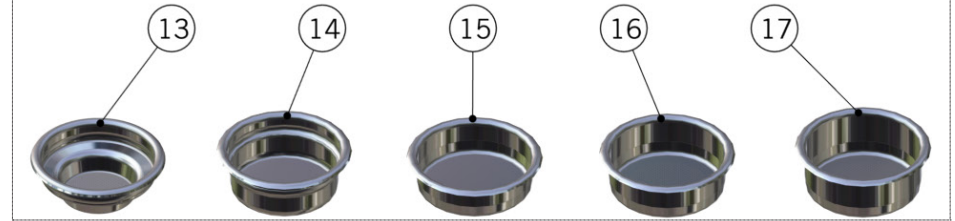
BRASS PORTAFILTERS



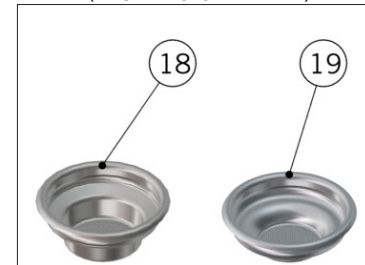
STAINLESS STEEL PORTAFILTERS



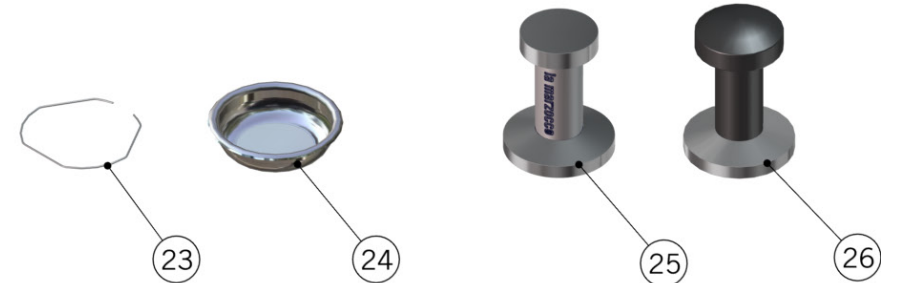
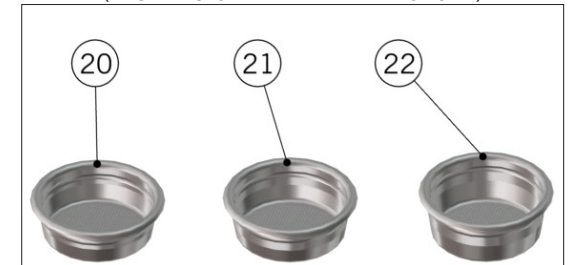
FILTER BASKETS SPECIFICALLY DESIGNED FOR LA MARZOCCO SWIFT GRINDER



X VERSION FILTER BASKETS (TESTED & CERTIFIED)



XR VERSION FILTER BASKETS (TESTED & CERTIFIED + REINFORCED)





la marzocco

handmade in florence

PORTAFILTER ASSEMBLY

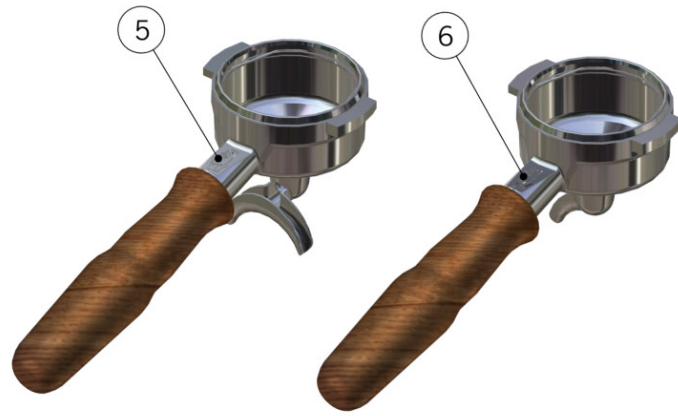
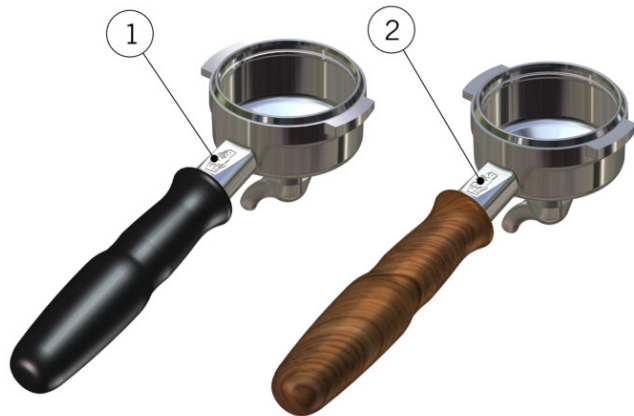
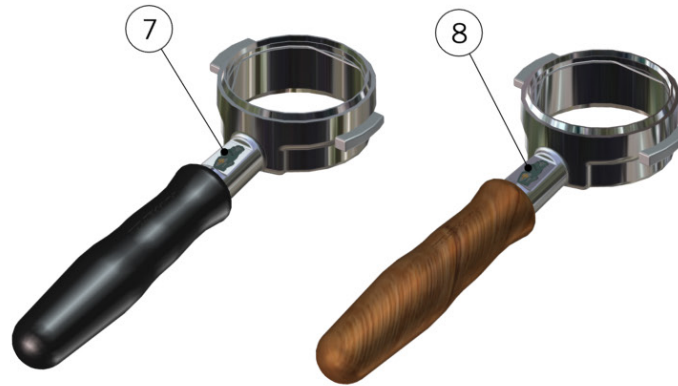
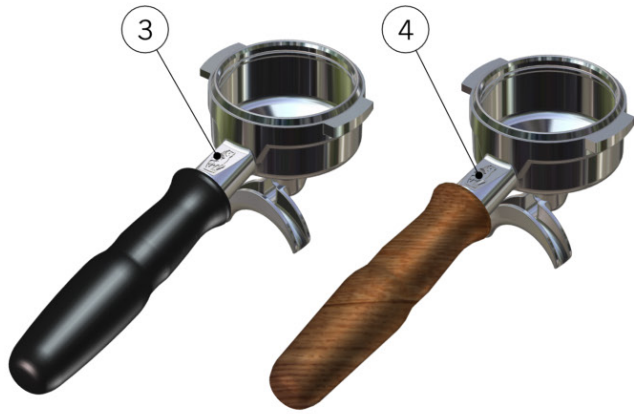
Portafiltri

1	L111/1	PORTAFILTER SINGLE SPOUT BRASS	PORTAFILTRO BECCUCCIO SINGOLO OTTONE
2	L115.01	SPOUT 1 CUP W/TREATMENT FOR SANITATION	BECCUCCIO SINGOLO C/TRATTAMENTO ALIM.
3	L111/LM12.01	CUP PORTAFILTER BRASS WITH HANDLE	COPPA PORTAFILTRO OTTONE CON MANICO
4	L111/2N	PORTAFILTER DOUBLE SPOUT BRASS	PORTAFILTRO BECCUCCIO DOPPIO OTTONE
5	L119.01	SPOUT 2 CUPS W/TREATMENT FOR SANITATION	BECCUCCIO DOPPIO C/TRATTAMENTO ALIM.
6	L119/V	SCREW FOR DOUBLE SPOUT	VITE PER BECCUCCIO A 2 TAZZE
7	L111/2NAC	PORTAFILTER DOUBLE SPOUT	PORTAFILTRO BECCUCCIO DOPPIO
8	A.5.014.01	S/S DOUBLE SPOUT	BECCUCCIO DOPPIO INOX
9	H.1.017	O-RING 3,53X9,12 EPDM 70 ShA	O-RING 3,53X9,12 EPDM 70 ShA
	H.1.017.02	O-RING 9,21x3,37 EPDM FDA	O-RING 9,21x3,37 EPDM FDA
10	L111/SS.R	CUP PORTAFILTER S/S WITH HANDLE	COPPA PORTAFILTRO INOX CON MANICO
11	L111/1AC	PORTAFILTER SINGLE SPOUT	PORTAFILTRO BECCUCCIO SINGOLO
12	A.5.013.01	S/S SINGLE SPOUT	BECCUCCIO SINGOLO INOX
13	L115/A	FILTER 1 CUP	FILTRO A 1 TAZZA
14	L115/A/S	SINGLE FILTER	FILTRO A 1 TAZZA SINGOLO/DOPPIO
15	5.128	19mm SWIFT FILTER BASKET	FILTRO SWIFT 19mm
16	5.127	22mm SWIFT FILTER BASKET	FILTRO SWIFT 22mm
17	5.133	TRIPLE SWIFT FILTER BASKET	FILTRO SWIFT TRIPLO
18	F.3.029.X	FILTER 7 GR X	FILTRO 7 GR X
19	F.3.054.X	FILTER 7 GR X ITALIA	FILTRO 7 GR X ITALIA
20	F.3.078	FILTER 14 GR XR	FILTRO 14 GR XR
21	F.3.077	FILTER 17 GR XR	FILTRO 17 GR XR
22	F.3.076	FILTER 21 GR XR	FILTRO 21 GR XR
23	L113	SPRING D WIRE1,1 S/S FILTER LOCK	MOLLA DFILO1,1 INOX FERMAFILTRO
24	L115/C	BLIND FILTER	FILTRO CIECO X LAVAGGIO
25	F.3.045	S/S-ALUMINUM SINGLE-DOUBLE TAMPER	PRESSINO INOX-ALLUMINIO SINGOLO-DOPPIO
26	F.3.031.01	ANODIZED DOUBLE TAMPER S/S US VERSION	PRESSINO DOPPIO VERSIONE US ANODIZZATO

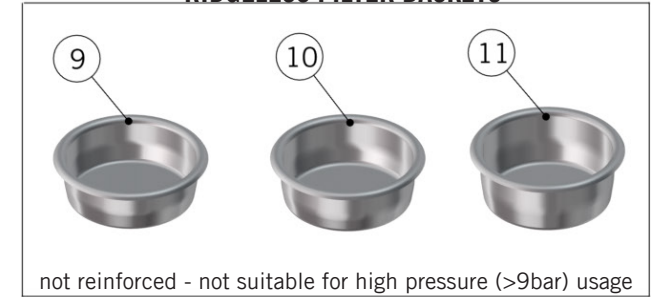
Item	Part number/Codice	Description	Descrizione
------	--------------------	-------------	-------------

PORTAFILTER ASSEMBLY

FIXED SPOUT PORTAFILTERS



RIDGELESS FILTER BASKETS





la marzocco

handmade in florence

PORTAFILTER ASSEMBLY

Portafiltri

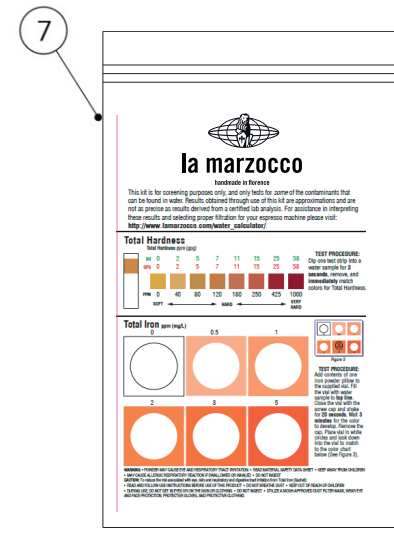
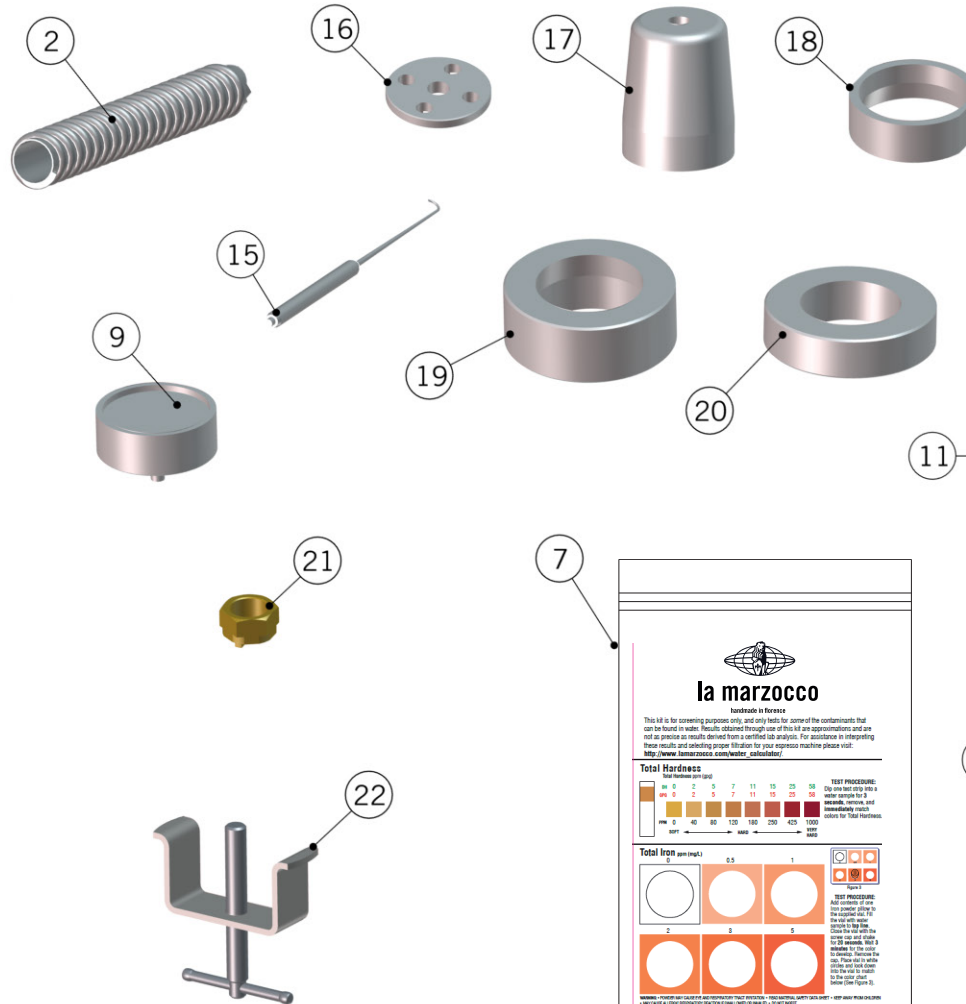
1	A.5.078	PORTAFILTER FIXED SINGLE SPOUT	PORTAFILTRO BECCUCCIO SINGOLO FISSO
2	A.5.126	PORTAFILTER FIXED SINGLE SPOUT MAPLE	PORTAFILTRO BECCUCCIO SINGOLO FISSO ACERO
	A.5.128	PORTAFILTER FIXED SINGLE SPOUT WALNUT	PORTAFILTRO BECCUCCIO SINGOLO FISSO NOCE
3	A.5.079	PORTAFILTER FIXED DOUBLE SPOUT	PORTAFILTRO BECCUCCIO DOPPIO FISSO
4	A.5.127	PORTAFILTER FIXED DOUBLE SPOUT MAPLE	PORTAFILTRO BECCUCCIO DOPPIO FISSO ACERO
	A.5.129	PORTAFILTER FIXED DOUBLE SPOUT WALNUT	PORTAFILTRO BECCUCCIO DOPPIO FISSO NOCE
5	L111/2MW.R	PORTAFILTER DOUBLE SPOUT MAPLE	PORTAFILTRO BECCUCCIO DOPPIO ACERO
	L111/2WW.R	PORTAFILTER DOUBLE SPOUT WALNUT	PORTAFILTRO BECCUCCIO DOPPIO NOCE
6	L111/1MW.R	PORTAFILTER SINGLE SPOUT MAPLE	PORTAFILTRO BECCUCCIO SINGOLO ACERO
	L111/1WW.R	PORTAFILTER SINGLE SPOUT WALNUT	PORTAFILTRO BECCUCCIO SINGOLO NOCE
7	L111/X.01	PORTAFILTER NAKED	PORTAFILTRO NUDO
8	A.5.060	PORTAFILTER NAKED WALNUT	PORTAFILTRO NUDO NOCE
	A.5.061	PORTAFILTER NAKED MAPLE	PORTAFILTRO NUDO ACERO
9	F.3.080	FILTER BASKET 14G S/S RIDGELESS	FILTRO 14G INOX SENZA BORDATURA
10	F.3.079	FILTER BASKET 17G S/S RIDGELESS	FILTRO 17G INOX SENZA BORDATURA
11	F.3.081	FILTER BASKET 21G S/S RIDGELESS	FILTRO 21G INOX SENZA BORDATURA
Item	Part number/Codice	Description	Descrizione



la marzocco

handmade in florence

HOSE AND ACCESSORIES



**la marzocco**

handmade in florence

HOSE AND ACCESSORIES

Tubi e Accessori

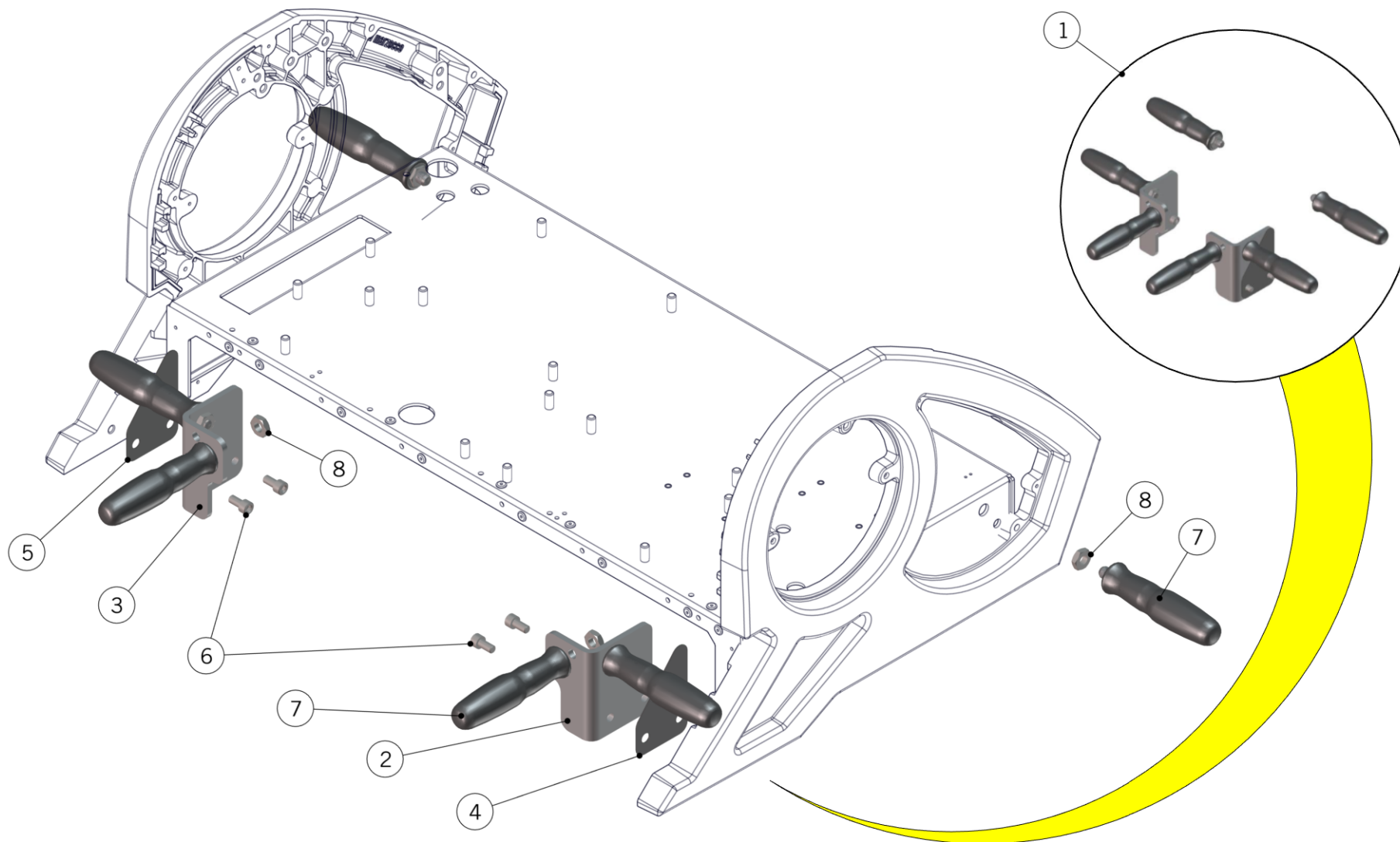
1	L305/050.01	BRAIDED HOSE CM.50 3/8 F	TUBO FLESSIBIL INOX 3/8F CM.50
	L305/120.01	BRAIDED HOSE CM.120 3/8 F	TUBO FLESSIB INOX 3/8F CM.120
	L305/210.01	BRAIDED HOSE CM.210 3/8F	TUBO FLESSIB INOX 3/8F CM.210
	L306/050	BRAIDED HOSE 3/8 COMPR. WR17 50CM NSF	TUBO FLEX 3/8 COMPR. CH17 50CM NSF
	L306/120	BRAIDED HOSE 3/8 COMPR. WR17 120CM NSF	TUBO FLEX 3/8 COMPR. CH17 120CM NSF
	L306/210	BRAIDED HOSE G3/8F WR20 210CM NSF	TUBO FLEX G3/8F CH20 210CM NSF
	L306/210/C	BRAIDED HOSE G3/8F WR20 210CM NSF CURVED	TUBO FLEX G3/8F CH20 210CM NSF C/CURV.
	T.5.003	BRAIDED HOSE 3/8 COMPR. WR17 210CM NSF	TUBO FLEX 3/8 COMPR. CH17 210CM NSF
2	L308	CLEAR ARMoured DRAIN HOSE	TUBO PU AIR SCARICO ACQUA DIA 20
3	L312	HOSE CLAMP	FASCETTA SERRATUBO 16/25 H.8
4	UT011	TOOL EXTRACTOR DIFFUSION SCREEN LEVA	UTENSILE ESTRATTORE DOCCETTA LEVA
5	A.2.022.01	TEE FITTING R3/8M WR17 BRASS TREATED	RACCORDO A T R3/8M CH17 OTTONE TRATT.
6	V067	LA MARZOCCO PURO CAFF POWDER	POLVERE LA MARZOCCO PURO CAFF
7	F.9.000.01	MULTIPLE PARAMETER TEST KIT	KIT PER ANALISI DELL'ACQUA
8	F.9.003	DIGITAL TDS METER	TDS METER DIGITALE
9	UT014	TOOL INSERTING DIFFUSION SCREEN	UTENSILE INSERIMENTO DOCCETTA
10	F.1.065	HTC THERMAL COMPOUND SYRINGE 2ML	SIRINGA GRASSO TERMICO HTC 2ML
11	941	WATER TEST KIT	KIT MISURAZIONE ACQUA
12	H.1.021	OR103 (OR2018) IN EPDM X ALTA TEMP	OR103 (OR2018) IN EPDM X ALTA TEMP
13	T.4.001	ANTISUCTION VALVE SILICONE TUBE	TUBO SILICONE 5X8 V. ANTIRISUCCHIO
14	A.7.009	BARBED HOSE M6 SIPHON DISCHARGE LEVA	PORTAGOMMA M6 SCARICO SIFONE LEVA
15	UT008	GASKET PICK	ESTRATTORE PER GUARNIZIONI
16	UT015	TOOL FOR MONTING PISTON RING	UTENSILE MONTAGGIO ANELLO PISTONE
17	UT016	TOOL CONIC FOR MONTING PISTON SEALS	UTENSILE CONICO MONTAGGIO TENUTE PISTONE
18	UT017	TOOL FOR INSERTING PISTON	UTENSILE INSERIMENTO PISTONE
19	UT018	TOOL FOR MONTING PISTON SEALS TYPE 2	UTENSILE MONTAGGIO TENUTE PISTONE TIPO 2
20	UT019	TOOL FOR MONTING PISTON SEALS TYPE 1	UTENSILE MONTAGGIO TENUTE PISTONE TIPO 1
21	UT021	TOOL CONIC FOR MONTING ROAD SEALS	UTENSILE MONTAGGIO TENUTE STELO
22	UT022	TOOL FOR EXTRACTING PISTON	UTENSILE ESTRAZIONE PISTONE COMPLETO
23	1005	LEVA COMPLETE PARTS KIT	KIT RICAMBI LEVA COMPLETO
Item	Part number/Codice	Description	Descrizione



la marzocco

handmade in florence

HOSE AND ACCESSORIES





la marzocco

handmade in florence

HOSE AND ACCESSORIES

Tubi e Accessori	1	1006	LEVA LIFTING KIT	KIT SOLLEVAMENTO LEVA
	2	C.1.379.DX	BRACKET RIGHT LIFTING LEVA	STAFFA DX SOLLEVAMENTO LEVA
	3	C.1.379.SX	BRACKET LEFT LIFTING LEVA	STAFFA SX SOLLEVAMENTO LEVA
	4	C.2.048.DX	RUBBER RIGHT LIFTING BRACKET LEVA	PROTEZIONE DX STAFFA SOLLEVAMENTO LEVA
	5	C.2.048.SX	RUBBER LEFT LIFTING BRACKET LEVA	PROTEZIONE SX STAFFA SOLLEVAMENTO LEVA
	6	VITE8X16INOX	SCREW M8X16 SOCKET CAP S/S A2	VITE M8X16 TC A BRUGOLA INOX A2
	7	F.2.042	PORTAFILTER HANDLE TPE M12 EXT. SCREW	MANOPOLA PORTAFILTRO TPE M12 ESTERNO
	8	I.1.115	NUT M12 H6 WR S/S A2	DADO M12 H6 CH19 INOX A2
	Item	Part number/Codice	Description	

LA MARZOCCO SRL
Via La Torre, 14/H
Localita' La Torre
50038 Scarperia e San Piero
(Florence) - ITALY
T. +39 055 849 191
F. +39 055 849 1990
info@lamarzocco.com
www.lamarzocco.com