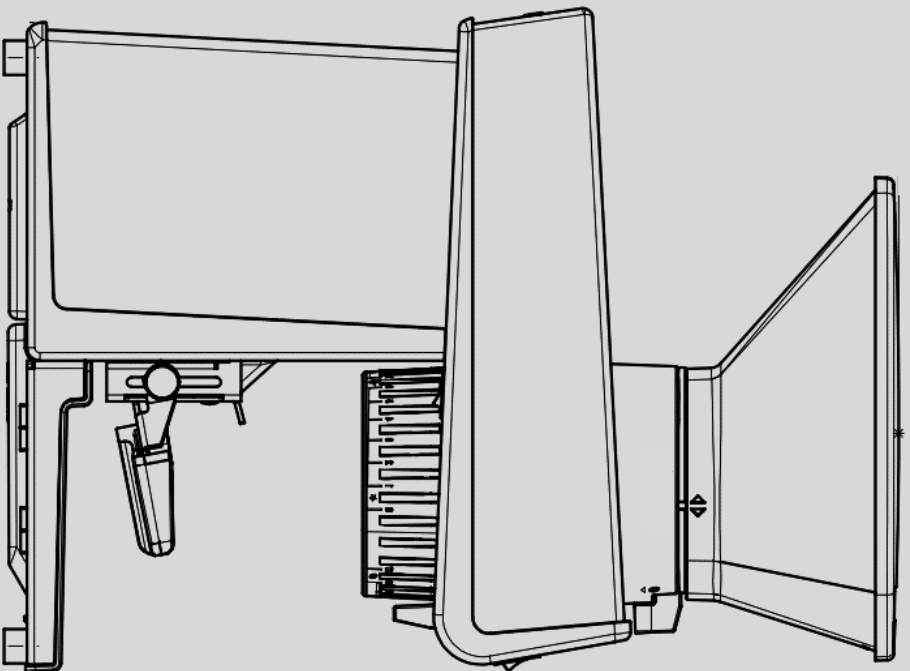


parts catalog

pico



la marzocco
handmade in florence





la marzocco
handmade in florence

INDEX

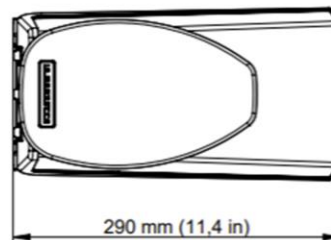
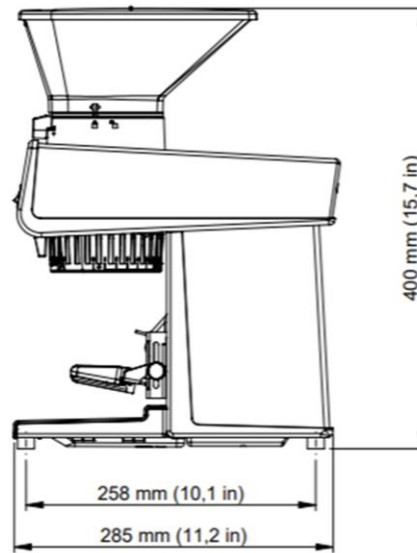
	Pag.	Ver.
Specifications	4	1.0
Body Panel Assembly	6	1.0
Electrical System	8	1.0
Pico Assembly & Motor	10	1.0
Accessories	12	1.0



la marzocco

handmade in florence

SPECIFICATIONS





la marzocco

handmade in florence

SPECIFICATIONS

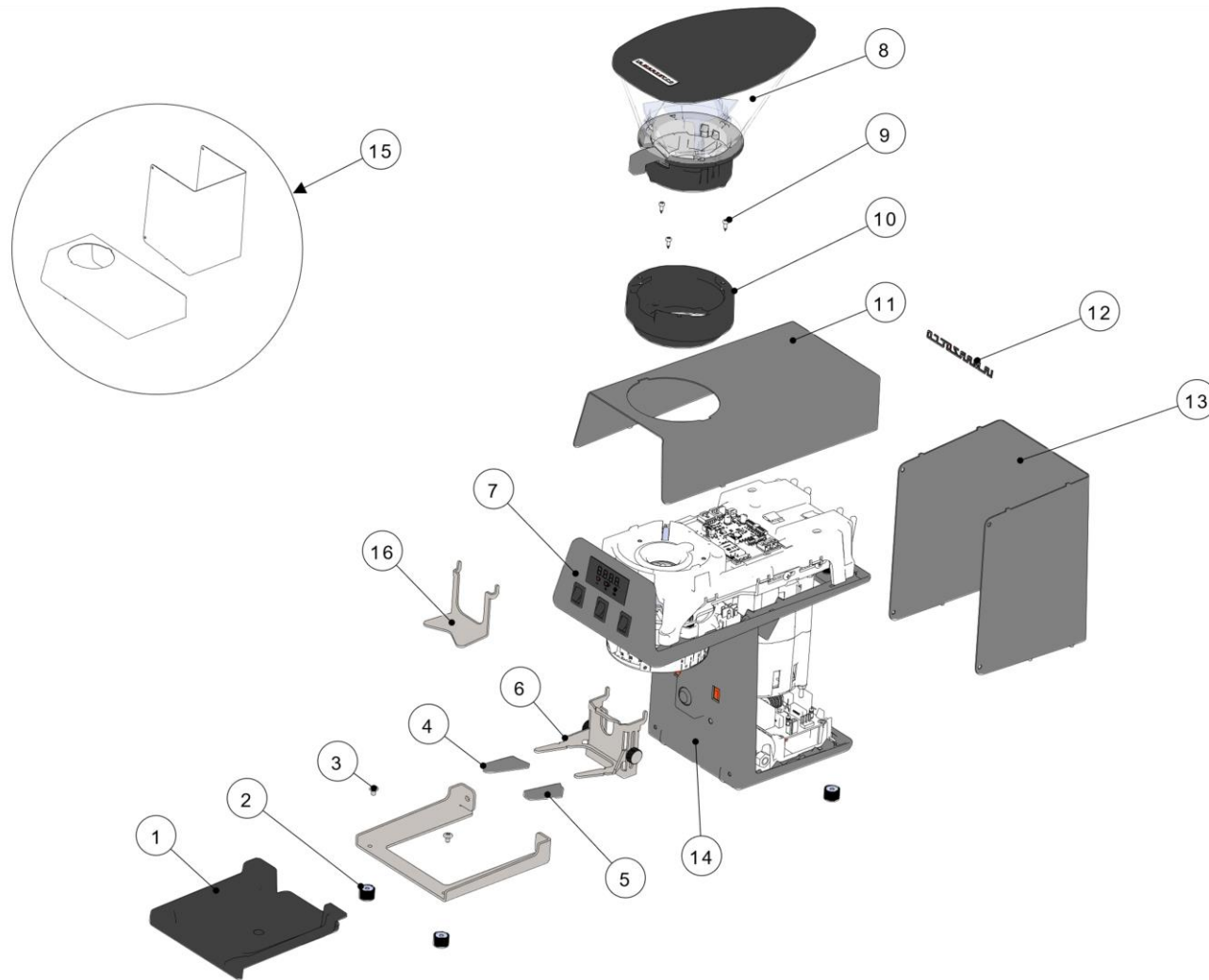
Width (cm/in)	15.5 / 6.1
Depth (cm/in)	29 / 11.4
Height (cm/in)	40 / 15.7
Weight (kg/lbs)	7.8 / 17.2
Voltage (VAC)	110 single phase
Wattage (max)	350
Amps	3
Hopper Capacity (grams/lbs)	300/.66



la marzocco

handmade in florence

BODY PANEL ASSEMBLY





la marzocco

handmade in florence

BODY PANEL ASSEMBLY

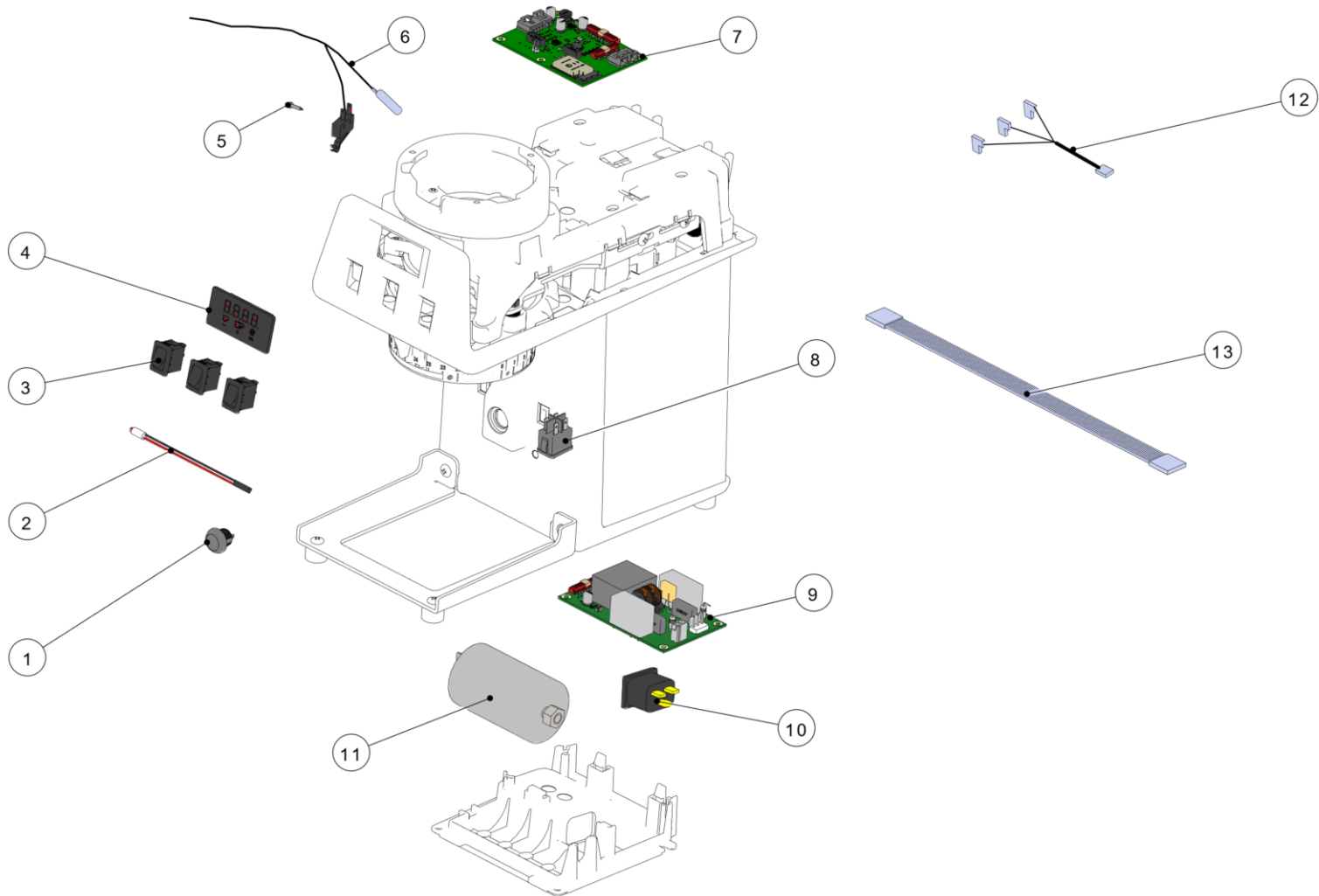
Item	Part number	Description
0001	C.2.076	DRIP TRAY
0002	F.2.078	Ø15 H10 SCREW-ON ANTI-STAIN FOOD WITH M4
0003	I.3.025	SCREW M4x8 SOCKET CUP ROUND-PAN GALV.
0004	F.2.084.SX	FORK PROTECTION SX
0005	F.2.084.DX	FORK PROTECTION DX
0006	1041	HOLDER PORTAFILTER PICO
0007	C.3.036	UPPER CHASSIS
0008	1042	HOPPER COMPLETE PICO
0009	VITEAUT2.9X9.5	SELF TAP. SCREW 2 9X9 5 PHIL.ROUND-PAN
0010	1043	SUPPORT HOPPER PICO
0011	C.1.721.60	SUPERIOR COVER PICO BLACK
0011	C.1.721.62	SUPERIOR COVER PICO WHITE
0012	D.4.051	REDLOGO MICRA
0013	C.1.717.60	LOWER CASE PICO SKY BLACK
0013	C.1.717.62	LOWER CASE PICO SKY WHITE
0014	1044	FRAME BASE PICO
0015	1051.54	PAINTED KIT PICO RED
0015	1051.56	PAINTED KIT PICO YELLOW
0015	1051.63	PAINTED KIT PICO SKY BLUE



la marzocco

handmade in florence

ELECTRICAL SYSTEM





la marzocco

handmade in florence

ELECTRICAL SYSTEM

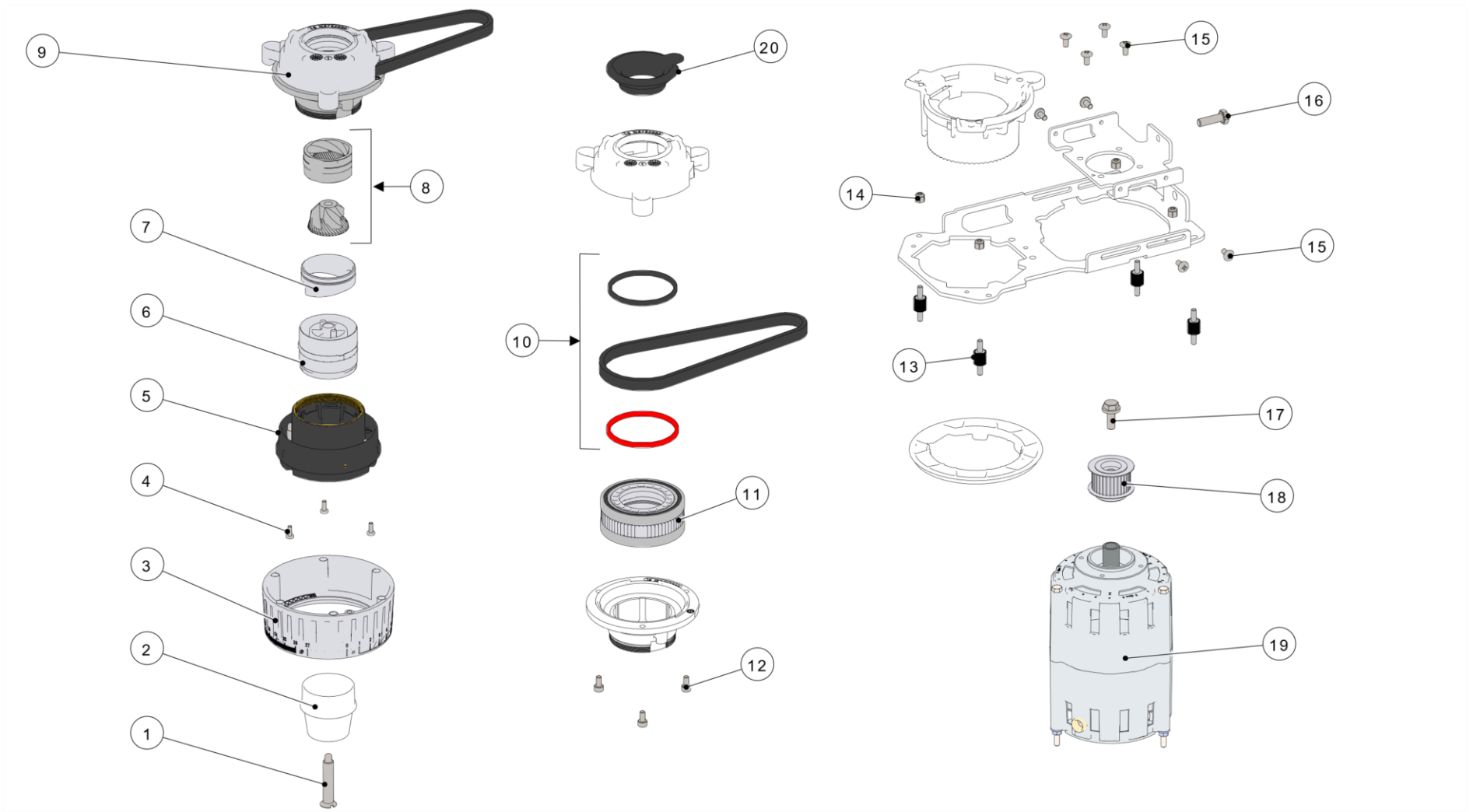
Item	Part number	Description
0001	E.2.129	WIRED ROUND BOTTON
0002	E.4.370	WIRED 12V WHITE LED
0003	E.2.130	ROCKER BUTTON
0004	E.1.087	FULL DISPLAY MG
0005	VITEAUT2.2X9.5	SELF TAP. SCREW 2,2X9,5 PHIL.ROUND-PAN
0006	E.2.131	WIRED MICROSWITCHES MICRO GRINDER
0007	E.1.086	CPU BOARD
0008	E.2.135	BIPOLAR KEY SWITCH R19
0009	E.1.085	MOTOR BOARD MG-EG
0010	E.4.246	PLUG PANEL 10A 250V
0011	E.2.134	CAPACITOR 45mF 250V UL S0
0012	E.4.369	WIRING HARNESS PICO LOW VOLTAGE
0013	E.4.371	ELECTRONIC BOARD CONNECTION FLAT CABLE



la marzocco

handmade in florence

PICO ASSEMBLY & MOTOR





la marzocco

handmade in florence

PICO ASSEMBLY & MOTOR

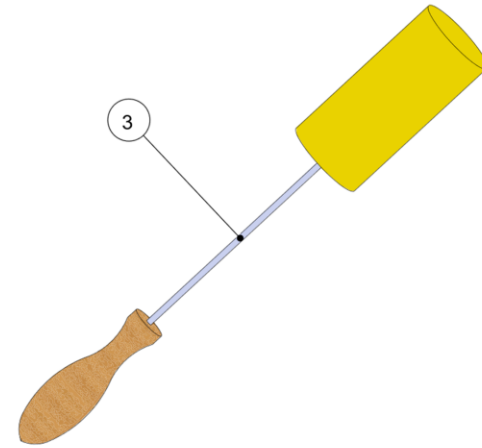
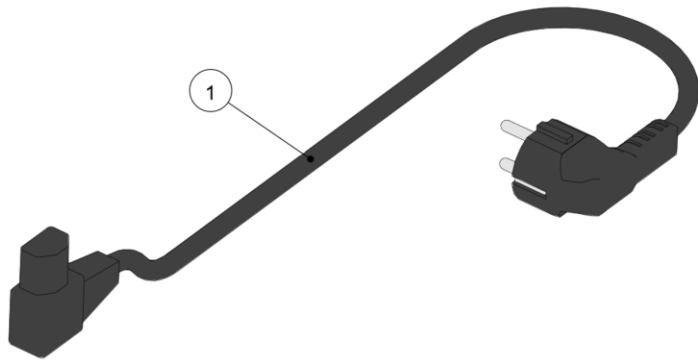
Item	Part number	Description
0001	I.1.207	SCREW M48X40 CHEESE S/S A2
0002	F.1.267	FUNNELL BURR OUTPUT
0003	F.6.026	GRANULOMETRY INDICATION RING PAINTED
0004	I.3.023	SCREW M3X8 PHILL. ROUND-PAN FLANGE GALV.
0005	1045	ADJUSTING GEAR PICO
0006	F.6.029	INTERNAL BURR HOLDER
0007	C.3.040	EXTRUDER EXTERNAL BURR
0008	1046	KIT CONICAL BURRS PICO
0009	1047	GRINDING GROUP ASSEMBLY PICO
0010	1048	REBUILD KIT BELT PICO
0011	1049	BALL BERAING PICO
0012	I.3.024	SCREW M4X8 SOCKET CAP GALVANIZED
0013	F.2.077	SILENT BLOCK 10x10 40 ShA
0014	I.3.022	FLANGE NUT M4 H4 WR7 GALVANIZED
0015	I.3.025	SCREW M4x8 SOCKET CUP ROUND-PAN GALV.
0016	I.1.058	SCREW M6X20 HEX HEAD S/S
0017	I.1.208	SCREW M6X16 HEX FLANGE BOLT W/SERRATION
0018	F.6.028	PULLEY 9 HTD 3M Z32
0019	E.7.020	MOTOR AC SINGLE-PHASE
0020	F.2.083	SILICONE COLLAR



la marzocco

handmade in florence

ACCESSORIES





la marzocco

handmade in florence

ACCESSORIES

Item	Part number	Description
0001	E.4.244	POWER CORD 3XAWG18 USA PLUG
0003	5.38	CLEANING SOFT BRUSH

LA MARZOCCO SRL
Via La Torre, 14/H
Localita' La Torre
50038 Scarperia e
San Piero
(Florence) – ITALY
T. +39 055 849 191
F. +39 055 849 1990
info@lamarzocco.com
www.lamarzocco.com