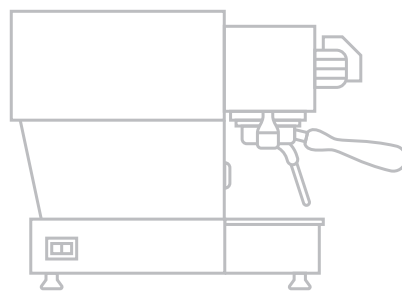
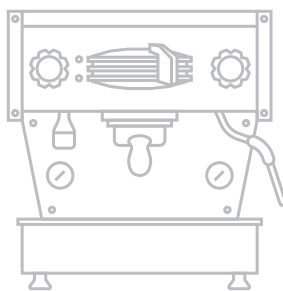


## U.S. installation guideline

# linea mini



### Dimensions

Height	15"
Width	14"
Depth	21"

### Weights

Shipping Weight	95 lbs
Operating Weight	71 lbs

### Power

Voltage/Phase/Cycle	115 VAC 1Φ 60Hz
Wattage	1620
Full Load Amp Draw	14
Max. Dist. from Outlet*	5'
NEMA Plug and Outlet*	5-15P, plug is included

### Water

Specifications for plumb-in. Disregard if using the internal water reservoir.

Water Flow Rate	2GPM
Dynamic Water Pressure †	45PSI
Min. Pipe Size Diameter*	3/8"
Water Connection*	3/8" male comp.
Water Quality	Contact us for a free water test kit. See water specifications.

### Drainage

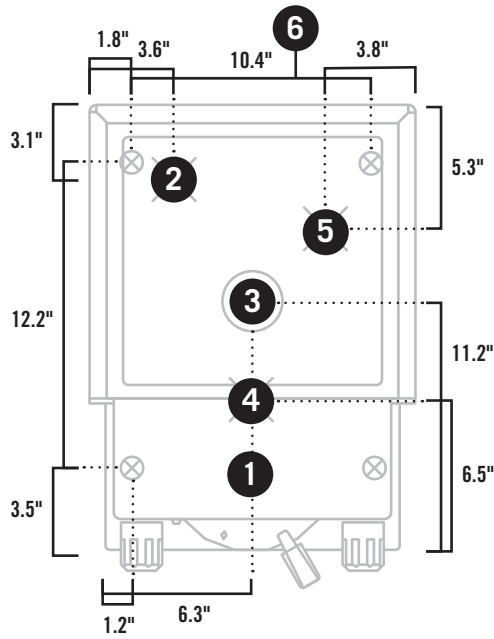
Max. Dist.*	5 ft
Drain Slope*‡	Min. 1/4" per foot
Counter Hole Diameter	2"

\* suggested | † regulate as needed | ‡ This machine must be installed in accordance with the applicable federal, state and local plumbing codes  
° Height from the base of the machine to the group head



# la marzocco

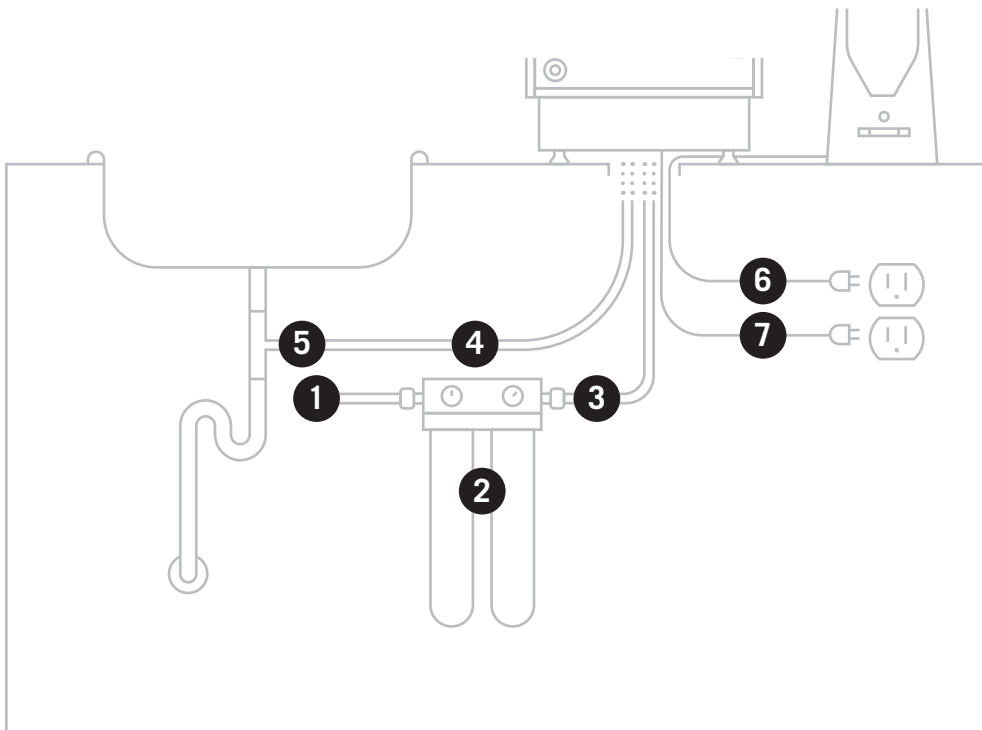
handmade in florence



## top view

1. center line of the machine
2. position of the power cord
3. suggested diameter of counter hole: 2.5"
4. position of the drain tube
5. position of the water inlet hose
6. width of legs per model

⊗ machine leg location



## front view

Specifications for plumb-in. Disregard if using the internal water reservoir.

1. 3/8" cold water supply
2. water filter required if plumbed (not provided), see water specifications below.
3. 3/8" BSPP cold water supply line suggested max. dist. from water supply 8'
4. 3/4" flexible drainline (min. 0.25"/1' slope)
5. sink drain above p-trap
6. 120V, 15amp electrical supply to grinder
7. 120V, electrical supply to espresso machine (plug included)

## water specifications

La Marzocco recommends that your filtration system produces water with the following properties:

<b>T.D.S.</b>	90—150ppm	<b>pH</b>	6.5—8
<b>Total Hardness</b>	70—100 ppm	<b>Alkalinity</b>	40—80ppm
<b>Total Iron</b>	0—0.02ppm	<b>Chloride</b>	0—30ppm
<b>Free Chlorine</b>	0—0.05ppm	<b>Line Pressure</b>	45—80 PSI
<b>Total Chlorine</b>	0—0.1ppm	<b>Flow Rate</b>	2 GPM or 8 LPM