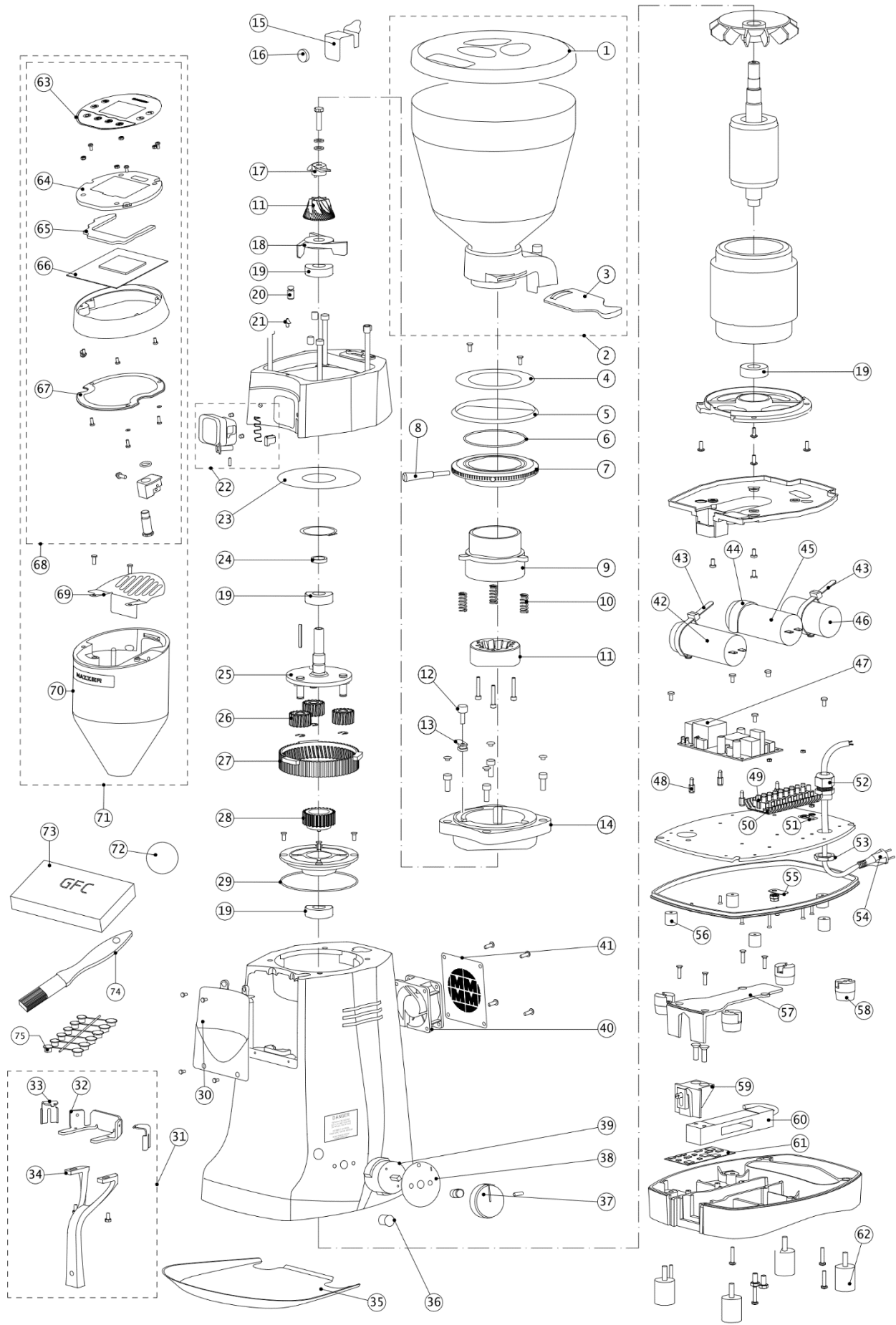


***EXPLODED VIEW***

***KONY Sg***





For questions about parts, or to place an order over the phone, contact La Marzocco Solutions at 1-206-706-9104 ext 101. Orders can be emailed to [parts.usa@lamarzocco.com](mailto:parts.usa@lamarzocco.com)

LM USA generated part numbers (M\*\*\*\*\*) and Mazzer factory numbers (S\*\*\*\*\*/\*\*Q) are used in this catalog. Part numbers in gray text are currently unavailable or by special order only.

Desc. No.	Code	Description
1	M28053002	KONY S HOPPER COVER
2	M28351006	KONY S USA HOPPER WITH COVER
3	SR00SEB02/QQQ	ROBUR S/ZM COLLAR LOCKING SLIDE
4	M28682/KS	CLOSING PLATE FOR KONY S ADJUST. DISK
5	M28681/KS	GRADED RING FOR KONY S GRINDING ADJ.
6	M28680003	RING O.R. 2300 NB70
7	M28158003	KONY S - S.J. V PRO GRINDING ADJ. DISK
8	M28360012	GRINDING ADJUSTMENT DISK HANDLE
9	M28360030/KS	KONY SINGLE PH.UPPER GRIND.BLADE HOLDER
10	M28233	GRINDING ADJUSTMENT SPRING
11	M282191	CONICAL GRINDING BLADES 191C
12	M28360021	LOCKING PIN FOR ROBUR S GRINDING ADJUSTM
13	M28360019	NUT BLOCKING GRINDING ADJ. DISK
14	M28360031/KS	KONY S HOLDER FOR GRINDING ADJUST. DISK
15	SK00LAM01/QQQ	MAGNET FIXING PLATE
16	S000MAG02/QQQ	MAGNET FOR TAG HOLDER
17	M40001	KONY ETL PROPELLER SPARE KIT
18	M28253/KS	KONY SINGLE PH. LOWER GRIND.BLADE HOLDER
19	M28057	BEARING 6202 DDU CM
20	M28243001	PIN FOR ROBUR S DUCT INSERT
21	M28360022	GRINDING ADJUSTMENT INDEX KO S/MJ V
22	SKOSINS01/QQQ	DUCT GFC KONY S EL. ASSEMBLED
23	SK00DIS02/QQQ	DISC TO CLOSE KONY BODY-HEAD
24	M28396002	THICKNESS PLANETARY SHAFT ROBUR/KONY
25	Not Available	
26	M28395	REDUCTION SATELLITE
27	M28395001	REDUCTION CROWN
28	M28397	REDUCTION PLANET ROBUR/KONY
29	M28680001	O'RING 2375 NBR70
30	M28500/MV	MOTOR COVER FOR KONY ELECTRONIC
31	Not Available	
32	SK00FOP01/QQQ	PORTAFILTER HOLDER KONY S G
33A	M28123001	SHORT HOOK - ADJ. PORT-A-FILTER HOLDER
33B	M28123002	LONG HOOK - ADJ. PORT-A-FILTER HOLDER
34	SK00COP04/QQQ	FORK COLUMN KONY S G
35	S000PIB03/QQQ	KONY S G DRIP TRAY

Desc. No.	Code	Description
36	M28258006/RS	PILOT LED LIGHT 110V RED
37	M28166/RS	ALUMINIUM SWITCH KNOB WITH INSERT
38	M28161001	LABEL: SWITCH 0-1
39	M28161	TWO POLE ROTATIVE SWITCH
40	M28510/MV	FAN 60X60 WITH WIRING AND FAN BEARING
41	S000FIVM3/BQQ	FILTER FOR FAN 60X60
42	M19057	CAPACITOR 40 MF U.L.
43	S000FAS06/QQQ	STRAP RELF 170 BLACK
44	M50066	CAPACITOR LOCKING CLAMP D.40
45	M19056	CAPACITOR 30 MF U.L.
46	M28346	RELAIS 110V
47	S000SCS08/QQQ	POWER BOARD 100-240V
48	S000DIB06/QQQ	PLASTIC SPACER - HOLE M3 H10
49	M28903	TERMINAL BLOCKS
50	M28904	UNDER TERMINAL BOARD
51	M28902	GROUND PLATE
52	M30020	CABLE LOCKING HSK-K PG11 BLACK
53	M30021	NUT FOR CABLE LOCKING 3212
54	M30022	ELECTRIC CABLE USA
55	M28905	EXTERNAL UNIPOTENTIAL CLAMP PLATE
56	P000ANV01/QQQ	VIBRATION-DAMPING D15 H15 F-F M4
57	SK00COB01/QQQ	KONY S G - BASE COVER
58	SK00DIP01/QQQ	SPACER FOR FOOT
59	S000MEP01/QQQ	SPP SHELF FORK
60	S000CEL01/QQQ	FLINTEK PC22-5KG-C3 LOAD CELL
61	S000SCS03/QQQ	WEIGHING BOARD
62	P000PIA10/AQQ	FOOT DD2515H ZINC-COATED
63	S000MEM11/QQQ	MEMBRANE FOR USER INTERFACE WITH TFT DIS
64	S000DCD01/QQQ	COVER DISK FOR TFT DISPLAY
65	S000GUA12/QQQ	ANTI DUST GASKET TFT DISPLAY
66	S000SCS04/QQQ	TFT E DISPLAY BOARD
67	S000FOC02/QQQ	BOTTOM FOR PUSH BUTTON LID
68	S005SCD06/QQQ	TFT E DISPLAY BOARD
69	S000PRB08/QQQ	STEEL COFFEE OUTLET GUARD ELECTR.
70	M28660/RS	FUNNEL ASSEMBLY ROBUR S EL
71	S00SIMB09/QQQ	FUNNEL ASSEMBLY WITH DISPLAY E MODEL S
72	S000PEC02/QQQ	CALIBRATION WEIGHT MODEL G
73a	M60040/KS	GFC KIT KONY S S HYBRID
73b	SKOSRET05/QQQ	GFC KIT KONY S ANTICLUMPING
74	M28685	MAZZER CLEANING BRUSH
75	S00SCAP01/QQQ	KIT OF CAPS FOR GRINDING ADJUSTMENT DISK

Adapted from Mazzer catalog ESKOP 01.00 07.2024 by La Marzocco USA.

MAZZER LUIGI S.p.a  
VIA MOGLIANESE, 113  
30037 GARDIGIANO DI SCORZE' (VE)  
ITALIA  
[mazzer.com/en/](http://mazzer.com/en/)

LA MARZOCCO USA LLC  
1553 NW BALLARD WAY  
SEATTLE, WA 98107  
USA  
[lamarzoccousa.com](http://lamarzoccousa.com)