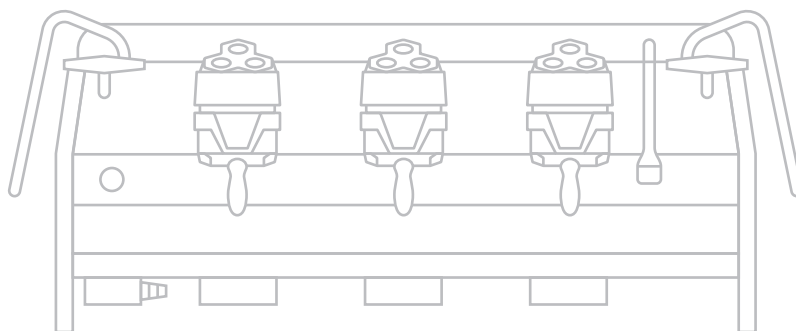


U.S. installation guideline

strada S & X



Dimensions

Height

2 group

19.7"

3 group

19.7"

Width

32.7"

40.6"

Depth

27.2"

27.2"

Weight

Machine Weight

169.4 lbs

206.4 lbs

Power

Voltage/Phase/Cycle

208-240 VAC 1 Φ 60Hz

208-240 VAC 1 Φ 60Hz

Wattage

5666

7783

Amp Service Required

30

50

Volumes

brew boiler capacity (liters)

2.6

3.9

steam boiler capacity (liters)

8.2

11.8

Certifications

UL-197, NSF-8, CAN/GSA-C22.2 No. 109

Configurations Available

X mass-based profiling, S auto-volumetric

Water

Water Flow Rate 2GPM

Dynamic Water Pressure † 45PSI

Min. Pipe Size Diameter* 3/8"

Water Connection* 3/8" male comp.

Water Quality Contact us for a free water test kit. See water specifications.

Drainage

Max. Dist.* 5'

Drain Slope*‡ Min. 1/4" per foot

External Pump

Dimensions 12" x 12" x 12"

Max. Dist. from Water Supply* 4'

Max. Dist. from Machine 8'

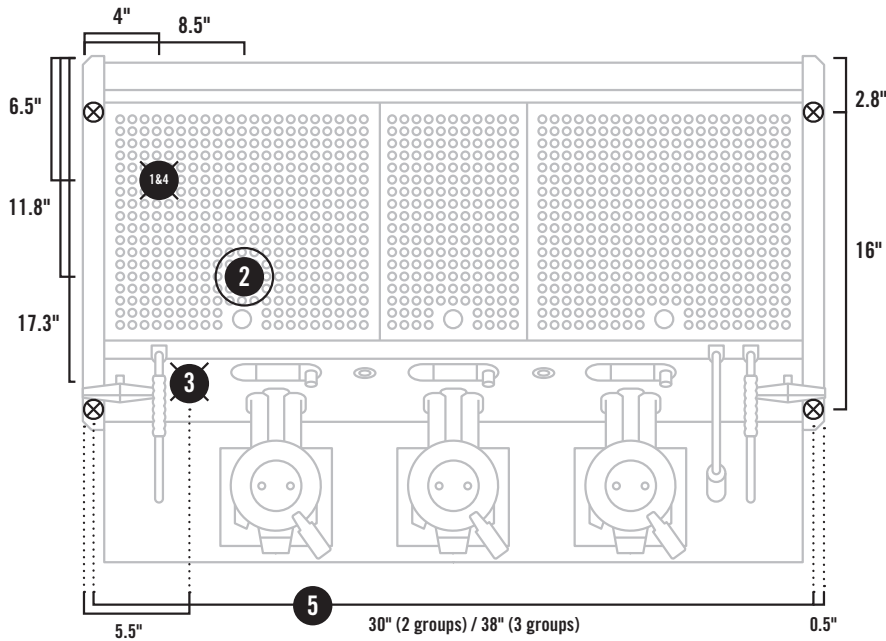
Counter Hole Diameter 3—4"

* suggested | † regulate as needed | ‡ This machine must be installed in accordance with the applicable federal, state and local plumbing codes



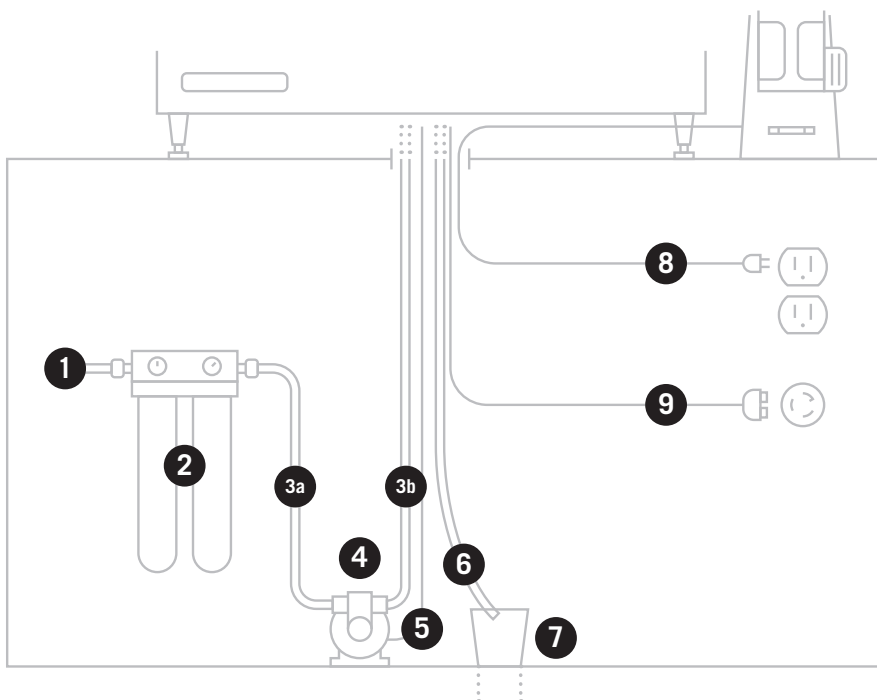
la marzocco

handmade in florence



top view

1. position of the power cord
 2. suggested diameter of counter hole: 3—4"
 3. position of the drain tube
 4. position of the water inlet hose
 5. width of legs per model
- × machine leg location



front view

1. 3/8" cold water supply
2. water filter required (not provided), see water specifications below.
- 3a. 3/8" compression cold water supply line suggested max. dist. from water supply 4'
- 3b. 3/8" BSPP cold water supply line suggested max. dist. from water supply 8'
4. pump and motor (MP & EE configurations only)
5. electrical supply to motor from machine
6. 3/4" flexible drainline (min. 0.25"/1' slope)
7. floor drain
8. 110V, 15amp elec. supply to grinder
9. 208-240V single phase elec. supply to espresso machine (plug not provided)

water specifications

La Marzocco recommends that your filtration system produces water with the following properties:

T.D.S.	90—150ppm
Total Hardness	70—100 ppm
Total Iron	0—0.02ppm
Free Chlorine	0—0.05ppm
Total Chlorine	0—0.1ppm

pH	6.5—8
Alkalinity	40—80ppm
Chloride	0—30ppm
Line Pressure	45—80 PSI
Flow Rate	2 GPM or 8 LPM