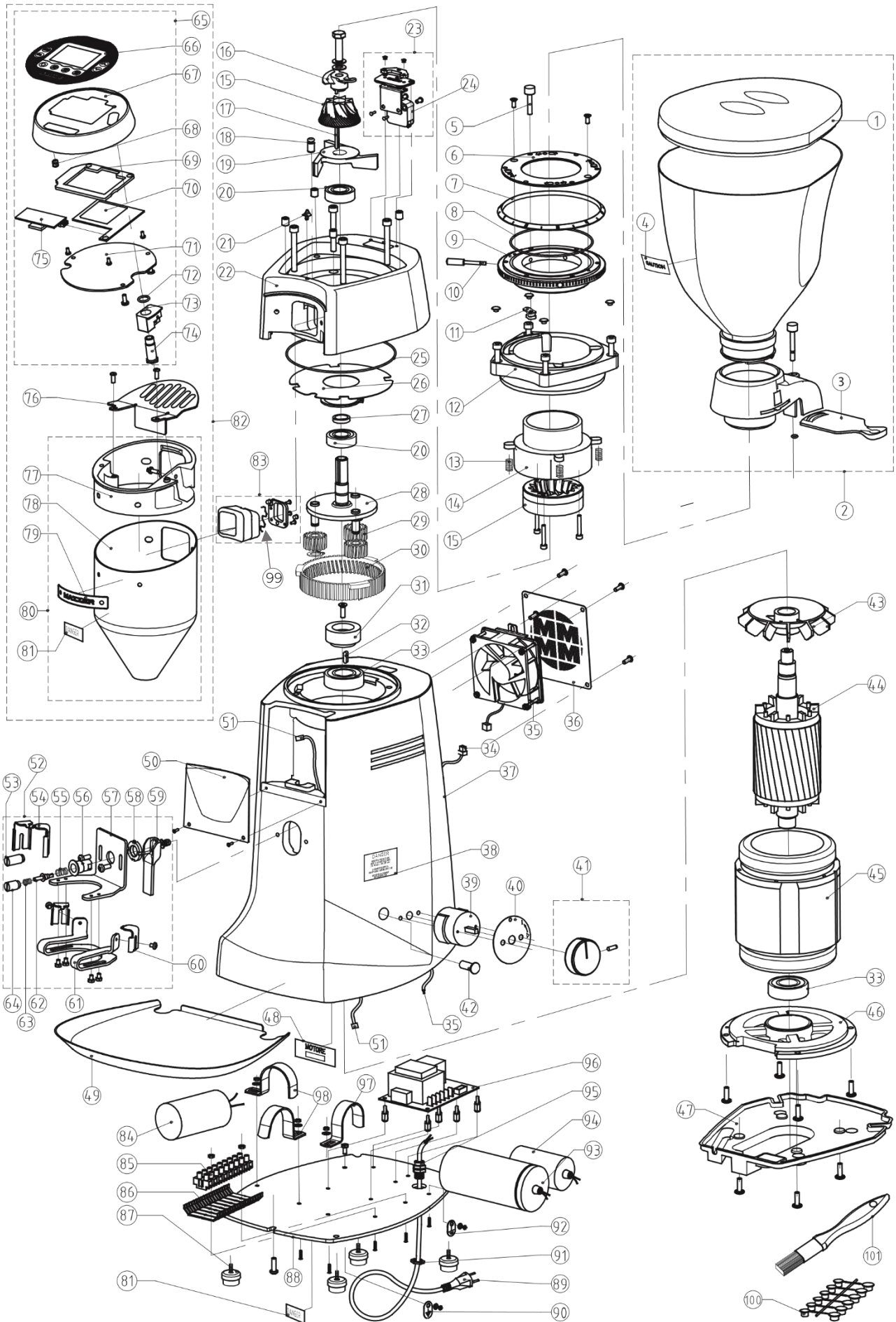


EXPLODED VIEW
ROBUR S ELECTRONIC





For questions about parts, or to place an order over the phone, contact La Marzocco Solutions at 1-206-706-9104 ext 101. Orders can be emailed to parts.usa@lamarzocco.com

LM USA generated part numbers (M*****) and Mazzer factory numbers (S*****/**Q) are used in this catalog.

| Desc. No. | Part Number | Description |
|-----------|---------------|--|
| 1 | M28053001 | Hopper Lid, Robur 'S', Major V |
| 2 | M28351005 | Hopper, Robur S, Major V (no lid) |
| 3 | M28326011 | Robur S, Major V, ZM Collar Locking Slide |
| 4 | Not Available | |
| 5 | M28360021 | Locking Pin for Robur S Grind Adjustment Disk |
| 6 | M28682 | Closing Plate for Robur S Grinding Adjust Disk |
| 7 | M28681 | Graded Ring for Robur S Grind Adjustment Disk |
| 8 | M28680001 | O-Ring 2375 NBR70 |
| 9 | M28158001 | Robur S, Major V Grind Adjustment Disk |
| 10 | M28360012 | Grinding Adjustment Disk Handle |
| 11 | M28360019 | Lock Nut for Grinding Adjustment Disk |
| 12 | M28360031/RS | Holder for Robur S Grinding Adjustment Disk |
| 13 | M28233 | Grinding Adjustment Spring |
| 14 | M28360030/RS | Robur S Upper Burr Holder |
| 15 | M282186 | 186-C Conical Burrs, Robur / Kold |
| 16 | Not Available | |
| 17 | M28254001 | Key 3 x 3 x 28 |
| 18 | M28243001 | Pin, for Robur 'S' Duct Insert |
| 19 | M28253/RS | Lower Burr Holder, Robur 'S' Single Phase |
| 20 | M28057 | Bearing, 6202 (Swift) |
| 21 | M28253001 | Grinding Adjustment Index, Riobur 'S' / Kold 'S' |
| 22 | Not Available | |
| 23 | M28241001 | Rubur 'S' Wired Safety Switch |
| 24 | M28241002 | Hopper Safety Switch |
| 25 | M28680002 | O-Ring 2500 NBR70 |
| 26 | M28680020 | Disk to Close Robur 'S' Body-Head |
| 27 | M28396002 | Thickness Planetary Shaft |
| 28 | M2839601 | Robur 'S' Single Phase Shaft w/ 3 pivots |
| 29 | M28395 | Gear Reduction |
| 30 | M28395001 | Outer Reduction Gear |
| 31 | M28397 | Reduction Planet |
| 32 | M28255 | 4 X 4 X 14 Key |
| 33 | M28063 | Bearing, 6204 |
| 34 | M28540 | Connection Cable for Fan |
| 35 | M282510/RS | Fan 80 x 80 w/ Wiring & Fan Bearing |

| Desc. No. | Part Number | Description |
|-----------|---------------|--|
| 36 | M28530/R | Filter Screen, for 80 x 80 Fan |
| 37 | Not Available | |
| 38 | S000TAA21/QQQ | "DANGER" PLATE |
| 39 | M28161 | Two Pole Rotative Switch, On/Off |
| 40 | M28161001 | Switch Label - 0/1 |
| 41 | M28166/RS | Aluminum Switch Knob w/ Insert Robur S, Major V |
| 42 | M28258006/RS | Pilot LED Light, 110v, Red |
| 43 | Not Available | |
| 44 | Not Available | |
| 45 | Not Available | |
| 46 | Not Available | |
| 47 | Not Available | |
| 48 | Not Available | |
| 49 | TRAY/LG-RS | Robur S, Major V Drip Tray |
| 50 | M28500/RS | Motor Cover, Robur 'S' |
| 51 | Not Available | |
| 52 | M28123010 | Complete Portafilter Rest Assembl |
| 53 | Not Available | |
| 54 | M28123002 | Long Hook - Adjustable Portafilter Holder |
| 55 | Not Available | |
| 56 | Not Available | |
| 57 | Not Available | |
| 58 | M28123007 | Ring, M15 x 1 |
| 59 | Not Available | |
| 60 | M28123001 | Short Hook - Adjustable Portafilter Holder Robur S |
| 61 | Not Available | |
| 62 | Not Available | |
| 63 | Not Available | |
| 64 | Not Available | |
| 65 | M28625 | Display Board w/ WiFi, Robur S, Major V |
| 66 | M28610/RSM | Membrane for User Interface Equiped w/ TFT Display |
| 67 | Not Available | |
| 68 | M2861001 | Plastic Spring Plunger |
| 69 | Not Available | |
| 70 | M28620/RSH | TFT Display Board Robur S, Major V |
| 71 | M2861002 | Bottom for TFT Display Holder, Robur S, Major V |
| 72 | Not Available | |
| 73 | Not Available | |
| 74 | Not Available | |
| 75 | M28620/RS | WiFi Board for User Interface w/ TFT Display |
| 76 | M28323/RS | Coffee Outlet Guard Robur S, Major V |
| 77 | M28324 | Funnel Ring, Robur 'S', Kold 'S' |
| 78 | M28660/RS | Robur 'S' Electronic Funnel, Complete w/ Ring |
| 79 | Not Available | |
| 80 | Not Available | |

| Desc. No. | Part Number | Description |
|-----------|---------------|--|
| 81 | Not Available | |
| 82 | Not Available | |
| 83 | M28671/RS | Duct Insert Assembly, Robur 'S', Kold 'S' |
| 84 | M19058 | Capacitor 60 uF |
| 85 | M28903 | Terminal Blocks |
| 86 | M28904 | "Under" Terminal Blocks |
| 87 | M28258 | Standard Foot, Mini, Lux, Super Jolly, Major |
| 88 | Not Available | |
| 89 | M30022 | Power Cable |
| 90 | Not Available | |
| 91 | M30021 | Nut for Cable Locking |
| 92 | M28902 | Ground Plate |
| 93 | M19060 | Capacitor 80 uF |
| 94 | M28346 | New Style, Relay for Robur / Kold |
| 95 | M30020 | Cable Locking, Black |
| 96 | M28702 | Power Board 100-120v Robur S, Major V |
| 97 | M50066 | Mazzer Capacitor Locking Clamp |
| 98 | M5006601 | Capacitor Locking Clamp D.50 |
| 99 | M60040/H3 | Mazzer GFC SINGLE, Robur 'S', Kold 'S', Hybrid |
| 100 | M28685 | Cleaning Brush |
| 101 | Not Available | |

Adapted from Mazzer catalog ESROELE 06.00 04.2021 by La Marzocco USA.

MAZZER LUIGI S.p.a
VIA MOGLIANESE, 113
30037 GARDIGIANO DI SCORZE' (VE)
ITALIA
mazzер.com/en/

LA MARZOCCO USA LLC
1553 NW BALLARD WAY
SEATTLE, WA 98107
USA
lamarzoccousa.com