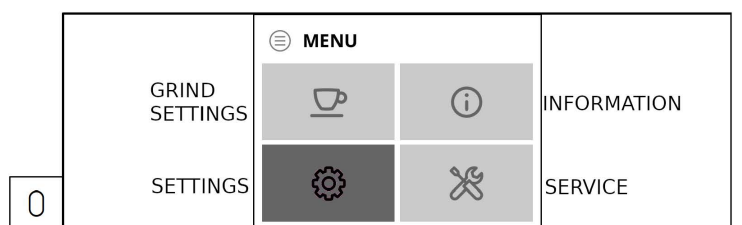
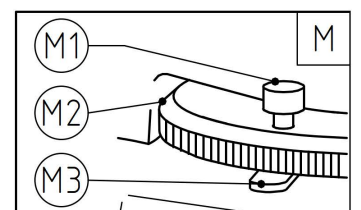
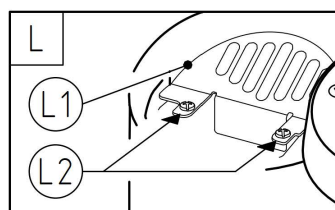
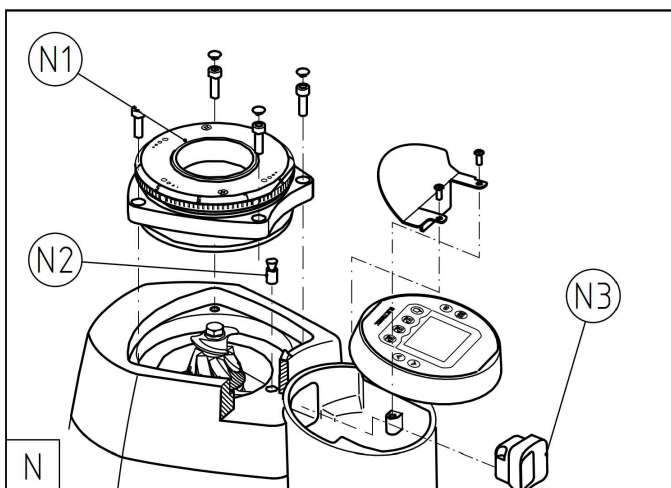
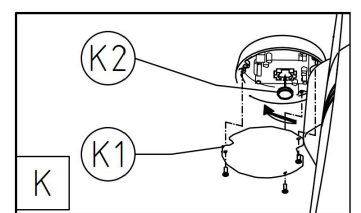
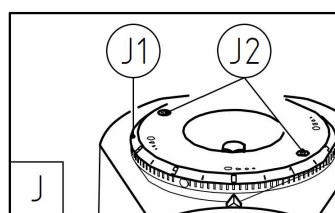
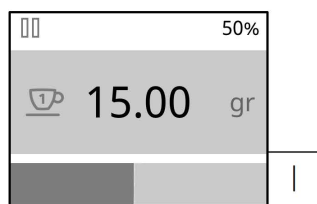
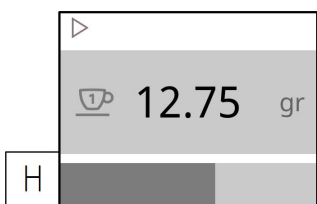
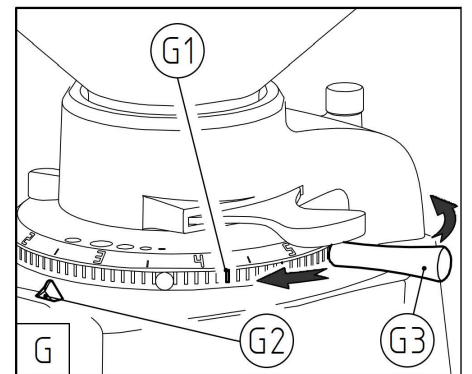
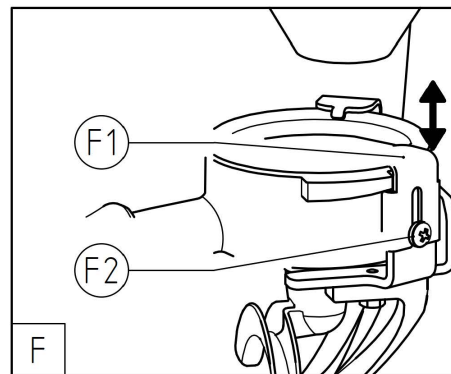
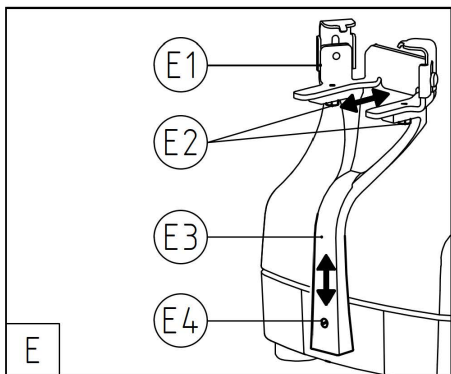
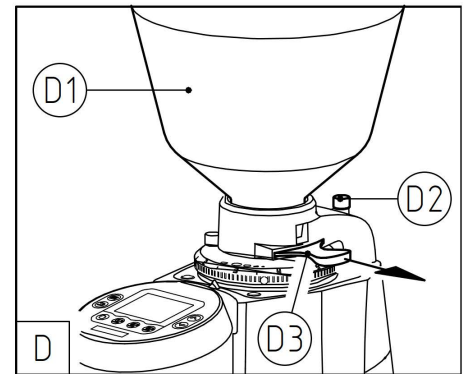
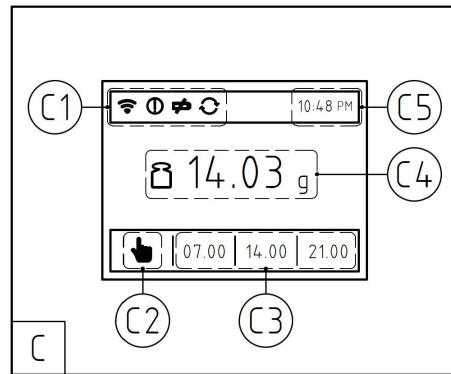
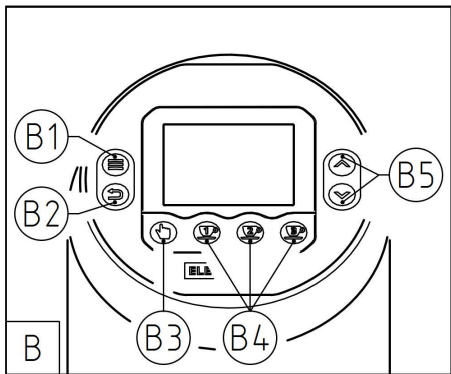
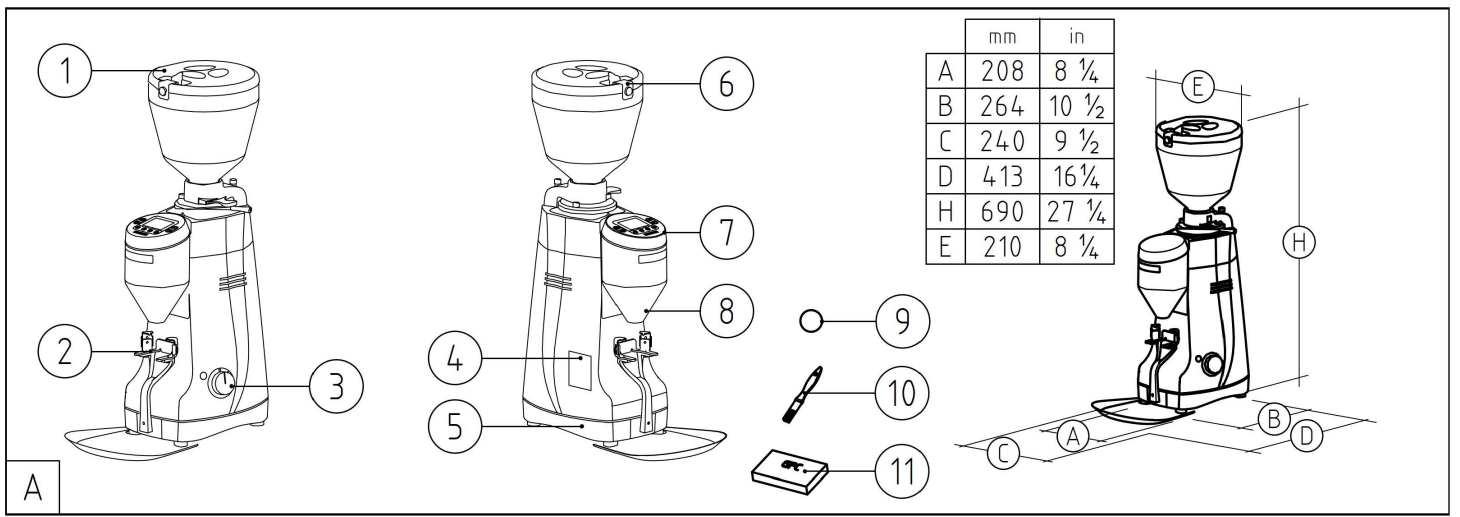




Kony S g

Macinacaffè / Coffee Grinder

Manuale d'istruzioni / Instruction manual



ENGLISH

Instruction manual

coffee grinder

Kony S g

Contents

ENGLISH.....	10
1. GENERAL DESCRIPTION.....	10
2. FOREWORD.....	10
3. WARNINGS REGARDING SAFETY.....	11
4. INSTALLATION AND WIRING.....	12
5. WARNING REGARDING OPERATION.....	13
6. OPERATION.....	14
6.1. Preliminaries.....	14
6.2. Switching the appliance on and off.....	14
6.3. Adjusting grinding.....	14
6.4. Coffee dose adjustment.....	15
6.5. Stop for the grinding adjustment disk.....	15
7. MAINTENANCE.....	15
7.1. Filter holder fork setting.....	15
7.2. Ring zeroing - Memory track legend.....	16
7.3. Battery replacement.....	16
7.4. Noise level.....	16
7.5. Safety devices.....	16
8. CLEANING.....	16
8.1. Hopper cleaning.....	17
8.2. Grinder chamber cleaning.....	17
9. ELECTRONIC MANAGEMENT.....	17
9.1. Calibration.....	17
10. DISPOSAL.....	17

1. GENERAL DESCRIPTION

See illustrations page.

- 1- hopper lid;
- 2 - port-a-filter holder fork;
- 3- main switch;
- 4- technical data label;
- 5 - base;
- 6 - tag holder;
- 7 - push button panel;
- 8 - funnel;
- 9 - calibration weight;
- 10 - cleaning brush;
- 11 - GFC box kit;
- B1 - menu/selection button;
- B2 - cancel button;
- B3 - push button for manual grinding;
- B4 - dose button (1, 2, 3);
- B5 - navigation buttons;
- C1 - alerts;
- C2 - manual button state icon (ON/OFF);
- C3 - preset doses/times;
- C4 - weight last dose;
- C5 - time;
- D1 - hopper (coffee bean container);
- D2 - hopper fixing pin
- D3 - locking slide;
- E1 - port-a-filter holder fork;
- E2 - lower screws;
- E3 - pillar;
- E4 - pillar screw;
- F1 - side tongue;
- F2 - side setscrew;
- G1 - adjustment disk notch;
- G2 - adjustment index;
- G3 - grinding adjustment disk handle;
- J1 - memory track;
- J2 - ring setscrews;
- K1 - bottom of the lid;
- K2 - battery;
- N1 - ring support assembly;
- N2 - outlet insert lock pin;
- N3 - GFC;
- L1 - coffee outlet guard;
- L2 - fixing screws;
- M1 - disk stopping pin;
- M2 - coffee grinding adjustment disk;
- M3 - disk stopping nut;

2. FOREWORD

Read this manual from cover to cover before using the appliance as it

contains important instructions for the safety, operation and maintenance of the appliance.

Look after this manual and keep it in a safe place.

The manufacturer reserves the right to make changes to the product and to the manual.

Original instructions. All right reserved. It is prohibited to reproduce, adapt or translate this document without prior written authorization.

3. WARNINGS REGARDING SAFETY

The coffee grinders, grinder-dosers and electronic grinder-dosers are intended for skilled personnel only for professional use and not for household use. The user must be an adult.

This electrical appliance must be used in conformity with the rules in force governing safe operation:

- **Do not allow children or incapable persons to use the appliance and/or play with the appliance. Keep the appliance and power cord away from children.**
- **Grind solely coffee beans. Any other use is understood to be improper, and consequently hazardous. Do not use the appliance for grinding other types of food, or anything else.**
- **When operating the appliance, beware of the moving mechanical parts' in the area of the grinding blades and of the ground coffee**

outlet. Avoid removing foreign bodies from the grinding system or hopper without first unplugging the appliance from the mains.

- Take care, as the grinding blades may continue rotating for a short while even after the appliance is switched off.
- **The user is not authorized to remove screws or any parts screwed onto the appliance.**
- In the event the appliance is not working properly or is faulty, contact skilled technical personnel, and do not attempt to make repairs yourself.
- In the event of damage of the power cord or plug, contact skilled technical personnel in order to avoid any hazard.
- Before performing any work on the appliance, including cleaning and/or maintenance, disconnect it from the power supply by unplugging. The removal of the plug has to be such that an operator can check from any of the points to which he has access that the plug remains removed. Turning off the appliance using its master switch does not assure the same conditions of safety.
- Do not tamper with the appliance.
- When the appliance is left unattended, the appliance's power supply must be disconnected using its master switch.
- Do not let liquids of any kind come into contact with the internal or external parts of the appliance.
- Never put ground coffee in the

hopper intended only for coffee beans.

- Do not tug on the supply cable to unplug the appliance from the mains.
- Do not touch the appliance with damp or wet hands or feet.
- Do not use the appliance barefoot.
- Due to the weight of the grinder, use appropriate precautions for handling it. Maximum weight: 22kg.
- The packaging materials must be kept out of the reach of children as they represent a potential source of danger. Keep the packaging until the warranty has expired.
- This appliance is intended for use at maximum altitudes of 2000 meters.
- In event of disposal of this appliance, follow the instructions in chapter 9.

The manufacturer cannot be held responsible for bodily injury or damage to property if these regulations are not complied with.

4. INSTALLATION AND WIRING

Installation and maintenance (as stated in section 7, of this booklet), shall be solely carried out by person having knowledge and practical experience of the appliance, in particular for what is concerning safety and hygiene, in conformity with the safety rules in force.

Incorrect installation may result in injury of persons or animals, or damage to property, for which the manufacturer cannot be held responsible.

- On opening the packaging, check carefully to make sure the appliance is intact and that there are no signs of damage. If in any doubt, do not use the unit and contact your service reference.
- The appliance must be placed on a stable, flat surface (we recommend to install the appliance at an height between 85 and 100 cm from the floor).
- **For the better functioning, install the appliance on a surface not subject to vibrations.**
- Before plugging in the appliance, make sure the voltage and frequency values of the supply mains correspond to the technical data indicated on the label positioned on the bottom of the grinder.
- The wall socket must be fitted with an efficient earth contact. Consequently, it is essential to make sure the earth system is efficient and in conformity with current safety rules. If in any doubt, have the system thoroughly checked by personnel with the appropriate professional skills.
It is compulsory to earth the appliance. The manufacturer cannot be held responsible in the event this regulation is not complied with.
- It is essential to make sure the ratings of the system are suitable for the power absorbed by the appliance - as indicated on the label featuring the technical data - and that the wall socket is protected against

overcurrents.

- Do not use extension cables, plug adapters for multiple sockets or makeshift connections.
- In EU member countries, the regulation in force calls for the external equipotential terminal on the outer part of the appliance's base plate to be connected to a equipotential node if the installation is to be correct.



- The appliance is suitable for indoor use only. Do not install the appliance outdoors.
- For an optimal functioning of the appliance a room temperature range from 15°C to 35°C is suggested.
- Thoroughly clean the appliance at the first installation; follow the instructions in chapter 8.
- The appliance is not suitable for installation in an area where a water jet could be used.
- For the correct use of the grinding blades, at the first installation or whenever the grinding blades have been replaced, grind some doses of coffee. Do not use those first doses.
- The appliance is only to be installed in locations where its use and maintenance is restricted to trained personnel.
- A minimum clearance of 15 cm (6.0 inches) is required between the grinder and any adjacent walls (or other adjacent appliances). Frontal side must be open.

- Do not install the appliance near to water dispenser or similar product that could throw water jet on the appliance.
- The port-a-filter holder, supplied in the package, must be properly secured and set as described in the instructions of section 7.
- CALIBRATION: at the very first installation, and after any adjustment of the port-a-filter holder, after any handling of the appliance, follow the instruction described on section 9
- The Wi-Fi module's working frequency is 2.4 GHz in the electronic coffee grinders equipped with this function.

5. WARNING REGARDING OPERATION

- Do not leave the appliances turned ON without coffee in the hopper.
- Do not insert, when filling the hopper with coffee beans, foreign objects. Handle with clean hands.
- After any hopper filling and in normal use of the appliance, the hopper lid must be positioned correctly.
- When adjusting the grind (grind setting point), do not put the grinding blades (burrs) in touch when motor is turning. This will damage the grinding blades (burrs) and affect the grind quality.
- Before to fill the hopper, do not wet the coffee beans with water, water spray and/or any other liquid

Operating range of the motor

- Observe the duty cycle stated in the

label located on the bottom of the appliance.

- E. g. : a data on the label 35s ON / 45s OFF points out an allowed duty cycle of 35 seconds switched on and 45 seconds switched off.

6. OPERATION

6.1. Preliminaries

Make sure the hopper is positioned correctly on the appliance and fixed to the casing with relevant pin on the collar.

Close the locking slide and fill the hopper with coffee beans. Open the locking slide so that the beans are allowed to drop into the grinding system. {Figure D}

6.2. Switching the appliance on and off

In order to power up the appliance, set the on-off knob to I. The appliances are equipped with a port-a-filter holder. This holder can be adapted to several shapes and diameters of the port-a-filters but must be set/adjusted as described in the section 7.

The appliance of the "g" range, can operate with two grind modes: "grind mode by weight" in which the dose is completed when the desired weight has been reached, or "grind mode by time" in which the grinder stops after the time set has elapsed. To switch from one mode to the other, follow the instructions described on section 9

Grind mode by weight

Once the port-a-filter has been placed on the holder, the appliance (grinder) will tare it and the display will show "tare in progress". After this the weight shown will be zero. It is possible to start grinding even during the tare progress, however to achieve a more precise dose, it is recommended to wait the end of the tare.

To grind and dose the coffee press one of the dose buttons (dose 1, dose 2 or dose 3); the grinding will continue until the desired weight is reached and when completed the weight will appear on green colour (Figure I). It is possible to grind manually by holding down the manual grinding button. If the manual grinding button is released the grinder stops. It is recommended to use the manual grinding button when setting the grind point (Figure C.)

Grinding Mode by Time.

Place the portafilter on the holder (fork). Coffee grinding and dosing occur by pressing one of the dose buttons (dose 1, dose 2, or dose 3); grinding continues for the set time for the selected dose button. You can manually start the appliance (grinder) by holding down the manual grinding button. Releasing the manual grinding button stops the appliance (grinder). It is recommended to use this

button to adjust the appliance's (grinder) grinding settings.

Grinding interruption

When grinding the display will show the icon of the selected dose, the grind progress (through a progress bar) and the weight or time elapsed (Figure I). To cancel the grind in progress press the button cancel.

When grinding, if necessary, press the button of selected dose to pause for 30 secs. To complete the dose press the button of the selected dose again. In case the button is not pressed within 30 secs the dose will be cancelled (Figure H)

When set on grind mode by weight it is possible to pause by lifting the port-a-filter from the holder, when placed back on the holder within 30 secs, with the ground coffee in it, the grinding will restart automatically.

The display counter increments of one unit for every completed dose 1 and of two units when every 2 dose is completed. For each dose 3, for each canceled dose, and for each manual dosing, the counters increase/decrease by the quotient between the actual weight/time of grinding and the set weight/time for dose 1.

In order to switch off the appliance manually, set the on-off switch knob to O.

6.3. Adjusting grinding

In order to achieve finer or coarser grinding, the adjustment disk located under the hopper must be adjusted using the relevant handle. In order to increase the coarseness of the ground coffee, the disk must be rotated clockwise; to decrease, turn the disk anticlockwise. Indicatively, a 1 notch rotation of the disk corresponds to a variation in the brewing time of the espresso machine of 3 seconds. {Figure G}

The disk remains in the chosen position without having to be locked in place. The adjustment must be performed with the motor on, and preferably without any coffee between the grinding blades. Grind small amounts of coffee in order to determine the optimal degree of fineness.

Before checking the fineness of the ground coffee, grind some doses of coffee to fill the duct between the grinding area and the outlet. This operation must be done whenever the grinding setting has been changed in order to empty the duct of the previous ground coffee. The change of the grinding setting might vary the weight of the doses. Therefore adjust the doses only after the grinding setting.

If the coffee comes out of the espresso coffee machine very quickly, it means the coffee is ground too coarse. Vice versa, if it comes out too slowly, it means the coffee is ground too fine. Nonetheless, bear in mind that there are many conditions liable to influence the correct supply, such as the weight of the portions, the compacting, the espresso machine settings, and the cleaning of the filters.

6.4. Coffee dose adjustment

Grind mode by weight

The dosing of the ground coffee takes place by weighing the quantity of coffee in the portafilter cup at each moment. Three different dose weights are configurable, associated with buttons dose 1, dose 2, and dose 3.

To associate the desired dose weight with each button, proceed as follows:

- Press in sequence the menu button and the button of the dose you want to adjust (1, 2 or 3). The display shows the screen to change the weight for the selected dose.
- Use the navigation buttons to increase or decrease the dose
- Press menu button to confirm the new weight. Instead, press the Cancel button to exit the procedure without saving the changes.

Grind mode by time

In time-based grinding mode, the greater the set time, the greater the weight of the obtained dose. Up to three different grinding times are configurable, associated with buttons 1, 2, and 3.

Before setting the dose, you should adjust correctly the grain size of the ground coffee.

To adjust dosing, proceed in the following manner:

- Press in sequence the menu button and the button of the dose you want to adjust (1, 2 or 3). The display shows the screen to change the time for the selected dose.
- Use the navigation buttons to increase or decrease the dose time. Approximately, a change of 0.1 seconds is equivalent to a change of dose of 0.4 grams (0,15 ounces).
- Press menu button to confirm the new time. Instead, press the cancel button to exit the procedure without saving the changes.
- Use a digital precision scale to check the weight of the dose and, if necessary, repeat above mentioned operation.

When you are inside the adjusting program it is not possible to operate the appliance.

6.5. Stop for the grinding adjustment disk

The device acts as stop for the grinding adjustment disk keeping the possibility to do a stepless micrometrical grinding adjustment.

The appliance is equipped with a nut fitted in a rail beneath the grinding adjustment disk and with a pin which screws in the nut. {Figure M}

To adjust the grinding, loosen the pin and turn the disk until you get the desired point of grinding. To secure the disk in the new position tighten the pin.

To make wider adjustment of the disk loosen completely the pin, turn the disk to get the desired point of grinding, then put the pin in one of the holes located on the disk on the same side of the nut and screw the pin tight.

7. MAINTENANCE

Instructions stated in this section shall be solely carried by persons having knowledge and practical experience of the appliance, in particular for what is concerning safety and hygiene, after disconnecting the appliance from the mains supply by removing the plug from the power outlet.

In order to assure the lasting efficiency of the appliance, skilled technical personnel must be called in to perform periodical maintenance, including detailed checks of the state of those components subject to wear.

- It is recommended to use original spare parts only.
- It is essential to check monthly the state of the supply cable and plug periodically.

In the event the supply cable or plug are damaged, call in skilled technical personnel to replace them, this to prevent any risk.

In CE-certified appliances, a special tool is required to open the base plate to get at the cable.

- For an optimal functioning of the appliance a room temperature range from 15°C to 35°C is suggested.
- Grind solely coffee beans. Any other use is understood to be improper, and consequently hazardous. The manufacturer cannot be held responsible for any damage as a result of improper or incorrect use. Do not use the appliance for grinding other types of food, or anything else.
- We recommend to check periodically the state of the grinding blades. Keeping the grinding blades in an excellent state assures high-quality grinding, resulting in greater productivity and limited overheating. For the correct use, whenever the grinding blades have been replaced, grind some doses of coffee. Do not use those first doses. The electronic grinder-doser is equipped with a notification system that warns when it is time to replace the grinding blades. The correct operation of this function is guaranteed only with the use of genuine grinding blades.

7.1. Filter holder fork setting

To ensure a proper fall of the ground coffee into the filter, it is possible to set the position of the portafilter both in height and depth.

- To adjust the height of the fork, loosen the screw located at the base of the central pillar, position the fork at the desired height, and tighten the screw.
- The depth position is adjustable by loosening the two screws located under the support plane of the holder. Once the correct position is found, re-tighten the two screws. {Figure E}

To allow the correct engagement of the filter holder, the fork must be set using the side tongues. Loosen the setscrews

of the side tongues and place the filter holder on the fork. Rest the side tongues on the top surface of the filter holder and secure them again.

If, even by placing the tongues at the maximum height allowed, spouts are too low in relation to the top surface of the filter holder; replace the tongues and use the longer ones available within the packaging. {Figure F}

7.2. Ring zeroing - Memory track legend

The appliance comes with the ring zeroed so that number 0 corresponds to the point of contact of the grinding blades. To reset the zeroing, for example after the replacement of the grinding blades, proceed in the following manner {Figure J}:

- Make sure the grinding chamber is clean.
- Fully screw the ring (rotating it counterclockwise) up to the contact of the grinding blades, and remove the hopper.
- Loosen the 2 setscrews and rotate the numbered ring (Memory track) so that 0 corresponds to the index.
- Secure again the setscrews.
- Fit again the hopper and adjust grinding.

The numbers on the numbered ring are a useful guide for setting the grind fineness.

7.3. Battery replacement

If you see the following red icon on the display {Figure C}, this means the buffer battery (which powers date and time system), is almost exhausted. The battery is indispensable for a correct use of statistics and cloud functions, if available and enabled.

Here is how to proceed to replace the buffer battery:

- Rotate the user interface lid by 180° as shown in the figure K;
- Take off the bottom of the lid removing the 3 fixing screws;
- Remove the old battery and replace with a new one, same specifications (CR2032 battery);
- Put back in place the bottom of the user interface lid and fix it with its screws;
- Rotate back to the normal position the user interface lid.

7.4 Noise level

European Union

The daily personal noise exposure of a worker, due ONLY to an appliance's limit operation of 240 minutes per eight hours, is 74dB(A) ± 2.2dB(A) (valued as acoustic pressure). According to European Directive 2003/10/EC, during the appliance's normal operation, no provisions are to be taken in order to prevent such risks arising or likely to arise from noise exposure at work.

USA & Canada

The noise level of our appliances is included within the limits stated in U. S. regulation 29 CFR 1910. 95 ('Occupational Health and Environment Control -

Occupational noise exposure') for eight hours continuously in a day (in reference to a noise exposure due solely to appliance operation).

Said noise level has been determined on identical news appliances.

7.5. Safety devices

Thermal overload protection

The appliance's motor is protected against overheating resulting from overcurrents by a thermal overload protection which, when tripped, cuts off the power supply to the motor. Should the protection trip as a result of anomalous operation, such as the grinding blades jamming, the appliance must be turned off using the on-off switch, unplugged from the mains, and skilled technical personnel contacted. Never perform any work on the appliance while it is attached to the mains, to avoid the risk that motor turns on suddenly. If the appliance overheats as a result of the motor stopping, allow the appliance to cool down before performing any repair work.

Hopper safety microswitch

The system that protects against accidental contact with the rotating parts of the grinding system consists of a microswitch, situated under the body of the appliance, that cuts the electricity to the motor.

The push button that controls this device is operated by a tongue in the collar of the hopper. If the hopper is removed or not properly in place, the microswitch prevents the appliance from working. To ensure the hopper is positioned correctly it must be fixed to the casing using the relevant pin on the collar.

Coffee outlet guard

The coffee outlet guard must always be fixed to the funnel, using the relevant screws, which must never be removed by the user. The removal of the coffee outlet guard can be done by skilled technical personnel only after disconnecting the appliance from the power supply by unplugging. Before reconnecting the appliance to the power supply, fix the coffee outlet guard. {Figure L}

8. CLEANING

The appliance must not be cleaned using water jets. Do not install the appliance in rooms where water jets are used for cleaning.

The appliance must be cleaned weekly by skilled technical personnel only.

Use perfectly clean, disinfected cloths or brushes for cleaning.

Do not use abrasive products as these are liable to take the sheen off shiny parts. Do not use alcohol or solvents on coloured components, on plastic components and where are written indications or trademarks.

8.1. Hopper cleaning

Wash the hopper once it has been removed from the appliance, using neutral soap and water, rinse abundantly with lukewarm water and dry thoroughly. It is advisable to clean the hopper periodically. Once the hopper has been cleaned it must be put back on the appliance properly, fixing it with the relevant pin.

8.2. Grinder chamber cleaning

Remove the hopper and, after having unscrewed the relevant screws, remove the ring support assembly. Rotate counterclockwise the display cover, and remove the coffee outlet guard. {Figure N}

Remove the locking pin and out the GFC.

Thoroughly clean the ring support assembly, the grinding blades, the GFC, the entire grinding system, the funnel and its cover, using a dry brush and cloth.

Be very careful when cleaning the GFC not to damage or deform its internal metal wire.

To ensure a perfect alignment of the grinding blades and achieve an ideal grinding, it is recommended to thoroughly clean all mating surfaces.

Reinsert the GFC into its seat and secure it with the locking pin; check the alignment of GFC with the first part of the chute. Refit the coffee outlet guard, securing it appropriately with the appropriate screws. Refit the cover turning it clockwise by 180°. After repositioning the ring support in its seat, fully screw the setscrews. Refit the hopper securing it appropriately.

9. ELECTRONIC MANAGEMENT

In this section, the main instructions for managing the electronic functions are provided. For a more in-depth manual, please refer to the QR code."



To access the menu, press the menu button {Fig. B}.

To navigate within the menu {Fig. O}, use the navigation buttons {Fig. B}. To confirm, use the menu/select button; to cancel, use the cancel button.

Within the 'grind setting' menu, you can set the doses associated with buttons 1, 2, or 3; establish and manage pauses during grinding; set the grinding mode, either by weight or by time.

In the 'Information' menu, you can check the total number of ground doses, the remaining doses in case of refill, grinding statistics, the list of alerts, and burr change status. You can also view a service number (if set) and the firmware version.

In the 'Machine settings' menu, you can set the menu

language, date and time, display settings, establish a user password, and manage the device's connectivity.

Access to the service menu is protected by a password. Inside, you can manage information about burr changes and alerts, reset the visible counter on the display, manage permissions for dose modifications, and manual button management. You can also handle the Wi-Fi module and firmware updates, perform device calibration, and reset the board.

9.1. Calibration

To calibrate the appliance, navigate to the 'calibration' icon and confirm with the menu/select button. Confirm to proceed with calibration, and place an empty port-a-filter, confirm, and position the calibration weight provided in the package, then confirm and wait for the completion of the procedure.

10. DISPOSAL

Do not litter: dispose of the packaging materials according to the laws in force.

Should you decide not to use the appliance any more, remember to unplug it so that it cannot be used, and then cut the cable in the point where it comes out of the appliance.

Contact specialized firms for information on the disposal of the components of the appliance.

INFORMATION FOR USERS RESIDING IN THE EUROPEAN UNION

Pursuant to art. 26 of Legislative Decree of March 14, 2014, no. 49: "Implementation of Directive 2012/19/EU on Waste Electrical and Electronic Equipment (WEEE)".



The crossed bin symbol shown here and on the equipment or its box indicates that, at the end of its useful life, the product (EEE) must be collected separately from other waste, with prohibition of disposal with mixed waste.

For more information, visit www.mazzer.com.

TUTORIAL



MAZZER LUIGI Spa
Via Moglianese Gardigiano, 113
30037 Scorzè - Venezia - Italy
www.mazzer.com/en/

