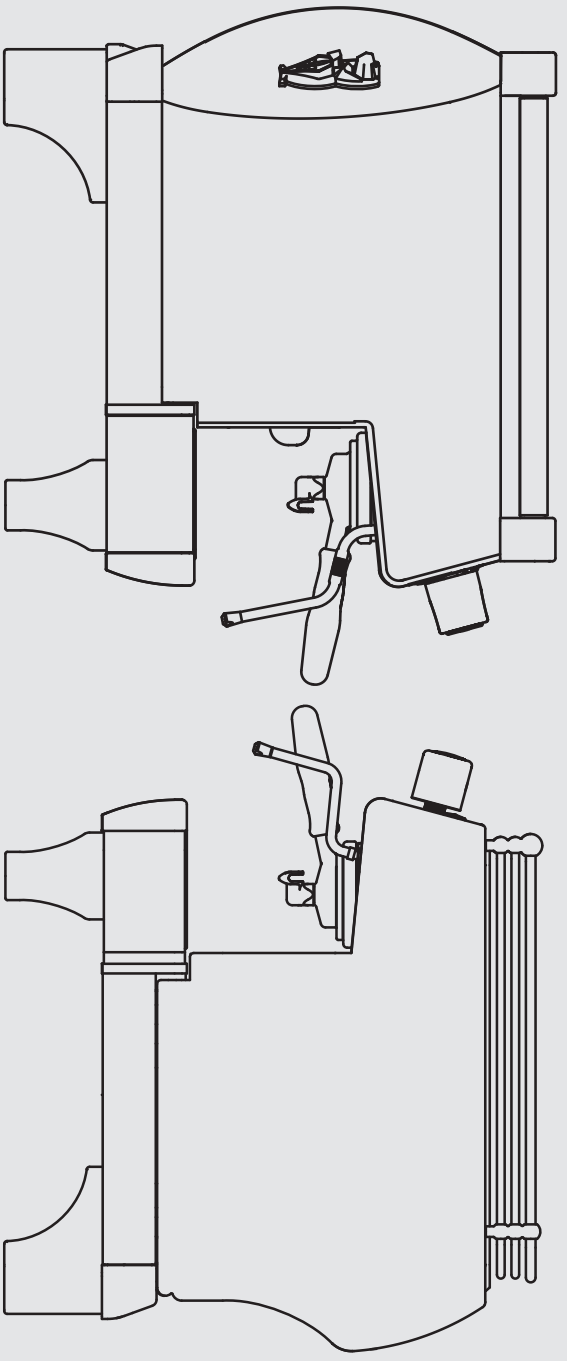


# parts catalog

## gb5 - fb80







**la marzocco**  
handmade in florence

## INDEX

		<b>Pag.</b>	<b>Ver.</b>
Specifications	Caratteristiche Tecniche	4	5.3
Body Panel Assembly	Carrozzeria	6	5.3
Control Panel Assembly	Pannello di Controllo	14	5.3
Control Panel Assembly - Barista Lights	Pannello di Controllo - Luci Barista	18	5.3
Control Panel Assembly - Logo Lights	Pannello di Controllo - Luci Logo	20	5.3
Steam Wand Assembly	Lancia - Rubinetto Vapore	22	5.3
Anti-Suction Steam Valve Kit	Kit Antirisucchio Rubinetto Vapore	26	5.3
Autosteam Assembly	Autosteam	28	5.3
Hydraulic Assembly	Impianto Idraulico	35	5.3
Hot Water Mixing Valve	Valvola Miscelatrice Acqua Calda	41	5.3
Pre-Heating Mix Valve	Valvola Termostatica	43	5.3
Single Boiler Version	Versione Caldaie Singole	45	5.3
Fittings and Valves	Raccordi e Valvole	51	5.3
Coffee Boiler	Caldaia Caffè	55	5.3
Boiler Assembly	Caldaie	69	5.3
Custom Color	Colori Personalizzati	71	5.3
Heating Elements	Resistenze Elettriche	81	5.3
Electrical System and Pump	Impianto Elettrico e Pompa	85	5.3
Portafilter Assembly	Portafiltri	87	5.3
Hose and Accessories	Tubi e Accessori	93	5.3



la marzocco  
handmade in florence

## SPECIFICATIONS - GB5 & FB80

### gb5



### fb80





**la marzocco**

handmade in florence

## SPECIFICATIONS - GB5 & FB80

**Caratteristiche Tecniche**

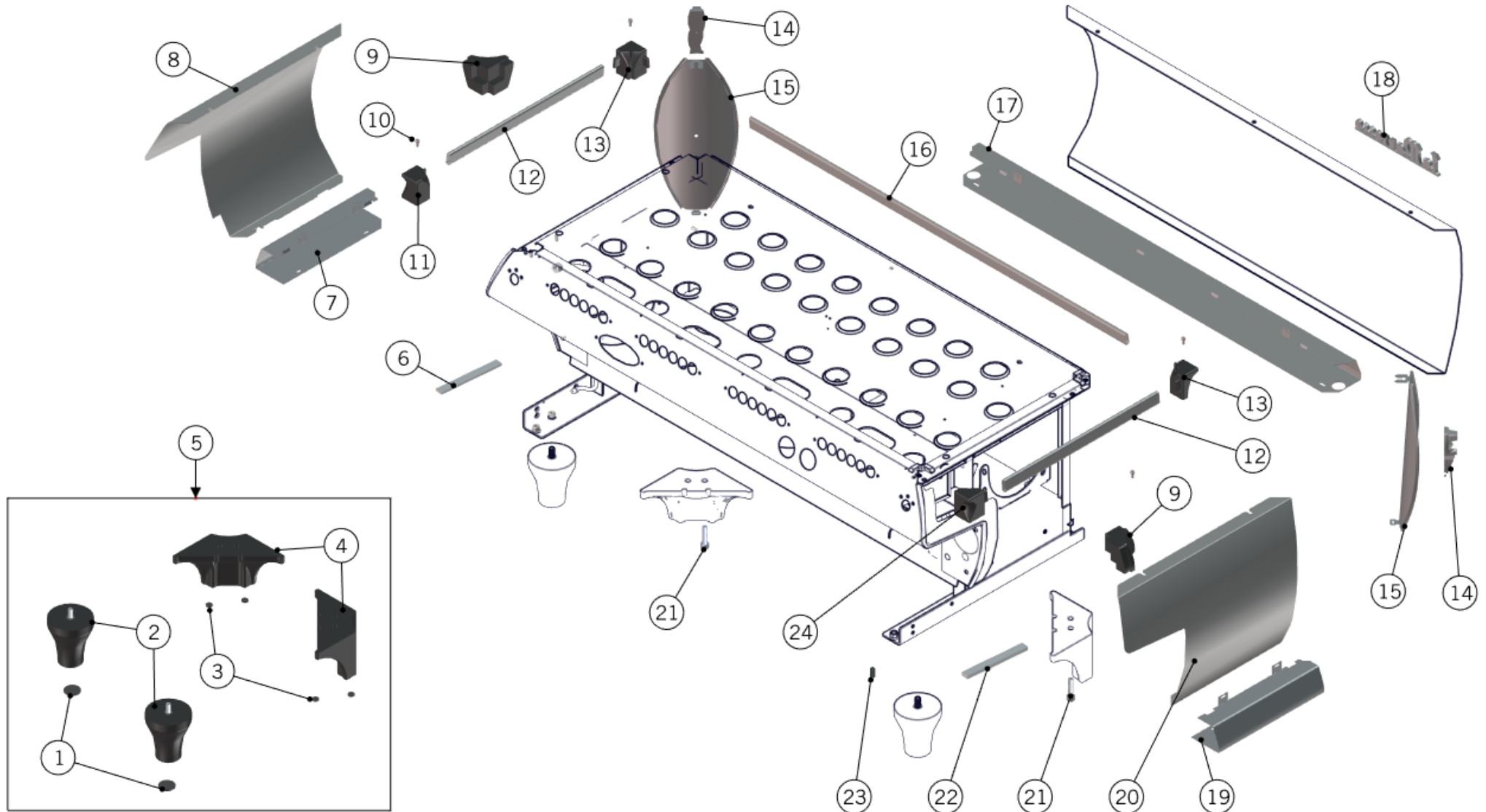
L1 (GB5)	mm	750	950	1190
	in	29,53	37,40	46,85
L2 (FB80)	mm	755	955	1195
	in	29,72	37,60	47,05
Machine weight GB5 - FB80	Kg	62 - 63	74 - 75	107 - 105
	lb	137 - 139	163 - 165	235,89 - 231,49
Shipping weight GB5 - FB80	Kg	86 - 88	109 - 111	129 - 127
	lb	190 - 194	240 - 245	284,4 - 280
Electrical Voltage	VAC	200VAC Single/Three Phase	200VAC Single/Three Phase	200VAC Single/Three Phase
		220VAC Single/Three Phase	220VAC Single/Three Phase	220VAC Single/Three Phase
		380VAC Three Phase	380VAC Three Phase	380VAC Three Phase
Coffee Boiler Wattage Low	W	1400 Watts	1600 Watts	2800 Watts
High	W	1400 Watts	1900 Watts	2800 Watts
Steam Boiler Wattage Low	W	2000 Watts	3000 Watts	3800 Watts
High	W	3000 Watts	4000 Watts	5000 Watts
Total Wattage	W	3600/4600 Watts	4800/6100 Watts	6800/8000 Watts
Required Available Amperage	A	25 amps (20 for Australia)	35 amps (32 for Australia)	45 amps (40 for Australia)
Coffee Boiler Capacity	liters	3,4	5,0	6,8
Steam Boiler Capacity (liters)	liters	7,0	11,0	15,0
Total Capacity (liters)	liters	10,4	16,0	21,8
<b>Machine configuration</b>		<b>2GR</b>	<b>3GR</b>	<b>4GR</b>



la marzocco

handmade in florence

# BODY PANEL ASSEMBLY - GB5





la marzocco

handmade in florence

# BODY PANEL ASSEMBLY - GB5

Carrozzeria

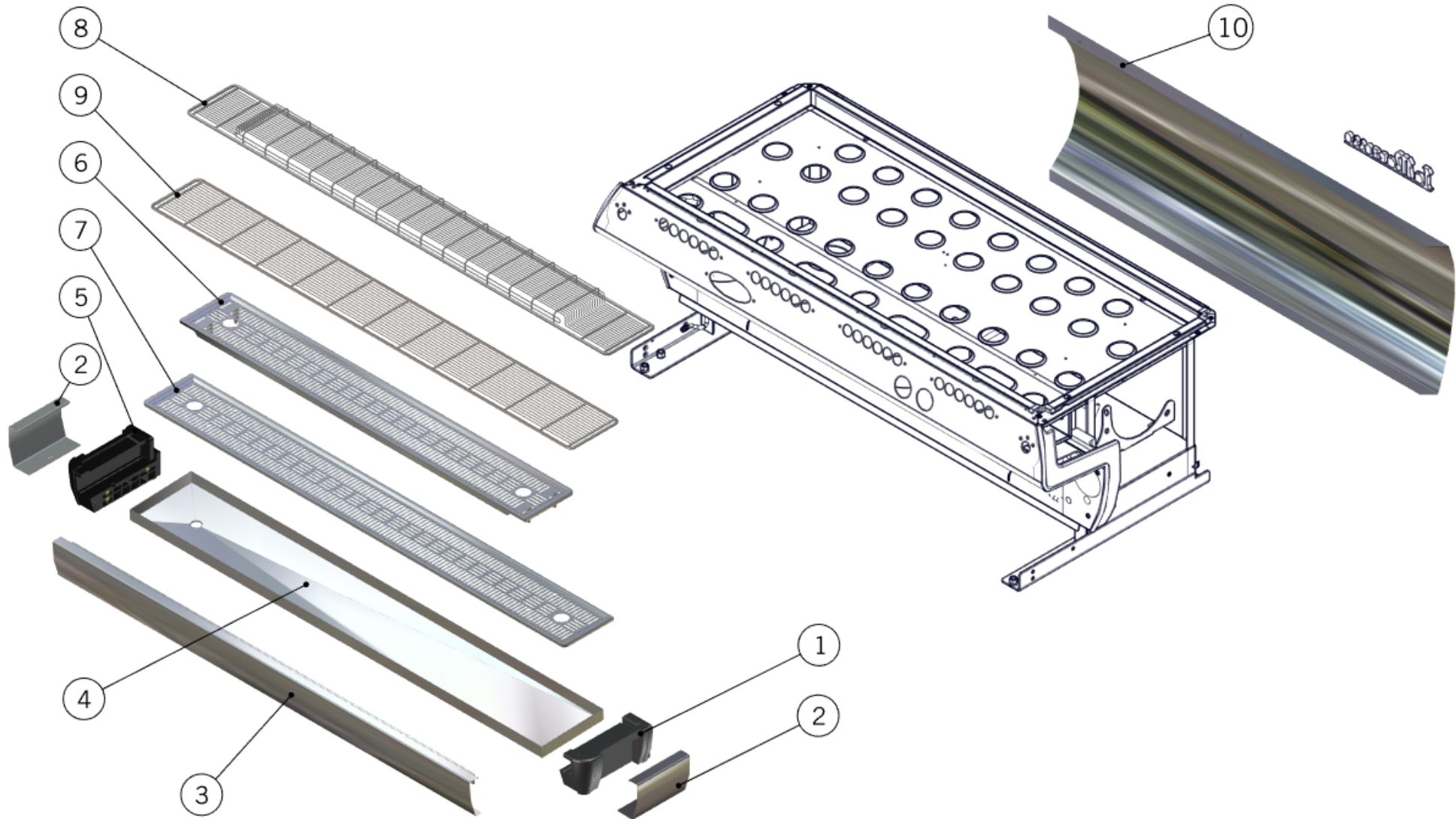
1	F.2.031	FRONT HIGH LEG RUBBER PAD GB5/FB80	GOMMINO GAMBE ALTE ANTERIORI GB5/FB80
2	C.2.060	FRONT HIGH LEG GB5 FB80	GAMBA ALTA ANTERIORE GB5 FB80 VERNICIATO
3	F.2.030	REAR HIGH LEG RUBBER PAD GB5/FB80	GOMMINO GAMBE ALTE POSTERIORI GB5/FB80
4	C.2.061	BACK HIGH LEG GB5 FB80	GAMBA ALTA POSTERIORE GB5 FB80 VERNIC.
5	908	HIGH LEGS KIT FOR GB5 + RUBBER FEET	HIGH LEGS KIT FOR GB5 + RUBBER FEET
6	F.1.001	DRAIN TRAY LEFT GUIDE BLOCK	GUIDA PE SX PER BACINELLA
7	C.1.003	COVER FRAME LEFT LOWER GB5	CORNICE INFERIORE LATERALE SX GB5
8	C.1.013.01	PANEL LEFT SIDE GB5	FIANCATA SX GB5
	C.1.013.50	PANEL LEFT SIDE GB5 WHITE	FIANCATA SX GB5 BIANCO
	C.1.013.60	PANEL LEFT SIDE GB5 MATTE BLACK	FIANCATA SX GB5 NERO OPACO
9	C.2.059	GB5 LOWER BASE CORNER	ANGOLO CORNICE BASE GB5 VERNICIATO
10	I.1.007	SCREW M5X40 SOCKET CAP S/S A2	VITE M5X40 TC A BRUGOLA INOX A2
11	C.3.002.01	GB5 LEFT FRONT RAILING CORNER	ANGOLO SUPERIORE FRONTALE SX GB5
12	C.1.018	RAILING SIDE GB5	RINGHIERA LATERALE GB5
13	C.3.001.01	GB5 UPPER BACK CORNER	ANGOLO SUPERIORE POSTERIORE GB5
14	D.1.002	LION FOR GB5	LEONE PER GB5
15	C.1.016	GB5 POLISHED S/S SHIELD	SCUDO GB5 ACCIAIO LUCIDO
	C.1.016.50	GB5 WHITE SHIELD	SCUDO GB5 BIANCO
	C.1.016.60	GB5 SHIELD MATTE BLACK	SCUDO GB5 NERO OPACO
16	C.1.017.2	RAILING BACK GB5 2GR	RINGHIERA POSTERIORE GB5 2GR
	C.1.017.3	RAILING BACK GB5 3GR	RINGHIERA POSTERIORE GB5 3GR
	C.1.017.4	RAILING BACK GB5 4GR	RINGHIERA POSTERIORE GB5 4GR
17	C.1.002.2	COVER FRAME LOWER GB5 2GR	CORNICE INFERIORE GB5 2GR
	C.1.002.3	COVER FRAME LOWER GB5 3GR	CORNICE INFERIORE GB5 3GR
	C.1.002.4	COVER FRAME LOWER GB5 4GR	CORNICE INFERIORE GB5 4GR
18	D.1.001	LA MARZOCCO LOGO FOR GB5	LOGO LA MARZOCCO PER GB5
19	C.1.004	COVER FRAME RIGHT LOWER GB5	CORNICE INFERIORE LATO DX GB5
20	C.1.014.01	PANEL RIGHT SIDE GB5	FIANCATA DX GB5
	C.1.014.50	PANEL RIGHT SIDE WHITE GB5	FIANCATA DX GB5 BIANCO
	C.1.014.60	PANEL RIGHT SIDE GB5 MATTE BLACK	FIANCATA DX GB5 NERO OPACO
21	I.3.002	SCREW M10X40 SOCKET CAP GALVANIZED	VITE M10X40 TC A BRUGOLA ZINCATA
22	F.1.003	DRAIN TRAY RIGHT GUIDE BLOCK	GUIDA PE DX PER BACINELLA
23	I.1.079	M10 STEEL SPRING PLUNGER	PRESSORE ACCIAIO A SFERA M10
24	C.3.003.01	GB5 RIGHT FRONT RAILING CORNER	ANGOLO SUPERIORE FRONTALE DX GB5
<b>Item</b>	<b>Part number/Codice</b>		<b>Descrizione</b>



la marzocco

handmade in florence

# BODY PANEL ASSEMBLY - GB5







la marzocco

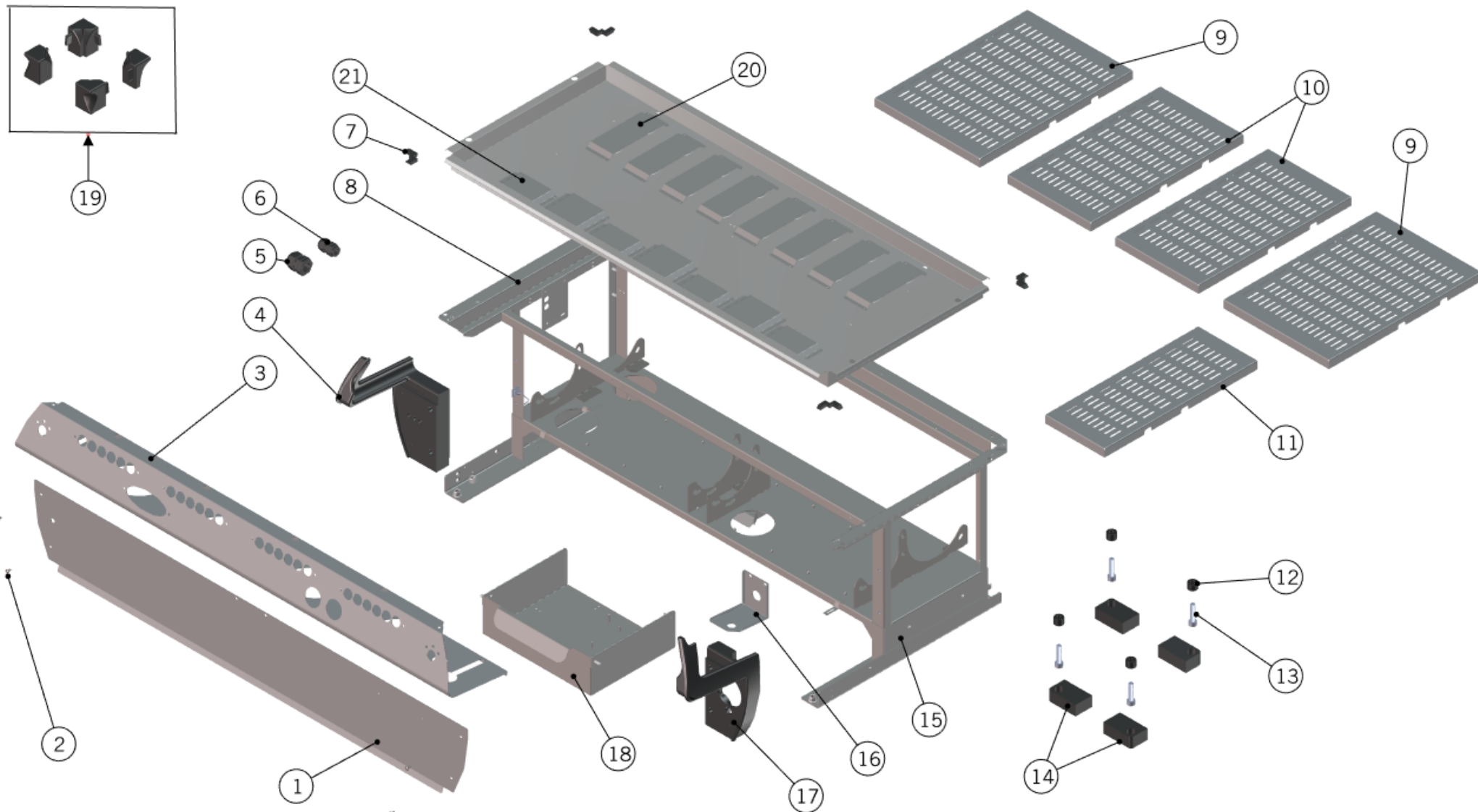
handmade in florence

# BODY PANEL ASSEMBLY - GB5

Carrozeria

1	C.2.057.DX	GB5 RIGHT DRAIN TRAY CORNER	ANGOLO VASCA DX GB5 VERNICIATO
2	C.1.021	COVER LOWER CORNER GB5	COPERTURA ANGOLO INFERIORE GB5
3	C.1.005.2	COVER DRAIN TRAY GB5 2GR	COPERTURA BACINELLA GB5 2GR
	C.1.005.3	COVER DRAIN TRAY GB5 3GR	COPERTURA BACINELLA GB5 3GR
	C.1.005.4	COVER DRAIN TRAY GB5 4GR	COPERTURA BACINELLA GB5 4GR
4	C.1.006.2	TRAY DRAIN GB5 2GR	BACINELLA GB5 2GR
	C.1.006.3	TRAY DRAIN GB5 3GR	BACINELLA GB5 3GR
	C.1.006.4	TRAY DRAIN GB5 4GR	BACINELLA GB5 4GR
5	C.2.057.SX	GB5 LEFT DRAIN TRAY CORNER	ANGOLO VASCA SX GB5 VERNICIATO
6	C.1.012.2R	GRID DRAIN GB5 2GR W/STAND	GRIGLIA SCARICO GB5 2GR C/RIALZO
	C.1.012.3R	GRID DRAIN GB5 3GR W/STAND	GRIGLIA SCARICO GB5 3GR C/RIALZO
	C.1.012.4R	GRID DRAIN GB5 4GR W/STAND	GRIGLIA SCARICO GB5 4GR C/RIALZO
7	C.1.012.2	GRID DRAIN GB5 2GR	GRIGLIA SCARICO GB5 2GR
	C.1.012.3	GRID DRAIN GB5 3GR	GRIGLIA SCARICO GB5 3GR
	C.1.012.4	GRID DRAIN GB5 4GR	GRIGLIA SCARICO GB5 4GR
8	C.1.175.2	WIRE GRID LOW CUPS GB5 2GR	GRIGLIA A FILO C/RIALZO GB5 2GR
	C.1.175.3	WIRE GRID LOW CUPS GB5 3GR	GRIGLIA A FILO C/RIALZO GB5 3GR
	C.1.175.4	WIRE GRID LOW CUPS GB5 4GR	GRIGLIA A FILO C/RIALZO GB5 4GR
9	C.1.222.2	WIRE GRID HIGH CUPS GB5 2GR	GRIGLIA A FILO TAZZE ALTE GB5 2GR
	C.1.222.3	WIRE GRID HIGH CUPS GB5 3GR	GRIGLIA A FILO TAZZE ALTE GB5 3GR
	C.1.222.4	WIRE GRID HIGH CUPS GB5 4GR	GRIGLIA A FILO TAZZE ALTE GB5 4GR
10	C.1.015.2.01	PANEL BACK GB5 2GR	PANNELLO POSTERIORE GB5 2GR
	C.1.015.2.50	PANEL BACK GB5 2GR WHITE	PANNELLO POSTERIORE GB5 2GR BIANCO
	C.1.015.2.60	PANEL BACK GB5 2GR MATTE BLACK	PANNELLO POSTERIORE GB5 2GR NERO OPACO
	C.1.015.3.01	PANEL BACK GB5 3GR	PANNELLO POSTERIORE GB5 3GR
	C.1.015.3.50	PANEL BACK GB5 3GR WHITE	PANNELLO POSTERIORE GB5 3GR BIANCO
	C.1.015.3.60	PANEL BACK GB5 3GR MATTE BLACK	PANNELLO POSTERIORE GB5 3GR NERO OPACO
	C.1.015.4.01	PANEL BACK GB5 4GR	PANNELLO POSTERIORE GB5 4GR
	C.1.015.4.50	PANEL BACK GB5 4GR WHITE	PANNELLO POSTERIORE GB5 4GR BIANCO
C.1.015.4.60	PANEL BACK GB5 4GR MATTE BLACK	PANNELLO POSTERIORE GB5 4GR NERO OPACO	
<b>Item</b>	<b>Part number/Codice</b>		<b>Description</b>
			<b>Descrizione</b>

# BODY PANEL ASSEMBLY - GB5





la marzocco

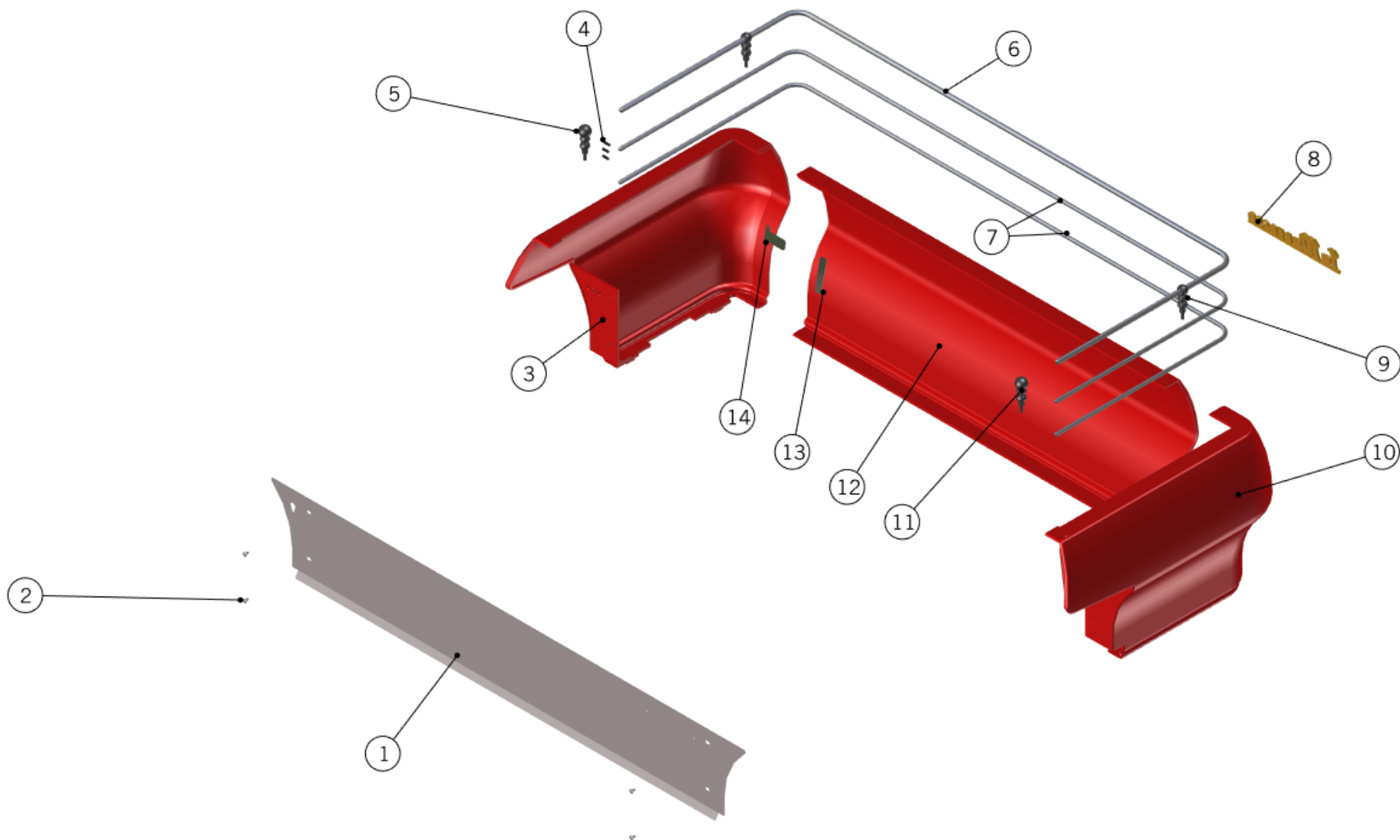
handmade in florence

## BODY PANEL ASSEMBLY - GB5

Carrozzeria

1	C.1.009.2	PANEL MAIN SWITCH GB5 2GR	PANN. INTERR. GENERALE GB5 2GR	
	C.1.009.3	PANEL MAIN SWITCH GB5 3GR	PANN. INTERR. GENERALE GB5 3GR	
	C.1.009.4	PANEL MAIN SWITCHGB5 4GR	PANN. INTERR. GENERALE GB5 4GR	
	2	I.1.099	SCREW M4X10 MUSHROOM SLOTTED HEAD S/S	VITE M4X10 TPB A TAGLIO INOX
	3	C.1.008.2	PANEL CONTROL GB5 2AV	PANNELLO DI COMANDO GB5 2AV
		C.1.008.3	PANEL CONTROL GB5 3AV	PANNELLO DI COMANDO GB5 3AV
		C.1.008.4	PANEL CONTROL GB5 4AV	PANNELLO DI COMANDO GB5 4AV
	4	C.2.058.SX	GB5 CONTROL PANEL LEFT SUPPORT	SUPPORTO SX PANN.INTERRUTTORI GB5 VERNIC
	5	L322/G	CORD GRIPS PG21	PRESSACAVO PG21
	6	L322/P	CORD GRIPS PG13,5	PRESSACAVO PG13,5
	7	F.2.001	CUP-WARMER TRAY CORNER	ANGOLARE PER VASSOIO SCALD.
	8	C.1.011.2.02	TRAY CUPWARMER GB5 2GR W/PROTECTIONS	VASSOIO SCALDATAZZE GB5 2GR C/PROTEZIONE
		C.1.011.3.02	TRAY CUPWARMER GB5 3GR W/PROTECTIONS	VASSOIO SCALDATAZZE GB5 3GR C/PROTEZIONE
		C.1.011.4.02	TRAY CUPWARMER GB5 4GR W/PROTECTIONS	VASSOIO SCALDATAZZE GB5 4GR C/PROTEZIONE
	9	C.1.028	GRID CUPWARMER 286MM GB5	GRIGLIA SCALDATAZZE 286MM GB5
	10	C.1.029	GRID CUPWARMER 253MM GB5	GRIGLIA SCALDATAZZE 253MM GB5
	11	C.1.010	GRID CUPWARMER 199MM GB5	GRIGLIA SCALDATAZZE 199MM GB5
	12	F.1.005	PVC FOOT SUPPORTS DM.21 GB5	SUPPORTI PIEDINI PVC DM.21 GB5
	13	I.1.090	SCREW M10X20 SOCKET CAP S/S A2	VITE M10X20 TC A BRUGOLA INOX
	14	CL001.01	RUBBER FOOT LEFT/RIGHT	ZOCCOLINO IN GOMMA DX/SX
	15	C.1.001.2	BODY FRAME GB5 2GR	TELAIO GB5 2GR
C.1.001.3		BODY FRAME GB5 3GR	TELAIO GB5 3GR	
C.1.001.4		BODY FRAME GB5 4GR	TELAIO GB5 4GR	
16	C.1.007	BRACKET HOT WATER GB5	STAFFA ACQUA CALDA GB5	
17	C.2.058.DX	GB5 CONTROL PANEL RIGHT SUPPORT	SUPPORTO DX PANN.INTERRUTTORI GB5 VERNIC	
18	C.1.020.01	ELECTRONIC BOX GB5	SCATOLA ELETTRONICA GB5	
19	903	RAILING CORNER KIT GB5	KIT ANGOLARI GB5	
20	C.1.100.01	PROTECTION CUPWARMER HOLE 170 MM	PROTEZIONE FORO SCALDATAZZE 170 MM	
21	C.1.030.02	PROTECTION CUPWARMER HOLE 116MM	PROTEZIONE FORO SCALDATAZZE 116MM	
<b>Item</b>	<b>Part number/Codice</b>	<b>Description</b>	<b>Descrizione</b>	

# BODY PANEL ASSEMBLY - FB80





la marzocco

handmade in florence

## BODY PANEL ASSEMBLY - FB80

Carrozzeria

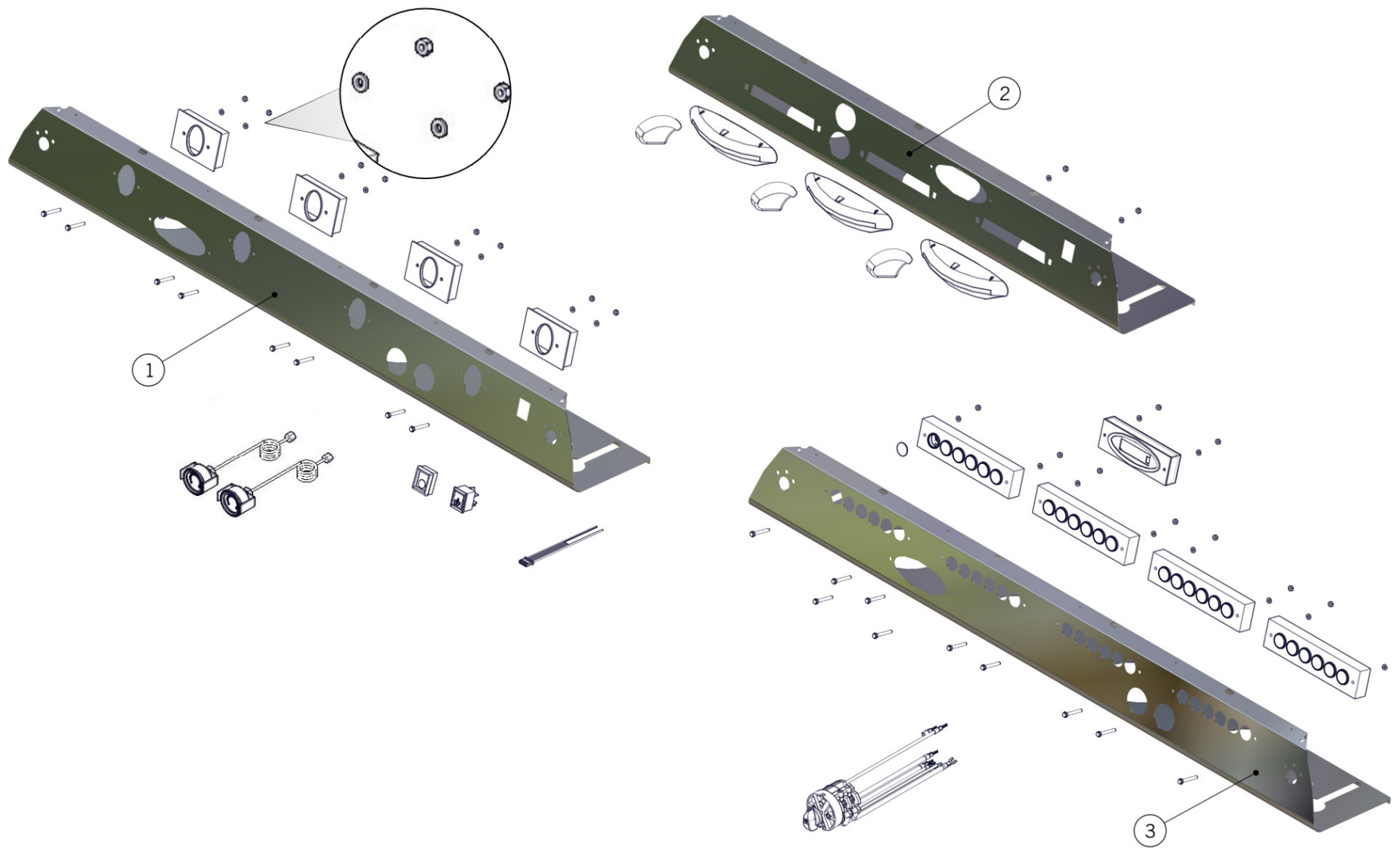
1	C.1.024.2.01	PANEL MAIN SWITCH FB80 2GR	PANN. INTERR.GEN. FB80 2GR
	C.1.024.3.01	PANEL MAIN SWITCH FB80 3GR	PANN. INTERR.GEN. FB80 3GR
	C.1.024.4.01	PANEL MAIN SWITCH FB80 4GR	PANN. INTERR.GEN. FB80 4GR
2	I.1.020	SCREW M6X10 MUSHROOM SLOTTED HEAD S/S A2	VITE M6X10 TPB A TAGLIO INOX A2
3	C.2.011	FB80 LEFT SIDE PANEL RED	FIANCO SX FB80 ROSSO
4	I.1.016	SOCKET GRUB SCREW M5X5 S/S A2	GRANO M5X5 A BRUGOLA INOX A2
5	C.4.001.SX	FB80 LEFT UPPER FRONT CORNER	ANGOLO SUPERIORE FRONTALE SX FB80
6	C.1.023.2	RAILING D10 FB80 2GR	RINGHIERA D10 FB80 2GR
	C.1.023.3	RAILING D10 FB80 3GR	RINGHIERA D10 FB80 3GR
	C.1.023.4	RAILING D10 FB80 4GR	RINGHIERA D10 FB80 4GR
7	C.1.022.2	RAILING D8 FB80 2GR	RINGHIERA D8 FB80 2GR
	C.1.022.3	RAILING D8 FB80 3GR	RINGHIERA D8 FB80 3GR
	C.1.022.4	RAILING D8 FB80 4GR	RINGHIERA D8 FB80 4GR
8	D.1.001	LA MARZOCCO LOGO FOR GB5	LOGO LA MARZOCCO PER GB5
9	C.4.002	FB80 UPPER BACK CORNER	ANGOLO SUPERIORE POSTERIORE FB80
10	C.2.012	PANEL RIGHT SIDE FB80 RED	FIANCATA DX FB80 ROSSO
11	C.4.001.DX	FB80 RIGHT UPPER FRONT CORNER	ANGOLO SUPERIORE FRONTALE DX FB80
12	C.2.013.2	PANEL BACK FB80 2GR RED	PANN. POSTERIORE FB80 2GR ROSSO
	C.2.013.3	PANEL BACK FB80 3GR RED	PANN. POSTERIORE FB80 3GR ROSSO
	C.2.013.4	PANEL BACK FB80 4GR RED	PANN. POSTERIORE FB80 4GR ROSSO
13	C.1.034	PLATE FOR PANEL FB80	PIASTRINA PER PANNELLO FB80
14	C.1.035	PLATE FOR CORNER FB80	PIASTRINA PER ANGOLARE FB80
<b>Item</b>	<b>Part number/Codice</b>	<b>Description</b>	<b>Descrizione</b>



la marzocco

handmade in florence

# CONTROL PANEL ASSEMBLY - AV EE MP





**la marzocco**

handmade in florence

## CONTROL PANEL ASSEMBLY - AV EE MP

### Pannello di Controllo

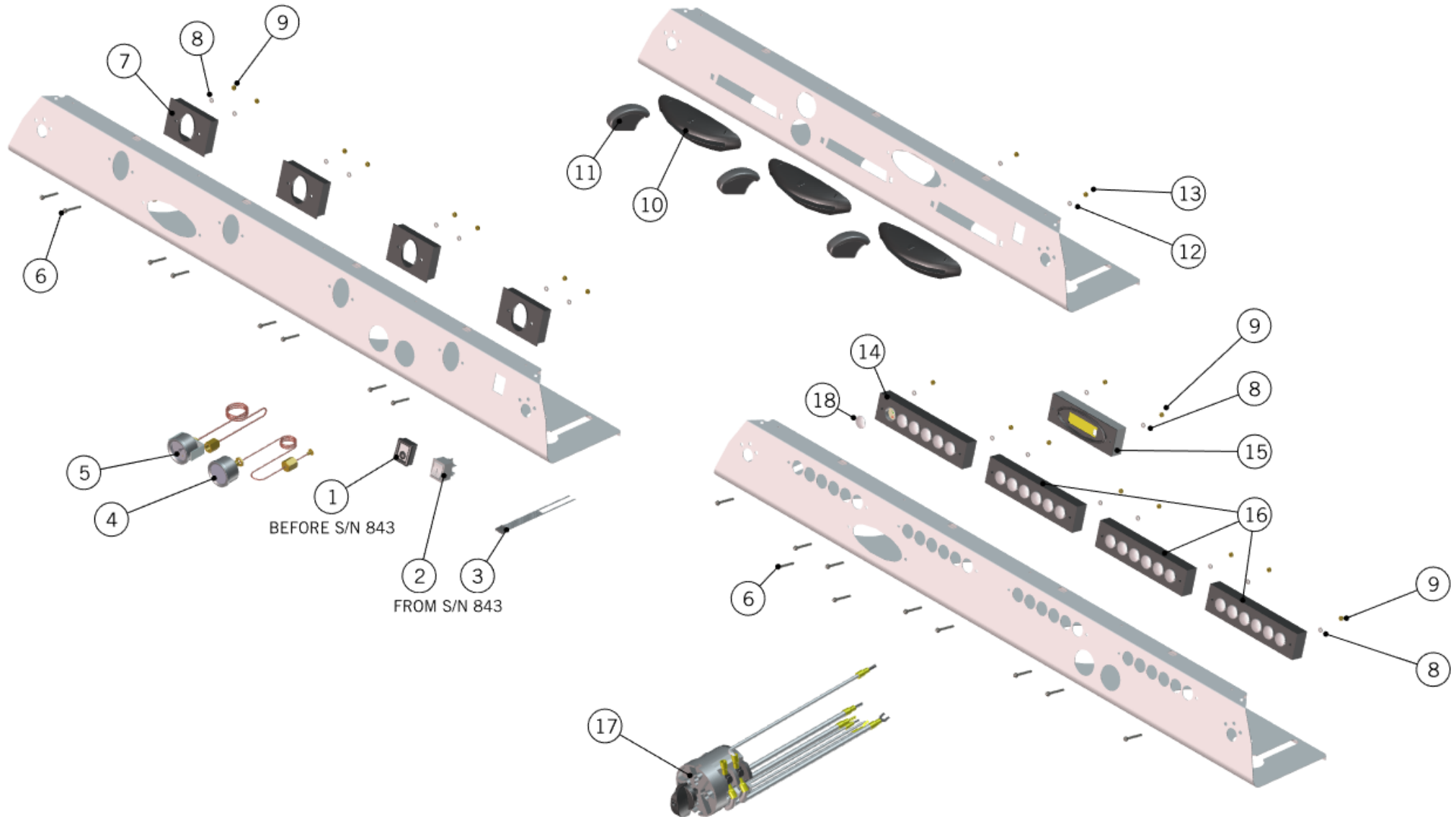
1	C.1.019.2	PANEL CONTROL GB5 2EE	PANNELLO DI COMANDO GB5 2EE
	C.1.019.2.L	PANEL CONTROL GB5 2EE W/LIGHTS	PANNELLO DI COMANDO GB5 2EE C/LUCI
	C.1.019.3	PANEL CONTROL GB5 3EE	PANNELLO DI COMANDO GB5 3EE
	C.1.019.3.L	PANEL CONTROL GB5 3EE W/LIGHTS	PANNELLO DI COMANDO GB5 3EE C/LUCI
	C.1.019.4	PANEL CONTROL GB5 4EE	PANNELLO DI COMANDO GB5 4EE
	C.1.019.4.L	PANEL CONTROL GB5 4EE W/LIGHTS	PANNELLO DI COMANDO GB5 4EE C/LUCI
2	C.1.025.2.01	PANEL CONTROL GB5 2MP	PANNELLO DI COMANDO GB5 2MP
	C.1.025.3.01	PANEL CONTROL GB5 3MP	PANNELLO DI COMANDO GB5 3MP
	C.1.025.4.01	PANEL CONTROL GB5 4MP	PANNELLO DI COMANDO GB5 4MP
3	C.1.008.2	PANEL CONTROL GB5 2AV	PANNELLO DI COMANDO GB5 2AV
	C.1.008.2.L	PANEL CONTROL GB5 2AV W/LIGHTS	PANNELLO DI COMANDO GB5 2AV C/LUCI
	C.1.008.3	PANEL CONTROL GB5 3AV	PANNELLO DI COMANDO GB5 3AV
	C.1.008.3.L	PANEL CONTROL GB5 3AV W/LIGHTS	PANNELLO DI COMANDO GB5 3AV C/LUCI
	C.1.008.4	PANEL CONTROL GB5 4AV	PANNELLO DI COMANDO GB5 4AV
	C.1.008.4.L	PANEL CONTROL GB5 4AV W/LIGHTS	PANNELLO DI COMANDO GB5 4AV C/LUCI
<b>Item</b>	<b>Part number/Codice</b>	<b>Description</b>	<b>Descrizione</b>



la marzocco

handmade in florence

# CONTROL PANEL ASSEMBLY - AV EE MP







**la marzocco**

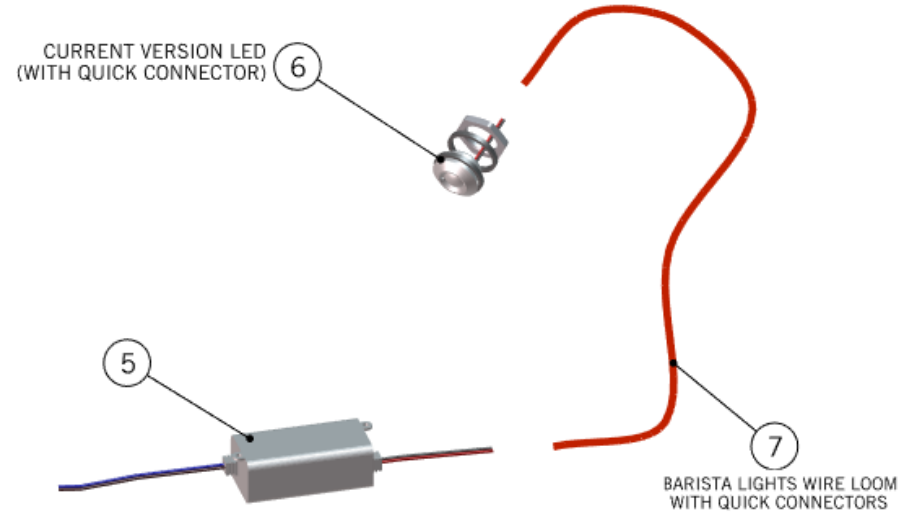
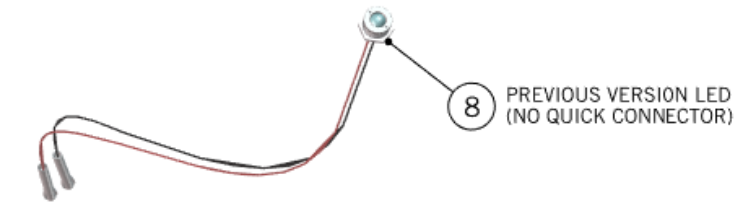
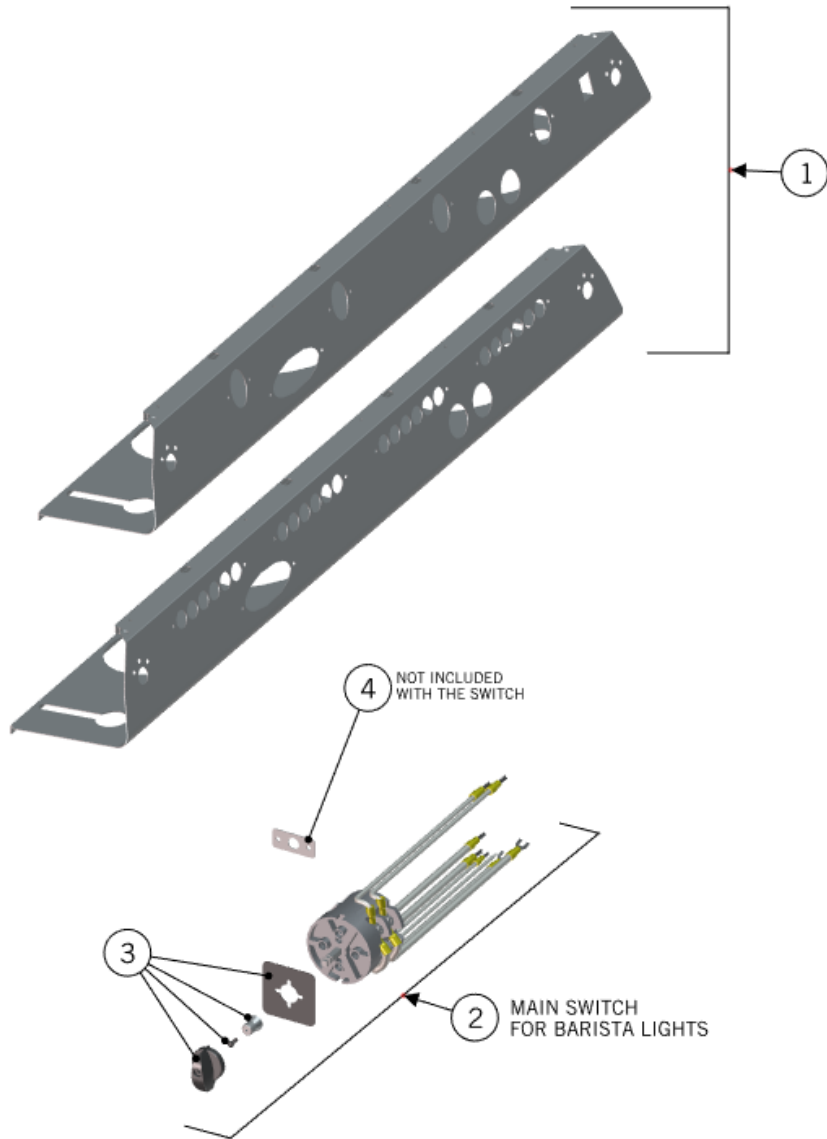
handmade in florence

## CONTROL PANEL ASSEMBLY - AV EE MP

### Pannello di Controllo

1	E.1.008	GB/5 HOT WATER SWITCH	PULSANTE GB/5 ACQUA CALDA
2	L286/1	WHITE PUSH BUTTON WITH STEAM	PULSANTE TASTO BIANCO VAP.NERO
3	E.4.011.1	TEA CABLE EXTENSION	PROLUNGA CAVO TE'
4	E.3.001.02	PRESSURE GAUGE 0-18 BEIGE W/CAPILLARY	MANOMETRO 0-18 BEIGE C/CAPILLARE
5	E.3.002.01	PRESSURE GAUGE 0-3 BEIGE W/CAPILLARY	MANOMETRO 0-3 BEIGE C/CAPILLARE
6	I.2.001.01	KEYPAD SCREW	VITI FISSAGGIO PULSANTIERA C/ESAGONO
7	E.1.007	GB5 EE BUTTON	PULSANTE GB5 EE
8	ROND_DENT_4	TOOTH LOCK WASHER 4X8X1 GALVANIZED	ROND.DENTATA 4X8X1 ZINCATA
9	DADO4M	NUT M4 H3 WR7 BRASS	DADO M4 H3 CH7 OTTONE
10	C.2.031	BAKELITE FRAME FOR GB/5 PADDLE	MOSTRINA PADDLE GB/5 BAKELITE
11	C.2.030	GB/5 BAKELITE PADDLE HANDLE	MANIGLIA PADDLE GB/5 BAKELITE
12	I.1.004	SCREW M3X8 SOCKET COUNTERSUNK S/S A2	VITE M3X8 TS A BRUGOLA INOX A2
13	DADO3AUTOBL	SELF LOCK NUT M3 H4 WR5,5 GALVANIZED	DADO AUTOBL. M3 H4 CH5,5 ZINCATO
14	E.1.002	PROG KEYPAD GB/5	PULSANTIERA PROGR. GB/5 ON OFF
15	E.1.004	DISPLAY LCD GREEN GB5 W/BOX	DISPLAY LCD VERDE GB5 C/SCATOLA
16	E.1.003	STANDARD KEYPAD GB/5	PULSANTIERA GB/5 THE
17	E.2.001.03	SWITCH DOUBLE-POLE 40A W/WIRES	INTERRUTTORE BIPOLARE 40A C/CAVI
	E.2.002.03	SWITCH TRIPLE-POLE 20A W/WIRES	INTERRUTTORE TRIPOLARE 20A C/CAVI
	E.2.069	SWITCH TRIPLE-POLE 32A W/WIRES	INTERRUTTORE TRIPOLARE 32A C/CAVI
18	F.1.045	GB5 KEY BOTTOM COVER	COPRITASTO AD INCASTRO PULSANTIERA GB5
<b>Item</b>	<b>Part number/Codice</b>	<b>Description</b>	<b>Descrizione</b>

# CONTROL PANEL ASSEMBLY - BARISTA LIGHTS





**la marzocco**

handmade in florence

## CONTROL PANEL ASSEMBLY - BARISTA LIGHTS

### Pannello di Controllo

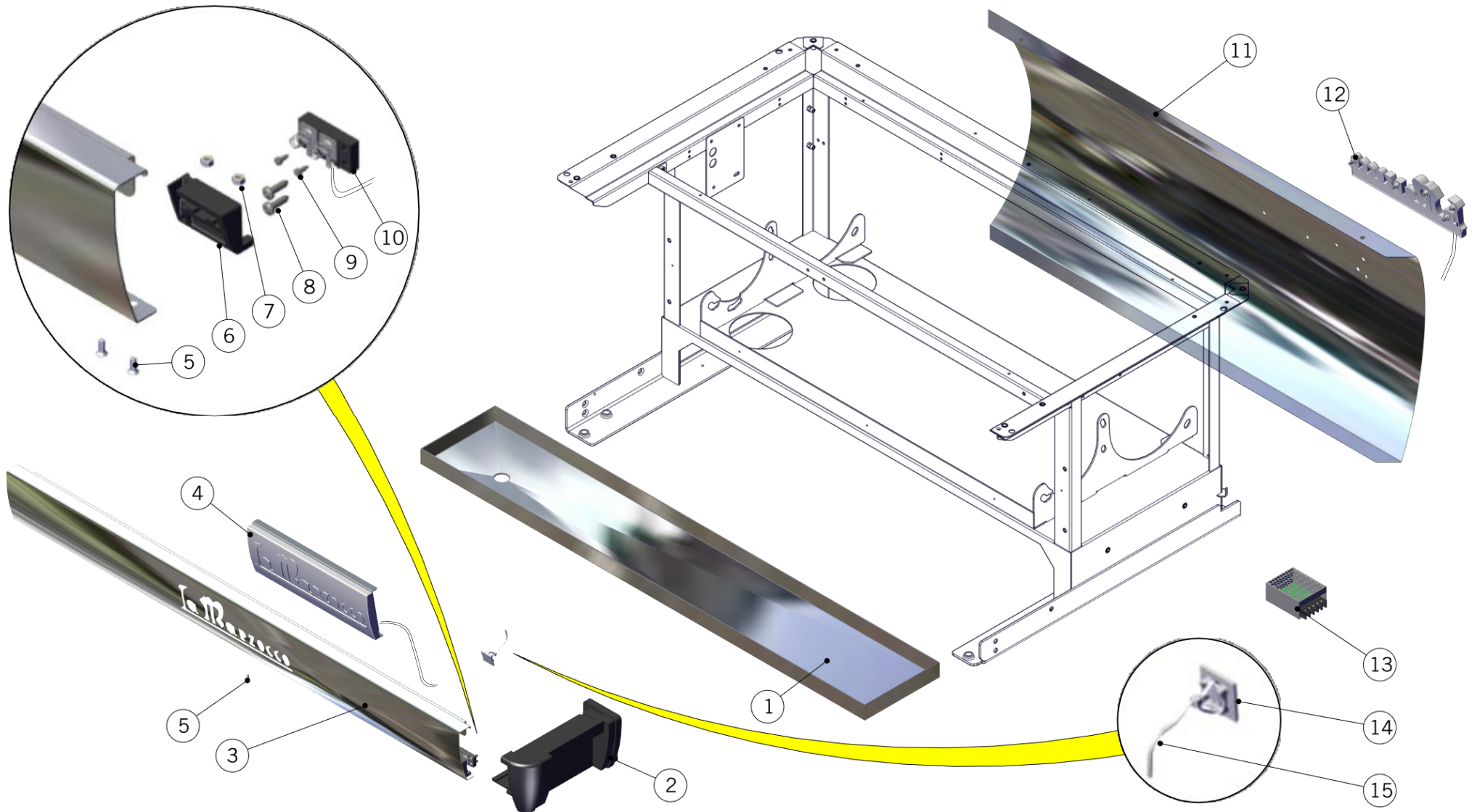
1	C.1.008.2.L	PANEL CONTROL GB5 2AV W/LIGHTS	PANNELLO DI COMANDO GB5 2AV C/LUCI
	C.1.008.3.L	PANEL CONTROL GB5 3AV W/LIGHTS	PANNELLO DI COMANDO GB5 3AV C/LUCI
	C.1.008.4.L	PANEL CONTROL GB5 4AV W/LIGHTS	PANNELLO DI COMANDO GB5 4AV C/LUCI
	C.1.019.2.L	PANEL CONTROL GB5 2EE W/LIGHTS	PANNELLO DI COMANDO GB5 2EE C/LUCI
	C.1.019.3.L	PANEL CONTROL GB5 3EE W/LIGHTS	PANNELLO DI COMANDO GB5 3EE C/LUCI
	C.1.019.4.L	PANEL CONTROL GB5 4EE W/LIGHTS	PANNELLO DI COMANDO GB5 4EE C/LUCI
2	E.2.001.03	SWITCH DOUBLE-POLE 40A W/WIRES	INTERRUTTORE BIPOLARE 40A C/CAVI
	E.2.002.03	SWITCH TRIPLE-POLE 20A W/WIRES	INTERRUTTORE TRIPOLARE 20A C/CAVI
3	F.1.060	KNOB+LABEL FORL400/32/4.01-L400/17/12.01	MANOPOLA+ET. L400/32/4.01-L400/17/12.01
4	C.1.162	LINEA PB SWITCH METAL PLATE	PIASTRINA INTERR. LINEA PB
5	E.4.024.01.R	KIT BARISTA LIGHTS ETL POWER S. W/WIRING	KIT ALIMENTATORE ETL LUCI BARISTA C/CAVI
	E.4.254.R	KIT BARISTA LIGHTS ETL POWER S. W/WIRING	KIT ALIMENTATORE ETL LUCI BARISTA C/CAVI
6	E.4.023.02.R	WHITE LED 16MM W/CONNECTOR + KIT WASHER	LED 16MM BIANCO C/CONNETTORE + KIT ROND.
7	E.4.020.02	2 GR C/FASTON/ WIRING FOR BARISTA LIGHT	CABLAGGIO KIT LUCI 2 GR C/FASTON
	E.4.021.02	3 GR C/FASTON/ WIRING FOR BARISTA LIGHT	CABLAGGIO KIT LUCI 3 GR C/FASTON
8	E.4.023.01.R	WHITE LED 16 MM LXML-PWC2 CABLED	LED 16MM BIANCO LXML-PWC2 boccia+rond.
<b>Item</b>	<b>Part number/Codice</b>	<b>Description</b>	<b>Descrizione</b>



la marzocco

handmade in florence

# CONTROL PANEL ASSEMBLY - LOGO LIGHTS





la marzocco

handmade in florence

## CONTROL PANEL ASSEMBLY - LOGO LIGHTS

### Pannello di Controllo

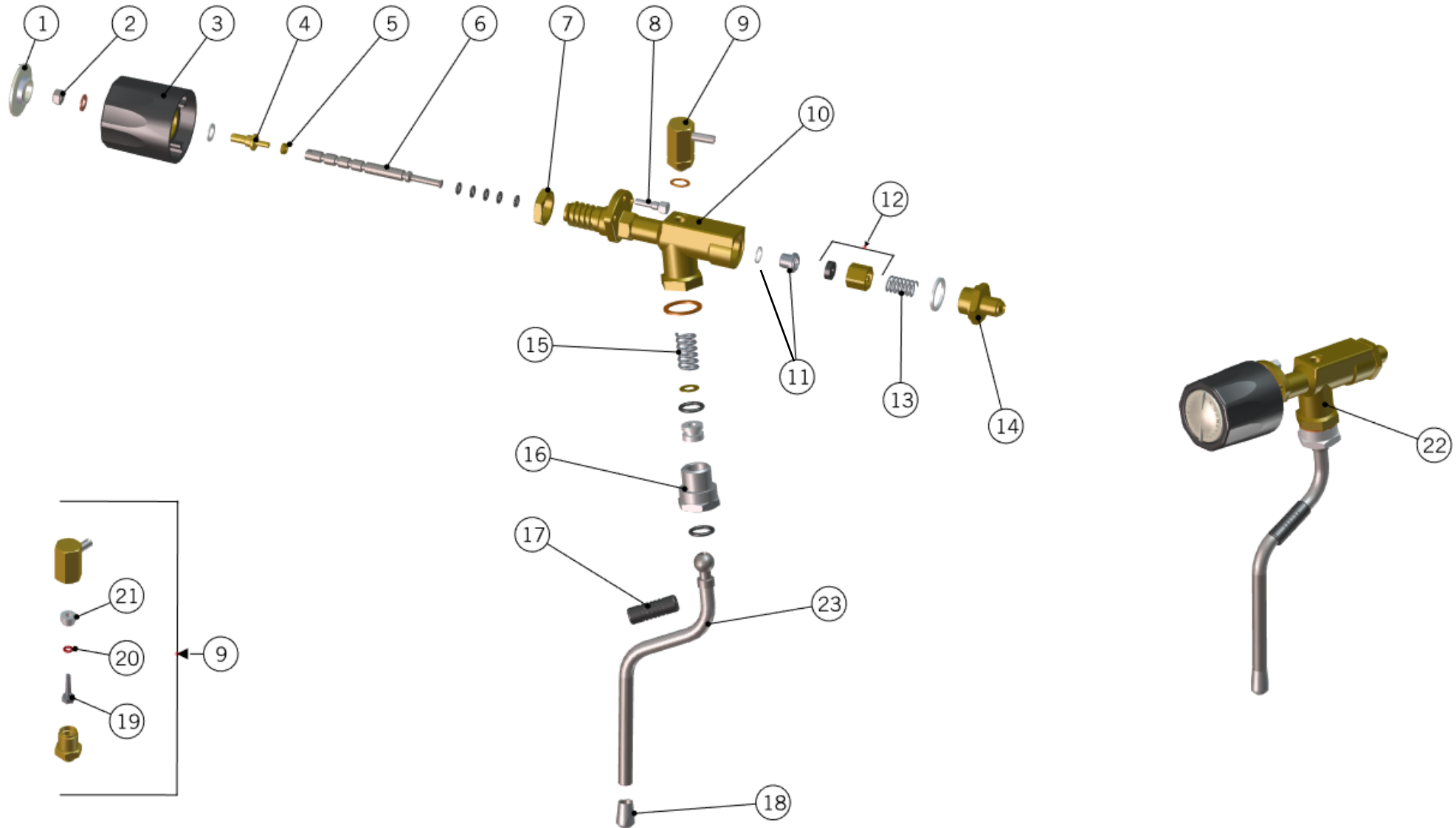
1	C.1.213.2	TRAY DRAIN GB5 2GR LIGHTED LOGO	BACINELLA GB5 2GR LOGO LUMINOSO
	C.1.213.3	TRAY DRAIN GB5 3GR LIGHTED LOGO	BACINELLA GB5 3GR LOGO LUMINOSO
	C.1.213.4	TRAY DRAIN GB5 4GR LIGHTED LOGO	BACINELLA GB5 4GR LOGO LUMINOSO
2	C.2.062	GB5 RIGHT DRAIN TRAY CORNER LIT LOGO	ANGOLO VASCA DX GB5 LOGO LUMINOSO VERNIC
3	C.1.330.2	2GR DRAIN TRAY FRONT COVER W/CUT LOGO	FRONTALE BACINELLA 2GR C/LOGO TRAFORATO
	C.1.330.3	3GR DRAIN TRAY FRONT COVER W/CUT LOGO	FRONTALE BACINELLA 3GR C/LOGO TRAFORATO
	C.1.330.4	4GR DRAIN TRAY FRONT COVER W/CUT LOGO	FRONTALE BACINELLA 4GR C/LOGO TRAFORATO
4	D.6.002	LIT LOGO DRIP TRAY COVER GB5/FB80	LOGO LUMINOSO BACINELLA GB5/FB80
5	I.1.004	SCREW M3X8 SOCKET COUNTERSUNK S/S A2	VITE M3X8 TS A BRUGOLA INOX A2
6	F.1.073	SUPPORTO CONTATTI A BOTTONE	SUPPORTO CONTATTI A BOTTONE
7	DADOINOXM3	NUT M3 H2 WR5,5 S/S A2	DADO M3 H2 CH5,5 INOX A2
8	I.1.062	SELFTAP. SCREW 3,5X13 PHIL.ROUND-PAN S/S	VITEAUT. 3,5X13 TCB A CROCE INOX A2
9	I.1.086	SELFTAP.SCREW 2,2X6,5 PHIL.ROUND-PAN S/S	VITEAUT. 2,2X6,5 TCB A CROCE INOX A2
10	F.1.074	SUPPORTO CONTATTI CON MOLLA	SUPPORTO CONTATTI CON MOLLA
11	C.1.015.2.01	PANEL BACK GB5 2GR	PANNELLO POSTERIORE GB5 2GR
	C.1.015.3.01	PANEL BACK GB5 3GR	PANNELLO POSTERIORE GB5 3GR
	C.1.015.4.01	PANEL BACK GB5 4GR	PANNELLO POSTERIORE GB5 4GR
12	D.6.001	BACKLIT LA MARZOCCO LOGO GB5/FB80	LOGO LAMARZOCCO RETROILLUMINATO GB5/FB80
13	E.2.045	POWER SUPPLY 12VDC 1,3A LOGO LEDS	ALIMENTATORE 12VDC 1,3A LUCI LOGO
14	5.V010	FASTENER ADHESIVE SUPPORT	INCOLLINO
15	L338/L100.01	CABLE TIE 120x2,5MM HIGH TEMPERATURE	FASCETTA FERMAFILO 120x2,5MM ALTE TEMP.
<b>Item</b>	<b>Part number/Codice</b>	<b>Description</b>	<b>Descrizione</b>



la marzocco

handmade in florence

# STEAM WAND ASSEMBLY





la marzocco

handmade in florence

# STEAM WAND ASSEMBLY

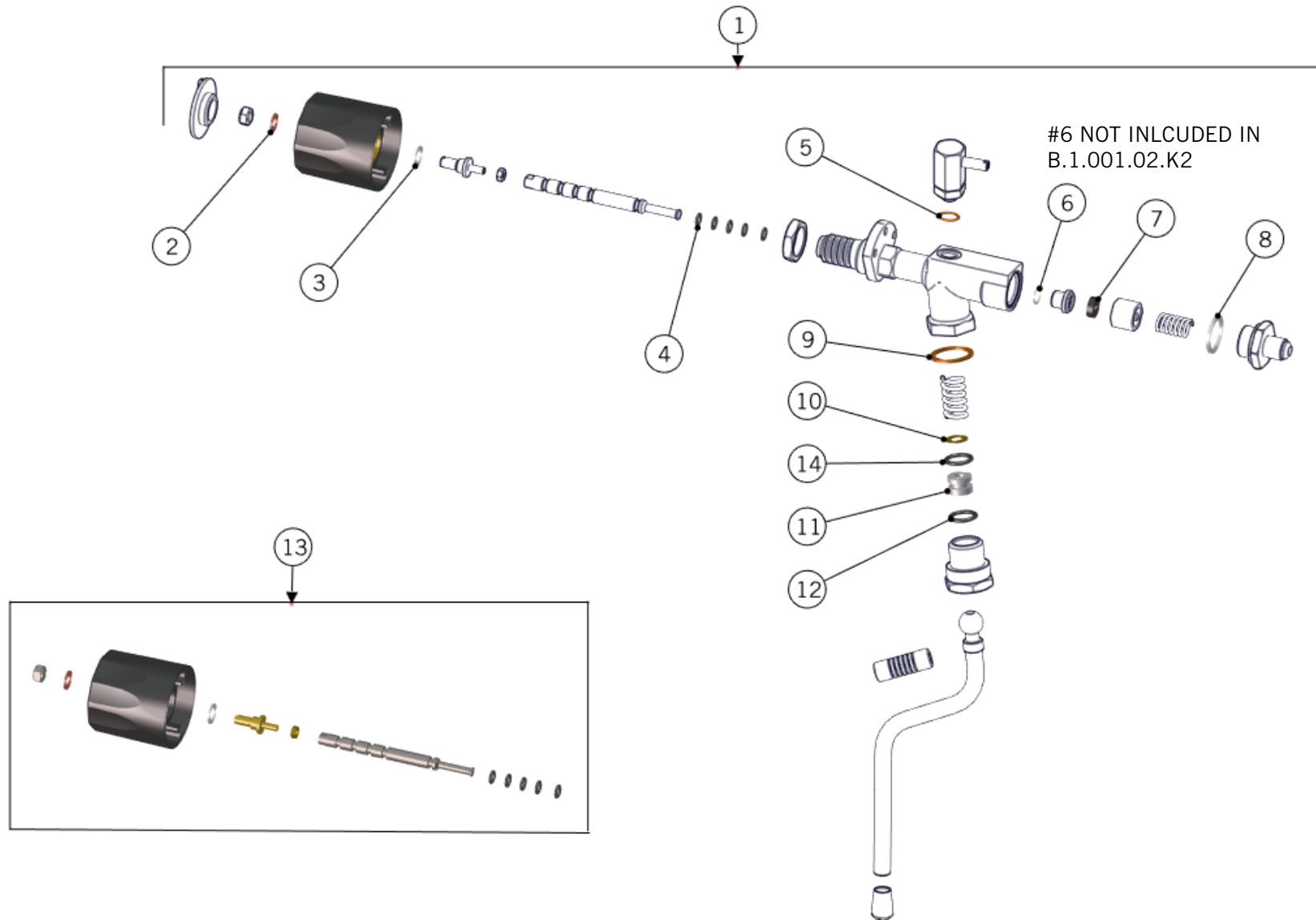
Lancia - Rubinetto Vapore

1	F.1.007	CAP M20X1,5 KNOB STEAM VALVE GB5	TAPPO M20X1,5 MANOPOLA VAPORE GB5
2	I.1.046	SELF LOCK NUT M6 H5 WR10 S/S A2	DADO AUTOBLOCCANTE M6 H5 CH10 INOX A2
3	F.1.006.01	STEAM VALVE KNOB GB5 NEW VERSION	MANOPOLA RUBINETTO VAPORE GB5 NUOVA
4	A.1.022	STEAM VALVE SHAFT EXTENSION	PROLUNGA ASTA RUBINETTO VAPORE
5	DADO4M	NUT M4 H3 WR7 BRASS	DADO M4 H3 CH7 OTTONE
6	A.1.002.01	GB5 STEAM VALVE SHAFT D8 W/M4 HOLE	ASTA D8 C/FORO M4 RUBINETTO VAPORE GB5
7	L037/D	NUT G1/2 H6 WR24 BRASS	DADO G1/2 H6 CH24 OTTONE
8	I.1.015	SCREW M6X18 HEX HEAD S/S A2	VITE M6X18 TE INOX A2
9	L192.02	VACUUM BREAKER VALVE G1/8M TREATED	VALVOLA ANTI-DEPRESSIONE G1/8M TRATTATA
10	A.1.001.01.R	COMPLETE STEAM VALVE BODY	CORPO RUBINETTO VAPORE GB5 COMPLETO
11	F.3.007.R	S/S STEAM VALVE SEAT W/GASKET	SEDE AISI 316 PER RUB. GB/5
12	B.2.010	STEAM VALVE SEAL ASSEMBLY	ASSIEME TENUTA RUBINETTO VAPORE
13	F.3.005.01	SPRING COMPRESSION 1,2X11,7X29,5 S/S	MOLLA A COMPRESSIONE 1,2X11,7X29,5 INOX
14	A.1.003.01	GB5 STEAM VALVE INLET FITTING TREATED	RACCORDO INGRESSO RUB. VAP. GB5 TRATTATO
15	F.3.004	SPRING COMPRESSION 2X14,6X26,5 S/S	MOLLA A COMPRESSIONE 2X14,6X25 INOX
16	A.1.005	STEAM WAND ADAPTOR	RACC. 1/2 PER TUBO VAP GB/5
17	L171/G	STEAM WAND RUBBER	GOMMINO ANTISCOTTAT. TUBO VAP.
18	L173	STEAM TIP D1,5	SPRUZZATORE VAPORE D1,5
	L173TF	PORTAFLON-COATED STEAM WAND TIP	SPRUZZATORE INOX X TUBO VAPORE
19	B.2.013.01	ANTI-SUCTION VALVE SHAFT TREATED	ALBERINO V. ANTIRISUCCHIO TRATTATA
20	F.2.019	O-RING 1,78X3,68 SILICONE 70 SH	O-RING 1,78X3,68 SILICONE 70 SH
21	B.3.001	BUSHING FLANGED 5X9X6,5 PTFE	BOCCOLA FLANGIATA 5X9X6,5 PTFE
22	B.1.001.02.R	GB5 STEAM VALVE VERS.02 COMPL. WITH WASH	RUBINETTO VAPORE INCLINATO VERS. 02
23	T.2.001	STEAM WAND S/S	LANCIA VAPORE INOX
<b>Item</b>	<b>Part number/Codice</b>	<b>Description</b>	<b>Descrizione</b>



la marzocco  
handmade in florence

# STEAM WAND ASSEMBLY







la marzocco

handmade in florence

# STEAM WAND ASSEMBLY

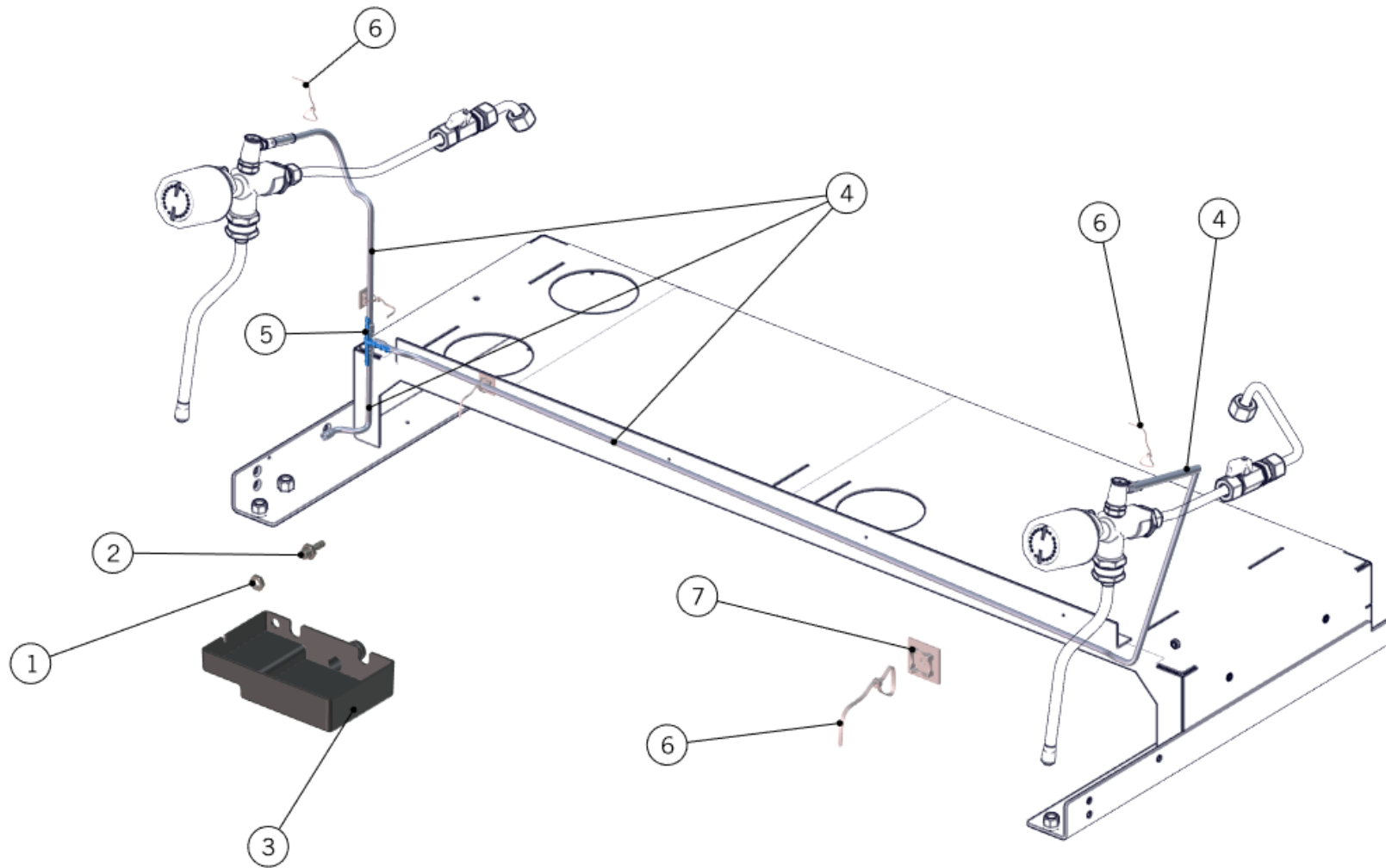
Lancia - Rubinetto Vapore	1	B.1.001.02.K2	REBUILD KIT STEAM VALVE GB5 / PB	KIT MANUTENZIONE RUBINETTO VAPORE GB5/PB
	2	L120/2A	WASHER 6,3X12X1 COPPER	RONDELLA 6,3X12X1 RAME
	3	F.1.033	PTFE WASHER D13mm	RONDELLA TEFLON DIA 13 X RUB VAP
	4	H.1.005	O-RING 1,90X4,90 FKM 75SH	O-RING 1,90X4,90 FKM 75SH
	5	L100/D	WASHER 10X14X1,5 COPPER	RONDELLA 10X14X1,5 RAME
	6	F.4.001	TEFLON GASKET 12X9.8X1 (NOT INCLUDED IN B.1.001.02.K2)	GUARNIZIONE TEFLON 12X9.8X1
	7	H.2.001	STEAM VALVE SEAL GASKET	GUARNIZIONE TENUTA RUBINETTO VAP.
	8	H.2.002	PTFE GASKET 24X19X2mm	GUARNIZIONE PTFE 24X19X2mm
	9	L260/1A	WASHER 21X27X1,5 COPPER	RONDELLA 21X27X1,5 RAME
	10	I.4.001	BRASS WASHER 14x7x0.5	RONDELLA OTTONE 14x7x0.5
	11	H.2.003	PTFE STEAM WAND SEAL	GUARN. PTFE PER SNODO TUBO VAP
	12	H.1.003	O-RING 2,62X13,11 FKM 70 SH	O-RING 2,62X13,11 FKM 70 SH
	13	B.1.001.02.K	RETROFIT KIT FOR GB5 STEAM VALVE .02	KIT RICAMBI RETROFIT COMPL RUB VAP .02
	14	H.1.004	O-RING 2,62x10,77 EPDM 85 SH	O-RING 2,62x10,77 EPDM 85 SH
Item	Part number/Codice		Description	Descrizione



la marzocco

handmade in florence

# ANTI-SUCTION STEAM VALVE KIT





**la marzocco**

handmade in florence

## ANTI-SUCTION STEAM VALVE KIT

1	L292/R	NUT G1/8 H4,5 WR14 BRASS NICKEL PLATED	DADO G1/8 H4,5 CH14 OT.NICH.(PORTAGOMMA)
2	L292	GS/3 TUBE FITTING	PORTAGOMMA GS/3
3	F.1.002.03	GB5 DRAIN BOX	POZZETTO DI SCARICO GB5
4	T.4.001	ANTISUCTION VALVE SILICONE TUBE	TUBO SILICONE 5X8 V. ANTIRISUCCHIO
5	A.7.001.01	T FITTING FOR SILICONE TUBE	PORTAGOMMA A T PER TUBO SILICONE
7	L338/L100.01	CABLE TIE 120x2,5MM HIGH TEMPERATURE	FASCETTA FERMAFILO 120x2,5MM ALTE TEMP.
7	5.V010	FASTENER ADHESIVE SUPPORT	INCOLLINO
<b>Item</b>	<b>Part number/Codice</b>	<b>Description</b>	<b>Descrizione</b>

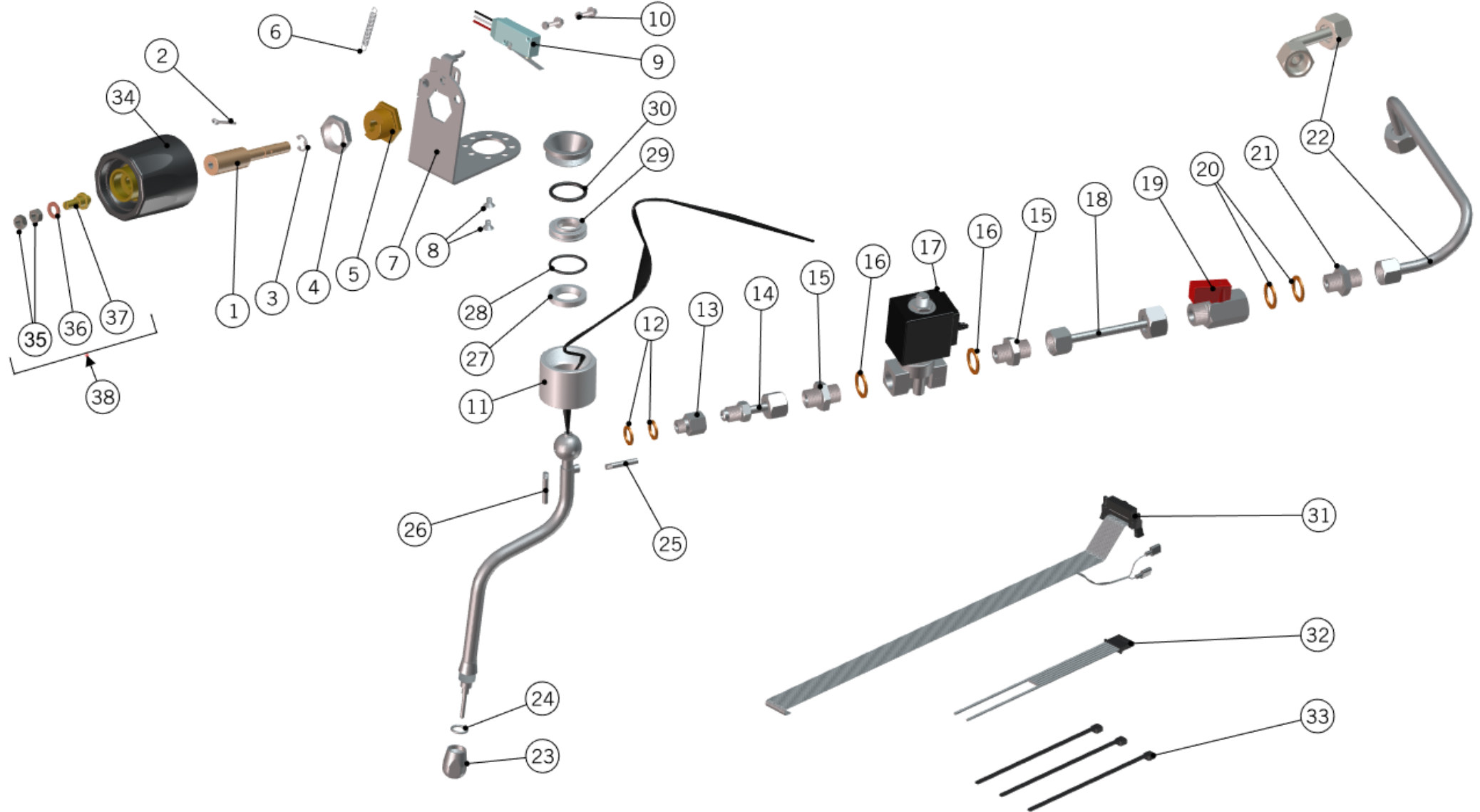


la marzocco

handmade in florence

# AUTOSTEAM ASSEMBLY

ONLY FOR  
S/N 0001 TO 018634





la marzocco

handmade in florence

# AUTOSTEAM ASSEMBLY

Autosteam

1	A.1.007.01	CAM SHAFT AUTOSTEAM	ALBERO A CAMME AUTOSTEAM ACCIAIO
2	L165/8	COTTER PIN	COPPIGLIA FERMO VOLANTINO INOX
3	I.1.023	SEEGER RING	ANELLO SEEGER PER ALBERO AUT.
4	L037/D	NUT G1/2 H6 WR24 BRASS	DADO G1/2 H6 CH24 OTTONE
5	A.1.008	AUTOSTEAM SHAFT SUPPORT	SUPPORTO ALBERO PER AUTOSTEAM
6	I.5.001	SPRING EXTENSION 0,65X4,6X12 S/S	MOLLA A TRAZIONE 0,65X4,6X12 INOX
7	C.1.058.DX	AUTOSTEAM WAND SUPPORT W/SWITCH BRACKET	SUPPORTO LANCIA AUTOSTEAM C/STAFFA MICRO
	C.1.058.SX	AUTOSTEAM WAND SUPPORT (SX)	SUPPORTO LANCIA AUTOSTEAM SX
8	I.1.057	SCREW M4X8 PHILLIPS COUNTERSUNK S/S A2	VITE M4X8 TS A CROCE INOX A2
9	E.2.039	MICROSWITCH KIT WITH LUGS	KIT MICROINTERRUTTORE C/CAPICORDA
10	DADO3M	NUT M3 H3 WR5,5 BRASS	DADO M3 H3 CH5,5 OTTONE
	RONDELLA4X9	WASHER 4X9X0,8 BRASS	RONDELLA 4X9X0,8 OTTONE
	VITE3X16	SCREW M3X16 CHEESE BRASS	VITE M3X16 TC A TAGLIO OTTONE
11	T.2.002.01	STEAM WAND S/S GB5 W/PROBE	LANCIA VAPORE INOX GB5 C/SONDA
12	L100/D	WASHER 10X14X1,5 COPPER	RONDELLA 10X14X1,5 RAME
13	L100/C.01	FITTING G1/8F - G1/8M WR14 BRASS TREATED	RACCORDO G1/8F - G1/8M CH14 OTTONE TR.
14	T.1.002	SOLENOID VALVE T TUBE	TUBO T - EV RIEMP.
15	L037/3.01	NIPPLE G1/4M-G1/4M WR19 H25.5 BRASS TR.	NIPPLO G1/4M-G1/4M CH19 H25.5 OT. TR.
16	L100/1A	WASHER 13,5X19X1,5 COPPER	RONDELLA 13,5X19X1,5 RAME
17	B.2.009.01	SOLENOID VALVE 3 WAY D5,5 220V AUTOSTEAM	ELETTRIVALVOLA 3 VIE D5,5 220V AUTOSTEAM
18	T.1.050.01	TUBE RIGHT BALL V.-AUTOST.SOLENOID V.TR.	TUBO RUB.SFERA DX-EV AUTOSTEAM TRATTATO
	T.1.050.SX	TUBE LEFT BALL V.-AUTOSTEAM SOLENOID V.	TUBO RUB.SFERA SX - EV AUTOSTEAM
19	L164.02	BALL VALVE G3/8M-G3/8F BRASS TREATED	RUBINETTO A SFERA G3/8M-G3/8F OTTONE TR.
20	L180/1	WASHER 22X17X1,5 COPPER	RONDELLA 17X22X1,5 RAME
21	L305/N.01	NIPPLE G3/8M-G3/8M WR20 H31 BRASS TR.	NIPPLO G3/8M-G3/8M CH20 H31 OTTONE TR.
<b>Item</b>	<b>Part number/Codice</b>	<b>Description</b>	<b>Descrizione</b>



**la marzocco**

handmade in florence

# AUTOSTEAM ASSEMBLY

Item	Part number/Codice	Description		Descrizione
22	T.1.010.01	TUBE STEAM B. - LEFT BALL VALVE TR. GB5	TUBO C.VAPORE - RUB.SFERA SX TRATT. GB5	
	T.1.020.01	TUBE STEAM B. - RIGHT BALL V. TREATED	TUBO C.VAPORE - RUB.SFERA DX TRATTATO	
23	L177	AUTOSTEAM TIP	ROMPIGETTO LANCIA AUTOSTEAM	
24	F.2.016	O RING NBR DIA INT 8.73 X AUTOSTEAM	O RING NBR DIA INT 8.73 X AUTOSTEAM	
25	I.1.022.C	PIN MECHANICAL STOP M4X22 S/S	PERNO DI BATTUTA M4X22 INOX	
26	I.1.022	PIN MECHANICAL STOP M4X24 S/S	PERNO DI BATTUTA M4X24 INOX	
27	F.4.004	PTFE GASKET FOR AUTOSTEAM TEFLON	GUARN.INF. PTFE X AUTOSTEAM TEFLON	
28	F.4.003	ORING 2093 X AUTOSTEAM VITON	ORING 2093 X AUTOSTEAM VITON	
29	F.4.002	UPPER GASKET TEFLON AUTOSTEAM WAND	GUARNIZIONE SUP. TEFLON LANCIA X AUTO	
30	F.2.015	ORING NBR FOR AUTOSTEAM INT DIAM 3/4	ORING NBR X AUTOSTEAM DIA INT 3/4	
31	LAD3D5/A	SWITCH CPU FLAT CABLE	CAVO PULSANTIERA 3D5 CM.140	
32	E.4.017	SOLENOID VALVE WIRING CABLE	CABLAGGIO ALIM. EV AUTOSTEAM	
33	5.V001	10-32 UNF X 1/2 TRUSS HEAD	10-32 UNF X 1/2 TRUSS HEAD	
34	F.1.006.01	STEAM VALVE KNOB GB5 NEW VERSION	MANOPOLA RUBINETTO VAPORE GB5 NUOVA	
35	I.1.049	NUT M6 H5 WR10 S/S A2	DADO M6 H5 CH10 INOX A2	
36	L165/9	WASHER 6,5X18X1,5 GALVANIZED	RONDELLA 6,5X18X1,5 ZINCATA	
37	A.1.025	GB5 AUTOSTEAM VALVE SHAFT EXTENSION	PROLUNGA ALBERO AUTOSTEAM GB5	
38	A.1.025.KIT	AUTOSTEAM KNOB RETROFIT KIT	RETROFIT KIT MANOPOLA AUTOSTEAM	

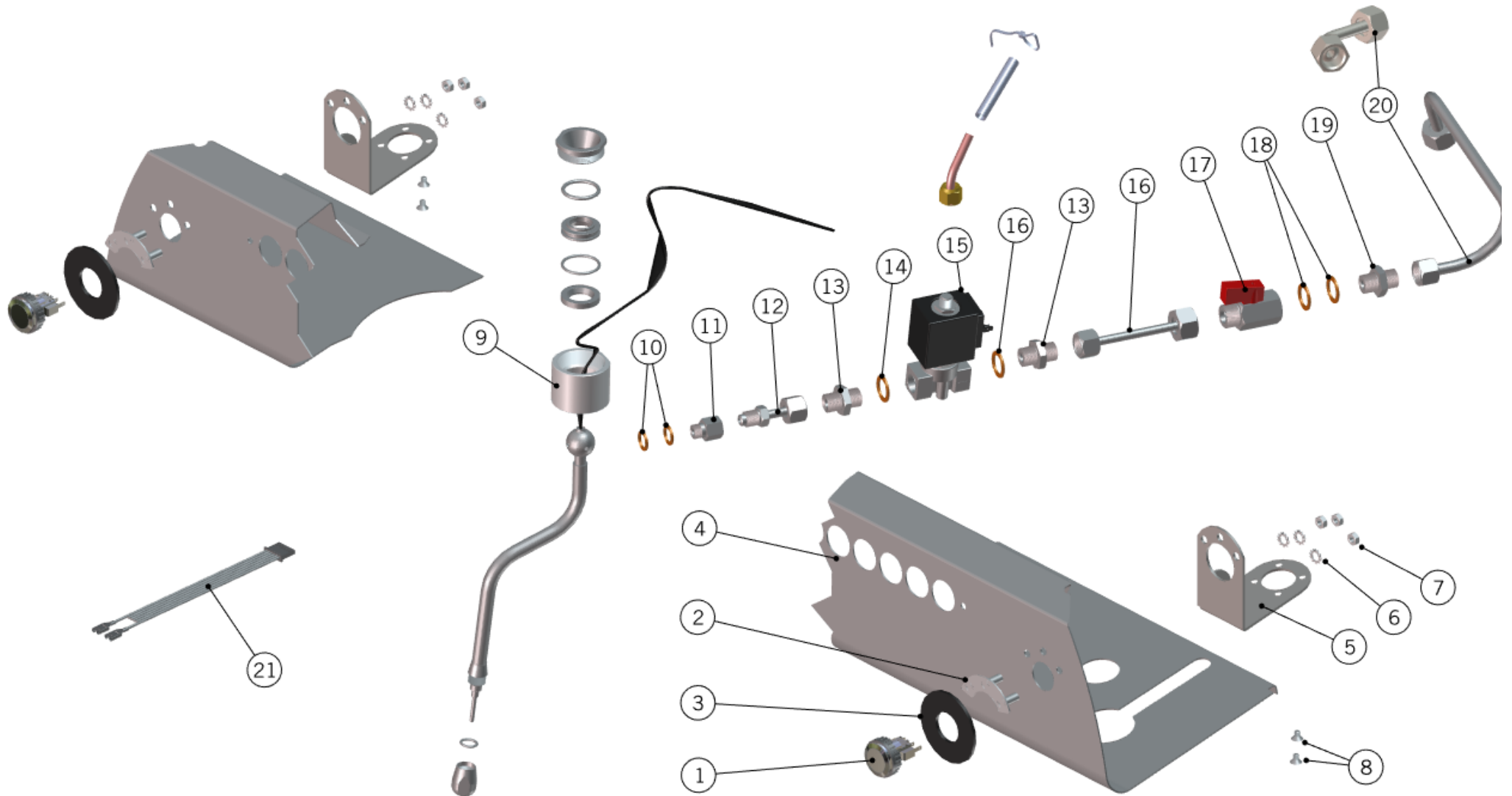
**Autosteam**



**la marzocco**  
handmade in florence

# AUTOSTEAM ASSEMBLY

ONLY FROM  
S/N 018635





**la marzocco**

handmade in florence

# AUTOSTEAM ASSEMBLY

**Autosteam**

1	E.2.041	S/S SWITCH W/RED LED	INTERRUTTORE INOX C/LED ROSSO
2	C.1.362	BUTTON PLATE AUTOSTEAM	PIASTRINA PULSANTE AUTOSTEAM
3	C.1.364	COVER BUTTON PLATE AUTOSTEAM	COPRI PIASTRINA PULSANTE AUTOSTEAM
4	C.1.365.2	AUTOSTEAM PANEL CONTROL GB5 2AV	PANNELLO DI COMANDO GB5 2AV AUTOSTEAM
	C.1.365.2.L	AUTOSTEAM PANEL CONTROL GB5 2AV W/LIGHTS	PANNELLO COMANDO GB5 2AV AUTOSTEAM LUCI
	C.1.365.3	AUTOSTEAM PANEL CONTROL GB5 3AV	PANNELLO DI COMANDO GB5 3AV AUTOSTEAM
	C.1.365.3.L	AUTOSTEAM PANEL CONTROL GB5 3AV W/LIGHTS	PANNELLO COMANDO GB5 3AV AUTOSTEAM LUCI
	C.1.365.4	AUTOSTEAM PANEL CONTROL GB5 4AV	PANNELLO DI COMANDO GB5 4AV AUTOSTEAM
	C.1.365.4.L	AUTOSTEAM PANEL CONTROL GB5 4AV W/LIGHTS	PANNELLO COMANDO GB5 4AV AUTOSTEAM LUCI
5	C.1.363.DX	BRACKET AUTOSTEAM WAND	STAFFA LANCIA AUTOSTEAM
6	I.1.075	TOOTH LOCK WASHER 6X10,5X1,5 S/S A2	ROND.DENTATA 6X10,5X1,5 INOX A2
7	DADO5M_INOX	NUT M5 H4 WR8 S/S A2	DADO M5 H4 CH8 INOX A2
8	I.1.057	SCREW M4X8 PHILLIPS COUNTERSUNK S/S A2	VITE M4X8 TS A CROCE INOX A2
9	T.2.002.01	STEAM WAND S/S GB5 W/PROBE	LANCIA VAPORE INOX GB5 C/SONDA
10	L100/D	WASHER 10X14X1,5 COPPER	RONDELLA 10X14X1,5 RAME
11	L100/C.01	FITTING G1/8F - G1/8M WR14 BRASS TREATED	RACCORDO G1/8F - G1/8M CH14 OTTONE TR.
12	T.1.002	SOLENOID VALVE T TUBE	TUBO T - EV RIEMP.
13	L037/3.01	NIPPLE G1/4M-G1/4M WR19 H25.5 BRASS TR.	NIPPLO G1/4M-G1/4M CH19 H25.5 OT. TR.
14	L100/1A	WASHER 13,5X19X1,5 COPPER	RONDELLA 13,5X19X1,5 RAME
15	B.2.009.01	SOLENOID VALVE 3 WAY D5,5 220V AUTOSTEAM	ELETTROVALVOLA 3 VIE D5,5 220V AUTOSTEAM
16	T.1.050.01	TUBE RIGHT BALL V.-AUTOST.SOLENOID V.TR.	TUBO RUB.SFERA DX-EV AUTOSTEAM TRATTATO
	T.1.050.SX	TUBE LEFT BALL V.-AUTOSTEAM SOLENOID V.	TUBO RUB.SFERA SX - EV AUTOSTEAM
17	L164.02	BALL VALVE G3/8M-G3/8F BRASS TREATED	RUBINETTO A SFERA G3/8M-G3/8F OTTONE TR.
18	L180/1	WASHER 22X17X1,5 COPPER	RONDELLA 17X22X1,5 RAME
19	L305/N.01	NIPPLE G3/8M-G3/8M WR20 H31 BRASS TR.	NIPPLO G3/8M-G3/8M CH20 H31 OTTONE TR.
20	T.1.010.01	TUBE STEAM B. - LEFT BALL VALVE TR. GB5	TUBO C.VAPORE - RUB.SFERA SX TRATT. GB5
	T.1.020.01	TUBE STEAM B. - RIGHT BALL V. TREATED	TUBO C.VAPORE - RUB.SFERA DX TRATTATO
21	E.4.135	CABLE ELECTRONIC BOARD BUTTON AUTOSTEAM	CAVO CENTRALINA TASTO AUTOSTEAM
<b>Item</b>	<b>Part number/Codice</b>	<b>Description</b>	<b>Descrizione</b>

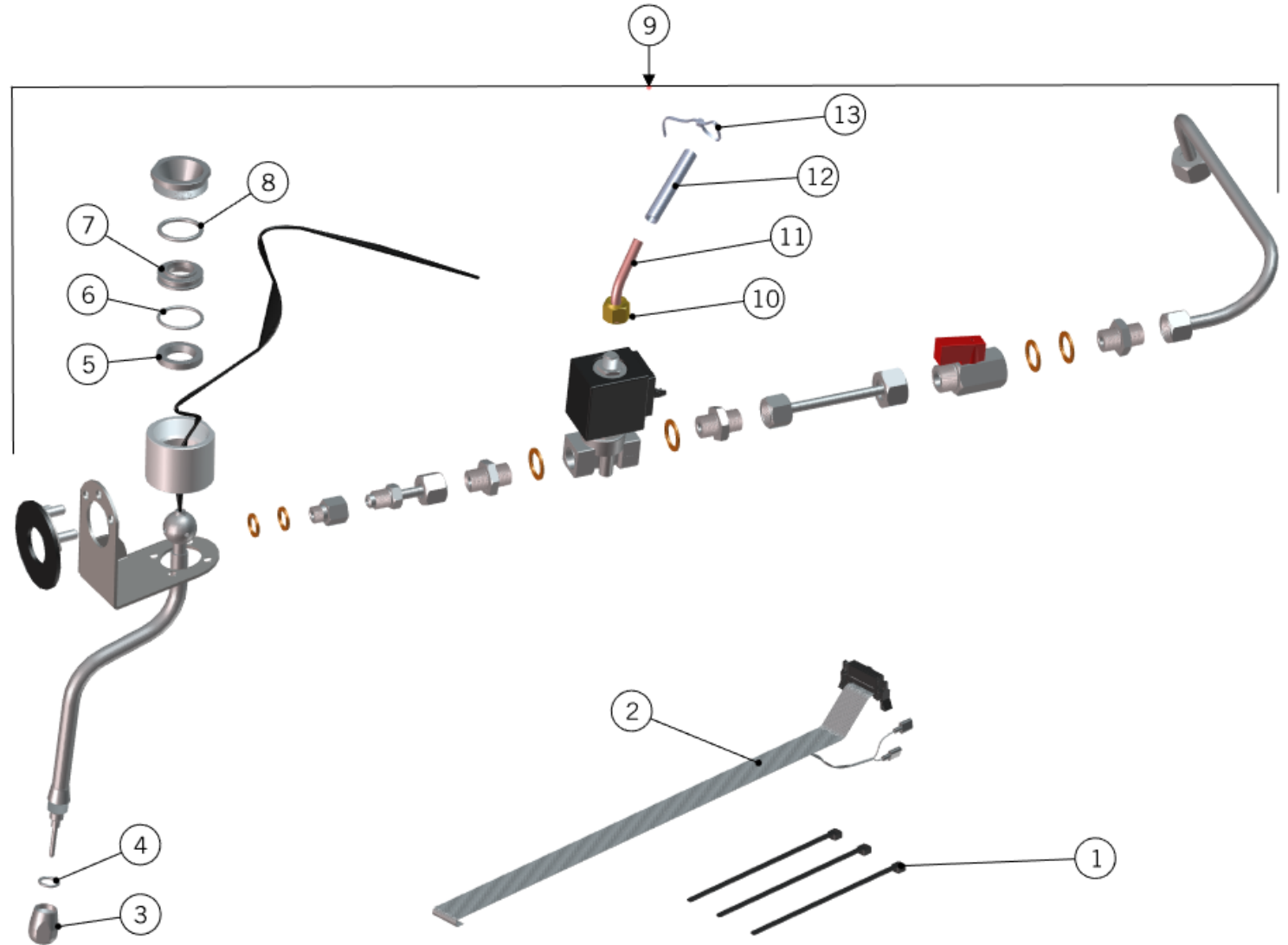
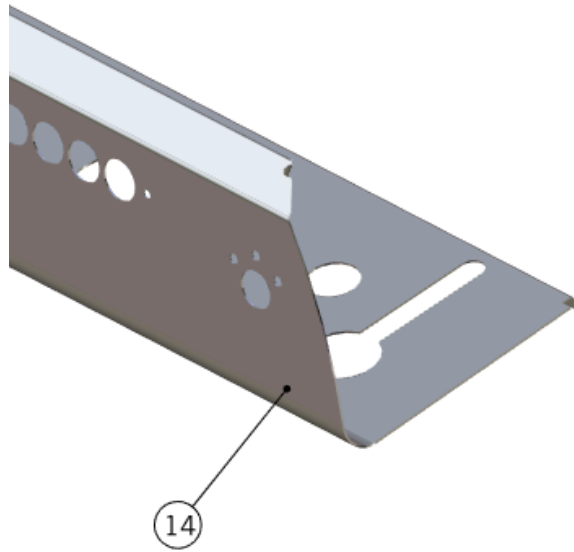




**la marzocco**  
handmade in florence

# AUTOSTEAM ASSEMBLY

ONLY FROM  
S/N 018635





**la marzocco**

handmade in florence

# AUTOSTEAM ASSEMBLY

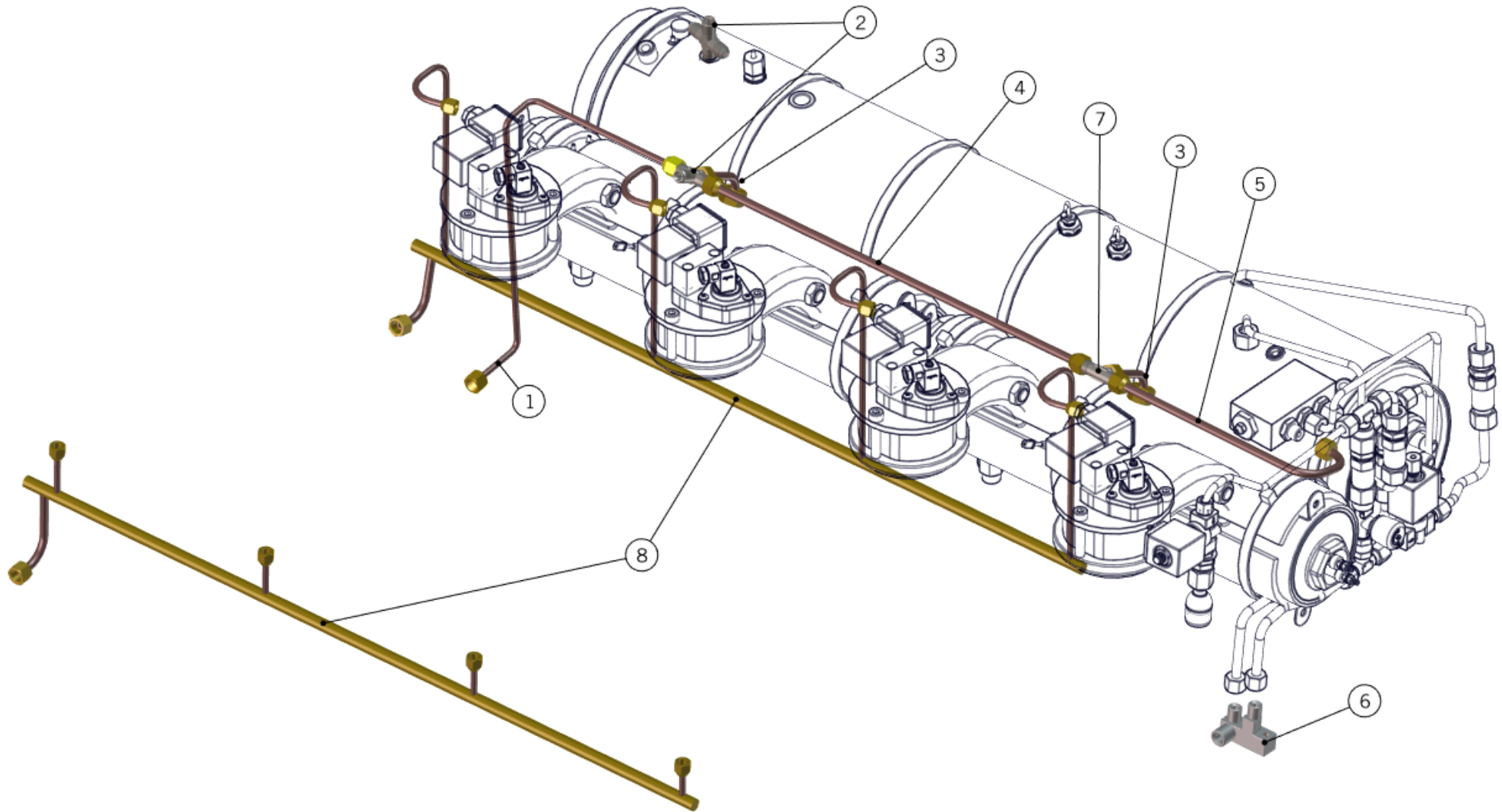
Autosteam	Item	Part number/Codice	Description	Descrizione
	1	5.V001	10-32 UNF X 1/2 TRUSS HEAD	10-32 UNF X 1/2 TRUSS HEAD
	2	E.4.135	CABLE ELECTRONIC BOARD BUTTON AUTOSTEAM	CAVO CENTRALINA TASTO AUTOSTEAM
	3	L177	AUTOSTEAM TIP	ROMPIGETTO LANCIA AUTOSTEAM
	4	F.2.016	O RING NBR DIA INT 8.73 X AUTOSTEAM	O RING NBR DIA INT 8.73 X AUTOSTEAM
	5	F.4.004	PTFE GASKET FOR AUTOSTEAM TEFLON	GUARN.INF. PTFE X AUTOSTEAM TEFLON
	6	F.4.003	ORING 2093 X AUTOSTEAM VITON	ORING 2093 X AUTOSTEAM VITON
	7	F.4.002	UPPER GASKET TEFLON AUTOSTEAM WAND	GUARNIZIONE SUP. TEFLON LANCIA X AUTO
	8	F.2.015	ORING NBR FOR AUTOSTEAM INT DIAM 3/4	ORING NBR X AUTOSTEAM DIA INT 3/4
	9	SA153.DX	AUTOSTEAM - RIGHT SIDE	KIT AUTOSTEAM DX
		SA153.SX	AUTOSTEAM - LEFT SIDE	KIT AUTOSTEAM SX
	10	A.1.027	FITTING G1/8F H12 WR14 BRASS	RACCORDO G1/8F H12 CH14 OTTONE
	11	T.1.175	TUBE AUTOSTEAM ANTI-SUCTION	TUBO ANTIRISUCCHIO AUTOSTEAM
12	T.4.001	ANTISUCTION VALVE SILICONE TUBE	TUBO SILICONE 5X8 V. ANTIRISUCCHIO	
13	L338/L100.01	CABLE TIE 120x2,5MM HIGH TEMPERATURE	FASCETTA FERMAFILO 120x2,5MM ALTE TEMP.	
14	C.1.367.2	LEFT AUTOSTEAM PANEL CONTROL GB5 2AV	PANNELLO DI COMANDO SX GB5 2AV AUTOSTEAM	
	C.1.367.2.L	LEFT AUTOST.PANEL CONTROL GB5 2AV LIGHTS	PANNELLO COM. SX GB5 2AV AUTOSTEAM LUCI	
	C.1.367.3	LEFT AUTOSTEAM PANEL CONTROL GB5 3AV	PANNELLO DI COMANDO SX GB5 3AV AUTOSTEAM	
	C.1.367.3.L	LEFT AUTOST.PANEL CONTROL GB5 3AV LIGHTS	PANNELLO COM. SX GB5 3AV AUTOSTEAM LUCI	
	C.1.367.4	LEFT AUTOSTEAM PANEL CONTROL GB5 4AV	PANNELLO DI COMANDO SX GB5 4AV AUTOSTEAM	
	C.1.367.4.L	LEFT AUTOST.PANEL CONTROL GB5 4AV LIGHTS	PANNELLO COM. SX GB5 4AV AUTOSTEAM LUCI	



la marzocco

handmade in florence

# HYDRAULIC ASSEMBLY





la marzocco

handmade in florence

# HYDRAULIC ASSEMBLY

Impianto Idraulico

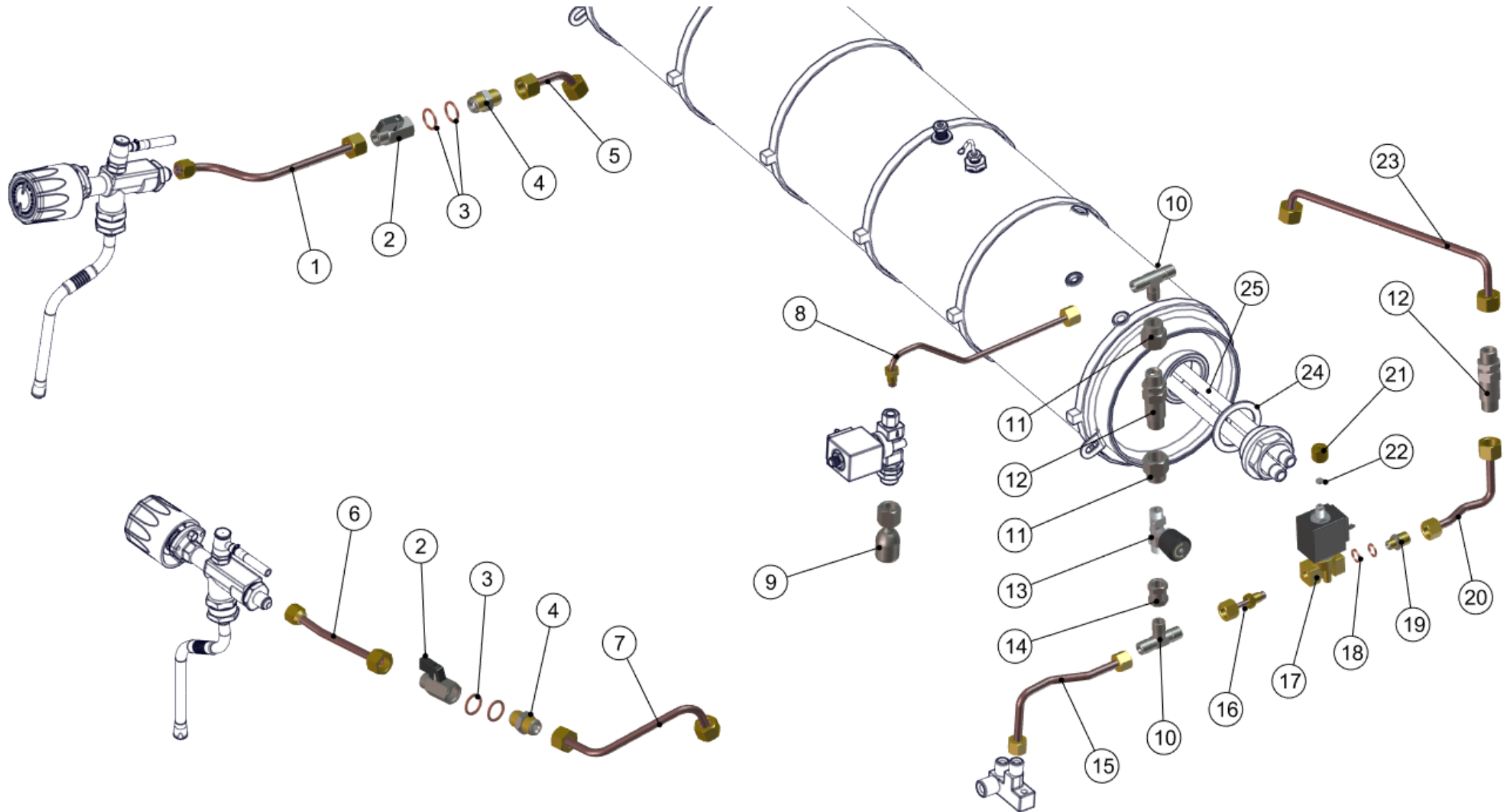
1	T.1.009	TUBE CROSS FITTING - EXPANSION VALVE GB5	TUBO CROCIERA - VALVOLA ESPANSIONE GB5
2	L129.01	CROSS FITTING G1/4M WR13 BRASS TREATED	RACCORDO A CROCE G1/4M CH13 OTTONE TR.
3	TL06	TUBE CROSS FITTING - COFFEE BOILER	TUBO CROCIERA - CALDAIA CAFFE'
4	TL05/3	TUBE CROSS FITTING CONNECTION 3GR	TUBO COLLEGAMENTO CROCIERE 3GR
	TL05/4	TUBE CROSS FITTING CONNECTION 4GR	TUBO COLLEGAMENTO CROCIERE 4GR
5	T.1.018	TUBE THERMOSTATIC VALVE - COFFEE B. TEE	TUBO V. TERMOSTATICA - T CALDAIA CAFFE'
6	A.2.001.01	INLET WATER MANIFOLD TREATED	COLLETTORE INGRESSO ACQUA TRATTATO
7	L128.01	TEE FITTING G1/4M WR13 BRASS TREATED	RACCORDO A T G1/4M CH13 OTTONE TRATTATO
8	T.1.012.2	DRAIN TUBE GB5 2MP	TUBO SCARICO GB5 2MP
	T.1.012.3	DRAIN TUBE GB5 3MP	TUBO SCARICO GB5 3MP
	T.1.012.4	DRAIN TUBE GB5 4MP	TUBO SCARICO GB5 4MP
	T.1.021.2	DRAIN TUBE SOLENOID V. GB5 2AV	TUBO SCARICO EV GB5 2AV
	T.1.021.3	DRAIN TUBE SOLENOID V. GB5 3AV	TUBO SCARICO EV GB5 3AV
	T.1.021.4	DRAIN TUBE SOLENOID V. GB5 4AV	TUBO SCARICO EV GB5 4AV
<b>Item</b>	<b>Part number/Codice</b>	<b>Description</b>	<b>Descrizione</b>



la marzocco

handmade in florence

# HYDRAULIC ASSEMBLY





la marzocco

handmade in florence

# HYDRAULIC ASSEMBLY

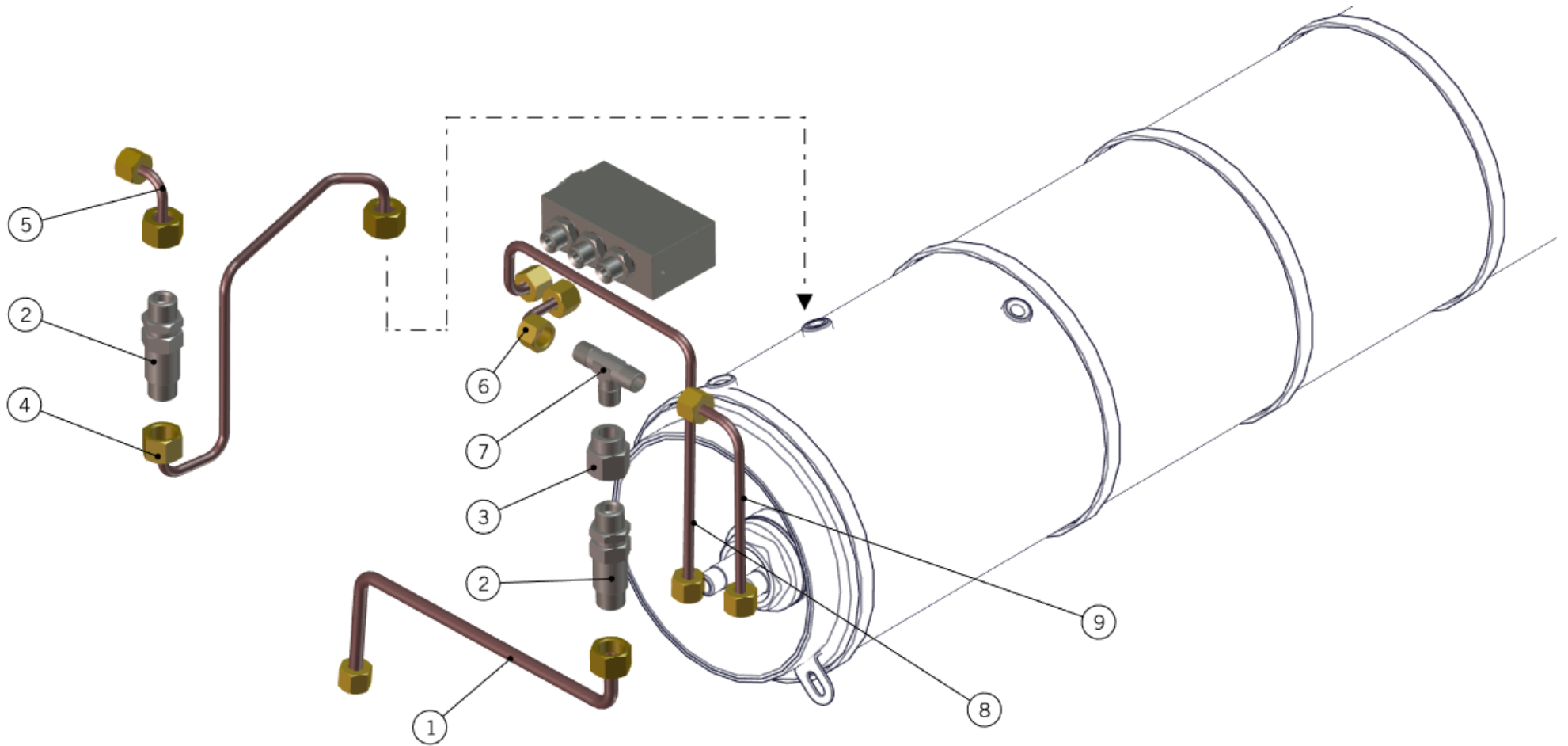
Impianto Idraulico

1	T.1.011.01	TUBE BALL VALVE - LEFT STEAM VALVE TR.	TUBO RUB.SFERA - RUB.VAPORE SX TRATT.
2	L164.02	BALL VALVE G3/8M-G3/8F BRASS TREATED	RUBINETTO A SFERA G3/8M-G3/8F OTTONE TR.
3	L180/1	WASHER 22X17X1,5 COPPER	RONDELLA 17X22X1,5 RAME
4	L305/N.01	NIPPLE G3/8M-G3/8M WR20 H31 BRASS TR.	NIPPLO G3/8M-G3/8M CH20 H31 OTTONE TR.
5	T.1.010.01	TUBE STEAM B. - LEFT BALL VALVE TR. GB5	TUBO C.VAPORE - RUB.SFERA SX TRATT. GB5
6	T.1.048.01	TUBE BALL V. - RIGHT STEAM VALVE TR.	TUBO RUB.SFERA - RUB.VAP. DX TRATT.
7	T.1.020.01	TUBE STEAM B. - RIGHT BALL V. TREATED	TUBO C.VAPORE - RUB.SFERA DX TRATTATO
8	T.1.007.01	TUBE MIXING VALVE TEE - TEA SOLENOID V.	TUBO T V.MISC. - EV TE'
9	L160.02	HOT WATER WAND S/S G3/8F W/DIFFUSER	LANCIA TE INOX G3/8F C/DIFFUSORE
10	A.2.002.01	TEE FITTING R1/4M WR13 BRASS TREATED	RACCORDO A T R1/4M CH13 OTTONE TRATT.
11	A.2.004.01	FITTING G1/4F-G3/8F WR22 BRASS TREATED	RACCORDO G1/4F-G3/8F CH22 OTTONE TRATT.
12	L032/P.01	CHECK VALVE G3/8M TREATED	VALVOLA DI RITEGNO G3/8M TRATTATA
13	B.2.001	WATER MIXER VALVE	VALVOLA MISCELAZIONE ACQUA
14	A.2.003.01	FITTING G1/4F-G1/4F WR17 BRASS TREATED	RACCORDO G1/4F-G1/4F CH17 OTTONE TRATT.
15	T.1.001	TUBE WATER INLET MANIFOLD - TEE FITTING	TUBO COLLETTORE INGRESSO ACQUA - T
16	T.1.002	SOLENOID VALVE T TUBE	TUBO T - EV RIEMP.
17	L100/E.02	SOLENOID VALVE 3 WAY 220/240V	ELETTROVALVOLA 3 VIE 220/240V
	L100/E200.01	SOLENOID VALVE 3 WAY 200V	ELETTROVALVOLA 3 VIE 200V
18	L100/D	WASHER 10X14X1,5 COPPER	RONDELLA 10X14X1,5 RAME
19	L053/1.01	NIPPLE R1/8M-R1/4M WR14 BRASS TR.	NIPPLO R1/8M-R1/4M CH14 OTTONE TR.
20	T.1.003	TUBE AUTOFILL SOLENOID V.-CHECK VALVE	TUBO EV RIEMP. - VALVOLA DI RITEGNO
21	L134	FITTING G1/8F H14 WR14 D4 BRASS	RACCORDO G1/8F H14 CH14 D4 OTTONE
22	L134/4	FERRULE BLIND 8X4 TREATED	GHIANDINA CIECA 8X4 TRATTATO
23	T.1.004	TUBE CHECK V. AUTOFILL SOLENOID V.-S.B.	TUBO V.RIT. EV RIEMP. - CALDAIA VAPORE
24	LR360	1-1/4 HEATER ELEMENT GASKET	GUARNIZIONE PIANA DM.55X42X2
25	T.1.015.02	PREHEATER 2GR L384 MM W/Y JUNCTION	PRERISCALDATORE 2GR L384 MM C/GIUNTO Y
	T.1.019.02	PREHEATER 3/4GR L584 MM W/Y JUNCTION	PRERISCALDATORE 3/4GR L584 MM C/GIUNTO Y
<b>Item</b>	<b>Part number/Codice</b>	<b>Description</b>	<b>Descrizione</b>



**la marzocco**  
handmade in florence

# HYDRAULIC ASSEMBLY





**la marzocco**

handmade in florence

# HYDRAULIC ASSEMBLY

Impianto Idraulico	1	T.1.013	TUBE INLET MANIFOLD - CHECK V. GB5	TUBO ANCORAGGIO - V.RITEGNO GB5
	2	L032/P.01	CHECK VALVE G3/8M TREATED	VALVOLA DI RITEGNO G3/8M TRATTATA
	3	A.2.004.01	FITTING G1/4F-G3/8F WR22 BRASS TREATED	RACCORDO G1/4F-G3/8F CH22 OTTONE TRATT.
	4	T.1.006	TUBE STEAM BOILER - CHECK VALVE GB5	TUBO CALDAIA VAPORE - V.RITEGNO GB5
	5	T.1.005	TUBE CHECK VALVE - TEE FITTING GB5	TUBO VALVOLA DI RITEGNO - T GB5
	6	T.1.017	TUBE H2O TEE - THERMOSTATIC VALVE GB5	TUBO T H2O - VALVOLA TERMOSTATICA GB5
	7	A.2.002.01	TEE FITTING R1/4M WR13 BRASS TREATED	RACCORDO A T R1/4M CH13 OTTONE TRATT.
	8	T.1.016	TUBE PRE-HEATER - THERMOSTATIC V. GB5	TUBO PRERISC. - V. TERMOSTATICA GB5
	9	T.1.014	TUBE H2O TEE FITTING - PRE-HEATER GB5	TUBO T H2O - PRERISCALDATORE GB5
	Item	Part number/Codice	Description	

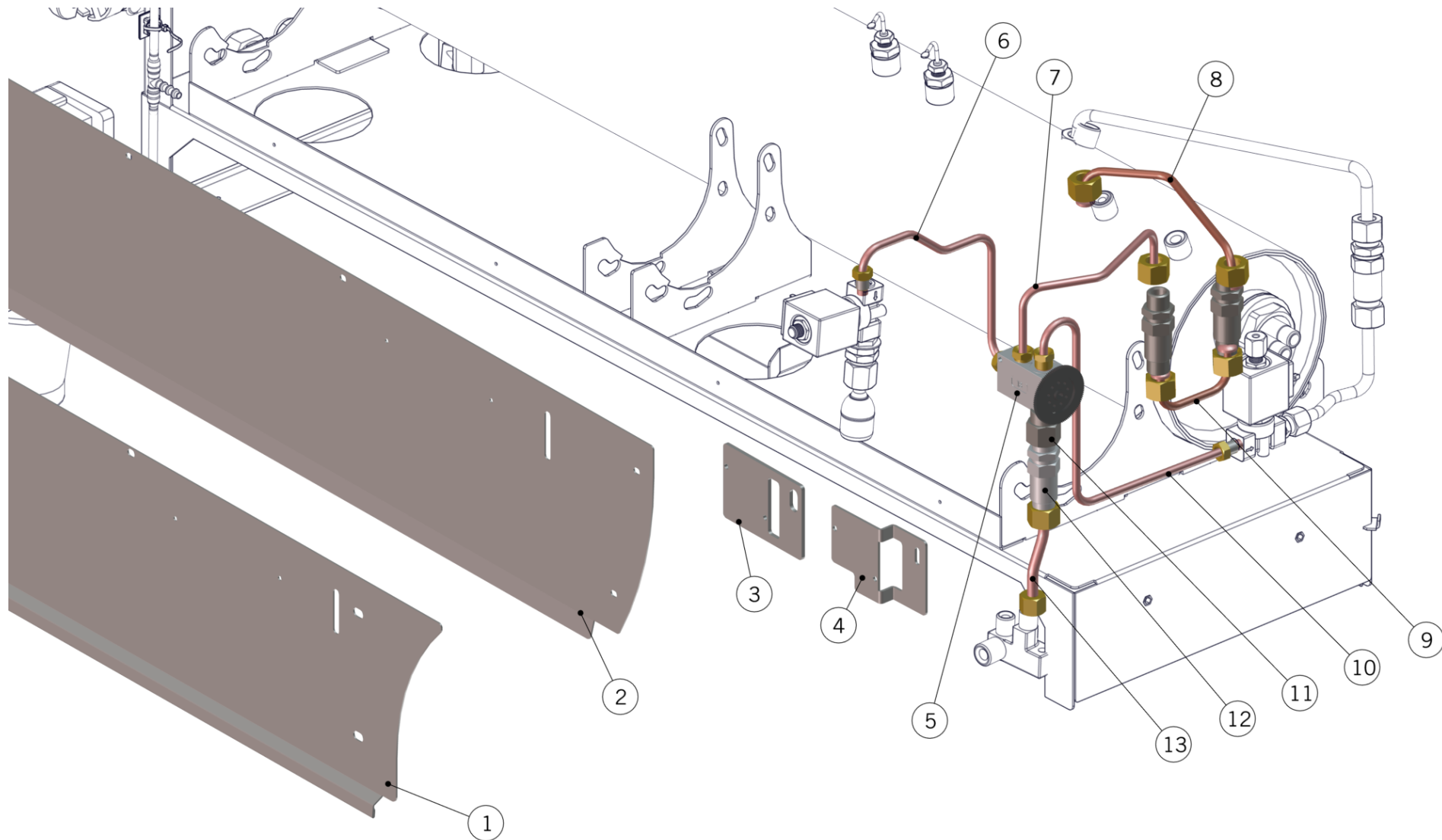




la marzocco

handmade in florence

# HYDRAULIC ASSEMBLY - HOT WATER MIXING VALVE





**la marzocco**

handmade in florence

# HYDRAULIC ASSEMBLY - HOT WATER MIXING VALVE

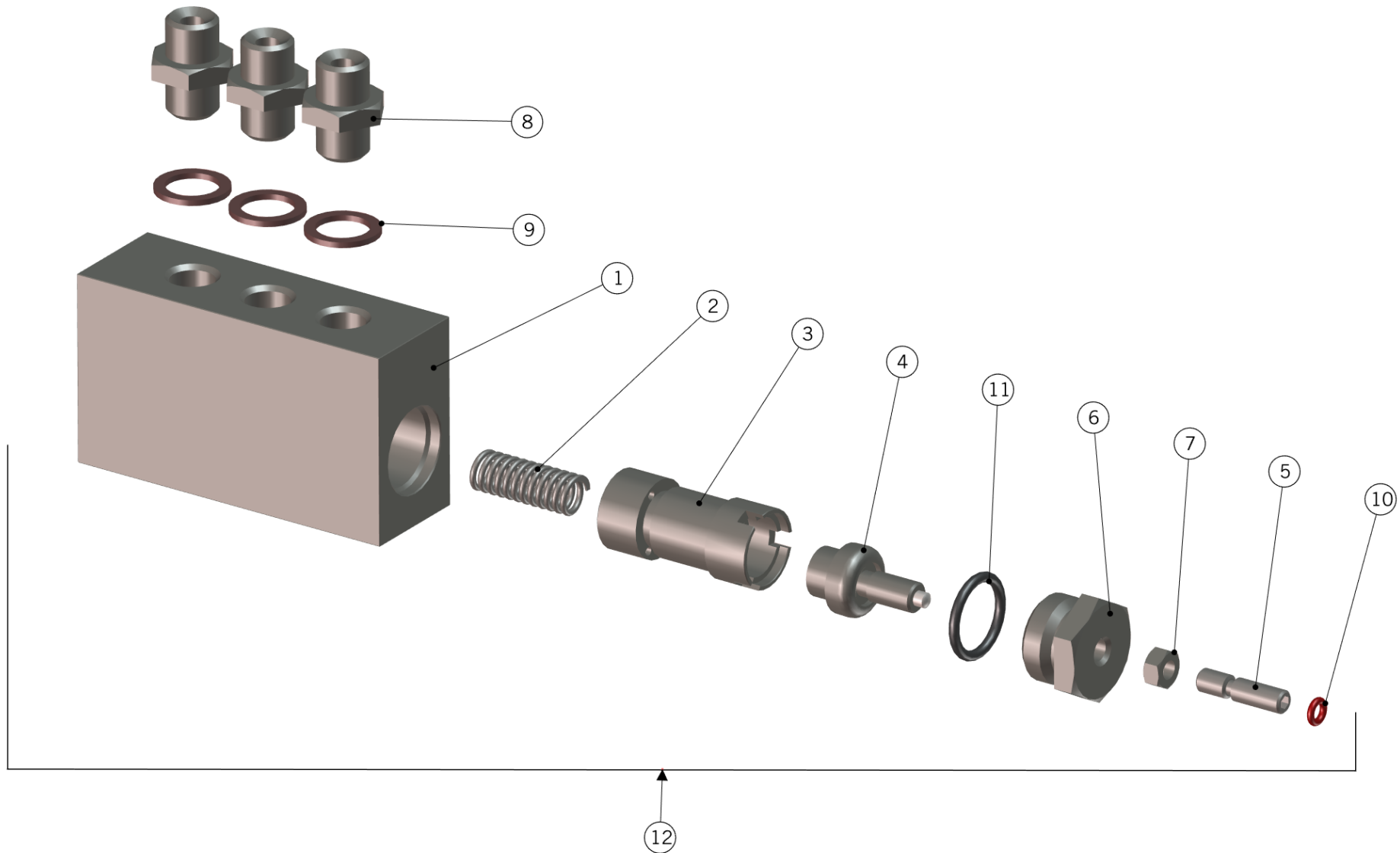
**Impianto Idraulico**

1	C.1.332.2	PANEL MAIN SWITCH FB80 2GR MIXING VALVE	PANN. INTERR. GEN. FB80 2GR MISCELATORE	
	C.1.332.3	PANEL MAIN SWITCH FB80 3GR MIXING VALVE	PANN. INTERR. GEN. FB80 3GR MISCELATORE	
	C.1.332.4	PANEL MAIN SWITCH FB80 4GR MIXING VALVE	PANN. INTERR. GEN. FB80 4GR MISCELATORE	
	2	C.1.334.2	GB/5 2GR MAIN SWITCH PANEL MIXING VALVE	PANN. INTERR.GENERALE GB/5 2GR MISC.
		C.1.334.3	GB/5 3GR MAIN SWITCH PANEL MIXING VALVE	PANN. INTERR.GENERALE GB/5 3GR MISC.
		C.1.334.4	GB/5 4GR MAIN SWITCH PANEL MIXING VALVE	PANN. INTERR.GENERALE GB/5 4GR MISC.
	3	C.1.333	BRACKET HOT WATER MIXING V. FB80	STAFFA MISCELAZIONE ACQUA CALDA FB80
	4	C.1.335	BRACKET HOT WATER MIXING V. GB5	STAFFA MISCELAZIONE ACQUA CALDA GB5
	5	B.2.007.01	MIXING VALVE BODY TREATED	CORPO VALVOLA MISCELATRICE TRATTATA
	6	T.1.194	TUBE MIXING VALVE - TEA SOLENOID V. GB5	TUBO V. MISCELAZIONE - EV TE' GB5
	7	T.1.192	TUBE CHECK V. - MIXING VALVE GB5	TUBO V.RITEGNO - V. MISCELAZIONE GB5
	8	T.1.085	TUBE STEAM B. - HOT WATER CHECK VALVE	TUBO C.VAPORE - V.RITEGNO ACQUA CALDA
	9	T.1.086	TUBE S.B. CHECK V. - TEA MIX V. CHECK V.	TUBO V.RITEGNO C.V.-V.RITEGNO V.MISC.TE'
10	T.1.195	TUBE AUTOFILL SOLENOID V. -MIXING V. GB5	TUBO EV RIEMPIMENTO - V.MISCELAZIONE GB5	
11	A.2.004.01	FITTING G1/4F-G3/8F WR22 BRASS TREATED	RACCORDO G1/4F-G3/8F CH22 OTTONE TRATT.	
12	L032/P.01	CHECK VALVE G3/8M TREATED	VALVOLA DI RITEGNO G3/8M TRATTATA	
13	T.1.193	TUBE INLET MANIFOLD - MIXING VALVE GB5	TUBO ANCORAGGIO - V. MISCELAZIONE GB5	
<b>Item</b>	<b>Part number/Codice</b>	<b>Description</b>	<b>Descrizione</b>	



**la marzocco**  
handmade in florence

# PRE-HEATING MIX VALVE





**la marzocco**

handmade in florence

## PRE-HEATING MIX VALVE

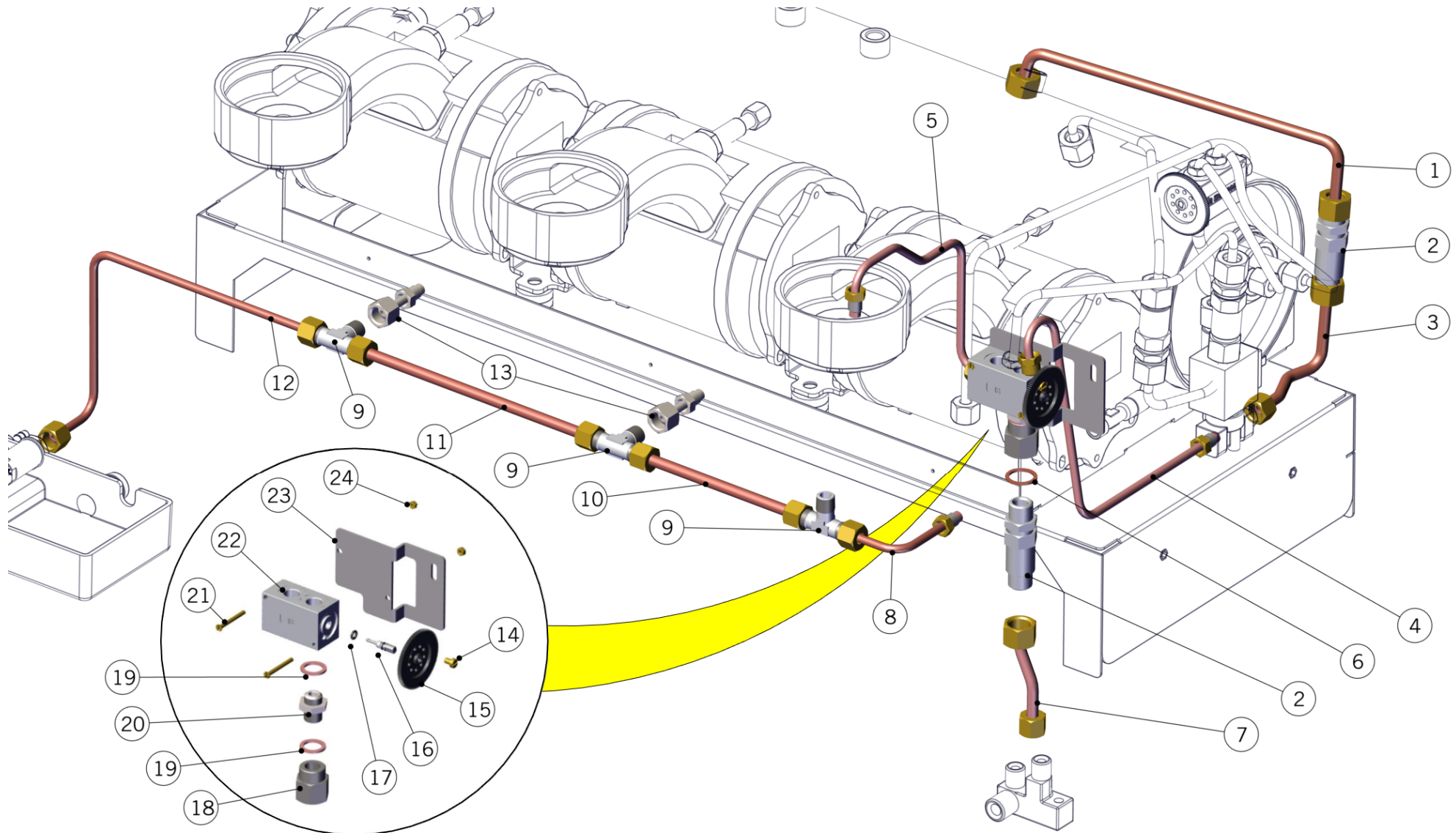
<b>Valvola Termostatica</b>	1	B.2.002.01	THERMOSTATIC VALVE BODY TREAT.	CORPO VALVOLA TERMOSTATICA TRATT.
	2	F.3.002	SPRING COMPRESSION 1,6X10,6X37,2	MOLLA A COMPRESSIONE 1,6X10,6X37,2
	3	A.2.005.01	THERMOST. VALVE MIXER CYLINDER TREATED	CILINDRO MISCELATORE VALV.TERM. TRATT.
	4	E.5.001.01	THERMOSTATIC VALVE S/S ACTUATOR	ATTUATORE INOX VALVOLA TERMOSTATICA
	5	I.1.001	SOCKET GRUB SCREW M6X24,5 S/S A2	GRANO M6X24,5 A BRUGOLA INOX A2
	6	A.2.006.01	THERMOSTATIC VALVE CAP TREATED	TAPPO VALVOLA TERMOSTATICA TRATTATO
	7	I.1.049	NUT M6 H5 WR10 S/S A2	DADO M6 H5 CH10 INOX A2
	8	L037/3.01	NIPPLE G1/4M-G1/4M WR19 H25.5 BRASS TR.	NIPPLO G1/4M-G1/4M CH19 H25.5 OT. TR.
	9	L100/1A	WASHER 13,5X19X1,5 COPPER	RONDELLA 13,5X19X1,5 RAME
	10	H.1.001	O-RING 1,78X3,69 FKM 70 SH	O-RING 1,78X3,69 FKM 70 SH
	11	H.1.002	OR VITON THERMOST.VALVE CAP	OR (VITON) PER TAPPO VALVOLA
	12	B.2.003	THERMOSTATIC VALVE TREATED	VALVOVA TERMOSTATICA TRATTATA
Item	Part number/Codice	Description	Descrizione	



la marzocco

handmade in florence

# HYDRAULIC ASSEMBLY - SINGLE BOILER VERSION





**la marzocco**

handmade in florence

# HYDRAULIC ASSEMBLY - SINGLE BOILER VERSION

**Impianto Idraulico**

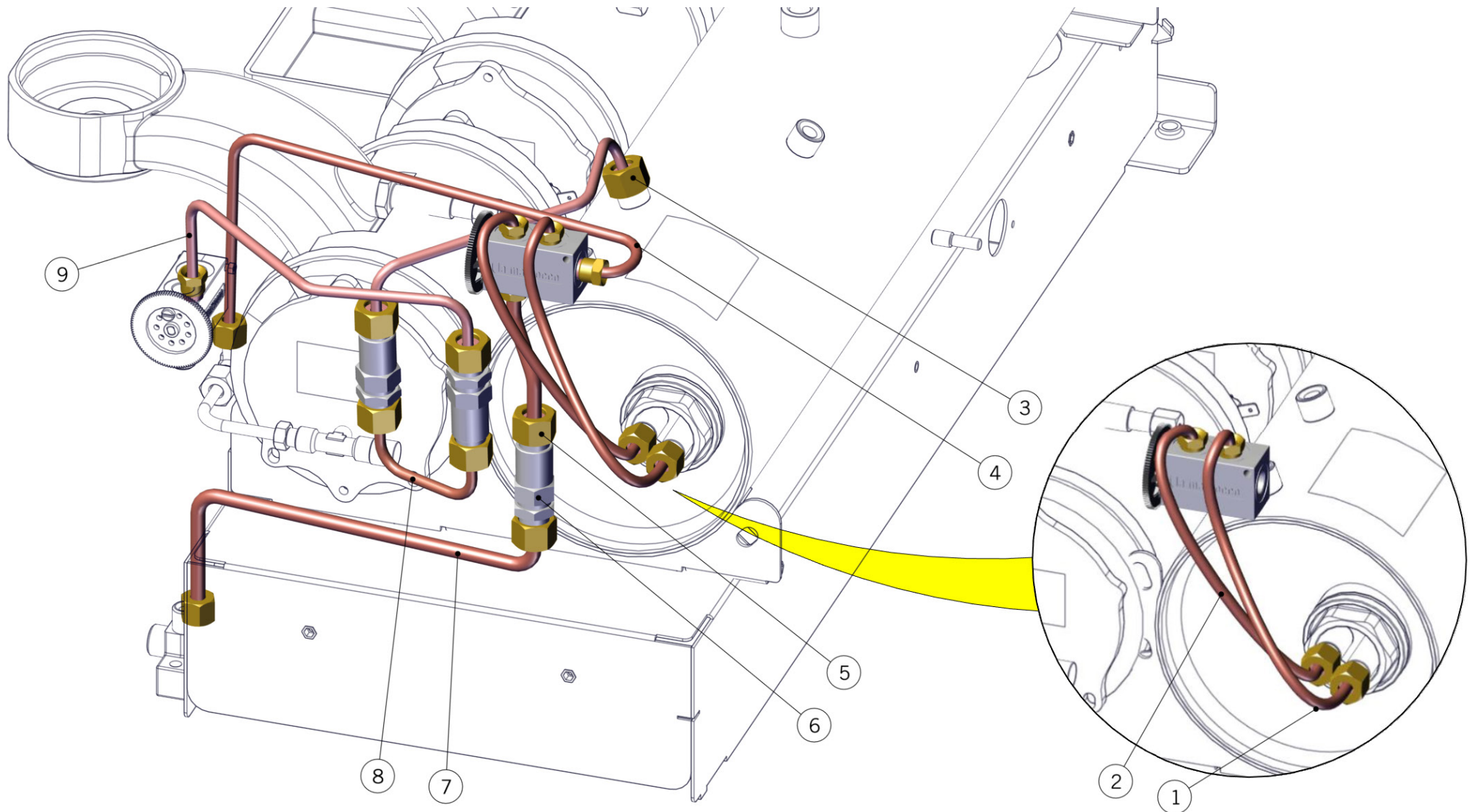
1	T.1.004	TUBE CHECK V. AUTOFILL SOLENOID V.-S.B.	TUBO V.RIT. EV RIEMP. - CALDAIA VAPORE
2	L032/P.01	CHECK VALVE G3/8M TREATED	VALVOLA DI RITEGNO G3/8M TRATTATA
3	T.1.003	TUBE AUTOFILL SOLENOID V.-CHECK VALVE	TUBO EV RIEMP. - VALVOLA DI RITEGNO
4	T.1.195	TUBE AUTOFILL SOLENOID V. -MIXING V. GB5	TUBO EV RIEMPIMENTO - V.MISCELAZIONE GB5
5	T.1.194	TUBE MIXING VALVE - TEA SOLENOID V. GB5	TUBO V. MISCELAZIONE - EV TE' GB5
6	L180/1	WASHER 22X17X1,5 COPPER	RONDELLA 17X22X1,5 RAME
7	T.1.193	TUBE INLET MANIFOLD - MIXING VALVE GB5	TUBO ANCORAGGIO - V. MISCELAZIONE GB5
8	T.1.220	TUBE RGT C.B.- CROSS FITT. MULTI B. GB5	TUBO DX C.C. -CROCIERA C.SINGOLE GB5
9	A.2.002.01	TEE FITTING R1/4M WR13 BRASS TREATED	RACCORDO A T R1/4M CH13 OTTONE TRATT.
10	T.1.221	TUBE CROSS FITTING MULTI B. GB5	TUBO CROCIERA CALDAIE SINGOLE GB5
11	T.1.222	TUBE 3GRP CROSS FITTING MULTI B. GB5	TUBO 3 GRUPPI CROCIERA C.SINGOLE GB5
12	T.1.216	TEE FITT. TUBE 2GRP-CHECK V. MULTI B.GB5	TUBO 2GR A T - V. RITEGNO C.SINGOLE GB5
	T.1.217	TEE FITT. TUBE 3GRP-CHECK V. MULTI B.GB5	TUBO 3GR T - V. RITEGNO C.SINGOLE GB5
13	T.1.002	SOLENOID VALVE T TUBE	TUBO T - EV RIEMP.
14	VITE4X6	SCREW M4X6 CHEESE BRASS	VITE M4X6 TC A TAGLIO OTTONE
15	F.1.016	THERMOSTATIC VALVE ADJUSTMENT KNOB	GHIERA REGOLAZIONE VALVOLA TERMOSTATICA
16	F.3.008	THERMOSTATIC VALVE PIN	SPINA X VALV. TERMOSTATICA
17	H.1.007	O-RING 1.78X2.9 FKM 74 SH	O-RING 1.78X2.9 FKM 74 SH
18	A.2.004.01	FITTING G1/4F-G3/8F WR22 BRASS TREATED	RACCORDO G1/4F-G3/8F CH22 OTTONE TRATT.
19	L100/1A	WASHER 13,5X19X1,5 COPPER	RONDELLA 13,5X19X1,5 RAME
20	A.5.019	NIPPLE G1/4M-G1/4M WR19 H21.5 BRASS TR.	NIPPLO G1/4M-G1/4M CH19 H21.5 OTT. TR.
21	VITE3X30	SCREW M3X30 SLOTTED COUNTERSUNK BRASS	VITE M3X30 TS A TAGLIO OTTONE
22	B.2.007.01	MIXING VALVE BODY TREATED	CORPO VALVOLA MISCELATRICE TRATTATA
23	C.1.335	BRACKET HOT WATER MIXING V. GB5	STAFFA MISCELAZIONE ACQUA CALDA GB5
24	DADO3M	NUT M3 H3 WR5,5 BRASS	DADO M3 H3 CH5,5 OTTONE
<b>Item</b>	<b>Part number/Codice</b>	<b>Description</b>	<b>Descrizione</b>



la marzocco

handmade in florence

# HYDRAULIC ASSEMBLY - SINGLE BOILER VERSION





**la marzocco**

handmade in florence

## HYDRAULIC ASSEMBLY - SINGLE BOILER VERSION

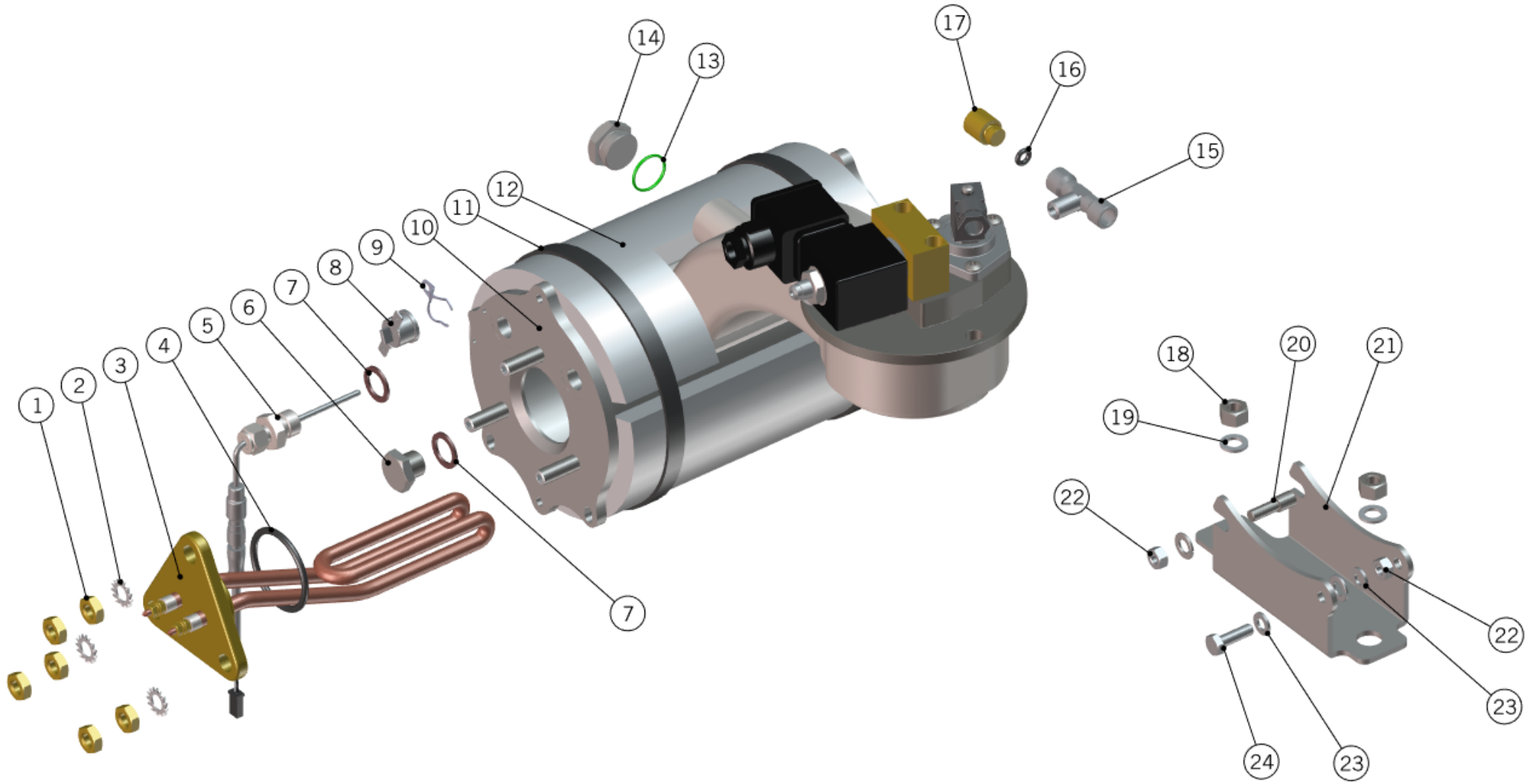
<b>Impianto Idraulico</b>	1	T.1.214	TUBE MIX V.- PRE-HEATER MULTI B. GB5	TUBO V.MISC. - PRERISC. C.SINGOLE GB5
	2	T.1.215	TUBE BIS MIX V. -PRE HEATER MULTI B. GB5	TUBO BIS V.MISC. -PRERISC. C.SINGOLE GB5
	3	T.1.085	TUBE STEAM B. - HOT WATER CHECK VALVE	TUBO C.VAPORE - V.RITEGNO ACQUA CALDA
	4	T.1.218	TUBE MIX V. - CROSS FITT. MULTI B. GB5	TUBO V.MISC. - CROCIERA C.SINGOLE GB5
	5	T.1.223	TUBE INLET CHECK V. -MIX V. MULTI B. GB5	TUBO INGR. V.RIT. -V.MISC. C.SINGOLE GB5
	6	L032/P.01	CHECK VALVE G3/8M TREATED	VALVOLA DI RITEGNO G3/8M TRATTATA
	7	T.1.219	TUBE INLET MANIFOLD-CHECK V. MULTI B.GB5	TUBO ANCORAGGIO - V.RIT C.SINGOLE GB5
	8	T.1.086	TUBE S.B. CHECK V. - TEA MIX V. CHECK V.	TUBO V.RITEGNO C.V.-V.RITEGNO V.MISC.TE'
	9	T.1.192	TUBE CHECK V. - MIXING VALVE GB5	TUBO V.RITEGNO - V. MISCELAZIONE GB5
	Item	Part number/Codice	Description	





**la marzocco**  
handmade in florence

# COFFEE BOILER ASSEMBLY - SINGLE BOILER VERSION





la marzocco

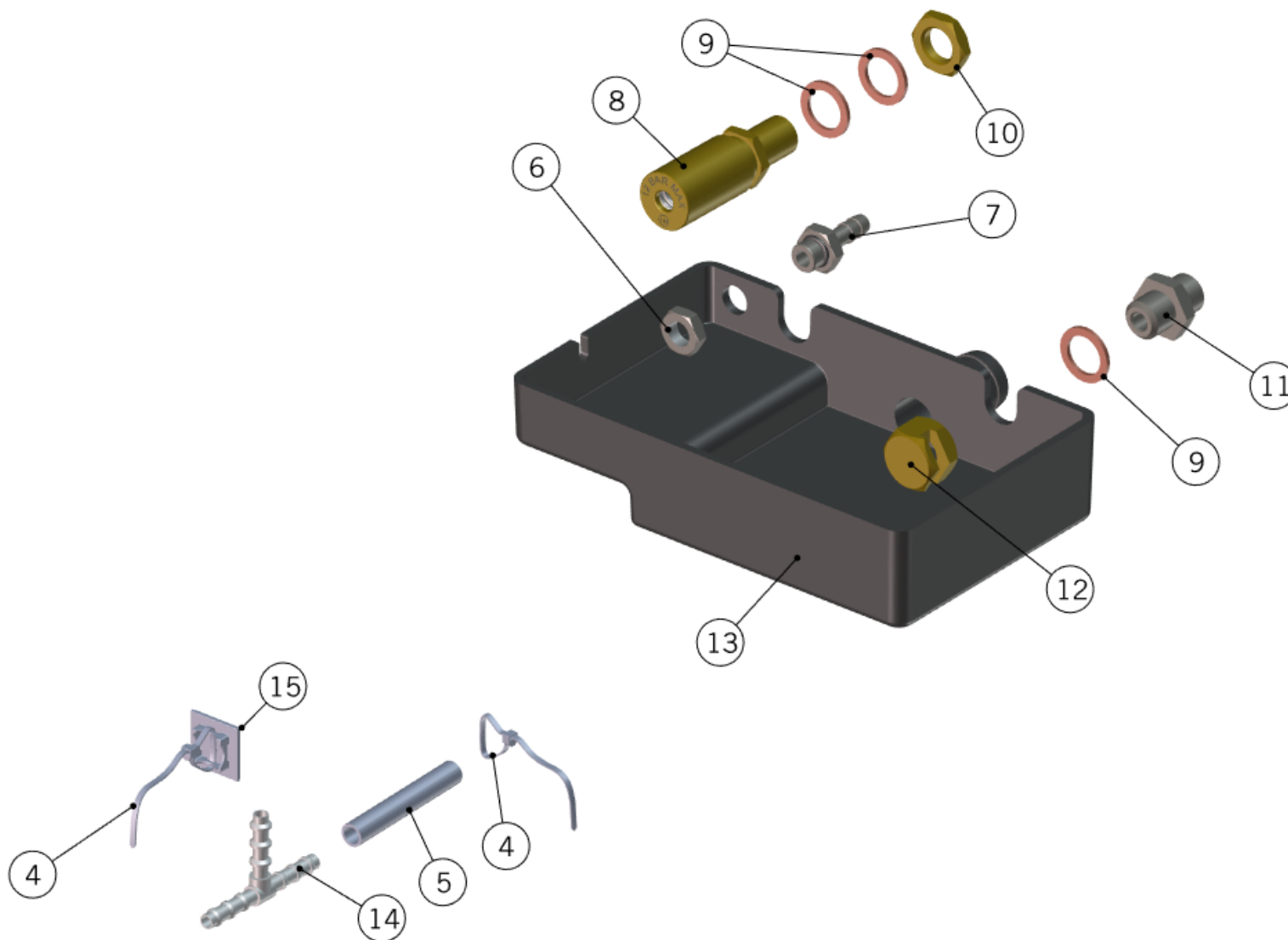
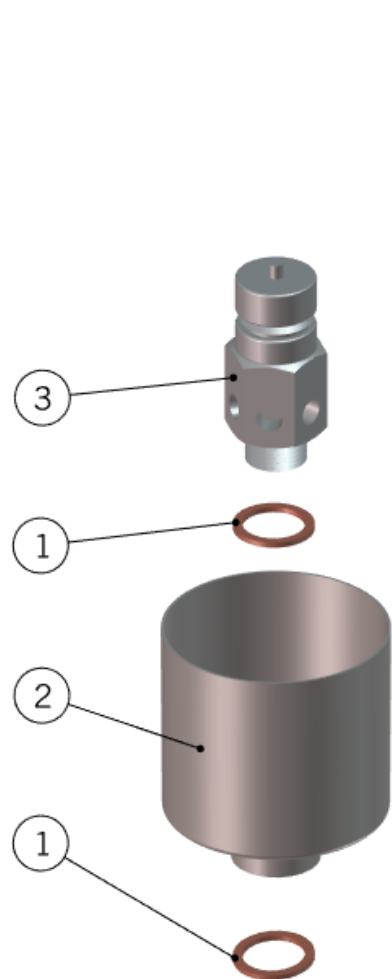
handmade in florence

# COFFEE BOILER ASSEMBLY - SINGLE BOILER VERSION

Caldaia Caffè

1	I.1.025	NUT M8 H5 WR13 BRASS	DADO BASSO M8 H5 CH13 (UNI5589) OTTONE
2	ROND_DENT_8	TOOTH LOCK WASHER 8X14,7X2 S/S A2	ROND.DENTATA 8,5X14,7X2 INOX A2
3	E.6.004.02	HEATING ELEMENT W800 V220 TRIANG.FL. RP	RES. EL. W800 V220 FL. TRIANG. RP
	E.6.006.02	HEATING ELEMENT W500 V200 TRIANG.FL. RP	RES. EL. W500 V200 FL. TRIANG. RP
4	F.2.014.01	O-RING 3,53X37,69 FKM 70 SH GREEN	O-RING 3,53X37,69 FKM 70 SH VERDE
5	E.1.005	TEMPERATURE PROBE PT1000 100MM	SONDA TEMPERATURA PT1000 100MM
6	A.5.022	CAP G1/4 H15,5 WR19 S/S	TAPPO G1/4 H15,5 CH19 INOX
7	L100/1A	WASHER 13,5X19X1,5 COPPER	RONDELLA 13,5X19X1,5 RAME
8	L276.01	SAFETY THERMOSTAT 1P TRIP FREE 130C 250V	TERMOSTATO UNIPOL. TRIP FREE 130C 250V
9	L276.01S	L276.01 BRACKET	STAFFA SINGOLA A CLIP X L276.01
10	L.1.001.01.R	COFFEE BOILER FLAT SIDE 1GR	CALDAIA CAFFE' FOND. PIATTI 1GR
11	A.5.016.01	PLASTIC FASTENER 750X7.5	FASCETTA NERA 750x7.5 NYLON
12	F.7.001	INSULATION PANEL STRADA COFFEE BOILER	ISOLANTE C. CAFFE' STRADA
13	H.1.022	O-RING 1,78X15,60 VITON 70 SH	O-RING 1,78X15,60 VITON 70 SH
14	A.5.082	CAP M20X1 H13 WR22 S/S	TAPPO M20X1 H13 CH22 INOX
15	A.2.012.01	TEE FITTING R1/8M-G1/8F-G1/8F WR10 TR	RACCORDO A T R1/8M-G1/8F-G1/8F CH10 TR
16	L171/2	O-RING 1,78X6,75 FKM 70 SH	O-RING 1,78X6,75 FKM 70 SH
17	A.1.021	CAP G1/8 H19 D14 BRASS	TAPPO G1/8 H19 D14 OTTONE
18	L1002	NUT M8 H8 WR13 S/S A2	DADO M8 H8 CH13 INOX A2
19	L1003	WASHER 8,5X14X1,5 S/S A2	RONDELLA 8,5X14X1,5 INOX A2
20	A.5.011	COFFEE BOILER PIN STRADA S/S	PERNO CALDAIA CAFFE' STRADA AISI 304
21	C.1.444	BRACKET CENTRAL COFFEE BOILER	STAFFA CENTRALE CALDAIE CAFFE'
22	I.1.049	NUT M6 H5 WR10 S/S A2	DADO M6 H5 CH10 INOX A2
23	RONDELLA6X12	WASHER 6,4X12X1,5 S/S A2	RONDELLA 6,4X12X1,5 INOX A2
24	I.1.058	SCREW M6X20 HEX HEAD S/S	VITE M6X20 TE INOX
<b>Item</b>	<b>Part number/Codice</b>	<b>Description</b>	<b>Descrizione</b>

# FITTINGS AND VALVES





**la marzocco**

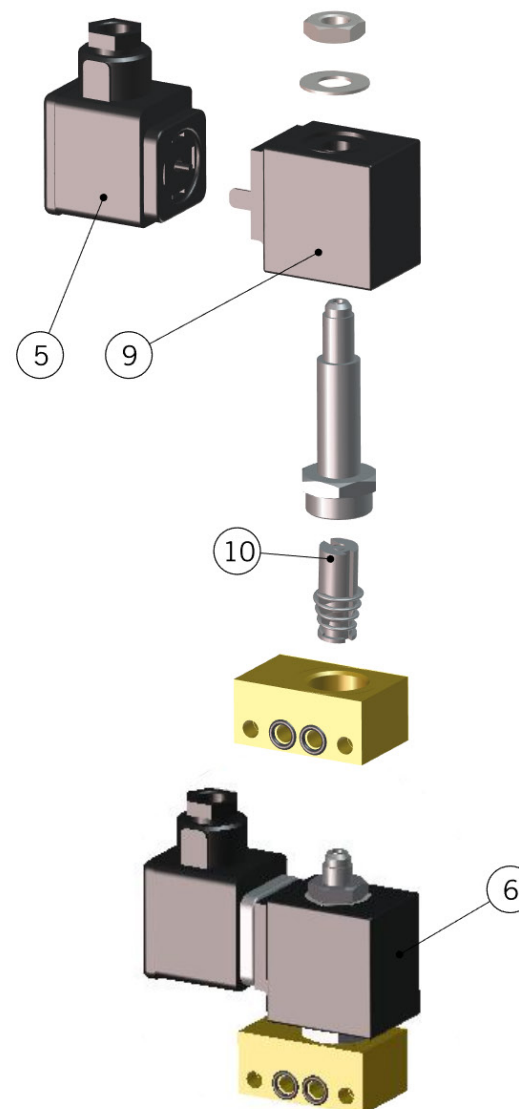
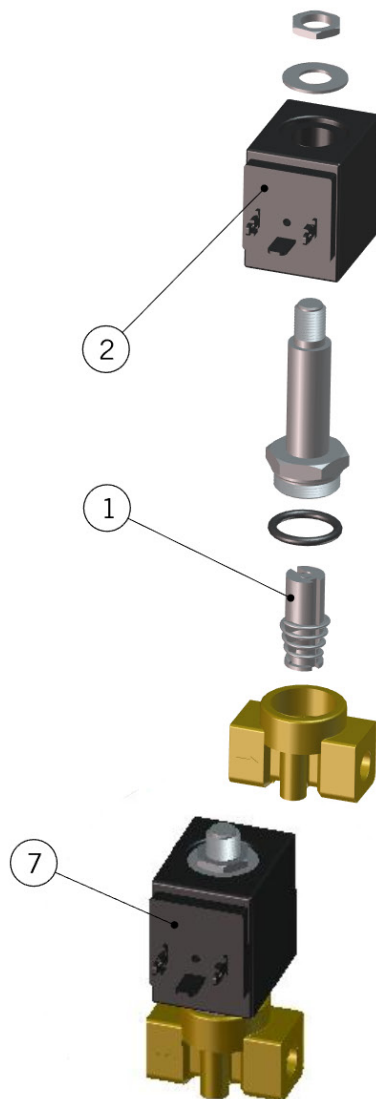
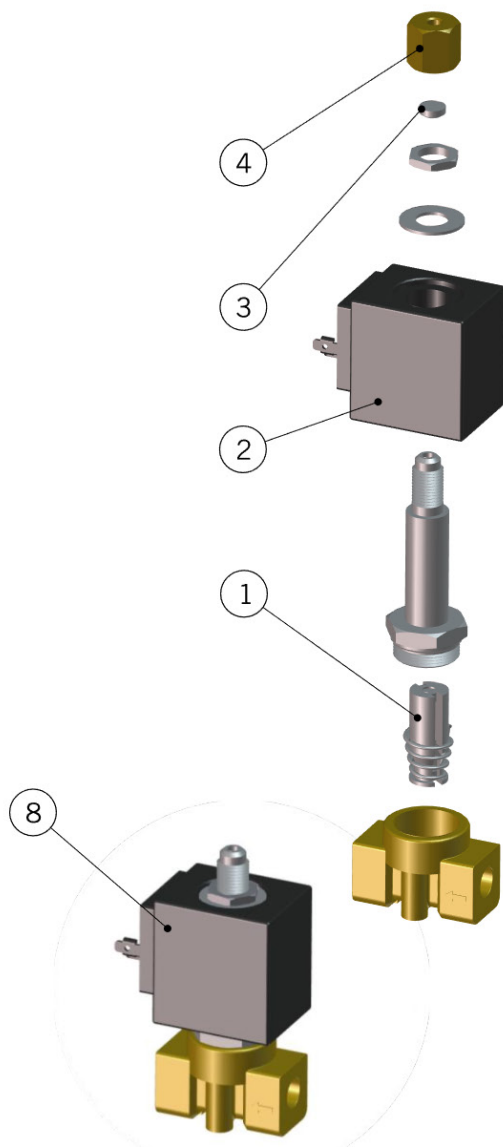
handmade in florence

## FITTINGS AND VALVES

### Raccordi e Valvole

1	L180/1	WASHER 22X17X1,5 COPPER	RONDELLA 17X22X1,5 RAME
2	F.1.004	CUP SAFETY VALVE	BICCHIERE VALVOLA SICUREZZA
3	B.2.024	SAFETY VALVE G3/8 1,8 BAR TEA	VALVOLA DI SICUREZZA G3/8 1,8 BAR TEA
4	L338/L100.01	CABLE TIE 120x2,5MM HIGH TEMPERATURE	FASCETTA FERMAFILO 120x2,5MM ALTE TEMP.
5	T.4.001	ANTISUCTION VALVE SILICONE TUBE	TUBO SILICONE 5X8 V. ANTIRISUCCHIO
6	L292/R	NUT G1/8 H4,5 WR14 BRASS NICKEL PLATED	DADO G1/8 H4,5 CH14 OT.NICH.(PORTAGOMMA)
7	L292	GS/3 TUBE FITTING	PORTAGOMMA GS/3
8	L140_C	COMPLETE EXPANSION VALVE	VALVOLA ESPANSIONE COMPLETA
9	L100/1A	WASHER 13,5X19X1,5 COPPER	RONDELLA 13,5X19X1,5 RAME
10	L146	NUT G1/4 H4,5 WR19 BRASS	DADO G1/4 H4,5 CH19 OTTONE
11	L037/3.01	NIPPLE G1/4M-G1/4M WR19 H25.5 BRASS TR.	NIPPLO G1/4M-G1/4M CH19 H25.5 OT. TR.
12	L037/3R	BREAK-DRAIN FOR SOLENOID VALVE	ROMPIGETTO ES.19 MM.
13	F.1.002.03	GB5 DRAIN BOX	POZZETTO DI SCARICO GB5
14	A.7.001.01	T FITTING FOR SILICONE TUBE	PORTAGOMMA A T PER TUBO SILICONE
15	5.V010	FASTENER ADHESIVE SUPPORT	INCOLLINO
<b>Item</b>	<b>Part number/Codice</b>	<b>Description</b>	<b>Descrizione</b>

# FITTINGS AND VALVES





**la marzocco**

handmade in florence

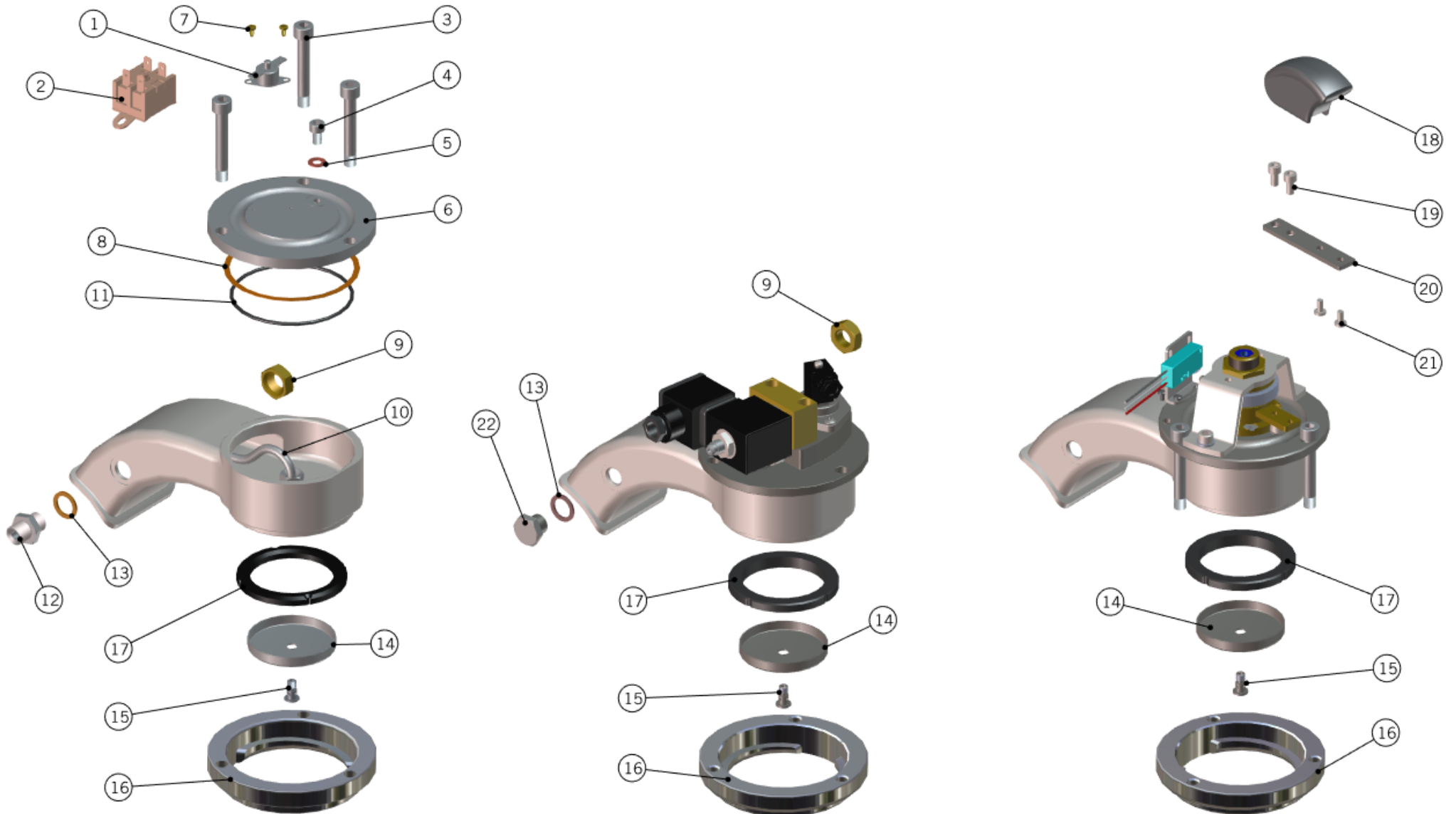
## FITTINGS AND VALVES

<b>Raccordi e Valvole</b>	1	L100/H	3-WAY SOLENOID VALVE VITON PLUNGER	NUCLEO MOBILE X EV.3 VIE VITON
	2	L100/G.01	SV COIL 220-240V 8W UL CSA VDE	BOBINA EV 220-240V 8W UL CSA VDE
		L100/G200	SOLENOID COIL 200V	BOBINA PER ELETTROVALVOLA 200V
	3	L134/4	FERRULE BLIND 8X4 TREATED	GHIANDINA CIECA 8X4 TRATTATO
	4	L134	FITTING G1/8F H14 WR14 D4 BRASS	RACCORDO G1/8F H14 CH14 D4 OTTONE
	5	L205	SOLENOID VALVE CONNECTOR	CONNETTORE PER ELETTROVALVOLA
	6	B.2.004.02	SOLENOID VALVE 3 WAY 90° 220/240V	ELETTROVALVOLA 3 VIE A 90° 220/240V
	7	L053.02	SOLENOID VALVE 2 WAY 220/240V	ELETTROVALVOLA 2 VIE 220/240V
		L053/200.01	SOLENOID VALVE 2 WAY 200V	ELETTROVALVOLA 2 VIE 200V
	8	L100/E.02	SOLENOID VALVE 3 WAY 220/240V	ELETTROVALVOLA 3 VIE 220/240V
		L100/E200.01	SOLENOID VALVE 3 WAY 200V	ELETTROVALVOLA 3 VIE 200V
9	L100/G.01	SV COIL 220-240V 8W UL CSA VDE	BOBINA EV 220-240V 8W UL CSA VDE	
10	B.2.004.P	SOLENOID VALVE PLUNGER (RUBY)	NUCLEO PER ELETT.VALVOLA RUBINO	
Item	Part number/Codice	Description		Descrizione



**la marzocco**  
handmade in florence

# COFFEE BOILER - GROUP





la marzocco

handmade in florence

# COFFEE BOILER - GROUP

Caldaia Caffè

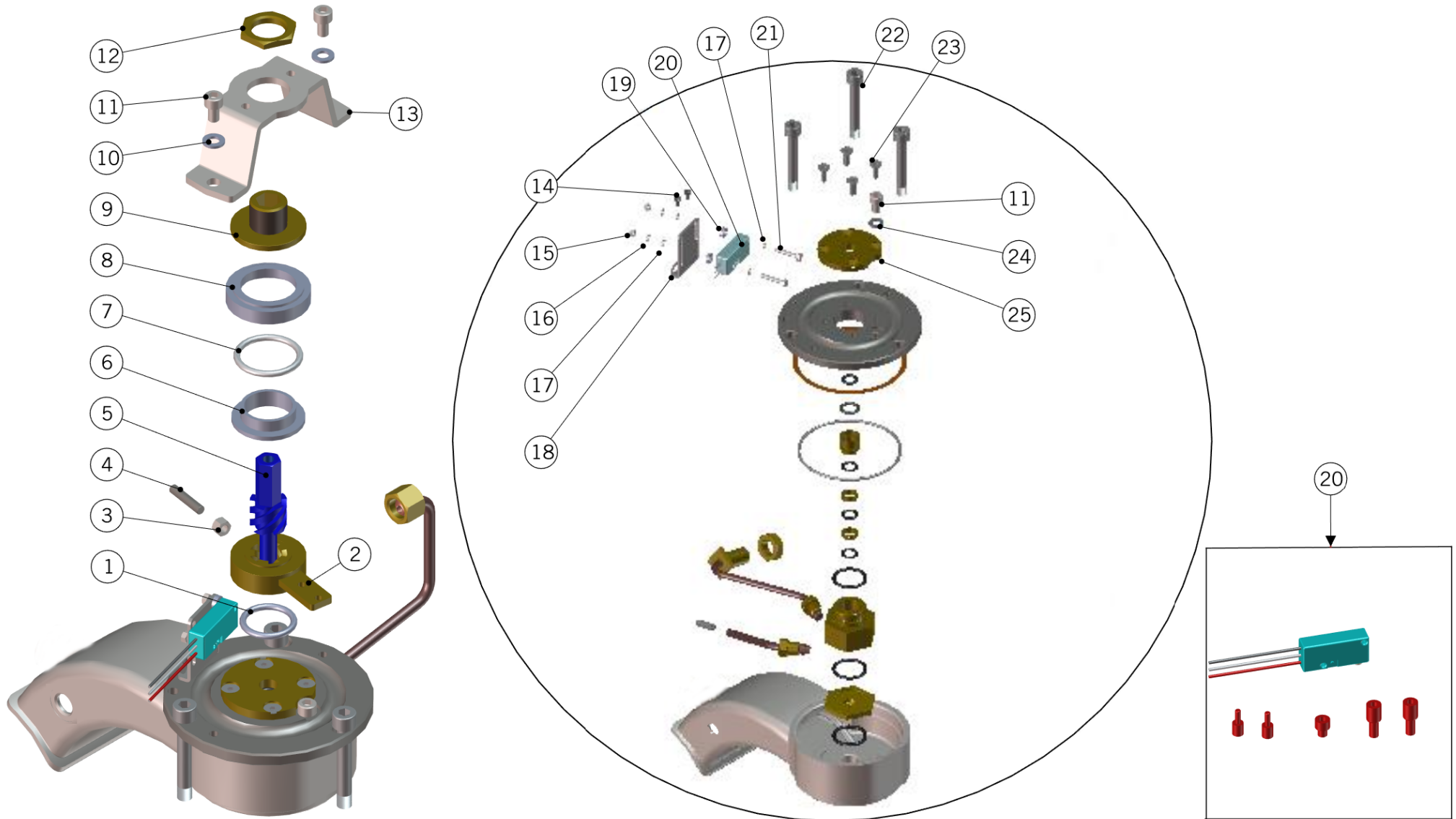
1	L276.01	SAFETY THERMOSTAT 1P TRIP FREE 130C 250V	TERMOSTATO UNIPOL. TRIP FREE 130C 250V
2	L276/B	SAFETY THERMOSTAT 2P 130C 250V	TERMOSTATO BIPOL. 130C 250V
3	L110.01	SCREW M8X52 SOCKET CAP S/S A2 70	VITE M8X52 TC A BRUGOLA INOX A2 70
4	L120/2	SCREW M6X10 SOCKET CAP S/S A2	VITE M6X10 TC A BRUGOLA INOX A2
5	L120/2A	WASHER 6,3X12X1 COPPER	RONDELLA 6,3X12X1 RAME
6	A.5.024	GROUP CAP S/S LINEA	GROUP CAP INOX LINEA
7	VITEAUT2.9X4.5	SELF TAP. SCREW 2,9X4,5 PHIL.ROUND-PAN	VITEAUT. 2,9X4,5 TCB A CROCE ZINCATA
8	L103/B	FIBER GASKET 87X81X0,5	GUARNIZ. PIANA 87X81X0.5 NOVUS
9	L100/5	NUT G1/4 H8 WR20 BRASS	DADO G1/4 H8 CH20 OTTONE
10	TL29.01	INTERNAL GRP TUBE	TUBO ALIMENT/NE INTERNO GRUPPO IN TEA
11	L103/A	O-RING 2,62X75,87 VITON 70 ShA FDA	O-RING 2,62X75,87 VITON 70 ShA FDA
12	L037/3.01	NIPPLE G1/4M-G1/4M WR19 H25.5 BRASS TR.	NIPPLO G1/4M-G1/4M CH19 H25.5 OT. TR.
13	L100/1A	WASHER 13,5X19X1,5 COPPER	RONDELLA 13,5X19X1,5 RAME
14	F.3.040.01	COFFEE SHOWER SCREEN W/LOGO H6.5	DOCCETTA RINFORZATA C/LOGO H6.5
15	A.5.110	DIFFUSER SCREW M6 Ø10 S/S	VITE DIFFUSORE M6 Ø10 INOX
16	L109.01	BAYONET RING	ANELLO CROMATO
17	H.3.001	GROUP GASKET NBR 72/63x55x8	GUARNIZIONE SOTTOCOPPA NBR 72/63x55x8
	H.3.002	GROUP GASKET NBR 72/63x55x9	GUARNIZIONE SOTTOCOPPA NBR 72/63x55x9
	H.3.007	GROUP GASKET SILICONE 71,6/55x8,2	GUARNIZ. SOTTOCOPPA SILICONE 71,6/55x8,2
18	C.2.030	GB/5 BAKELITE PADDLE HANDLE	MANIGLIA PADDLE GB/5 BAKELITE
19	I.1.005	SCREW M5X10 SOCKET CAP S/S A2	VITE M5X10 TC A BRUGOLA INOX A2
20	F.3.025	S/S PADDLE LEVER GB/5 MM141	LEVA INOX PADDLE GB/5 MM 141
21	I.1.006	SCREW M4X8 PHILLIPS BUTTON HEAD S/S A2	VITE M4X8 TPB A CROCE INOX A2
22	A.5.022	CAP G1/4 H15,5 WR19 S/S	TAPPO G1/4 H15,5 CH19 INOX
<b>Item</b>	<b>Part number/Codice</b>	<b>Description</b>	<b>Descrizione</b>





**la marzocco**  
handmade in florence

# COFFEE BOILER - MP





la marzocco

handmade in florence

# COFFEE BOILER - MP

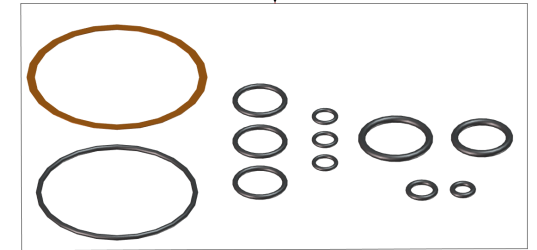
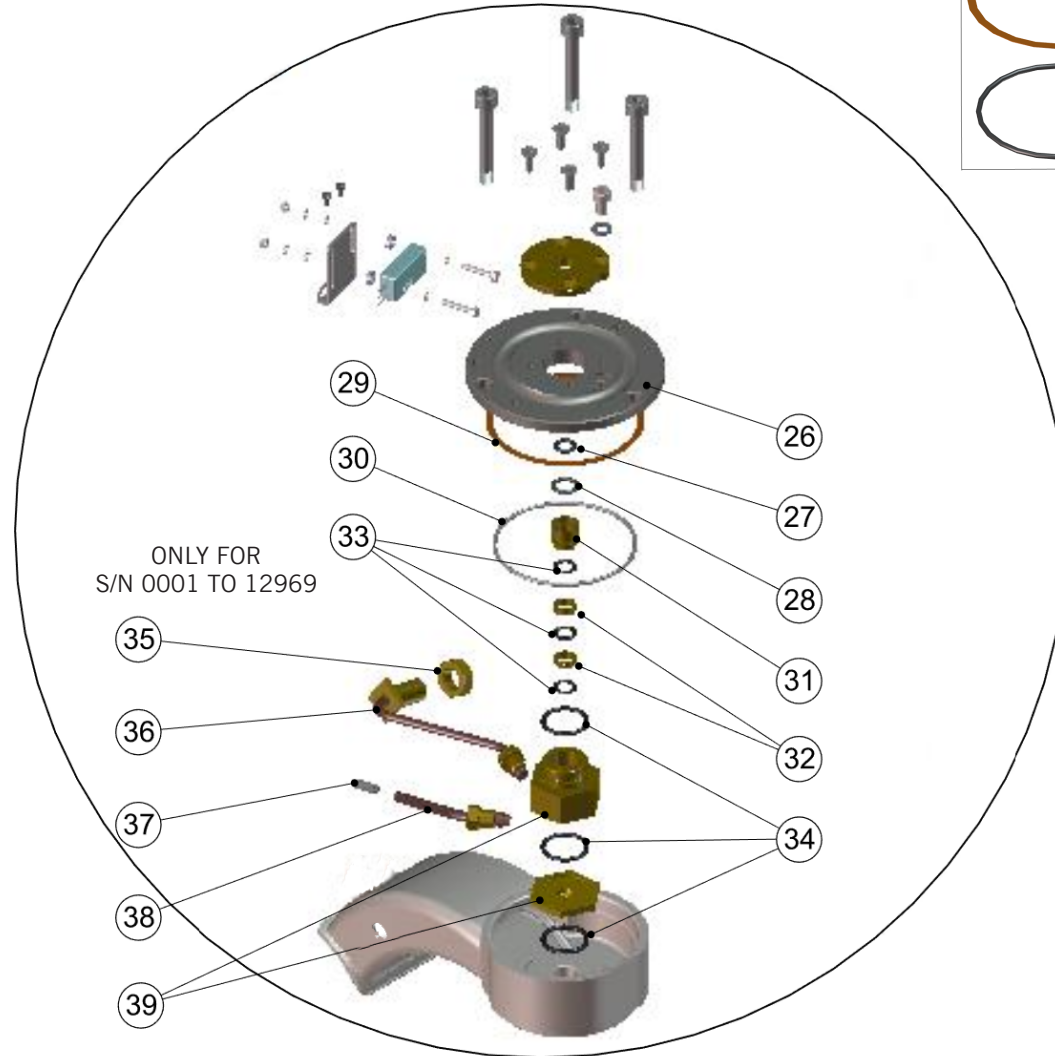
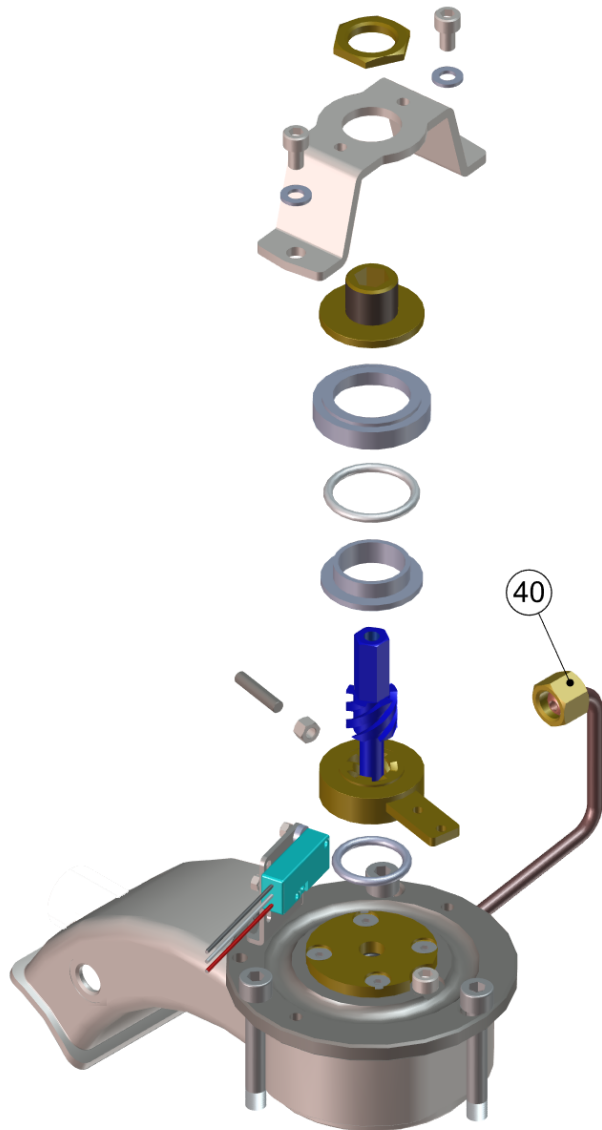
Caldaia Caffè

1	F.4.010	O-RING 3,53X23,42 PTFE	O-RING 3,53X23,42 PTFE
2	A.1.010	WORM NUT SCREW MP VALVE	MADREVITE SENZA FINE VALVOLA MP
3	DADO5M_INOX	NUT M5 H4 WR8 S/S A2	DADO M5 H4 CH8 INOX A2
4	A.5.005	PIN D5X23 THREAD M5X7,5 S/S	PERNO D5X23 FILETT. M5X7,5 INOX
5	A.5.003	SHAFT FOR PADDLE	ALBERINO PADDLE
6	F.4.009	PADDLE VALVE TEFLON RING D39	ANELLO TEFLON VALVOLA PADDLE D39
7	H.1.016	O-RING 3,53X29,74 NBR 70 SH	O-RING 3,53X29,74 NBR 70 SH
8	F.4.008	PADDLE VALVE TEFLON RING D45	ANELLO TEFLON VALVOLA PADDLE D45
9	A.1.014	BRONZE WASHER HEX PADDLE	ROND BRONZO GUIDA ES. PADDLE
10	RONDELLA6X12	WASHER 6,4X12X1,5 S/S A2	RONDELLA 6,4X12X1,5 INOX A2
11	L120/2	SCREW M6X10 SOCKET CAP S/S A2	VITE M6X10 TC A BRUGOLA INOX A2
12	A.4.003	NUT M20 H6,5 WR27 BRASS	DADO M20 H6,5 CH27 OTTONE
13	F.3.020	BRACKET GROUP MP	CAVALLOTTO GRUPPO MP
14	VITE3X10	SCREW M3X10 PHILLIPS ROUND-PAN S/S A2	VITE M3X10 TCB A CROCE INOX A2
15	DADO3M	NUT M3 H3 WR5,5 BRASS	DADO M3 H3 CH5,5 OTTONE
16	I.3.007	TOOTH LOCK WASHER 3,4X6X0,5 GALVANIZED	ROND.DENTATA 3,4X6X0,5 ZINCATA
17	RONDINOXGS/3	WASHER 3X6X0,5 S/S A2	RONDELLA 3X6X0,5 INOX A2
18	C.1.067	BRACKET MICROSWITCH GS3	SUPPORTO MICROINTERRUTTORE GS3
19	I.3.004	SPACER 3,5X8X2,5 AL	DISTANZIALE 3,5X8X2,5 ALLUMINIO
20	E.2.039	MICROSWITCH KIT WITH LUGS	KIT MICROINTERRUTTORE C/CAPICORDA
21	I.1.055	SCREW M3X20 HEX HEAD S/S A2	VITE M3X20 TE INOX A2
22	L110.01	SCREW M8X52 SOCKET CAP S/S A2 70	VITE M8X52 TC A BRUGOLA INOX A2 70
23	VITE5X10	SCREW M5X10 SOCKET COUNTERSUNK S/S A2	VITE M5X10 TS A BRUGOLA INOX A2
24	L120/2A	WASHER 6,3X12X1 COPPER	RONDELLA 6,3X12X1 RAME
25	A.1.015	BRASS WASHER FOR PADDLE	ROND OTT PREMICORPO VALVOLA PADDLE
<b>Item</b>	<b>Part number/Codice</b>	<b>Description</b>	<b>Descrizione</b>

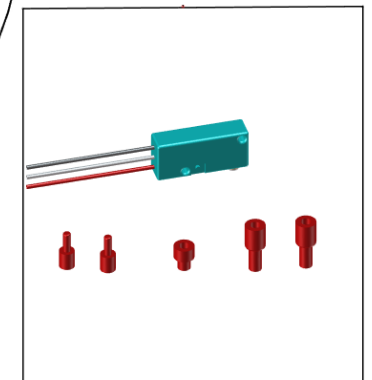


la marzocco  
handmade in florence

# COFFEE BOILER - MP



41





**la marzocco**

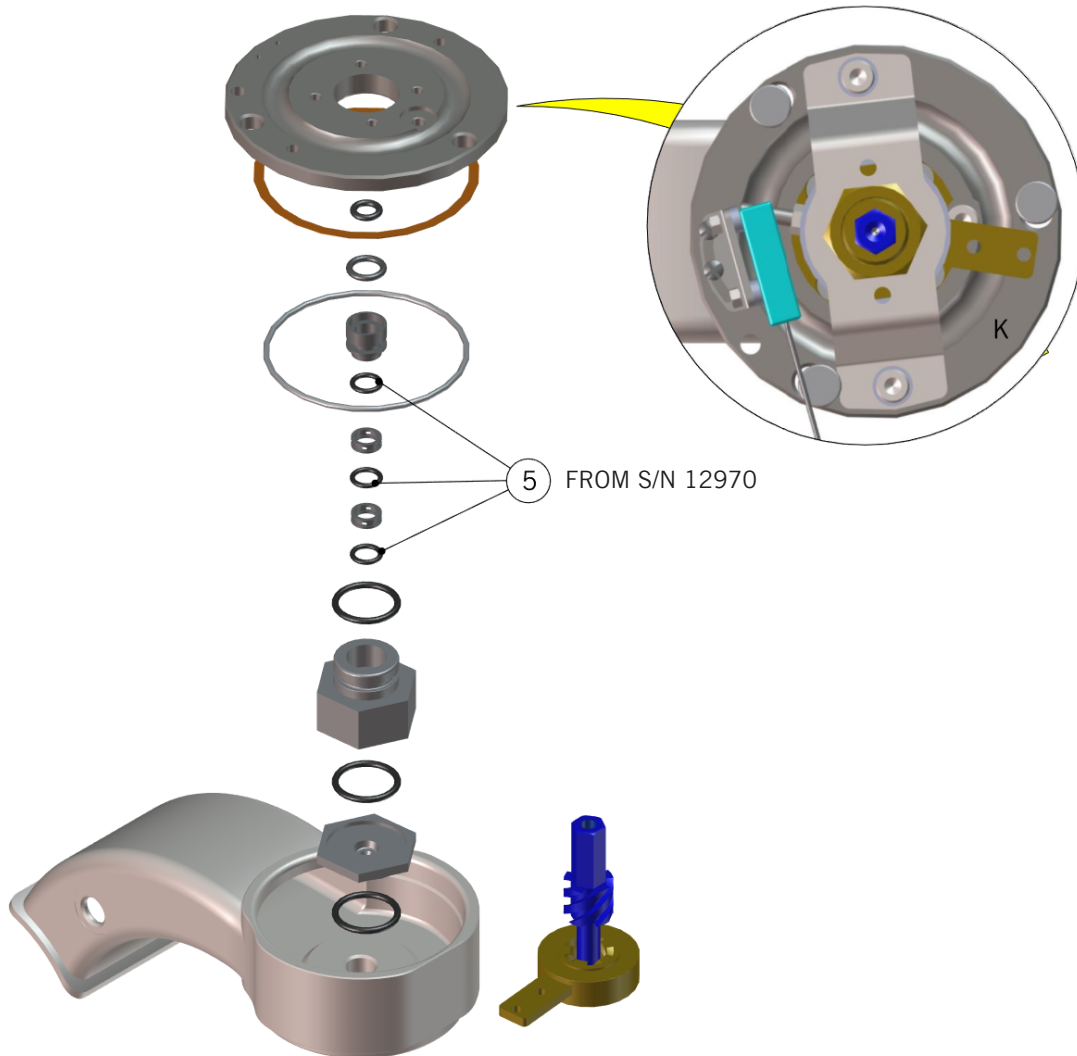
handmade in florence

# COFFEE BOILER - MP

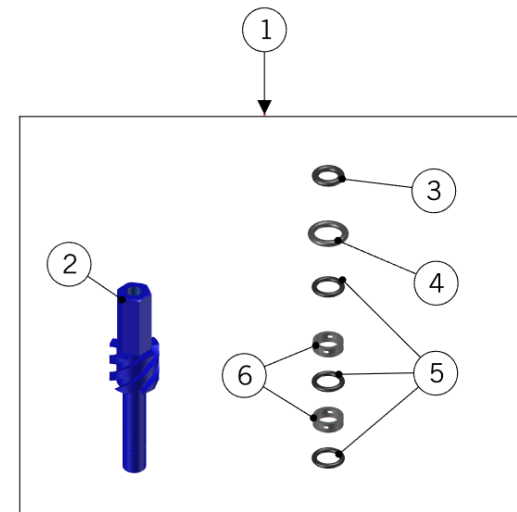
**Caldaia Caffè**

26	A.5.026	GROUP CAP S/S MP	GROUP CAP INOX MP
27	H.1.018	ORING 109 (2-110) EPDM 70 SHA	OR 109 - (2-110) IN EPDM - 70SHA
28	H.1.019	O-RING 2,62X10,77 EPDM 70 SH	O-RING 2,62X10,77 EPDM 70 SH
29	L103/B	FIBER GASKET 87X81X0,5	GUARNIZ. PIANA 87X81X0.5 NOVUS
30	L103/A	O-RING 2,62X75,87 VITON 70 ShA FDA	O-RING 2,62X75,87 VITON 70 ShA FDA
31	B.2.015.03	PADDLE GLAND AISI304L ELECT.POL.	PREMISTOPPA PADDLE AISI304L ELETTROLUC.
32	B.2.014.03	SPACER 9,3X12X4 S/S	DISTANZIALE 9,3X12X4 INOX
33	H.1.011.01	O-RING 1,78X9,25 EPDM 70 SH	O-RING 1,78X9,25 EPDM 70 SH
34	H.1.010.01	O-RING 2,62X21,89 EPDM 70 SH	O-RING 2,62X21,89 EPDM 70 SH
35	L100/5	NUT G1/4 H8 WR20 BRASS	DADO G1/4 H8 CH20 OTTONE
36	T.1.100.01	DRAIN TUBE MP VALVE	TUBO SCARICO VALVOLA MP
37	F.2.003	GICLEUR 0,6 M5 RUBY + S/S	GICLEUR 0,6 M5 RUBINO + INOX
	F.2.003.08	GICLEUR 0,8 M5 RUBY AND S/S	GICLEUR 0,8 M5 RUBINO E INOX
38	T.1.101.01	TUBE WATER INLET MP VALVE	TUBO CARICO ACQUA VALVOLA MP
39	B.2.012.R	PADDLE VALVE BODY + ADAPTOR	CORPO VALV. PADDLE + ADATTATORE
40	T.1.102	DRAIN TUBE MP GROUP	TUBO SCARICO GRUPPO MP
41	SA600.01.K	REBUILD KIT PADDLE	KIT MANUTENZIONE PADDLE
<b>Item</b>	<b>Part number/Codice</b>	<b>Description</b>	<b>Descrizione</b>

# COFFEE BOILER - MP



All machines produced after March 2015 will have the group caps marked with a 'K' to indicate that they have been fitted with the new o-rings.



PLEASE CONTACT AFTER SALES DEPARTMENT FOR FURTHER INFORMATION.



**la marzocco**

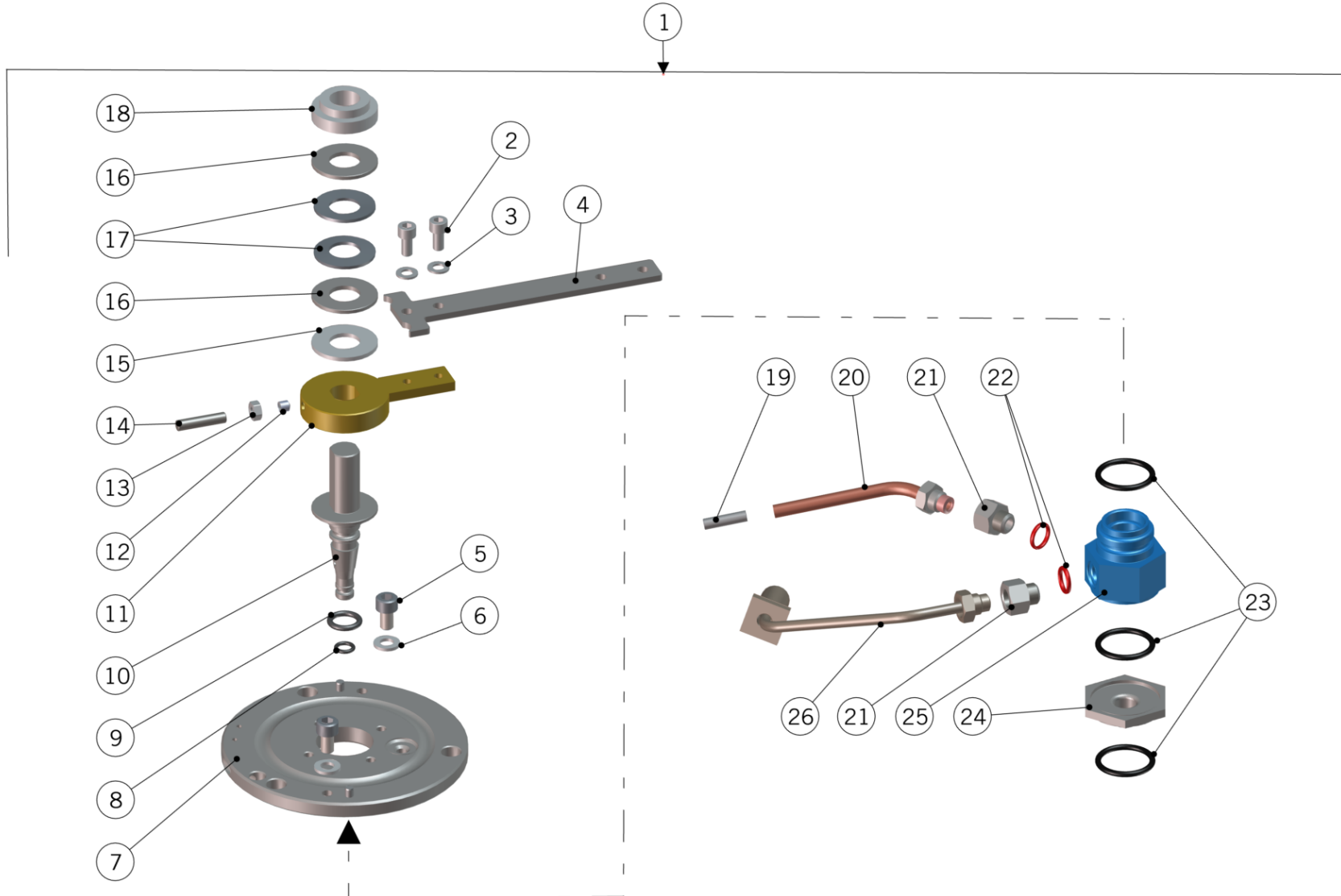
handmade in florence

## COFFEE BOILER - MP

<b>Caldaia Caffè</b>	1	926	KIT PADDLE LINEA/GB5/GS3	KIT PADDLE LINEA/GB5/GS3
	2	A.5.003	SHAFT FOR PADDLE	ALBERINO PADDLE
	3	H.1.018	ORING 109 (2-110) EPDM 70 SHA	OR 109 - (2-110) IN EPDM - 70SHA
	4	H.1.019	O-RING 2,62X10,77 EPDM 70 SH	O-RING 2,62X10,77 EPDM 70 SH
	5	H.1.024	O-RING 1,78X9,25 KALREZ 6230	O-RING 1,78X9,25 KALREZ 6230
	6	B.2.014.03	SPACER 9,3X12X4 S/S	DISTANZIALE 9,3X12X4 INOX
	Item	Part number/Codice	Description	

PLEASE CONTACT AFTER SALES DEPARTMENT FOR FURTHER INFORMATION.

# COFFEE BOILER - RETROFIT KIT CONICAL PADDLE MP





la marzocco

handmade in florence

# COFFEE BOILER - RETROFIT KIT CONICAL PADDLE MP

Paddle Conico

1	934	RETROFIT KIT CONICAL PADDLE LINEA / GB5	RETROFIT KIT PADDLE CONICI LINEA / GB5
2	I.1.005	SCREW M5X10 SOCKET CAP S/S A2	VITE M5X10 TC A BRUGOLA INOX A2
3	I.1.039	WASHER 5,4X10X1 S/S A2	RONDELLA 5,4X10X1 INOX A2
4	C.1.267	LEVER S/S CONICAL PADDLE VALVE LINEA PB	LEVA INOX VALVOLA PADDLE CONICO LINEA PB
5	L120/2	SCREW M6X10 SOCKET CAP S/S A2	VITE M6X10 TC A BRUGOLA INOX A2
6	RONDELLA6X12	WASHER 6,4X12X1,5 S/S A2	RONDELLA 6,4X12X1,5 INOX A2
7	A.5.026	GROUP CAP S/S MP	GROUP CAP INOX MP
8	H.1.006	O-RING 1,78x6,07 VITON	O-RING 1,78x6,07 VITON
9	H.1.018	ORING 109 (2-110) EPDM 70 SHA	OR 109 - (2-110) IN EPDM - 70SHA
10	A.5.048	SHAFT CONICAL PADDLE VALVE	ALBERO VALVOLA PADDLE CONICO
11	F.8.005	LEVER CONICAL PADDLE VALVE	LEVA VALVOLA PADDLE CONICO
12	I.1.016	SOCKET GRUB SCREW M5X5 S/S A2	GRANO M5X5 A BRUGOLA INOX A2
13	DADO5M_INOX	NUT M5 H4 WR8 S/S A2	DADO M5 H4 CH8 INOX A2
14	A.5.005	PIN D5X23 THREAD M5X7,5 S/S	PERNO D5X23 FILETT. M5X7,5 INOX
15	I.6.005	WASHER 14,1X30X2 PTFE	RONDELLA 14,1X30X2 PTFE
16	I.1.091	WASHER 14,2X30X2 S/S	RONDELLA 14,2X30X2 INOX
17	I.5.004	BELLEVILLE SPRING	MOLLA A TAZZA PADDLE CONICO 28X14,2X1,5
18	F.4.012	BUSHING FLANGED 14X23X9,8 PTFE	BOCCOLA FLANGIATA 14X23X9,8 PTFE
19	F.2.003	GICLEUR 0,6 M5 RUBY + S/S	GICLEUR 0,6 M5 RUBINO + INOX
20	T.1.187	TUBE WATER INLET MP VALVE	TUBO CARICO ACQUA VALVOLA PADDLE CONICO
21	A.5.049	FITTING G1/8M-G1/8F WR14 S/S	RACCORDO G1/8M-G1/8F CH14 INOX
22	H.1.011.01	O-RING 1,78X9,25 EPDM 70 SH	O-RING 1,78X9,25 EPDM 70 SH
23	H.1.010.01	O-RING 2,62X21,89 EPDM 70 SH	O-RING 2,62X21,89 EPDM 70 SH
24	A.5.047	ADAPTOR GROUP CONICAL V.	ADATTATORE GRUPPO V.PADDLE CONICO
25	A.6.003	BODY CONICAL PADDLE VALVE	CORPO VALVOLA PADDLE CONICO
26	T.1.188	DRAIN TUBE MP VALVE	TUBO SCARICO VALVOLA PADDLE CONICO
<b>Item</b>	<b>Part number/Codice</b>	<b>Description</b>	<b>Descrizione</b>

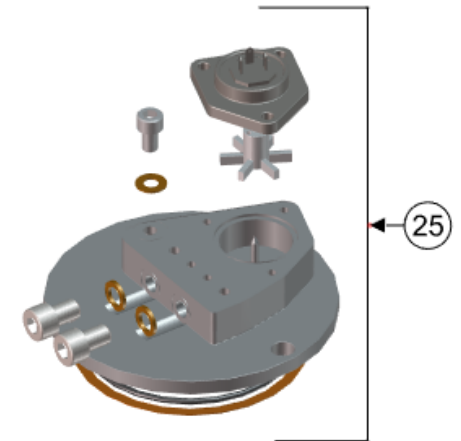
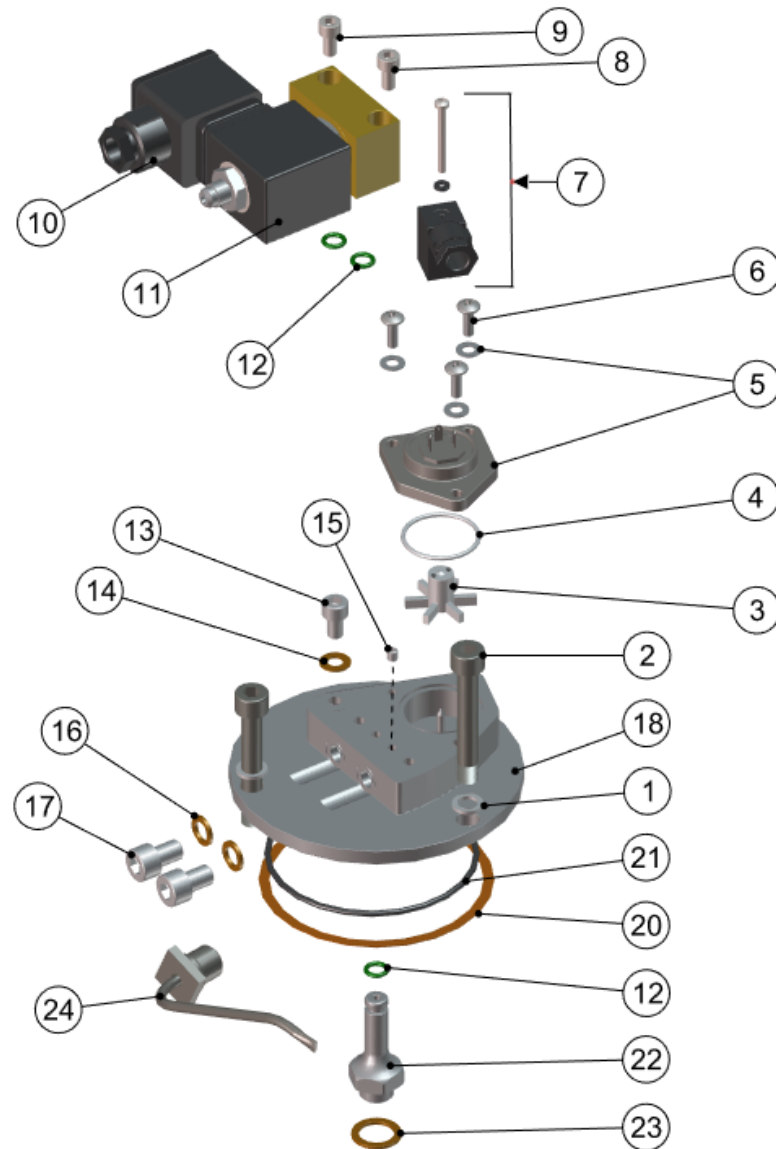
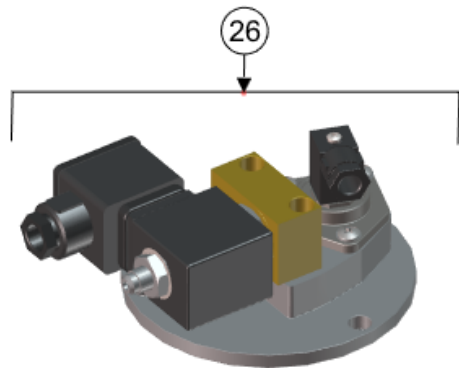
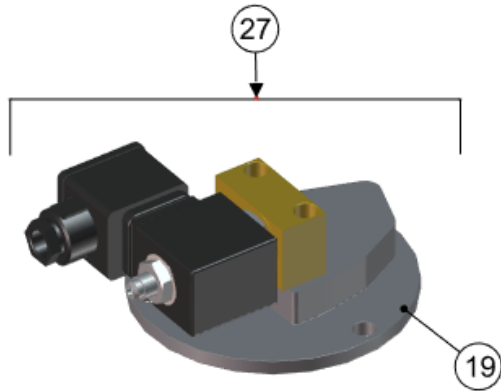




la marzocco

handmade in florence

# COFFEE BOILER - GROUP CAP AV & EE





la marzocco

handmade in florence

# COFFEE BOILER - GROUP CAP AV & EE

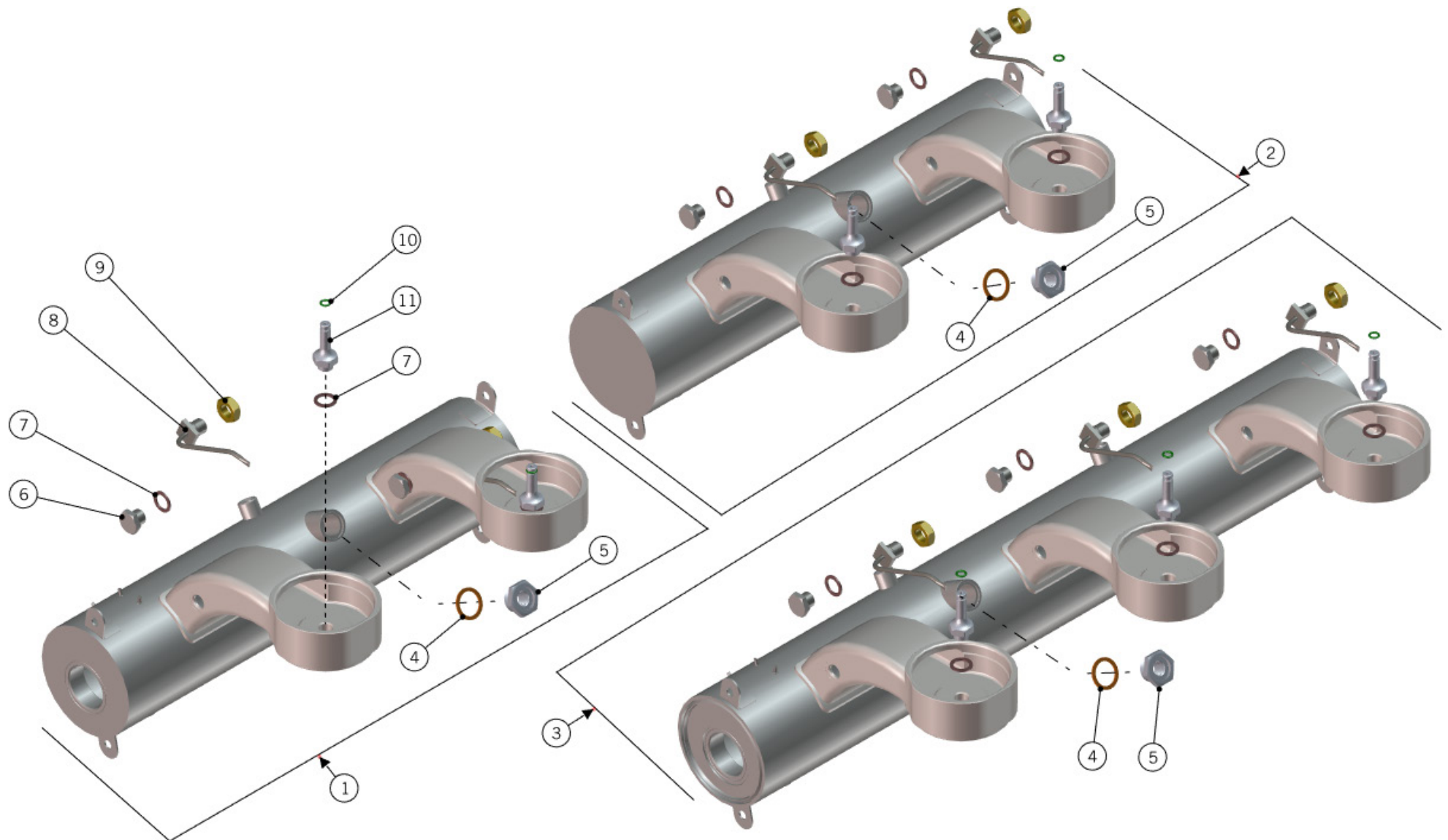
Caldaia Caffè

1	L1003	WASHER 8,5X14X1,5 S/S A2	RONDELLA 8,5X14X1,5 INOX A2
2	L110.01	SCREW M8X52 SOCKET CAP S/S A2 70	VITE M8X52 TC A BRUGOLA INOX A2 70
3	LAD070/V	FLOW METER IMPELLER	GIRANTE X CONTATORE VOLUMET.
4	LAD070/S1	FLOW METER O-RING	GUARN.OR 8-2112 V.X CONT.VOL.
5	LAD070/GC.R	KIT FLOWMETER HEAD	KIT TESTA CONT. VOLUM. FLUSS.
6	CL22/V	SCREW M4X12 PHILLIPS BUTTON HEAD S/S A2	VITE M4X12 TPB A CROCE INOX A2
7	LAD070/CGC	CONNECTORS FLOWMETER KIT	CONNETTORE CONT VOL. KIT FLUSSOMETRO
8	I.1.011	SCREW M5X14 SOCKET CAP S/S A2	VITE M5X14 TC A BRUGOLA INOX A2
9	I.1.005	SCREW M5X10 SOCKET CAP S/S A2	VITE M5X10 TC A BRUGOLA INOX A2
10	L205	SOLENOID VALVE CONNECTOR	CONNETTORE PER ELETTROVALVOLA
11	L100/G.01	SV COIL 220-240V 8W UL CSA VDE	BOBINA EV 220-240V 8W UL CSA VDE
12	H.1.006	O-RING 1,78x6,07 VITON	O-RING 1,78x6,07 VITON
13	L120/2	SCREW M6X10 SOCKET CAP S/S A2	VITE M6X10 TC A BRUGOLA INOX A2
14	L120/2A	WASHER 6,3X12X1 COPPER	RONDELLA 6,3X12X1 RAME
15	F.3.032.01	GICLEUR 0,6 M4 CH2 RUBY + S/S	GICLEUR 0,6 M4 CH2 RUBINO + INOX
	F.3.033.01	GICLEUR 0,7 M4 CH2 RUBY + S/S	GICLEUR 0,7 M4 CH2 RUBINO + INOX
	F.3.034.01	GICLEUR 0,8 M4 CH2 RUBY + S/S	GICLEUR 0,8 M4 CH2 RUBINO + INOX
16	I.4.002	WASHER 8,3X12X1,5 COPPER	RONDELLA 8,3X12X1,5 RAME
17	I.1.019.01	SCREW M8X8 SOCKET CAP S/S A2	VITE M8X8 TC A BRUGOLA INOX A2
18	A.5.023	GROUP CAP S/S FLOWMETER W/GICLEUR	GROUP CAP CONT. VOL. C/GICLEUR
19	A.5.027	GROUP CAP S/S EE	GROUP CAP INOX EE
20	L103/B	FIBER GASKET 87X81X0,5	GUARNIZ. PIANA 87X81X0.5 NOVUS
21	L103/A	O-RING 2,62X75,87 VITON 70 ShA FDA	O-RING 2,62X75,87 VITON 70 ShA FDA
22	A.2.009.01	S/S GROUP ADAPTER	CANOTTO EROGAZIONE INOX
23	L100/1A	WASHER 13,5X19X1,5 COPPER	RONDELLA 13,5X19X1,5 RAME
24	B.1.003.01	RIGHT SIDE GROUP NECK CAP	TAPPO DX PER GRUPPO TRATT TEA
25	SA944	GROUP CAP ASSEMBLY GB5 / PB	COPERCHIO GRUPPI AV INOX DI FORGIATURA
26	940/AV.02	STAINLESS STEEL AV GROUP CAP ASSEMBLY	KIT NUOVO COPERCHIO INOX PER AV
27	940/EE.01	GROUP CAP ASSY FOR LINEA EE	COPERCHIO GRUPPO PER LINEA EE
<b>Item</b>	<b>Part number/Codice</b>	<b>Description</b>	<b>Descrizione</b>



**la marzocco**  
handmade in florence

# COFFEE BOILER ASSEMBLY





**la marzocco**

handmade in florence

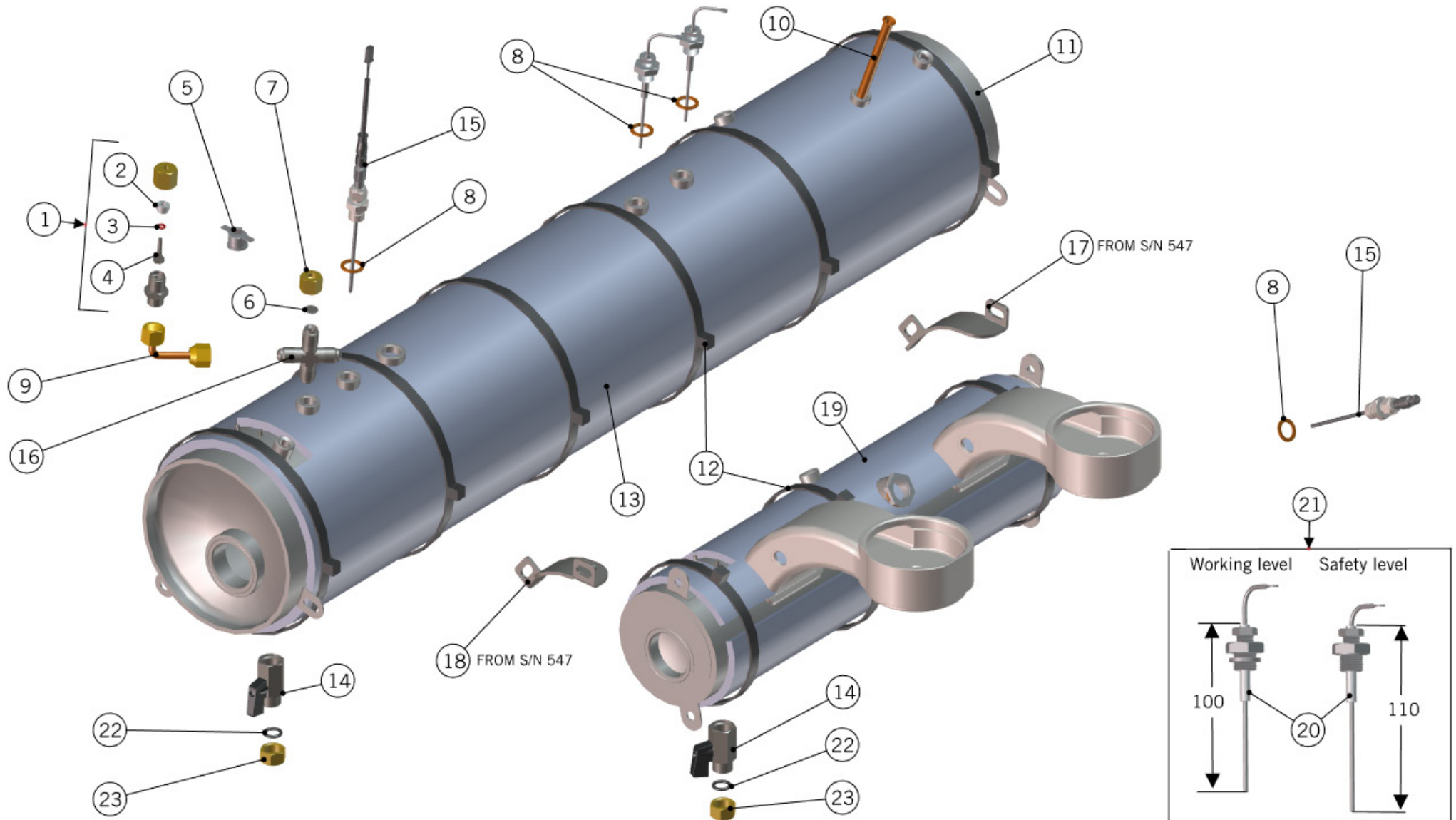
# COFFEE BOILER ASSEMBLY

Caldaie Caffè Ri- cambi	1	L.1.005.2GB.R	COFFEE BOILER FLAT SIDE 2GR	CALDAIA CAFFE' FOND. PIATTI 2GR
	2	L.1.005.2DGB.R	COFFEE BOILER FLAT SIDE DX 2GR	CALDAIA CAFFE' FOND. PIATTI DX 2GR
	3	L.1.005.3GB.R	COFFEE BOILER FLAT SIDE 3GR	CALDAIA CAFFE' FOND. PIATTI 3GR
	4	L260/1A	WASHER 21X27X1,5 COPPER	RONDELLA 21X27X1,5 RAME
	5	A.2.007	PT1000 PROBE ADAPTOR	RIDUZIONE PER SONDA PT1000
	6	A.5.022	CAP G1/4 H15,5 WR19 S/S	TAPPO G1/4 H15,5 CH19 INOX
	7	L100/1A	WASHER 13,5X19X1,5 COPPER	RONDELLA 13,5X19X1,5 RAME
	8	B.1.003.01	RIGHT SIDE GROUP NECK CAP	TAPPO DX PER GRUPPO TRATT TEA
	9	L100/5	NUT G1/4 H8 WR20 BRASS	DADO G1/4 H8 CH20 OTTONE
	10	H.1.006	O-RING 1,78x6,07 VITON	O-RING 1,78x6,07 VITON
	11	A.2.009.01	S/S GROUP ADAPTER	CANOTTO EROGAZIONE INOX
Item	Part number/Codice		Description	Descrizione



la marzocco  
handmade in florence

# BOILER ASSEMBLY





la marzocco

handmade in florence

# BOILER ASSEMBLY

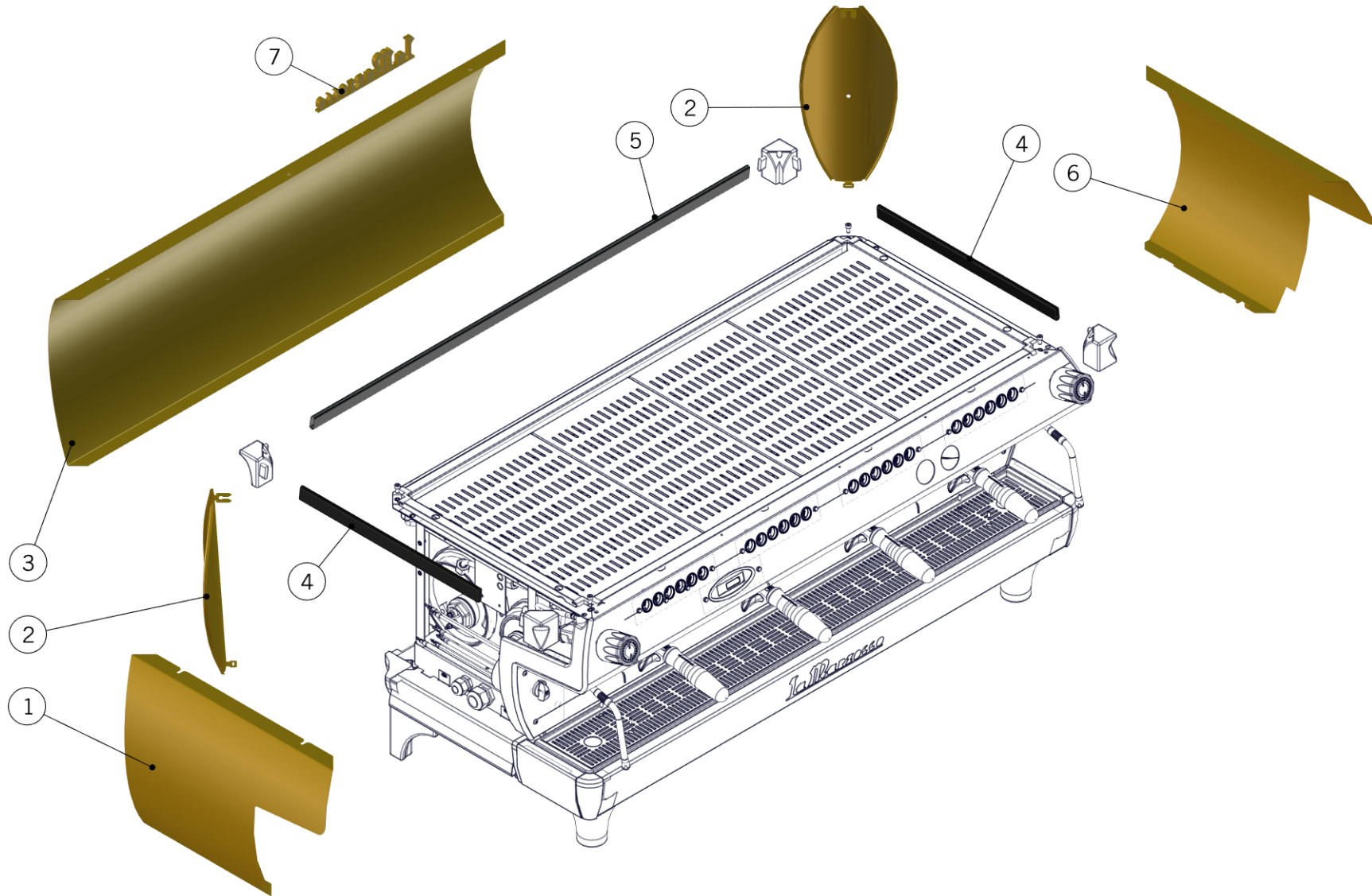
Caldai

1	L190	VACUUM BREAKER VALVE	VALVOLA DECOMPRESSIONE 1/4GAS
2	B.3.001	BUSHING FLANGED 5X9X6,5 PTFE	BOCCOLA FLANGIATA 5X9X6,5 PTFE
3	F.2.019	O-RING 1,78X3,68 SILICONE 70 SH	O-RING 1,78X3,68 SILICONE 70 SH
4	B.2.013.01	ANTI-SUCTION VALVE SHAFT TREATED	ALBERINO V. ANTIRISUCCHIO TRATTATA
5	L276.01	SAFETY THERMOSTAT 1P TRIP FREE 130C 250V	TERMOSTATO UNIPOL. TRIP FREE 130C 250V
6	L137/4	FERRULE BLIND 11X3 TREATED	GHIANDINA CIECA 11X3 TRATTATO
7	L130/4	FITTING G1/4F H13,5 WR17 BRASS	RACCORDO G1/4F H13,5 CH17 OTTONE
8	L100/1A	WASHER 13,5X19X1,5 COPPER	RONDELLA 13,5X19X1,5 RAME
9	T.1.060	TUBE STEAM B. - VACUUM BREAKER V. GB5	TUBO C.VAPORE - V. DECOMPRESSIONE GB5
10	TL07/G	HOT WATER SUCTION PIPE	TUBO PESCAGGIO ACQUA C.V.GRANDE
11	L154/2VGB5.R	STEAM BOILER CONCAVE SIDE 2GR W/PREH.	CALDAIA VAPORE FOND.CURVI C/PRERISC. 2GR
	L154/3VGB5.R	STEAM BOILER CONCAVE SIDE 3GR W/PREH.	CALDAIA VAPORE FOND.CURVI C/PRERISC. 3GR
	L154/4VGB5.R	STEAM BOILER CONCAVE SIDE 4GR W/PREH.	CALDAIA VAPORE FOND.CURVI C/PRERISC. 4GR
12	A.5.016.01	PLASTIC FASTENER 750X7.5	FASCETTA NERA 750x7.5 NYLON
13	F.7.008	INSULATION PANEL 4GR LINEA&GB5 STEAM B.	ISOLANTE C. VAPORE LINEA E GB5 4GR
	F.7.010	INSULATION PANEL 3GR GB5 STEAM B.	ISOLANTE C. VAPORE GB5 3GR
	F.7.012	INSULATION PANEL 420X515X15 STEAM B. 2GR	ISOLANTE 420X515X15 C.VAPORE 2GR
14	L164.02	BALL VALVE G3/8M-G3/8F BRASS TREATED	RUBINETTO A SFERA G3/8M-G3/8F OTTONE TR.
15	E.1.005	TEMPERATURE PROBE PT1000 100MM	SONDA TEMPERATURA PT1000 100MM
16	L129.01	CROSS FITTING G1/4M WR13 BRASS TREATED	RACCORDO A CROCE G1/4M CH13 OTTONE TR.
17	C.1.036.DX	BRACKET RIGHT BOILER GB5	STAFFA DESTRA CALDAIA GB5
18	C.1.036.SX	BRACKET LEFT BOILER GB5	STAFFA SINISTRA CALDAIA GB5
19	F.7.004	INSULATION PANEL 2GR COFFEE BOILER	ISOLANTE C. CAFFE' 2GR
	F.7.005	INSULATION PANEL 3GR COFFEE BOILER	ISOLANTE C. CAFFE' 3GR
20	LA052/1	TEFLON INSULATOR PROBE	ISOLATORE IN TEFLON X SONDA
21	LA052	WATER LEVEL PROBE	SONDA LIVELLO TL10/B 140MM.
22	H.1.004	O-RING 2,62x10,77 EPDM 85 SH	O-RING 2,62x10,77 EPDM 85 SH
23	L030	CAP NUT G3/8 H11 WR19 BRASS	DADO CIECO CILINDRICO G3/8 H11 WR19 OTT.
<b>Item</b>	<b>Part number/Codice</b>	<b>Description</b>	<b>Descrizione</b>



la marzocco  
handmade in florence

# GB5 - BRASS TREATMENT





**la marzocco**

handmade in florence

## GB5 - BRASS TREATMENT

Brass Treatment	1	C.1.013.55	PANEL LEFT SIDE GB5 BRASS FINISH	FIANCATA SX GB5 OTTONATA
	2	C.1.016.55	GB5 SHIELD BRASS FINISHING	SCUDO GB5 FINITURA OTTONE
	3	C.1.015.2.55	PANEL BACK GB5 2GR BRASS FINISH	PANNELLO POST. GB5 2GR OTTONATO
		C.1.015.3.55	PANEL BACK GB5 3GR BRASS FINISH	PANNELLO POST. GB5 3GR OTTONATO
		C.1.015.4.55	PANEL BACK GB5 4GR BRASS FINISH	PANNELLO POST. GB5 4GR OTTONATO
	4	C.1.018.70	RAILING SIDE GB5 BLACK	RINGHIERA LATERALE GB5 NERA
	5	C.1.017.2.70	RAILING BACK GB5 2GR BLACK	RINGHIERA POSTERIORE GB5 2GR NERA
		C.1.017.3.70	RAILING BACK GB5 3GR BLACK	RINGHIERA POSTERIORE GB5 3GR NERA
		C.1.017.4.70	RAILING BACK GB5 4GR BLACK	RINGHIERA POSTERIORE GB5 4GR NERA
	6	C.1.014.55	PANEL RIGHT SIDE GB5 BRASS FINISH	FIANCATA DX GB5 OTTONATA
7	D.1.001.55	LA MARZOCCO LOGO FOR GB5 BRASS FINISH	LOGO LA MARZOCCO PER GB5 OTTONATA	
Item	Part number/Codice	Description		Descrizione

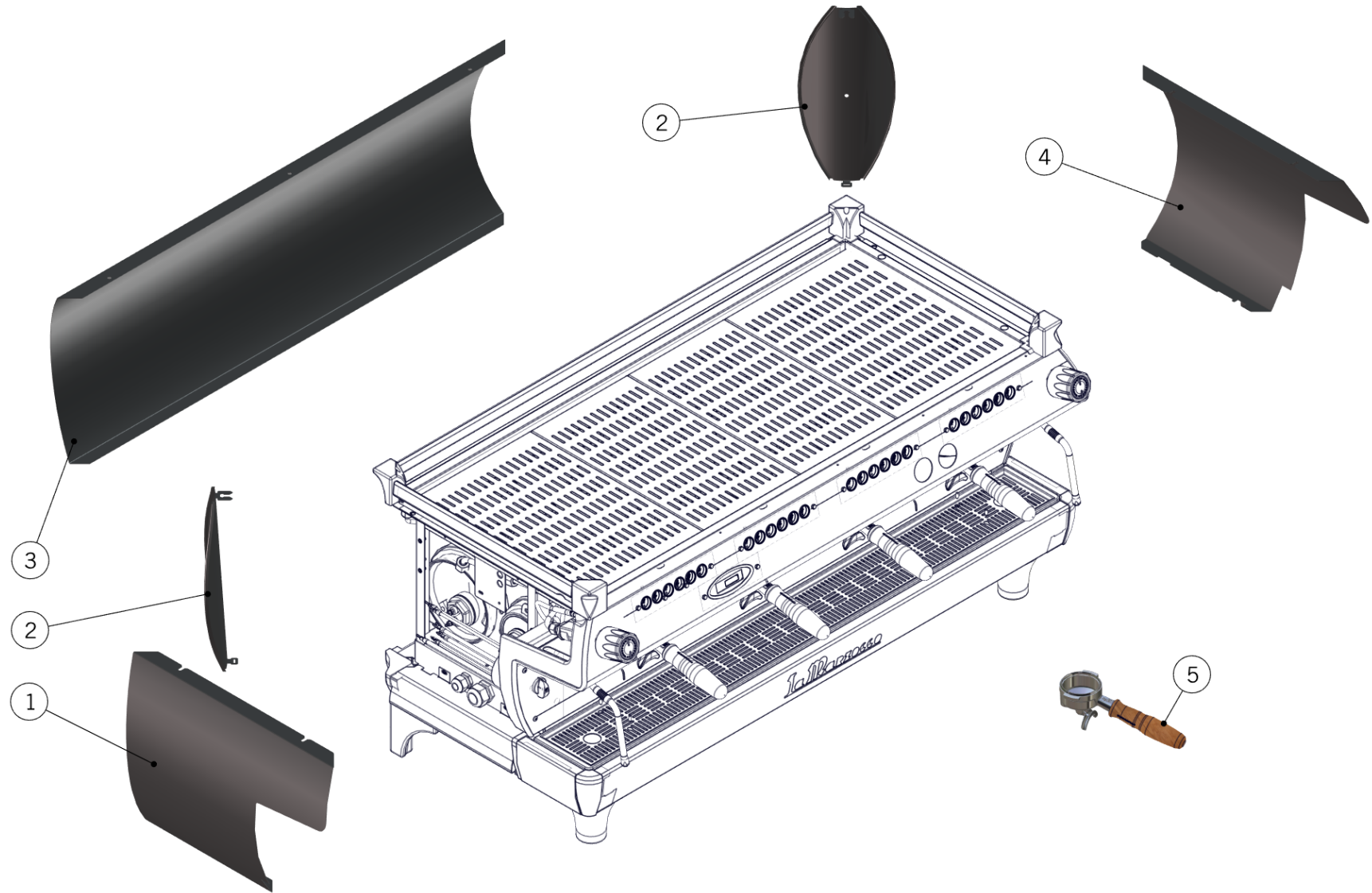




la marzocco

handmade in florence

# GB5 - CUSTOM COLOR POWDER COATING - MATTE





**la marzocco**

handmade in florence

## GB5 - CUSTOM COLOR POWDER COATING - MATTE

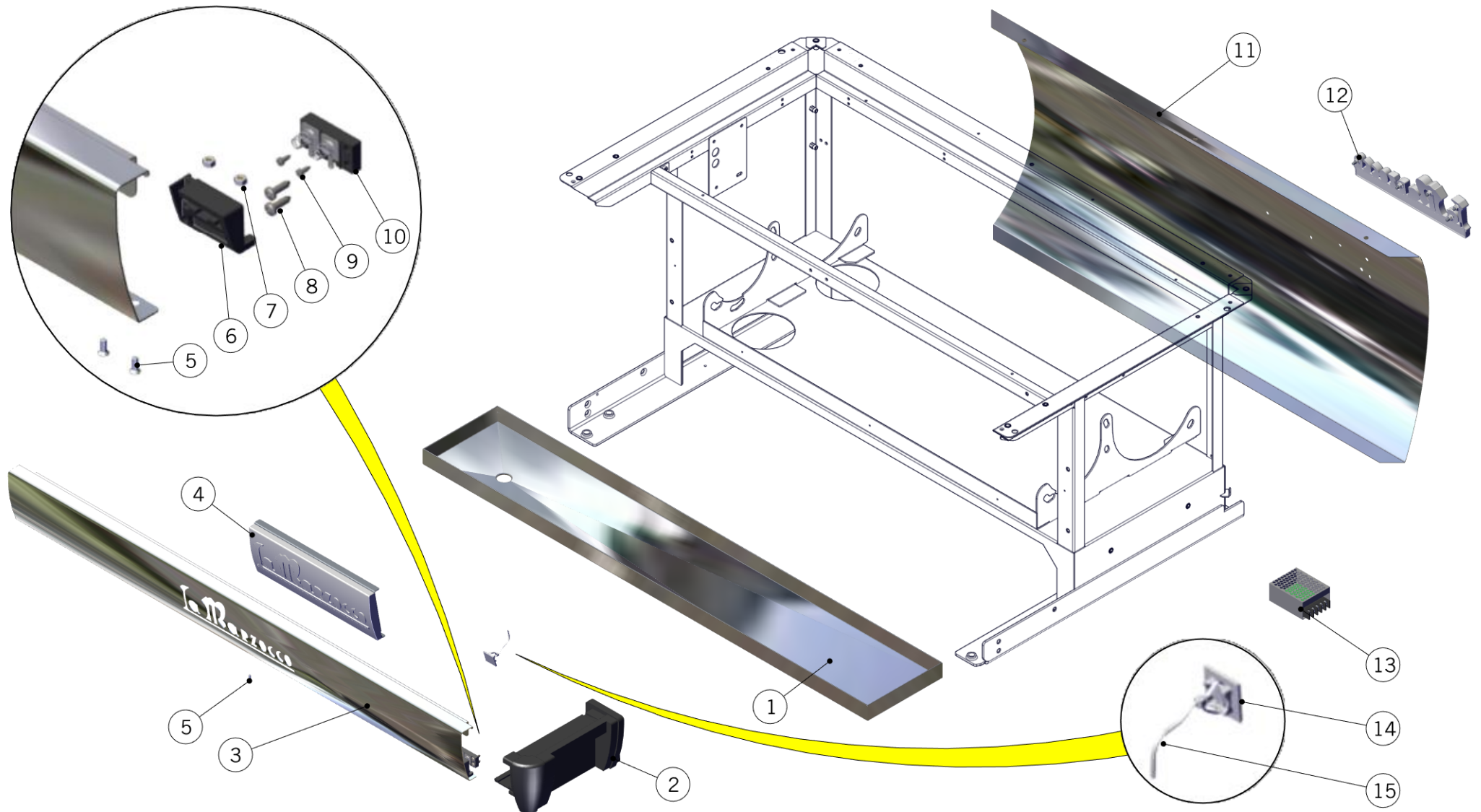
Custom Color	1	C.1.013.50	PANEL LEFT SIDE GB5 WHITE	FIANCATA SX GB5 BIANCO
		C.1.013.60	PANEL LEFT SIDE GB5 MATTE BLACK	FIANCATA SX GB5 NERO OPACO
		C.1.013.65	PANEL LEFT SIDE GB5 CUSTOM COLOR	FIANCATA SX GB5 COLORE SPECIALE
	2	C.1.016.50	GB5 WHITE SHIELD	SCUDO GB5 BIANCO
		C.1.016.60	GB5 SHIELD MATTE BLACK	SCUDO GB5 NERO OPACO
		C.1.016.65	GB5 SHIELD CUSTOM COLOR	SCUDO GB5 COLORE SPECIALE
	3	C.1.015.2.50	PANEL BACK GB5 2GR WHITE	PANNELLO POSTERIORE GB5 2GR BIANCO
		C.1.015.2.60	PANEL BACK GB5 2GR MATTE BLACK	PANNELLO POSTERIORE GB5 2GR NERO OPACO
		C.1.015.2.65	PANEL BACK GB5 2GR CUSTOM COLOR	PANNELLO POSTERIORE GB5 2GR COL SPECIALE
		C.1.015.3.50	PANEL BACK GB5 3GR WHITE	PANNELLO POSTERIORE GB5 3GR BIANCO
C.1.015.3.60		PANEL BACK GB5 3GR MATTE BLACK	PANNELLO POSTERIORE GB5 3GR NERO OPACO	
C.1.015.3.65		PANEL BACK GB5 3GR CUSTOM COLOR	PANNELLO POSTERIORE GB5 3GR COL SPECIALE	
C.1.015.4.50		PANEL BACK GB5 4GR WHITE	PANNELLO POSTERIORE GB5 4GR BIANCO	
C.1.015.4.60		PANEL BACK GB5 4GR MATTE BLACK	PANNELLO POSTERIORE GB5 4GR NERO OPACO	
C.1.015.4.65		PANEL BACK GB5 4GR CUSTOM COLOR	PANNELLO POSTERIORE GB5 4GR COL SPECIALE	
4	C.1.014.50	PANEL RIGHT SIDE WHITE GB5	FIANCATA DX GB5 BIANCO	
	C.1.014.60	PANEL RIGHT SIDE GB5 MATTE BLACK	FIANCATA DX GB5 NERO OPACO	
	C.1.014.65	PANEL RIGHT SIDE GB5 CUSTOM COLOR	FIANCATA DX GB5 COLORE SPECIALE	
Item	Part number/Codice	Description	Descrizione	



la marzocco

handmade in florence

# GB5 - ILLUMINATED LOGOS





**la marzocco**

handmade in florence

## GB5 - ILLUMINATED LOGOS

ILLUMINATED LOGOS

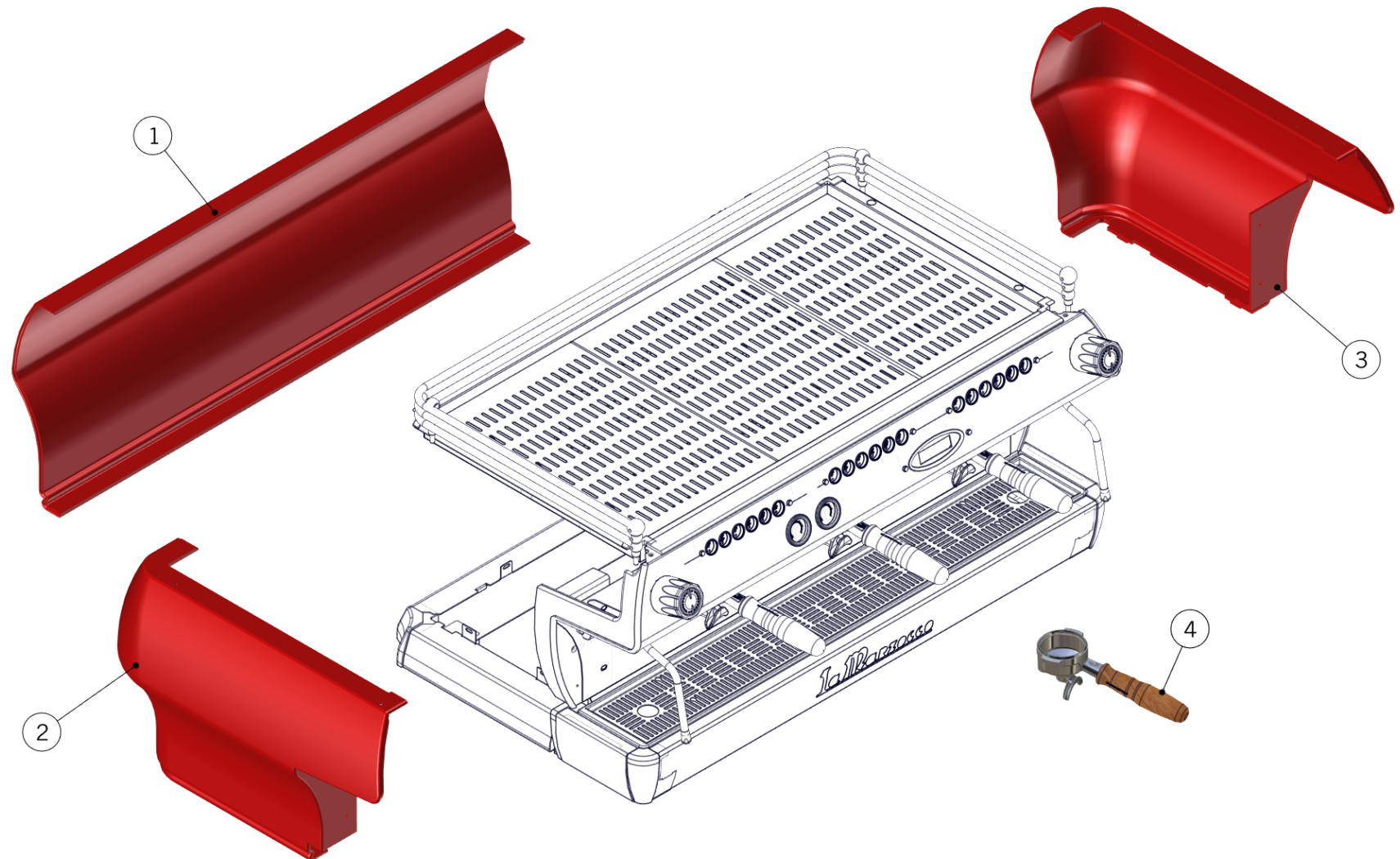
1	C.1.213.2	TRAY DRAIN GB5 2GR LIGHTED LOGO	BACINELLA GB5 2GR LOGO LUMINOSO
	C.1.213.3	TRAY DRAIN GB5 3GR LIGHTED LOGO	BACINELLA GB5 3GR LOGO LUMINOSO
	C.1.213.4	TRAY DRAIN GB5 4GR LIGHTED LOGO	BACINELLA GB5 4GR LOGO LUMINOSO
2	C.2.002.L	GB5 RIGHT DRAIN TRAY CORNER LIT LOGO	ANGOLO VASCA DX GB5 LOGO LUMINOSO
3	C.1.330.2	2GR DRAIN TRAY FRONT COVER W/CUT LOGO	FRONTALE BACINELLA 2GR C/LOGO TRAFORATO
	C.1.330.3	3GR DRAIN TRAY FRONT COVER W/CUT LOGO	FRONTALE BACINELLA 3GR C/LOGO TRAFORATO
	C.1.330.4	4GR DRAIN TRAY FRONT COVER W/CUT LOGO	FRONTALE BACINELLA 4GR C/LOGO TRAFORATO
4	D.6.002	LIT LOGO DRIP TRAY COVER GB5/FB80	LOGO LUMINOSO BACINELLA GB5/FB80
5	I.1.004	SCREW M3X8 SOCKET COUNTERSUNK S/S A2	VITE M3X8 TS A BRUGOLA INOX A2
6	F.1.073	SUPPORTO CONTATTI A BOTTONE	SUPPORTO CONTATTI A BOTTONE
7	DADOINOXM3	NUT M3 H2 WR5,5 S/S A2	DADO M3 H2 CH5,5 INOX A2
8	I.1.062	SELFTAP. SCREW 3,5X13 PHIL.ROUND-PAN S/S	VITEAUT. 3,5X13 TCB A CROCE INOX A2
9	I.1.086	SELFTAP.SCREW 2,2X6,5 PHIL.ROUND-PAN S/S	VITEAUT. 2,2X6,5 TCB A CROCE INOX A2
10	F.1.074	SUPPORTO CONTATTI CON MOLLA	SUPPORTO CONTATTI CON MOLLA
11	C.1.015.2.01	PANEL BACK GB5 2GR	PANNELLO POSTERIORE GB5 2GR
	C.1.015.3.01	PANEL BACK GB5 3GR	PANNELLO POSTERIORE GB5 3GR
	C.1.015.4.01	PANEL BACK GB5 4GR	PANNELLO POSTERIORE GB5 4GR
12	D.6.001	BACKLIT LA MARZOCCO LOGO GB5/FB80	LOGO LAMARZOCCO RETROILLUMINATO GB5/FB80
13	E.2.045	POWER SUPPLY 12VDC 1,3A LOGO LEDS	ALIMENTATORE 12VDC 1,3A LUCI LOGO
14	5.V010	FASTENER ADHESIVE SUPPORT	INCOLLINO
15	L338/L100.01	CABLE TIE 120x2,5MM HIGH TEMPERATURE	FASCETTA FERMAFILO 120x2,5MM ALTE TEMP.
<b>Item</b>	<b>Part number/Codice</b>	<b>Description</b>	<b>Descrizione</b>



la marzocco

handmade in florence

# FB80 - CUSTOM COLOR PAINTED BODY





**la marzocco**  
handmade in florence

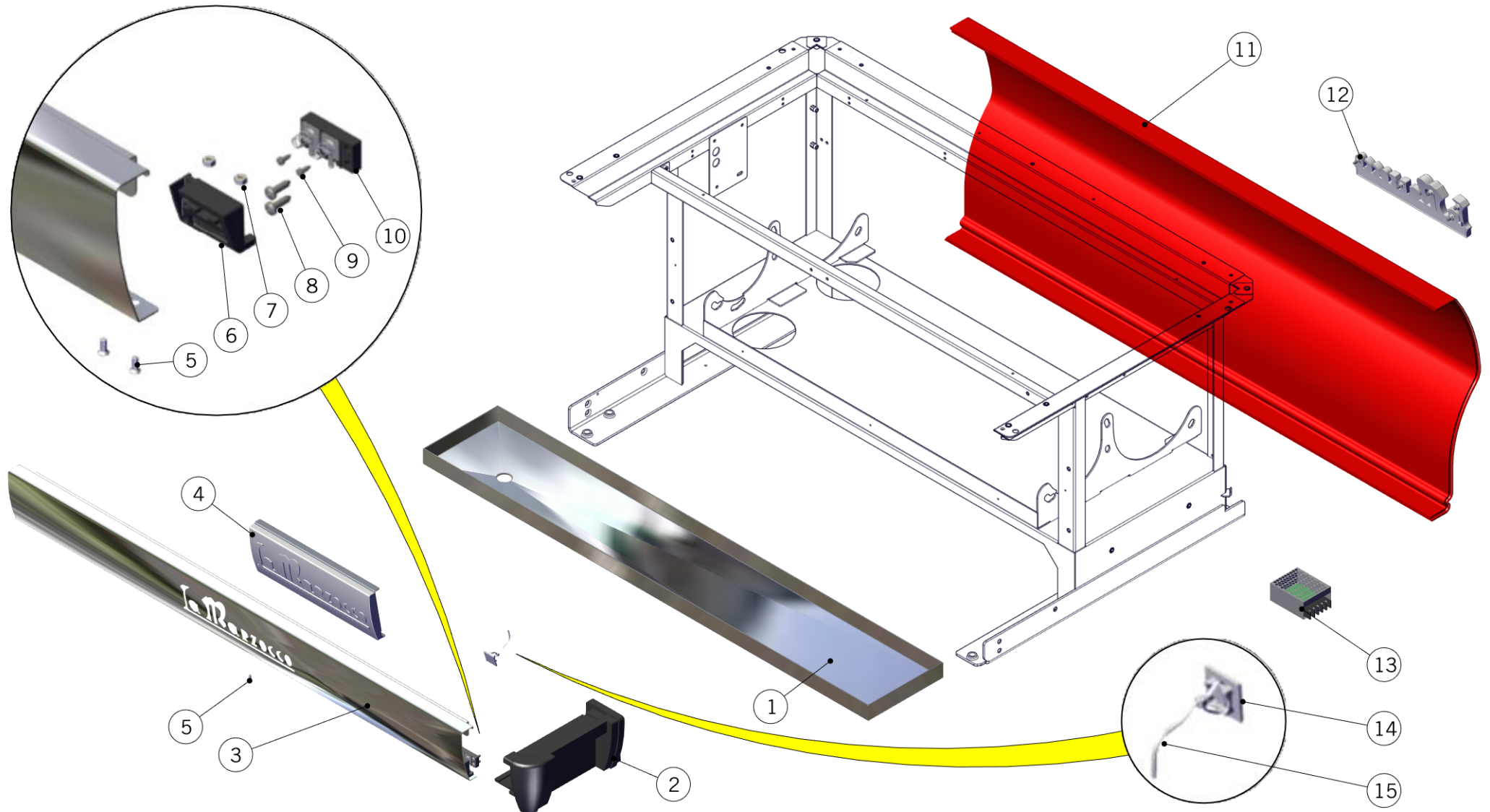
## FB80 - CUSTOM COLOR PAINTED BODY

Custom Color	Item	Part number/Codice	Description	Descrizione
	1	C.2.013.2.55	PANEL BACK FB80 2GR CUSTOM COLOR	PANN. POST. FB80 2GR COLORE SPECIALE
		C.2.013.3.55	PANEL BACK FB80 3GR CUSTOM COLOR	PANN. POST. FB80 3GR COLORE SPECIALE
		C.2.013.4.55	PANEL BACK FB80 4GR CUSTOM COLOR	PANN. POST. FB80 4GR COLORE SPECIALE
	2	C.2.011.55	FB80 LEFT SIDE PANEL CUSTOM COLOR	FIANCO SX FB80 COLORE SPECIALE
	3	C.2.012.55	PANEL RIGHT SIDE FB80 CUSTOM COLOR	FIANCATA DX FB80 COLORE SPECIALE
Item	Part number/Codice	Description	Descrizione	



**la marzocco**  
handmade in florence

# FB80 - ILLUMINATED LOGOS





**la marzocco**

handmade in florence

## FB80 - ILLUMINATED LOGOS

Illuminated Logos

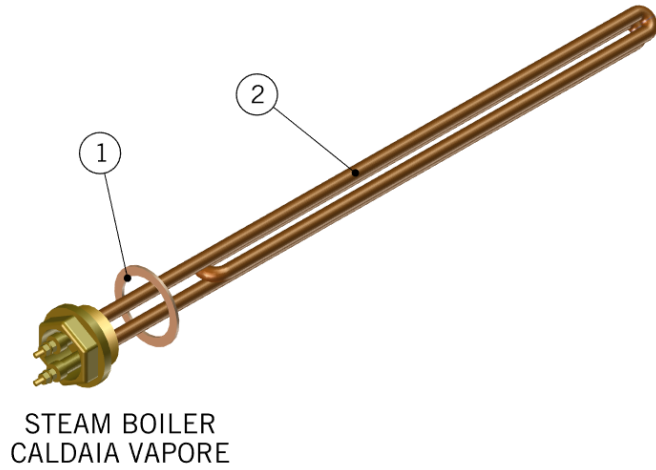
1	C.1.213.2	TRAY DRAIN GB5 2GR LIGHTED LOGO	BACINELLA GB5 2GR LOGO LUMINOSO
	C.1.213.3	TRAY DRAIN GB5 3GR LIGHTED LOGO	BACINELLA GB5 3GR LOGO LUMINOSO
	C.1.213.4	TRAY DRAIN GB5 4GR LIGHTED LOGO	BACINELLA GB5 4GR LOGO LUMINOSO
2	C.2.002.L	GB5 RIGHT DRAIN TRAY CORNER LIT LOGO	ANGOLO VASCA DX GB5 LOGO LUMINOSO
3	C.1.330.2	2GR DRAIN TRAY FRONT COVER W/CUT LOGO	FRONTALE BACINELLA 2GR C/LOGO TRAFORATO
	C.1.330.3	3GR DRAIN TRAY FRONT COVER W/CUT LOGO	FRONTALE BACINELLA 3GR C/LOGO TRAFORATO
	C.1.330.4	4GR DRAIN TRAY FRONT COVER W/CUT LOGO	FRONTALE BACINELLA 4GR C/LOGO TRAFORATO
4	D.6.002	LIT LOGO DRIP TRAY COVER GB5/FB80	LOGO LUMINOSO BACINELLA GB5/FB80
5	I.1.004	SCREW M3X8 SOCKET COUNTERSUNK S/S A2	VITE M3X8 TS A BRUGOLA INOX A2
6	F.1.073	SUPPORTO CONTATTI A BOTTONE	SUPPORTO CONTATTI A BOTTONE
7	DADOINOXM3	NUT M3 H2 WR5,5 S/S A2	DADO M3 H2 CH5,5 INOX A2
8	I.1.062	SELFTAP. SCREW 3,5X13 PHIL.ROUND-PAN S/S	VITEAUT. 3,5X13 TCB A CROCE INOX A2
9	I.1.086	SELFTAP.SCREW 2,2X6,5 PHIL.ROUND-PAN S/S	VITEAUT. 2,2X6,5 TCB A CROCE INOX A2
10	F.1.074	SUPPORTO CONTATTI CON MOLLA	SUPPORTO CONTATTI CON MOLLA
11	C.2.013.2	PANEL BACK FB80 2GR RED	PANN. POSTERIORE FB80 2GR ROSSO
	C.2.013.3	PANEL BACK FB80 3GR RED	PANN. POSTERIORE FB80 3GR ROSSO
	C.2.013.4	PANEL BACK FB80 4GR RED	PANN. POSTERIORE FB80 4GR ROSSO
12	D.6.001	BACKLIT LA MARZOCCO LOGO GB5/FB80	LOGO LAMARZOCCO RETROILLUMINATO GB5/FB80
13	E.2.045	POWER SUPPLY 12VDC 1,3A LOGO LEDS	ALIMENTATORE 12VDC 1,3A LUCI LOGO
14	5.V010	FASTENER ADHESIVE SUPPORT	INCOLLINO
15	L338/L100.01	CABLE TIE 120x2,5MM HIGH TEMPERATURE	FASCETTA FERMAFILO 120x2,5MM ALTE TEMP.
<b>Item</b>	<b>Part number/Codice</b>	<b>Description</b>	<b>Descrizione</b>



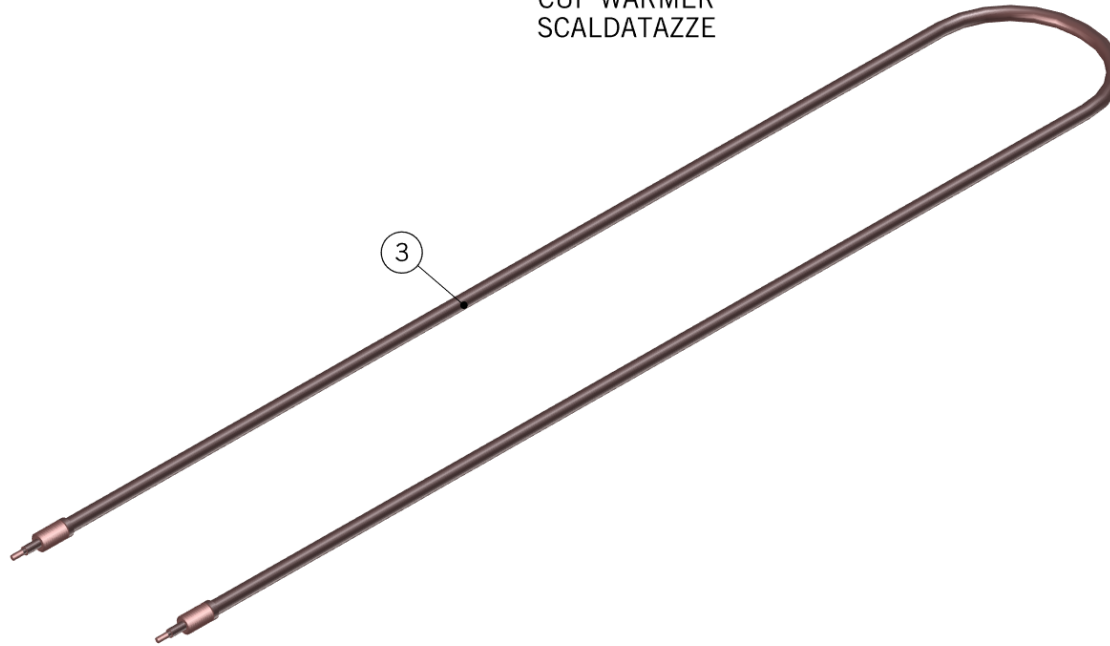


**la marzocco**  
handmade in florence

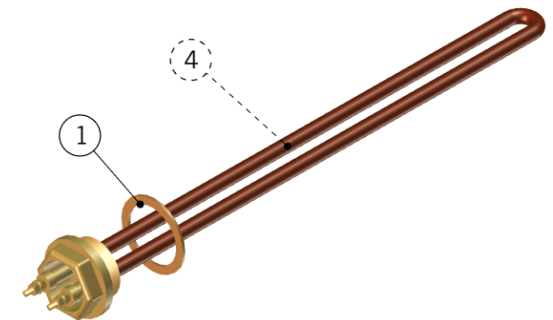
# HEATING ELEMENTS



CUP WARMER  
SCALDATAZZE



COFFEE BOILER  
CALDAIA CAFFE'





**la marzocco**

handmade in florence

# HEATING ELEMENTS

Resistenze Elettriche	2 GROUPS / 2 GRUPPI		Item	Part number/Codice	Description	Descrizione						
	STEAM BOILER	STANDARD					1	LR360	1-1/4 HEATER ELEMENT GASKET	GUARNIZIONE PIANA DM.55X42X2		
							<b>STEAM BOILER HEATING ELEMENTS</b>			<b>RESISTENZE PER CALDAIA VAPORE</b>		
							2	HIGH	LR342/220B.03	HEATING ELEMENT W2000 V220 CM29 1-1/4 RP	RES. EL. W2000 V220 CM29 1-1/4 RP	
	LR350/380B.03	HEATING ELEMENT W2000 V380 CM29 1-1/4 RP							RES. EL. W2000 V380 CM29 1-1/4 RP			
	LR357/200B.03	HEATING ELEMENT W3000 V200 CM39 1-1/4 RP							RES. EL. W3000 V200 CM39 1-1/4 RP			
	LR357/220B.03	HEATING ELEMENT W3000 V220 CM39 1-1/4 RP							RES. EL. W3000 V220 CM39 1-1/4 RP			
	LR357/380B.03	HEATING ELEMENT W3000 V380 CM39 1-1/4 RP							RES. EL. W3000 V380 CM39 1-1/4 RP			
	COFFEE BOILER	STANDARD					4	E.6.017	HEATING ELEMENT W3000 V240 CM39 1-1/4 RP	RES. EL. W3000 V240 CM39 1-1/4 RP		
							<b>COFFEE BOILER HEATING ELEMENTS</b>			<b>RESISTENZE PER CALDAIA CAFFE'</b>		
4	STANDARD	LR365/200.03	HEATING ELEMENT W1400 V200 CM43 1-1/4 RP	RES. EL. W1400 V200 CM43 1-1/4 RP								
		LR365/220.03	HEATING ELEMENT W1400 V220 CM43 1-1/4 RP	RES. EL. W1400 V220 CM43 1-1/4 RP								
		LR365/380.03	HEATING ELEMENT W1400 V380 CM43 1-1/4 RP	RES. EL. W1400 V380 CM43 1-1/4 RP								
CUPWARMER	AU	3	<b>CUPWARMER HEATING ELEMENTS</b>			<b>RESISTENZA SCALDATAZZE</b>						
		LR370	CUPWARMER HEATING ELEMENT 280W 220V	RES. SCALDATAZZE 280W 220V								



**la marzocco**

handmade in florence

# HEATING ELEMENTS

Resistenze Elettriche	3 GROUPS / 3 GRUPPI			1	LR360	1-1/4 HEATER ELEMENT GASKET	GUARNIZIONE PIANA DM.55X42X2
	STEAM BOILER	STANDARD	2			<b>STEAM BOILER HEATING ELEMENTS</b>	<b>RESISTENZE PER CALDAIA VAPORE</b>
				E.6.019	HEAT.ELEM W3000 V220 CM50 1-1/4 4POLE TR	RES. EL. W3000 V220 CM50 1-1/4 4 POLI TR	
				E.6.021	HEAT.ELEM W3000 V380 CM50 1-1/4 4POLE TR	RES. EL. W3000 V380 CM50 1-1/4 4 POLI TR	
		HIGH		E.6.023	HEAT.ELEM W4000 V200 CM50 1-1/4 4POLE TR	RES. EL. W4000 V200 CM50 1-1/4 4 POLI TR	
				E.6.008.02	HEAT.ELEM W4000 V380 CM50 1-1/4 4POLE TR	RES. EL. W4000 V380 CM50 1-1/4 4 POLI TR	
				E.6.009.02	HEAT.ELEM W4000 V220 CM50 1-1/4 4POLE TR	RES. EL. W4000 V220 CM50 1-1/4 4 POLI TR	
	COFFEE BOILER	STANDARD	4			<b>COFFEE BOILER HEATING ELEMENTS</b>	<b>RESISTENZE PER CALDAIA CAFFE'</b>
				LR362/220.03	HEATING ELEMENT W1600 V220 CM66 1-1/4 RP	RES. EL. W1600 V220 CM66 1-1/4 RP	
		LR364/380.03		HEATING ELEMENT W1600 V380 CM65 1-1/4 RP	RES. EL. W1600 V380 CM65 1-1/4 RP		
HIGH		LR366/200.03		HEATING ELEMENT W1900 V200 CM66 1-1/4 RP	RES. EL. W1900 V200 CM66 1-1/4 RP		
		LR366/220.03		HEATING ELEMENT W1900 V220 CM66 1-1/4 RP	RES. EL. W1900 V220 CM66 1-1/4 RP		
	LR366/380.03	HEATING ELEMENT W1900 V380 CM66 1-1/4 RP	RES. EL. W1900 V380 CM66 1-1/4 RP				
CUPWARMER		3			<b>CUPWARMER HEATING ELEMENTS</b>	<b>RESISTENZA SCALDATAZZE</b>	
			LR371	CUPWARMER HEATING ELEMENT 400W 220V	RES. SCALDATAZZE 400W 220V		
	<b>Item</b>	<b>Part number/Codice</b>		<b>Description</b>	<b>Descrizione</b>		

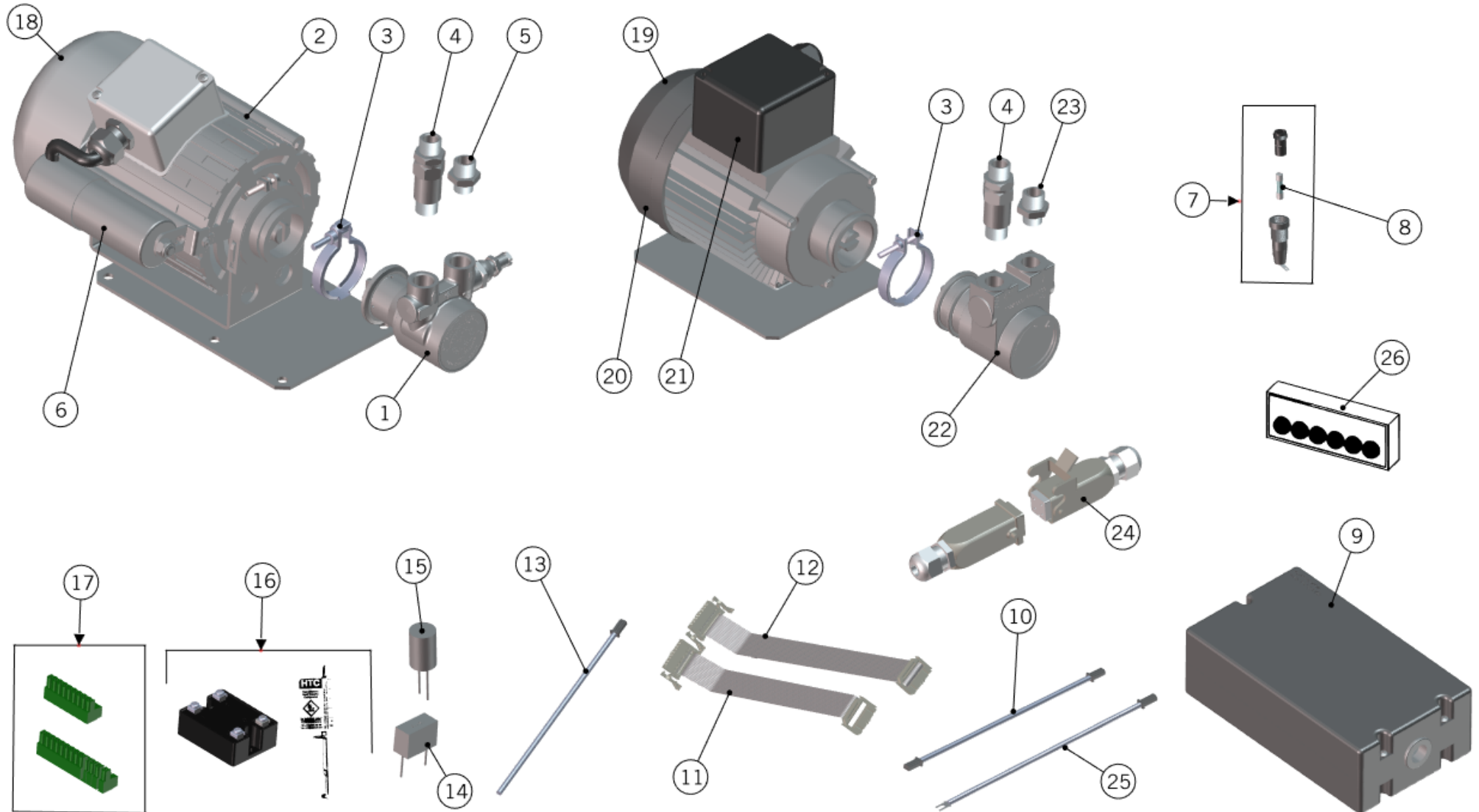




la marzocco

handmade in florence

# ELECTRICAL SYSTEM AND PUMP





la marzocco

handmade in florence

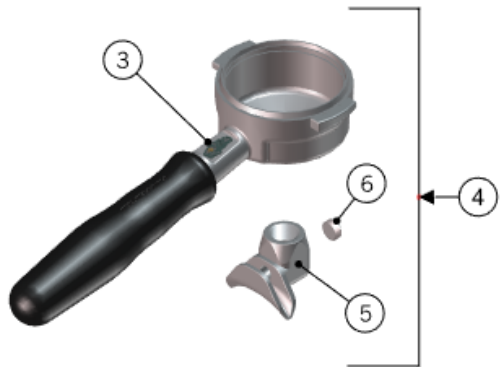
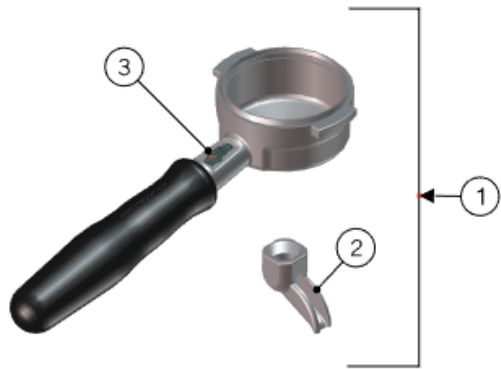
# ELECTRICAL SYSTEM AND PUMP

Impianto Elettrico e Pompa

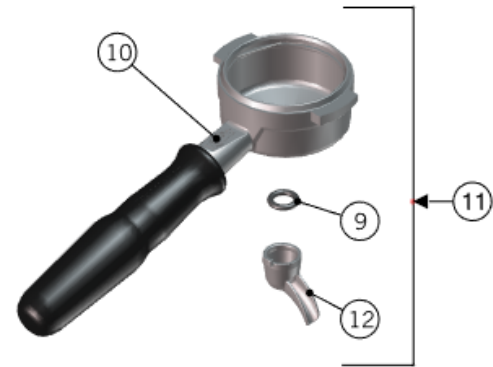
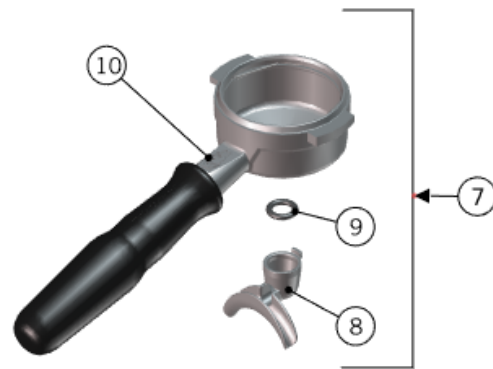
1	L290/1.01	PUMP 150 LT/H	CORPO POMPANTE 150 L/H
	L290/2.01	PUMP 200 LT/H	CORPO POMPANTE 200 L/H
2	L290/8UL	UL MOTOR V.220-240 50/60 HZ	MOTORE CARENATO CHIUSO
3	L290/C	PUMP CLAMP	FASCETTA PER POMPA
4	L032/P.01	CHECK VALVE G3/8M TREATED	VALVOLA DI RITEGNO G3/8M TRATTATA
5	L305/N.01	NIPPLE G3/8M-G3/8M WR20 H31 BRASS TR.	NIPPLLO G3/8M-G3/8M CH20 H31 OTTONE TR.
	L306/G.01	NIPPLE G3/8-3/8 COMPRESSION BRASS TR.	NIPPLLO G3/8-3/8 COMPRESSION OTTONE TR.
6	L290/CUL	10microF CAPACITOR (L290/8UL MOTOR)	CONDENSATORE 10MF X MOTORE
7	E.2.004	UL FUSE HOLDER	PORTAFUSIBILE UL
8	E.2.073	FUSE 3,15 A TIME-DELAY	FUSIBILE 3,15 A RITARDATO
9	E.1.001	ELECTRONIC BOARD LILY	SCHEDA ELETTRONICA LILY
	E.1.001.GB5MP	GB5 MP BRAIN	DOSATURA PER GB5 MP
	E.1.010.01	BRAIN LILY EE VERSION	CENTRALINA LILY EE
10	E.4.004	TRIAC - BRAIN CABLE	CAVETTO TRIAC - CENTRALINA
11	LAD3D5/C05	3D5 BUTTON BOX CABLE CM110	CAVO PULSANTIERA 3D5 CM.110 CON ALETTA
12	LAD3D5/C06	3D5 BUTTON BOX CABLE CM140	CAVO PULSANTIERA 3D5 CM.140 CON ALETTA
13	E.4.011	TEA CABLE GB5 EE	CAVO TE' GB5 EE
14	L206	FILTER EMC	FILTRO EMC
15	E.2.030	2x22nF+0,1microF FILTER	FILTRO 2x22nF+0.1microF
16	E.4.010.01.R	SSR 25A 240V W/THERMAL COMPOUND	RELE' 25A 240V C/PASTA TERMICA
	E.4.029.R	SSR 50A 240V W/THERMAL COMPOUND	RELE' 50A 240V C/PASTA TERMICA
	E.4.035.R	SSR 25A 480V W/THERMAL COMPOUND	RELE' 25A 480V C/PASTA TERMICA
17	E.1.001.9/13	LILY BOARD CONNECTORS	CONNETTORI LILY
18	F.6.004	FAN COVER - PUMP MOTOR UL	COPRIVENTOLA ZINCATO X MOTORE L290/8UL
19	L290/6	PLASTIC FAN COVER - PUMP MOTOR	COPRIVENTOLA PER MOTORE CE
20	L290/5	CE MOTOR V.220-230 Hz.50	MOTORE CARENATO CE V.220-230 Hz.50
	L290/7	MOTOR PUMP 200V 50/60HZ	MOTORE CARENATO V.200 Hz.50/60
21	L290/5C	6,3microF CAPACITOR (L290/5 MOTOR)	CONDENSATORE 6.3MF X MOTORE
	L290/7C	8microF CAPACITOR (L290/7 MOTOR)	CONDENSATORE 8MF
22	L290/1.01	PUMP 150 LT/H	CORPO POMPANTE 150 L/H
23	L305/N.01	NIPPLE G3/8M-G3/8M WR20 H31 BRASS TR.	NIPPLLO G3/8M-G3/8M CH20 H31 OTTONE TR.
24	E.4.044	PUMP CABLE W/RAPID WATERPROOF CONNECTOR	CAVO POMPA C/CONNETTORE RAPIDO IP67
25	E.4.004.01	SSR - BRAIN CABLE	CAVETTO RELE' - CENTRALINA
26	E.1.009	KEYPAD WITH ALUMINIUM SWITCH	PULSANTIERA 6T IN ALLUMINIO
<b>Item</b>	<b>Part number/Codice</b>		<b>Description</b>
			<b>Descrizione</b>

# PORTAFILTER ASSEMBLY

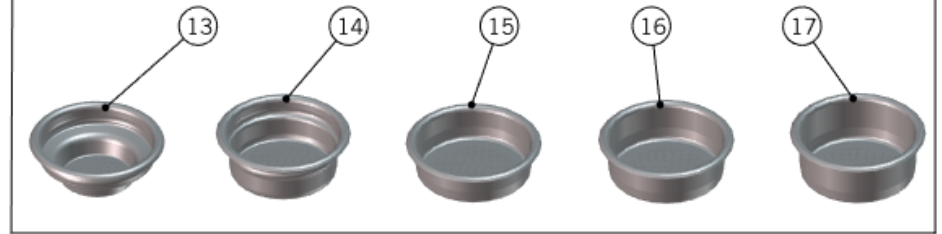
## BRASS PORTAFILTERS



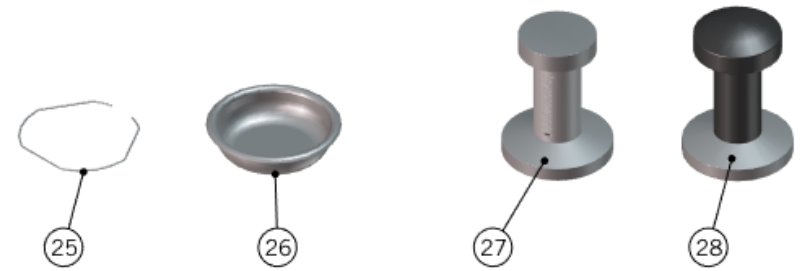
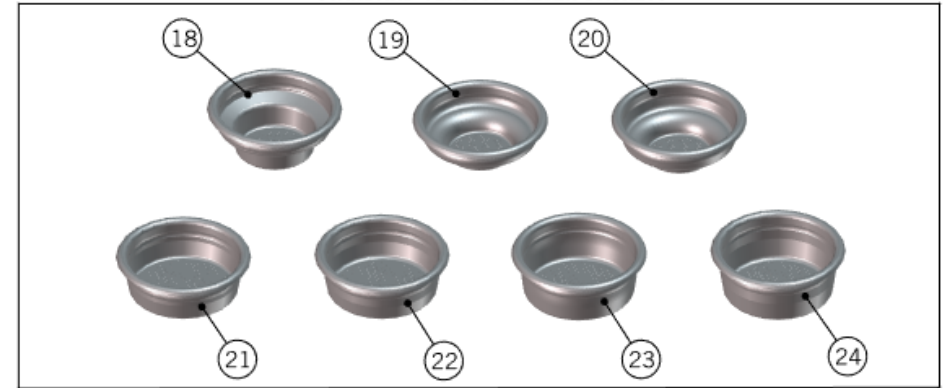
## STAINLESS STEEL PORTAFILTERS



FILTER BASKETS SPECIFICALLY DESIGNED FOR FOR LA MARZOCCO SWIFT GRINDER



STANDARD VERSION FILTER BASKETS





la marzocco

handmade in florence

# PORTAFILTER ASSEMBLY

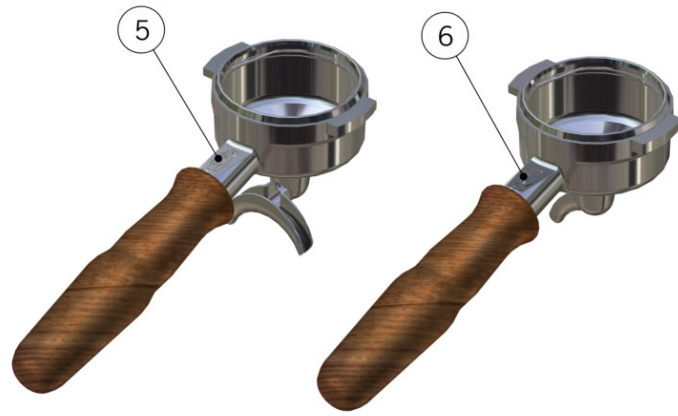
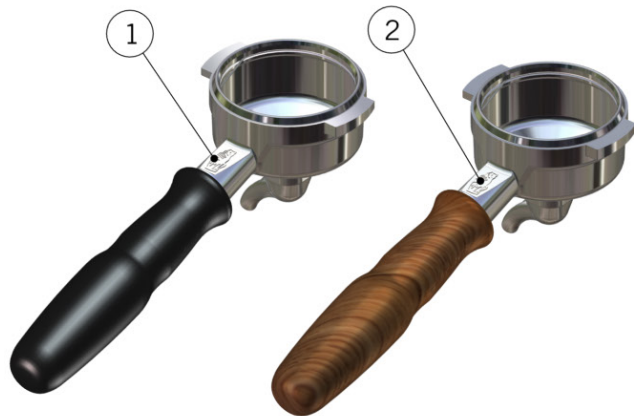
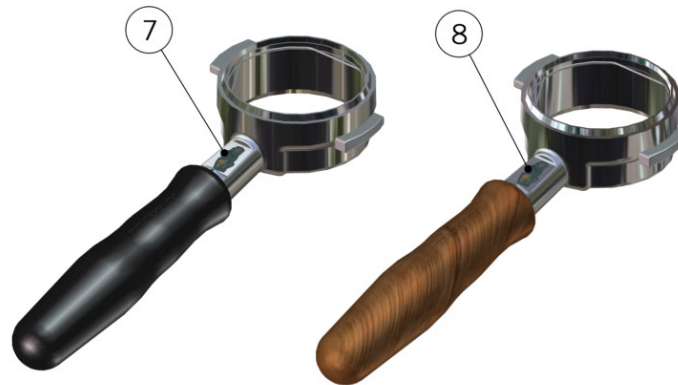
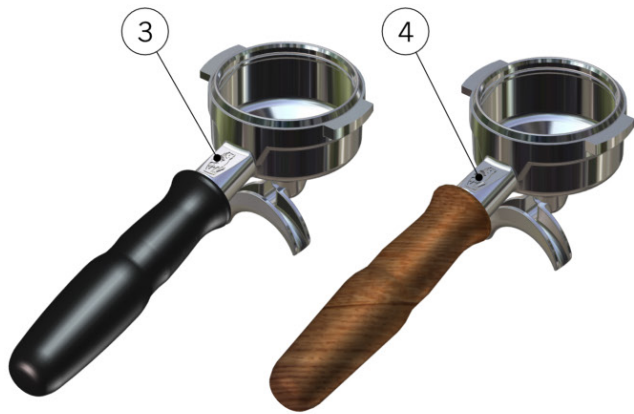
Portafiltri

1	L111/1	PORTAFILTER SINGLE SPOUT BRASS	PORTAFILTRO BECCUCCIO SINGOLO OTTONE
2	L115.01	SPOUT 1 CUP W/TREATMENT FOR SANITATION	BECCUCCIO SINGOLO C/TRATTAMENTO ALIM.
3	L111/LM12.01	CUP PORTAFILTER BRASS WITH HANDLE	COPPA PORTAFILTRO OTTONE CON MANICO
4	L111/2N	PORTAFILTER DOUBLE SPOUT BRASS	PORTAFILTRO BECCUCCIO DOPPIO OTTONE
5	L119.01	SPOUT 2 CUPS W/TREATMENT FOR SANITATION	BECCUCCIO DOPPIO C/TRATTAMENTO ALIM.
6	L119/V	SCREW FOR DOUBLE SPOUT	VITE PER BECCUCCIO A 2 TAZZE
7	L111/2NAC	PORTAFILTER DOUBLE SPOUT	PORTAFILTRO BECCUCCIO DOPPIO
8	A.5.014.01	DOUBLE SPOUT S/S	BECCUCCIO DOPPIO INOX
9	H.1.017	O-RING 3,53X9,12 EPDM 70 SH	O-RING 3,53X9,12 EPDM 70 SH
	H.1.017.02	O-RING 3,37X9,12 EPDM	O-RING 3,37X9,21 EPDM
10	L111/SS.R	CUP PORTAFILTER S/S WITH HANDLE	COPPA PORTAFILTRO INOX CON MANICO
11	L111/1AC	PORTAFILTER SINGLE SPOUT	PORTAFILTRO BECCUCCIO SINGOLO
12	A.5.013.01	SINGLE SPOUT S/S	BECCUCCIO SINGOLO INOX
13	L115/A	FILTER 1 CUP	FILTRO A 1 TAZZA
14	L115/A/S	SINGLE FILTER	FILTRO A 1 TAZZA SINGOLO\DOPPIO
15	5.128	19mm SWIFT FILTER BASKET	FILTRO SWIFT 19mm
16	5.127	22mm SWIFT FILTER BASKET	FILTRO SWIFT 22mm
17	5.133	TRIPLE SWIFT FILTER BASKET	FILTRO SWIFT TRIPLO
18	F.3.029.GR	FILTER 7 GR STANDARD	FILTRO 7 GR STANDARD
19	F.3.053	FILTER 7 GR STANDARD ITALY	FILTRO 7 GR STANDARD ITALIA
20	F.3.134	FILTER 9 GR STANDARD	FILTRO 9 GR STANDARD
21	F.3.028.01	FILTER 14 GR STANDARD	FILTRO 14 GR STANDARD
22	F.3.027.01	FILTER 17 GR STANDARD	FILTRO 17 GR STANDARD
23	F.3.135	FILTER 19 GR STANDARD	FILTRO 19 GR STANDARD
24	F.3.026.01	FILTER 21 GR STANDARD	FILTRO 21 GR STANDARD
25	L113	SPRING D WIRE1,1 S/S FILTER LOCK	MOLLA DFIL01,1 INOX FERMAFILTRO
26	L115/C	BLIND FILTER	FILTRO CIECO X LAVAGGIO
27	F.3.045	S/S-ALUMINUM SINGLE-DOUBLE TAMPER	PRESSINO INOX-ALLUMINIO SINGOLO-DOPPIO
28	F.3.031.01	ANODIZED DOUBLE TAMPER S/S US VERSION	PRESSINO DOPPIO VERSIONE US ANODIZZATO
<b>Item</b>	<b>Part number/Codice</b>	<b>Description</b>	<b>Descrizione</b>

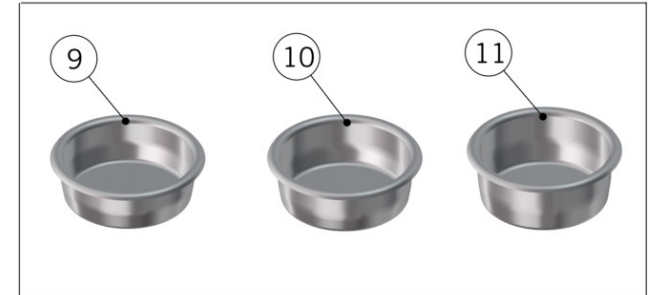


# PORTAFILTER ASSEMBLY

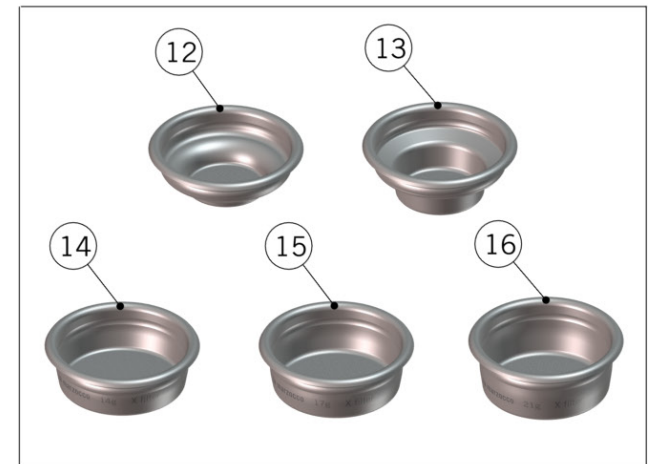
## FIXED SPOUT PORTAFILTERS



## RIDGELESS FILTER BASKETS



## X FILTER BASKETS - TESTED & CERTIFIED





**la marzocco**

handmade in florence

# PORTAFILTER ASSEMBLY

**Portafiltri**

1	A.5.078	PORTAFILTER FIXED SINGLE SPOUT	PORTAFILTRO BECCUCCIO SINGOLO FISSO
2	A.5.126	PORTAFILTER FIXED SINGLE SPOUT MAPLE	PORTAFILTRO BECC.SINGOLO FISSO ACERO
	A.5.128	PORTAFILTER FIXED SINGLE SPOUT WALNUT	PORTAFILTRO BECC.SINGOLO FISSO NOCE
3	A.5.079	PORTAFILTER FIXED DOUBLE SPOUT	PORTAFILTRO BECCUCCIO DOPPIO FISSO
4	A.5.127	PORTAFILTER FIXED DOUBLE SPOUT MAPLE	PORTAFILTRO BECC.DOPPIO FISSO ACERO
	A.5.129	PORTAFILTER FIXED DOUBLE SPOUT WALNUT	PORTAFILTRO BECC.DOPPIO FISSO NOCE
5	L111/2MW.R	PORTAFILTER DOUBLE SPOUT MAPLE	PORTAFILTRO BECCUCCIO DOPPIO ACERO
	L111/2WW.R	PORTAFILTER DOUBLE SPOUT WALNUT	PORTAFILTRO BECCUCCIO DOPPIO NOCE
6	L111/1MW.R	PORTAFILTER SINGLE SPOUT MAPLE	PORTAFILTRO BECCUCCIO SINGOLO ACERO
	L111/1WW.R	PORTAFILTER SINGLE SPOUT WALNUT	PORTAFILTRO BECCUCCIO SINGOLO NOCE
7	L111/X.01	PORTAFILTER NAKED	PORTAFILTRO NUDO
8	A.5.060	PORTAFILTER NAKED WALNUT	PORTAFILTRO NUDO NOCE
	A.5.061	PORTAFILTER NAKED MAPLE	PORTAFILTRO NUDO ACERO
9	F.3.080	FILTER 14 GR RIDGELESS	FILTRO 14 GR SENZA BORDATURA
10	F.3.079	FILTER 17 GR RIDGELESS	FILTRO 17 GR SENZA BORDATURA
11	F.3.081	FILTER 21 GR RIDGELESS	FILTRO 21 GR SENZA BORDATURA
12	F.3.054.X	FILTER 7 GR X ITALIA	FILTRO 7 GR X ITALIA
13	F.3.029.X	FILTER 7 GR X	FILTRO 7 GR X
14	F.3.028.X	FILTER 14 GR X	FILTRO 14 GR X
15	F.3.027.X	FILTER 17 GR X	FILTRO 17 GR X
16	F.3.026.X	FILTER 21 GR X	FILTRO 21 GR X
<b>Item</b>	<b>Part number/Codice</b>	<b>Description</b>	<b>Descrizione</b>



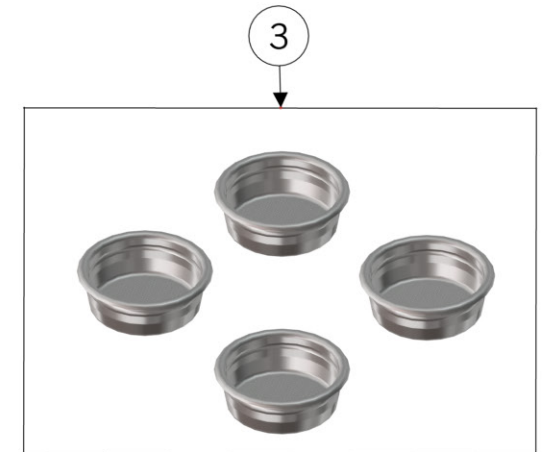
la marzocco

handmade in florence

## PORTAFILTER ASSEMBLY



Precision portafilters are compatible with any La Marzocco machine. Each kit has a specific code, which identifies its weight and guarantees that every portafilter differs from each other by only 0,05g (0,18oz)





**la marzocco**  
handmade in florence

# PORTAFILTER ASSEMBLY

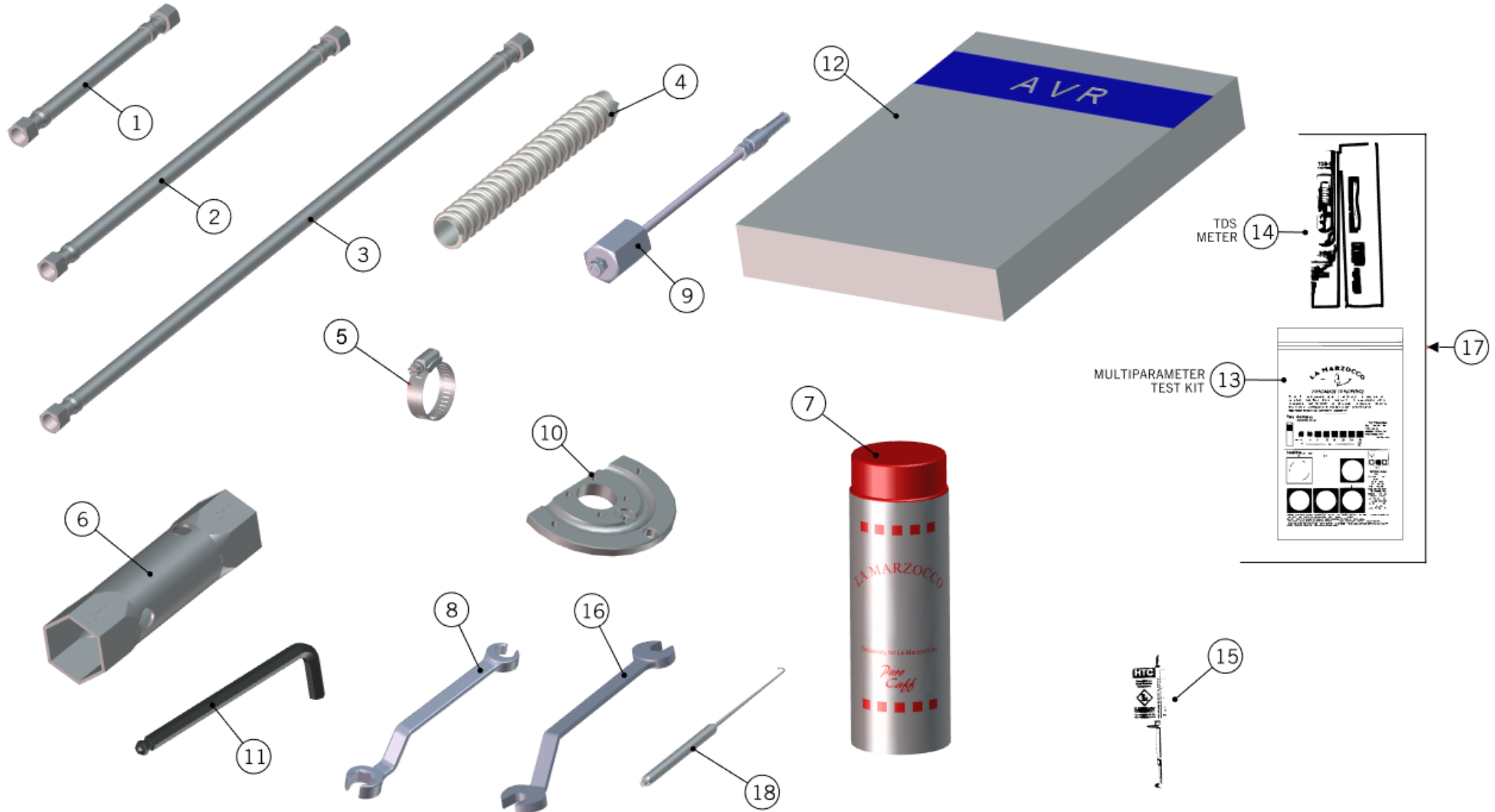
## Portafiltri

1	931-2	2 PRECISION PORTAFILTER KIT	KIT 2 PORTAFILTRI DI PRECISIONE
2	931-3	3 PRECISION PORTAFILTER KIT	KIT 3 PORTAFILTRI DI PRECISIONE
3	932	4x 17g S/S PRECISION FILTER BASKET KIT	KIT 4 FILTRI 17G PESATI
	947	4x 14g S/S PRECISION FILTER BASKET KIT	KIT 4 FILTRI 14G PESATI
	948	4x 21g S/S PRECISION FILTER BASKET KIT	KIT 4 FILTRI 21G PESATI
<b>Item</b>	<b>Part number/Codice</b>	<b>Description</b>	<b>Descrizione</b>



la marzocco  
handmade in florence

# HOSE AND ACCESSORIES





la marzocco

handmade in florence

# HOSE AND ACCESSORIES

Tubi e Accessori

1	L305/050.01	BRAIDED HOSE CM.50 3/8 F	TUBO FLESSIBIL INOX 3/8F CM.50
	L306/050	BRAIDED HOSE 3/8 COMPR. WR17 50CM NSF	TUBO FLEX 3/8 COMPR. CH17 50CM NSF
2	L305/120.01	BRAIDED HOSE CM.120 3/8 F	TUBO FLESSIB INOX 3/8F CM.120
	L306/120	BRAIDED HOSE 3/8 COMPR. WR17 120CM NSF	TUBO FLEX 3/8 COMPR. CH17 120CM NSF
3	L305/210.01	BRAIDED HOSE CM.210 3/8F	TUBO FLESSIB INOX 3/8F CM.210
	L306/210	BRAIDED HOSE G3/8F WR20 210CM NSF	TUBO FLEX G3/8F CH20 210CM NSF
	L306/210/C	BRAIDED HOSE G3/8F WR20 210CM NSF CURVED	TUBO FLEX G3/8F CH20 210CM NSF C/CURV.
	T.5.003	BRAIDED HOSE 3/8 COMPR. WR17 210CM NSF	TUBO FLEX 3/8 COMPR. CH17 210CM NSF
4	L308	CLEAR ARMOURED DRAIN HOSE	TUBO PU AIR SCARICO ACQUA DIA 20
5	L312	HOSE CLAMP	FASCETTA SERRATUBO 16/25 H.8
6	UT360/42	HEATING ELEMENT TOOL 40/42	CHIAVE RESISTENZA 40/42
7	V067	LA MARZOCCO PURO CAFF POWDER	POLVERE LA MARZOCCO PURO CAFF
8	UT107	BENT WRENCH WR14 FOR GROUP TUBE	CHIAVE PIEGATA CH14 PER TUBO GRUPPO
9	UT004	MP O-RING EXTRACTOR	ESTRATTORE O-RING MP
10	UT103	PADDLE CAP SECTION	COPERCHIO PADDLE SEZIONATO
11	UT005	ALLEN KEY 5 WITH BALL END	CHIAVE BRUGOLA 5 CON ESTREMITA' A SFERA
12	E.4.025.02	KIT AVR PROGRAMMER - USB COMPLETE	KIT PROGRAMMAZIONE AVR - USB COMPLETO
13	F.9.000.01	MULTIPLE PARAMETER TEST KIT	KIT PER ANALISI DELL'ACQUA
14	F.9.003	DIGITAL TDS METER	TDS METER DIGITALE
15	F.1.065	HTC THERMAL COMPOUND SYRINGE 2ML	SIRINGA GRASSO TERMICO HTC 2ML
16	UT108	BENT WRENCH WR13 FOR GROUP TUBE	CHIAVE PIEGATA CH13 PER TUBO GRUPPO
17	941	WATER TEST KIT	KIT MISURAZIONE ACQUA
18	UT008	GASKET PICK	ESTRATTORE PER GUARNIZIONI
<b>Item</b>	<b>Part number/Codice</b>	<b>Description</b>	<b>Descrizione</b>

LA MARZOCCO SRL  
Via La Torre, 14/H  
Localita' La Torre  
50038 Scarperia e San Piero  
(Florence) - ITALY  
T. +39 055 849 191  
F. +39 055 849 1990  
info@lamarzocco.com  
www.lamarzocco.com