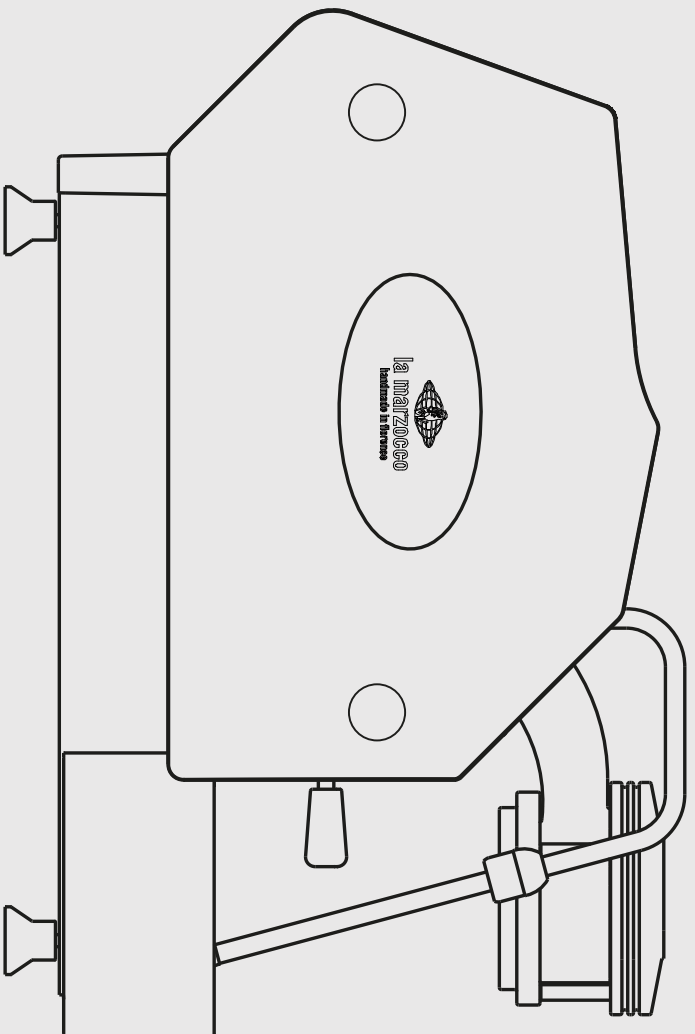


parts catalog

gs3







la marzocco
handmade in florence

INDEX

		Pag.	Vers.
Specifications	Caratteristiche Tecniche	4	3.4
Body Panel Assembly	Carrozzeria	6	3.4
Electrical System Assembly	Impianto Elettrico	10	3.4
Drain Box and Water Reservoir Assembly	Contentitori	14	3.4
Steam and Hot Water Assembly	Lancia Vapore e Acqua Calda	16	3.4
Water Motor Pump Assembly	Pompa	20	3.4
Hydraulic Assembly	Impianto Idraulico	22	3.4
Fittings and Valves	Raccordi e Valvole	34	3.4
Steam Valve Assembly	Rubinetto Vapore	38	3.4
Coffee Boiler Assembly	Caldaia Caffè	40	3.4
Mechanical Paddle Assembly	Paddle Meccanico	48	3.4
Steam Boiler Assembly	Caldaia Vapore	56	3.4
Custom Color	Colori Personalizzati	58	3.4
Water Supply Connection	Kit Rete Idrica	68	3.4
Portafilter Assembly	Portafiltri	70	3.4
Hose and Accessories	Tubi e Accessori	74	3.4

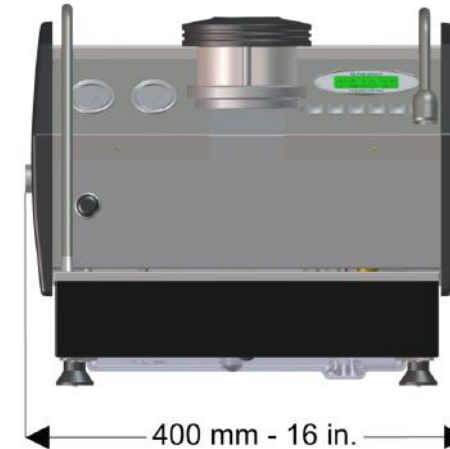


la marzocco
handmade in florence

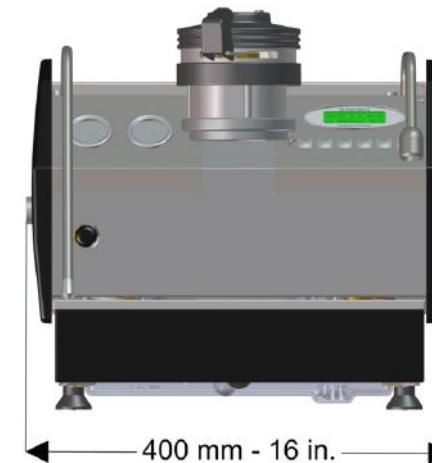
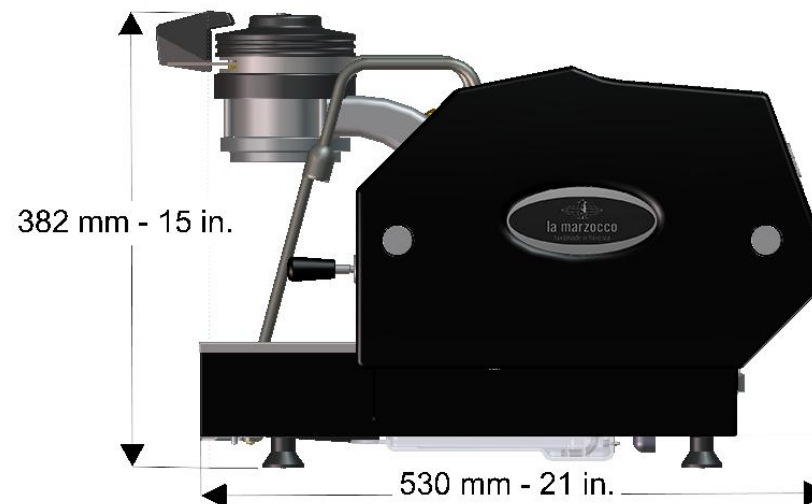
SPECIFICATIONS

AV & MECHANICAL PADDLE

GS3 AV



GS3 MECHANICAL PADDLE





la marzocco

handmade in florence

SPECIFICATIONS

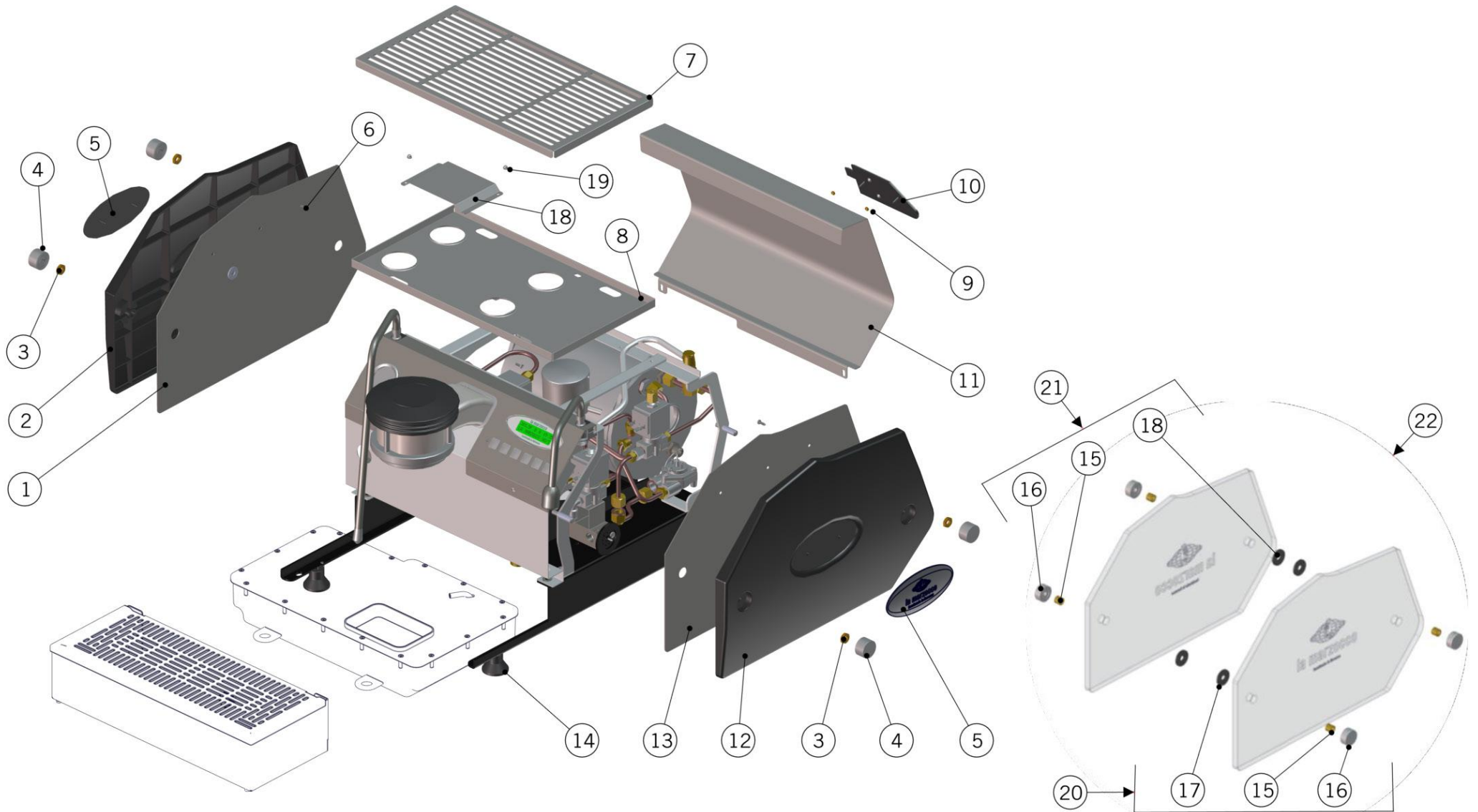
AV & MECHANICAL PADDLE

Catteristiche Tecniche	Electrical Voltage	V	110 Single Phase	220 Single Phase
	Machine weight	kg	34,5	34,5
		lb	76,1	76,1
	Shipping weight	kg	46	46
		lb	101,40	101,40
	Coffee Boiler Wattage	W	500	800
	Steam Boiler Wattage	W	1000	1200
	Total Wattage	W	1620	2120
	Required Available Amperage	A	14,6	9,6
	Coffee Boiler Capacity	liters	1,3	1,3
Steam Boiler Capacity	liters	3,5	3,5	
Total Capacity	liters	4,8	4,8	



la marzocco
handmade in florence

BODY PANEL ASSEMBLY





la marzocco

handmade in florence

BODY PANEL ASSEMBLY

Carrozeria

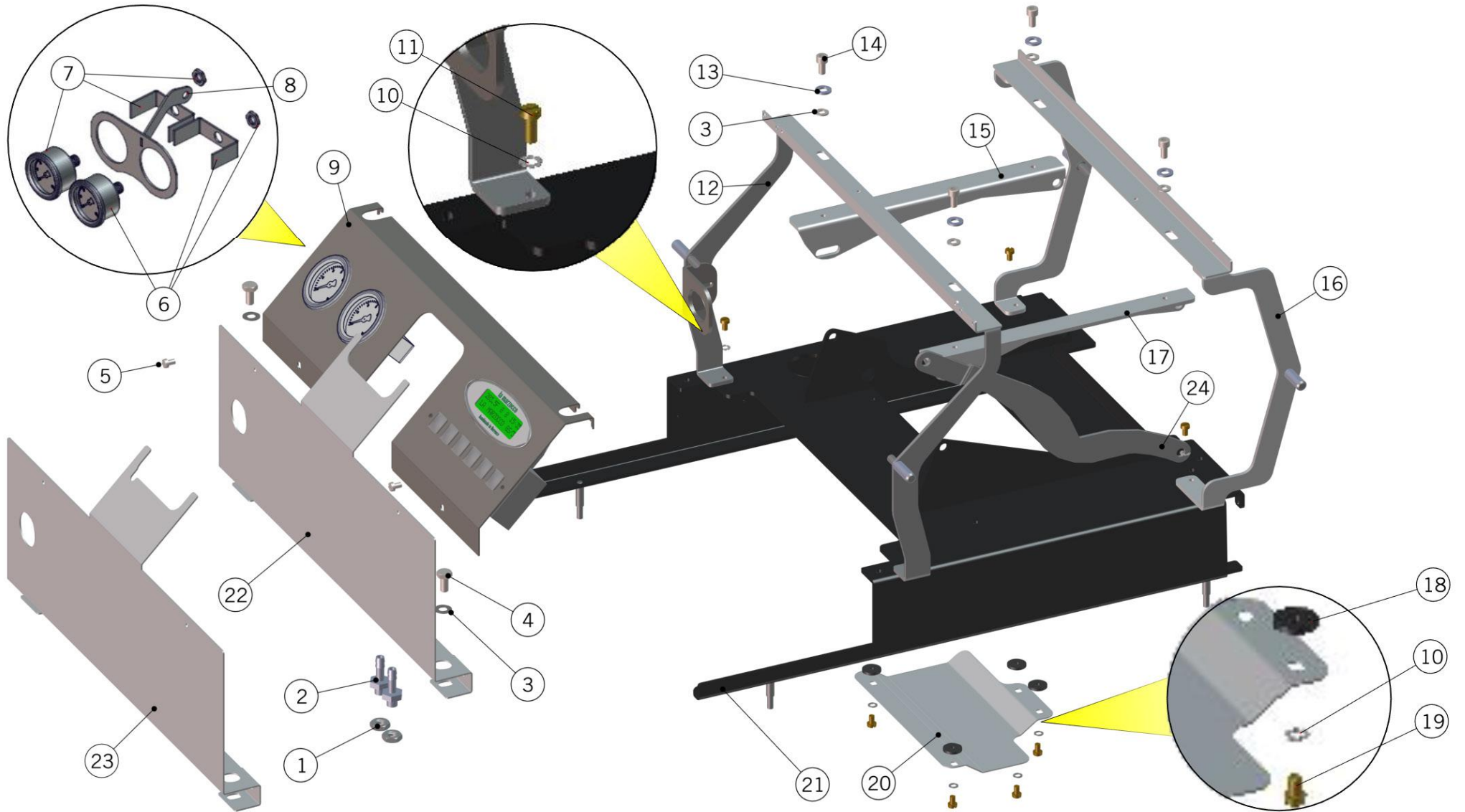
1	C.1.044.SX	PANEL INTERNAL LEFT SIDE GS3	PANNELLO INTERNO LATERALE SINISTRO GS3
2	F.1.009.SX	PANEL LEFT SIDE GS3	PANNELLO LATERALE SX GS3
3	I.1.025	NUT M8 H5 WR13 BRASS	DADO BASSO M8 H5 CH13 (UNI5589) OTTONE
4	A.2.013	CAP NUT M8 H15 CHROMED	DADO CIECO CILINDRICO M8 H15 CROMATO
5	D.3.001.01	OVAL LOGO LA MARZOCCO GS3	LOGO LA MARZOCCO OVALE GS3
6	VITEAUT2.9X9.5	SELF TAP. SCREW 2,9X9,5 PHIL.ROUND-PAN	VITEAUT. 2,9X9,5 TCB A CROCE ZINCATA
7	C.1.047	GRID CUPWARMER GS3	GRIGLIA SCALDATAZZE GS3
8	C.1.048.02	TRAY CUP WARMER GS3	VASSOIO SCALDATAZZE GS3
9	DADO3M	NUT M3 H3 WR5,5 BRASS	DADO M3 H3 CH5,5 OTTONE
10	D.2.001	LOGO BACK PANEL GS3	LOGO POSTERIORE GS3
11	C.1.045	PANEL BACK GS3	PANNELLO POSTERIORE GS3
12	F.1.009.DX	PANEL RIGHT SIDE GS3	PANNELLO LATERALE DX GS3
13	C.1.044.DX	PANEL INTERNAL RIGHT SIDE GS3	PANNELLO INTERNO LATERALE DESTRO GS3
14	CL41.R	KIT 4 FOOT D35X25 M6 ANTI-STAIN RUBBER	KIT 4 PIEDINI D35X25 M6 ANTIMACCHIA
15	C.4.003	SPACER 8X11,3X10 BRASS	DISTANZIALE 8X11,3X10 OTTONE
16	A.2.025	CAP NUT M8 CHROMED GLASS PANEL	DADO CIECO CIL. M8 CROMATO PANN.VETRO
17	F.2.025	BLACK PLASTIC WASHER 8.4x25x2.5	RONDELLE IN PLASTICA NERA 8.4x25x2.5
18	C.1.030.02	PROTECTION CUPWARMER HOLE 116MM	PROTEZIONE FORO SCALDATAZZE 116MM
19	I.1.108	CAP NUT M3 H6,5 CH5,5 S/S	DADO C/CALOTTA M3 H6,5 CH5,5 INOX
20	C.5.003.01.R	PANEL RIGHT SIDE GS3 GLASS W/LOGO NEW	PANN. LATERALE DX GS3 VETRO C/LOGO NUOVO
21	C.5.004.01.R	PANEL LEFT SIDE GS3 GLASS W/LOGO NEW	PANN. LATERALE SX GS3 VETRO C/LOGO NUOVO
22	C.5.008.01.R	GLASS PANELS GS/3 NEW (LEFT+RIGHT)	SET COMPL.PAN.VETRO GS/3 NUOVI C/SCRITTA
Item	Part number/Codice	Description	Descrizione



la marzocco

handmade in florence

BODY PANEL ASSEMBLY





la marzocco

handmade in florence

BODY PANEL ASSEMBLY

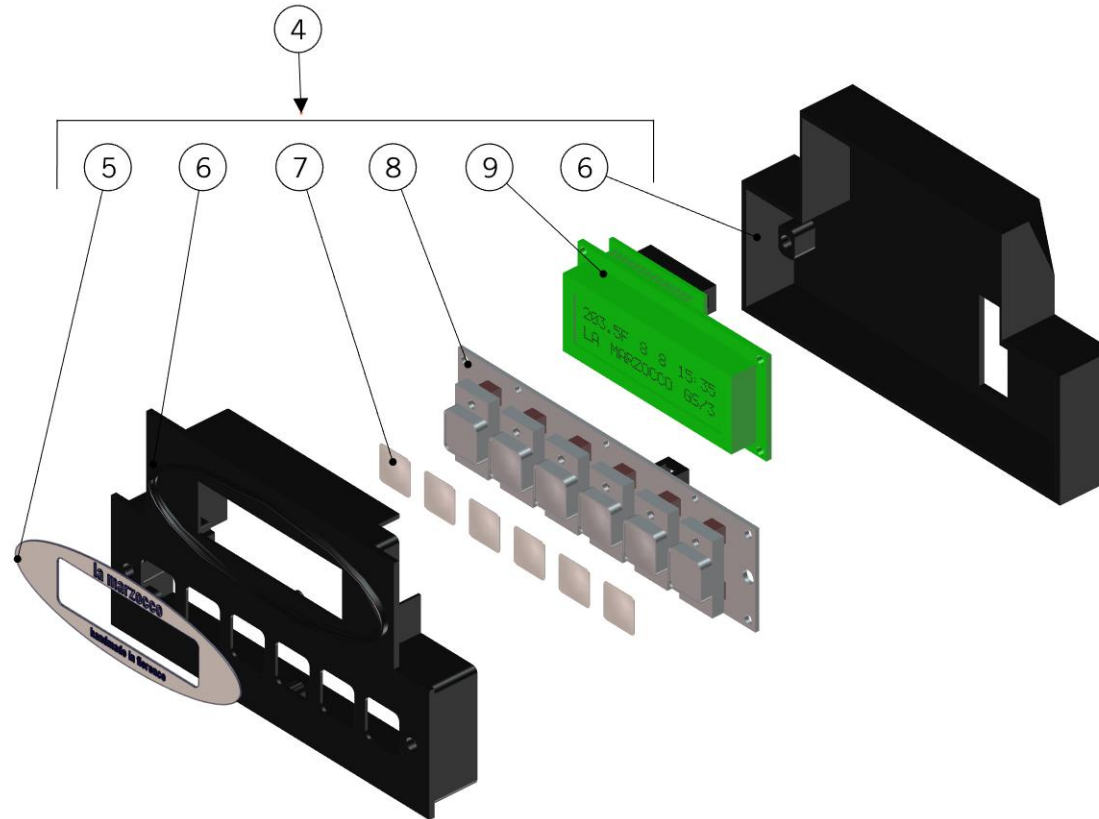
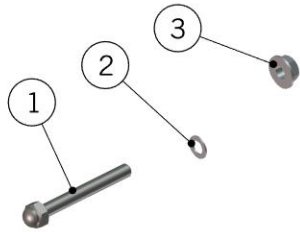
Carrozzeria

1	L292/R	NUT G1/8 H4,5 WR14 BRASS NICKEL PLATED	DADO G1/8 H4,5 CH14 OT.NICH.(PORTAGOMMA)
2	L292	GS/3 TUBE FITTING	PORTAGOMMA GS/3
3	RONDELLA6X12	WASHER 6,4X12X1,5 S/S A2	RONDELLA 6,4X12X1,5 INOX A2
4	L120/2	SCREW M6X10 SOCKET CAP S/S A2	VITE M6X10 TC A BRUGOLA INOX A2
5	I.1.006	SCREW M4X8 PHILLIPS BUTTON HEAD S/S A2	VITE M4X8 TPB A CROCE INOX A2
6	E.3.023	PRESS.GAUGE 0-3 WHITE W/CAPILLARY GS3	MANOMETRO 0-3 BIANCO C/CAPILLARE GS3
7	E.3.022	PRESS.GAUGE 0-18 WHITE W/CAPILLARY GS3	MANOMETRO 0-18 BIANCO C/CAPILLARE GS3
8	C.1.039	BRACKET PRESSURE GAUGE GS3	STAFFA MANOMETRO GS3
9	C.1.046	PANEL FRONT GS3	PANNELLO FRONTALE GS3
10	ROND_DENT_4	TOOTH LOCK WASHER 4X8X1 GALVANIZED	ROND.DENTATA 4X8X1 ZINCATA
11	VITE4X10	SCREW M4X10 CHEESE BRASS	VITE M4X10 TC A TAGLIO OTTONE
12	C.1.063	BODY FRAME FRONT GS3	TELAIO ANTERIORE GS3
13	I.1.039	WASHER 5,4X10X1 S/S A2	RONDELLA 5,4X10X1 INOX A2
14	I.1.005	SCREW M5X10 SOCKET CAP S/S A2	VITE M5X10 TC A BRUGOLA INOX A2
15	C.1.040.SX	BRACKET BODY FRAME UPPER LEFT GS3	STAFFA TELAIO SUPERIORE SINISTRA GS3
16	C.1.062	BODY FRAME BACK GS3	TELAIO POSTERIORE GS3
17	C.1.040.DX	BRACKET BODY FRAME UPPER RIGHT GS3	STAFFA TELAIO SUPERIORE DESTRA GS3
18	F.2.005.01	DUMPER WASHER	RONDELLA ANTIVIBRANTE
19	VITE4X8	SCREW M4X8 CHEESE BRASS	VITE M4X8 TC A TAGLIO OTTONE
20	C.1.060	MOTOR PROTECTION	PROTEZIONE MOTORE
21	C.1.038	FRAME BASE WITH BOILERS BRACKETS GS3	BASE CON STAFFE CALDAIE GS3
22	C.1.043	PANEL FRONT CENTRAL GS3	PANNELLO FRONTALE CENTRALE GS3
23	C.1.137	PANEL FRONT CENTRAL GS3 MP	PANNELLO FRONTALE CENTRALE GS3 MP
24	C.1.061	STIFFENER FRAME GS3	STAFFA DIAGONALE GS3
Item	Part number/Codice	Description	Descrizione



la marzocco
handmade in florence

ELECTRICAL SYSTEM ASSEMBLY





la marzocco

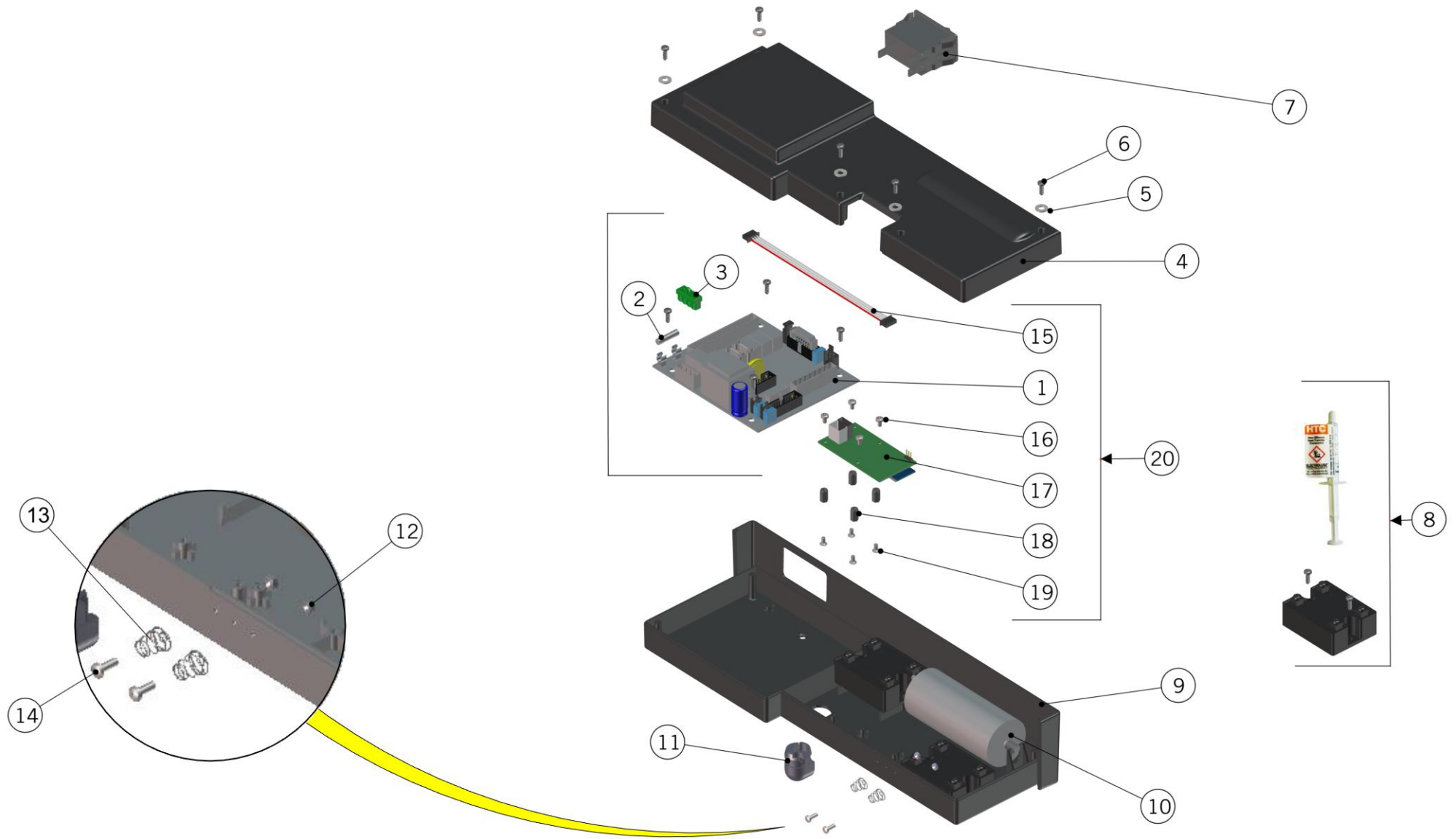
handmade in florence

ELECTRICAL SYSTEM ASSEMBLY

Impianto Elettrico

1	I.2.001.01	KEYPAD SCREW	VITI FISSAGGIO PULSANTIERA C/ESAGONO
2	ROND_DENT_4	TOOTH LOCK WASHER 4X8X1 GALVANIZED	ROND.DENTATA 4X8X1 ZINCATA
3	DADO4M	NUT M4 H3 WR7 BRASS	DADO M4 H3 CH7 OTTONE
4	E.1.015	DISPLAY LCD BLUE GS3 AV W/BUTTON	DISPLAY LCD BLU GS3 AV C/TASTIERA
	E.1.015.01	DISPLAY LCD GS3 AV W/ NEW BUTTONS	DISPLAY LCD GS3 AV C/ NUOVA TASTIERA
	E.1.015.P	DISPLAY LCD BLUE GS3 MP W/BUTTON	DISPLAY LCD BLU GS3 MP C/TASTIERA
	E.1.015.P.01	DISPLAY LCD GS3 MP W/ NEW BUTTONS	DISPLAY LCD GS3 MP C/ NUOVA TASTIERA
5	E.1.015/3.01	DISPALY DECAL NEW BUTTONS COVER	MEMBRANA DISPLAY LCD + RESINA NUOVA TAST
6	E.1.015/6	COVER AND BOTTOM FOR E.1.015	CUSTODIA + COPERCHIO E.1.015
7	E.1.015/1	SWITCH DECALS COVER AV	MEMBRANA 6TAST GS3 + RESINA
	E.1.015/2	SWITCHES DECALS COVER MP	MEMBRANA 6 TASTI GS3 MP + RESINA
8	E.1.015/5	BUTTON BOARD 6 BUTTONS GS3	PULSANTIERA 6 TASTI GS3
9	E.1.015/4	LCD DISPLAY FOR E.1.015	SCHEDA INTERFACCIA DISPLAY LCD GS3
Item	Part number/Codice	Description	Descrizione

ELECTRICAL SYSTEM ASSEMBLY





la marzocco

handmade in florence

ELECTRICAL SYSTEM ASSEMBLY

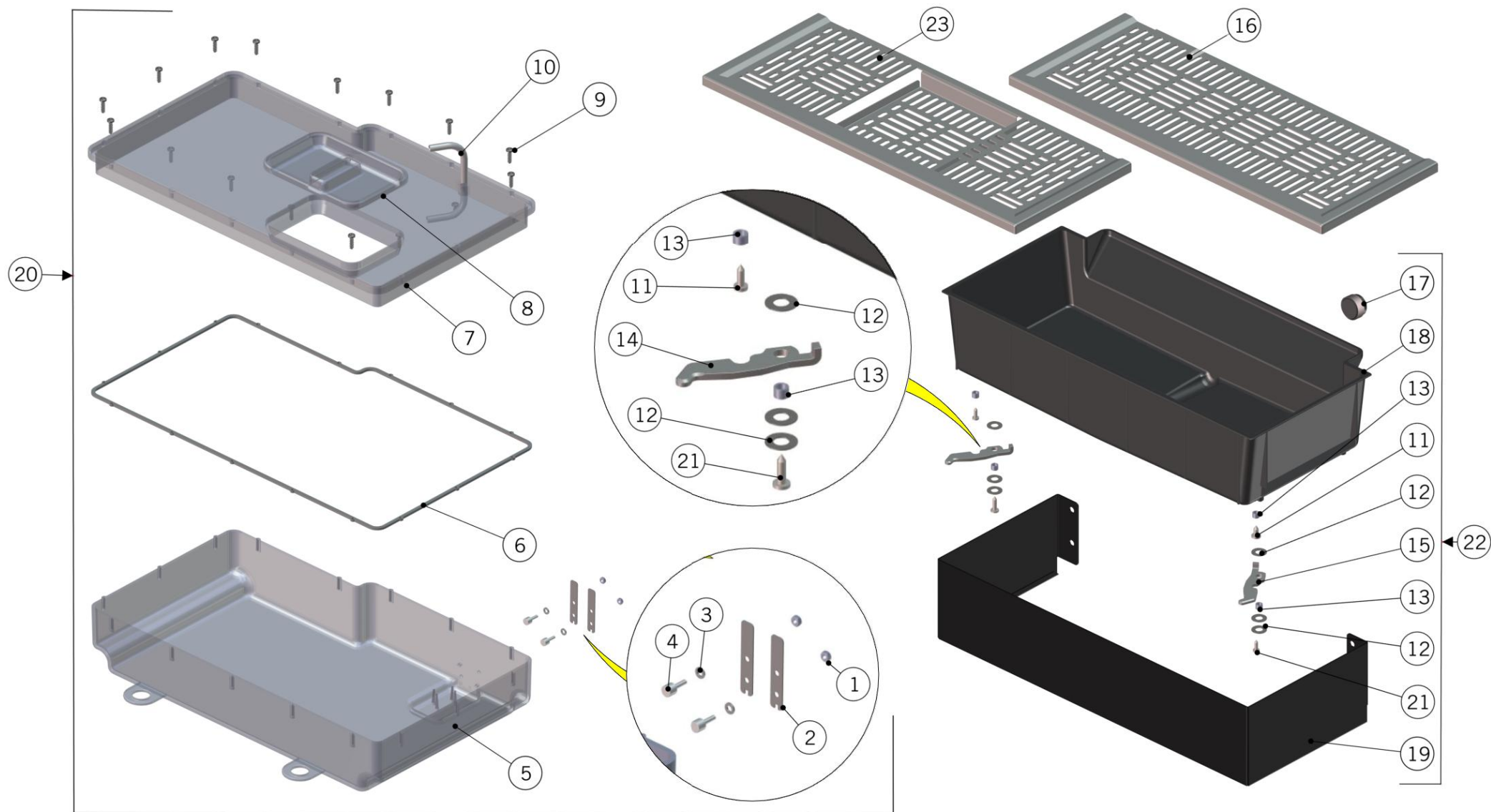
1	E.1.053	ELECTRONIC BOARD GS3 AV	CENTRALINA GS3 AV
	E.1.054	ELECTRONIC BOARD GS3 MP	CENTRALINA GS3 MP
2	E.2.016	GS3 BOARD FUSE	FUSIBILE CENTRALINA GS3
3	E.2.015/1	CONNECTOR 110V GS3	CONNETTORE 110V GS3
	E.2.015/2	CONNECTOR 220V GS3	CONNETTORE 220V GS3
4	F.1.011	ELECTRONIC BOX COVER GS3	COPERTURA SCATOLA ELETTRONICA GS3
5	RONDINOXGS/3	WASHER 3X6X0,5 S/S A2	RONDELLA 3X6X0,5 INOX A2
6	VITEAUT.2.2X9.5	SELF TAP. SCREW 2,2X9,5 PHIL.ROUND-PAN	VITEAUT. 2,2X9,5 TCB A CROCE ZINCATA
7	E.2.010	SWITCH ROCKER DOUBLE-POLE 20A	INTERRUTTORE A TASTO BIPOLARE 20A
8	E.4.010.01.R	SSR 25A 240V W/THERMAL COMPOUND	RELE' 25A 240V C/PASTA TERMICA
9	F.1.010.01	ELECTRONIC BOX GS3	SCATOLA ELETTRONICA GS3
10	E.7.001.C	CAPACITOR 25mF 110V	CONDENSATORE 25mF 110V
	E.7.002.C	CAPACITOR 7mF 220V	CONDENSATORE 7mF 220V
11	E.2.009	90° STRAIN RELIEF FOR GS3	PRESSACAPO 90° PER GS3
12	DADO3M	NUT M3 H3 WR5,5 BRASS	DADO M3 H3 CH5,5 OTTONE
13	F.3.021.01	SPRING 0,7X10,6X10,6 NICKEL P. CONICAL	MOLLA 0,7X10,6X10,6 NICHELATA CONICA
14	VITE3X8	SCREW M3X8 PHILLIPS ROUND-PAN S/S A2	VITE M3X8 TCB A CROCE INOX A2
15	E.1.055	CABLE GATEWAY HOME MACHINE 25CM	CAVO GATEWAY HOME MACHINE 25CM
16	I.1.054	SCREW M3X5 PHILLIPS ROUND PAN S/S A2	VITE M3X5 TCB A CROCE INOX A2
17	E.4.359.01	WIFI BOARD HOME MACHINE	SCHEDA WIFI HOME MACHINE
18	I.6.012	STANDOFF HEX THREADED	DISTANZIALE ESAGONALE FILETTATO
19	I.1.060	SCREW M3X6 PHILLIPS COUNTERSUNK S/S A2	VITE M3X6 TS A CROCE INOX A2
20	971	RETROFIT KIT CONNECTED GS3 AV 220V	KIT RETROFIT GS3 CONNESSA AV 220V
	972	RETROFIT KIT CONNECTED GS3 MP 220V	KIT RETROFIT GS3 CONNESSA MP 220V
	974	RETROFIT KIT CONNECTED GS3 AV 110V	KIT RETROFIT GS3 CONNESSA AV 110V
	976	RETROFIT KIT CONNECTED GS3 MP 110V	KIT RETROFIT GS3 CONNESSA MP 110V
Item	Part number/Codice	Description	Descrizione



la marzocco

handmade in florence

DRAIN BOX AND WATER RESERVOIR ASSEMBLY





la marzocco

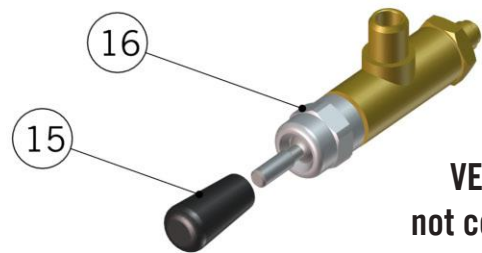
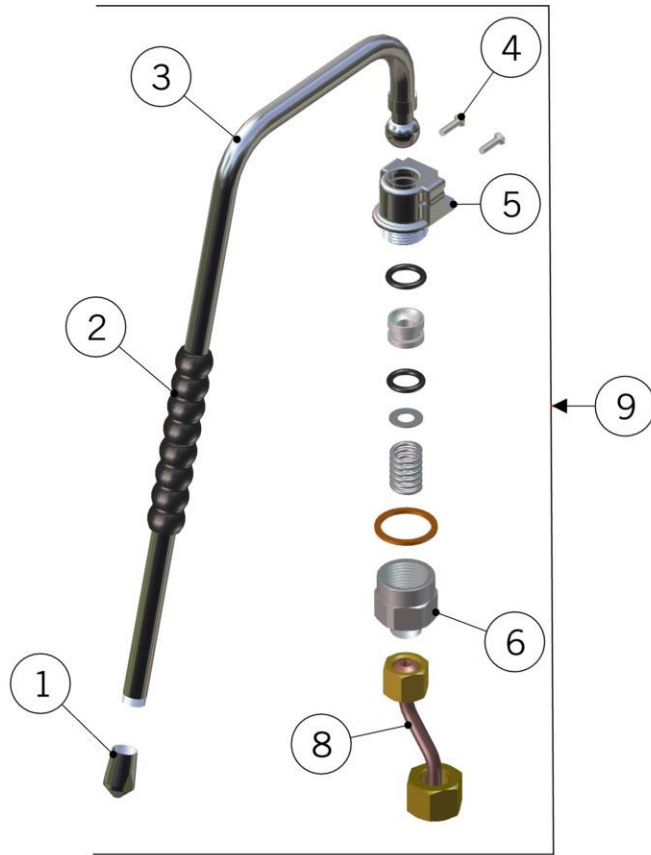
handmade in florence

DRAIN BOX AND WATER RESERVOIR ASSEMBLY

Contenitori

1	DADO3M	NUT M3 H3 WR5,5 BRASS	DADO M3 H3 CH5,5 OTTONE
2	C.1.051.1.01	CONTACT FOR LEVEL PROBE LINEA MINI	CONTATTO SONDA LIVELLO LINEA MINI
3	I.6.003	NYLON WASHER 3.2x7x1	RONDELLA NYLON 3.2x7x1
4	A.5.001	WATER RESERVOIR LEVEL SENSOR	SENSORE LIVELLO SERBATOIO
5	F.1.013	WATER RESERVOIR GS3	SERBATOIO GS3
6	F.2.012	GS/3 GASKET - WATER RESERVOIR	GUARNIZIONE SERBATOIO GS3
7	F.1.014	COVER WATER RESERVOIR GS3	COPERTURA SERBATOIO GS3
8	F.1.017	GS3 WATER RESERVOIR LID	COPERCHIO PER SERBATOIO GS3
9	VITE2.2X13	SELF TAP. SCREW2,2X13 PHIL.COUNT. S/S A2	VITEAUT 2,2X13 TS A CROCE INOX A2
10	T.2.115	TUBE WATER RESEVOIR SUCTION S/S GS3	TUBO PESCAGGIO ACQUA SERBATOIO INOX GS3
11	VITEAUT.2.9X9.5	SELF TAP. SCREW 2,9X9,5 PHIL.ROUND-PAN	VITEAUT. 2,9X9,5 TCB A CROCE ZINCATA
12	RONDELLA6X13	WASHER 6X13X0,5 BRASS	RONDELLA 6X13X0,5 OTTONE
13	A.5.009	SPACER 4X6X4,2 S/S	DISTANZIALE 4X6X4,2 INOX
14	C.1.069SX	LEVER LEFT LOCK DRAIN BOX	LEVA DI BLOCCO SX BACINELLA
15	C.1.069DX	LEVER RIGHT LOCK DRAIN BOX	LEVA DI BLOCCO DX BACINELLA
16	C.1.042.01	GRID DRAIN TRAY GS3	GRIGLIA SCARICO GS3
17	F.2.018	DRAIN BOX NIPPLE CAP GS3	TAPPO PER VASCA DI SCARICO GS3
18	F.1.008.02	DRAIN BOX GS3	BACINELLA DI SCARICO GS3
19	C.1.041.01	COVER DRAIN TRAY GS3	COPERTURA BACINELLA SCARICO GS3
20	SA308.R	COMPLETE WATER RESERVOIR GS3	SERBATOIO COMPLETO GS3
21	I.1.062	SELFTAP. SCREW 3,5X13 PHIL.ROUND-PAN S/S	VITEAUT. 3,5X13 TCB A CROCE INOX A2
22	F.1.008.01.R	DRAIN BOX GS3 COMPLETE	BACINELLA DI SCARICO GS3 COMPLETA
23	C.1.403	GRID DRAIN GS3 W/SCALE	GRIGLIA SCARICO GS3 C/BILANCIA
Item	Part number/Codice	Description	Descrizione

STEAM AND HOT WATER ASSEMBLY

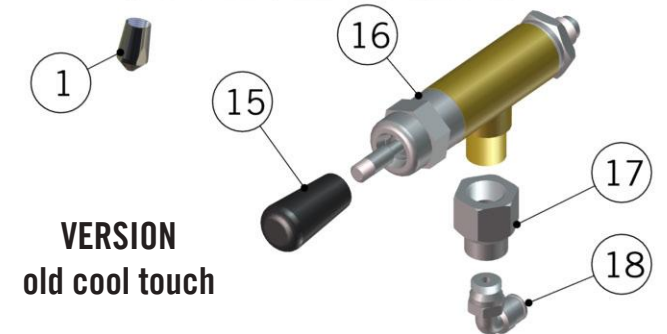
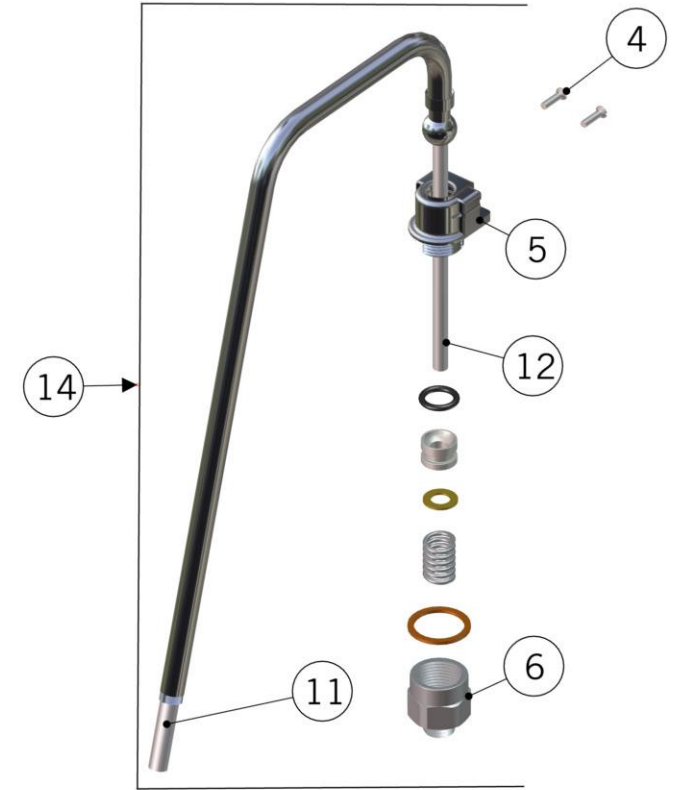


**VERSION
not cool touch**



REBUILD KIT STEAM /HOT WATER WAND GS3

**VERSION
cool touch**



**VERSION
old cool touch**



la marzocco

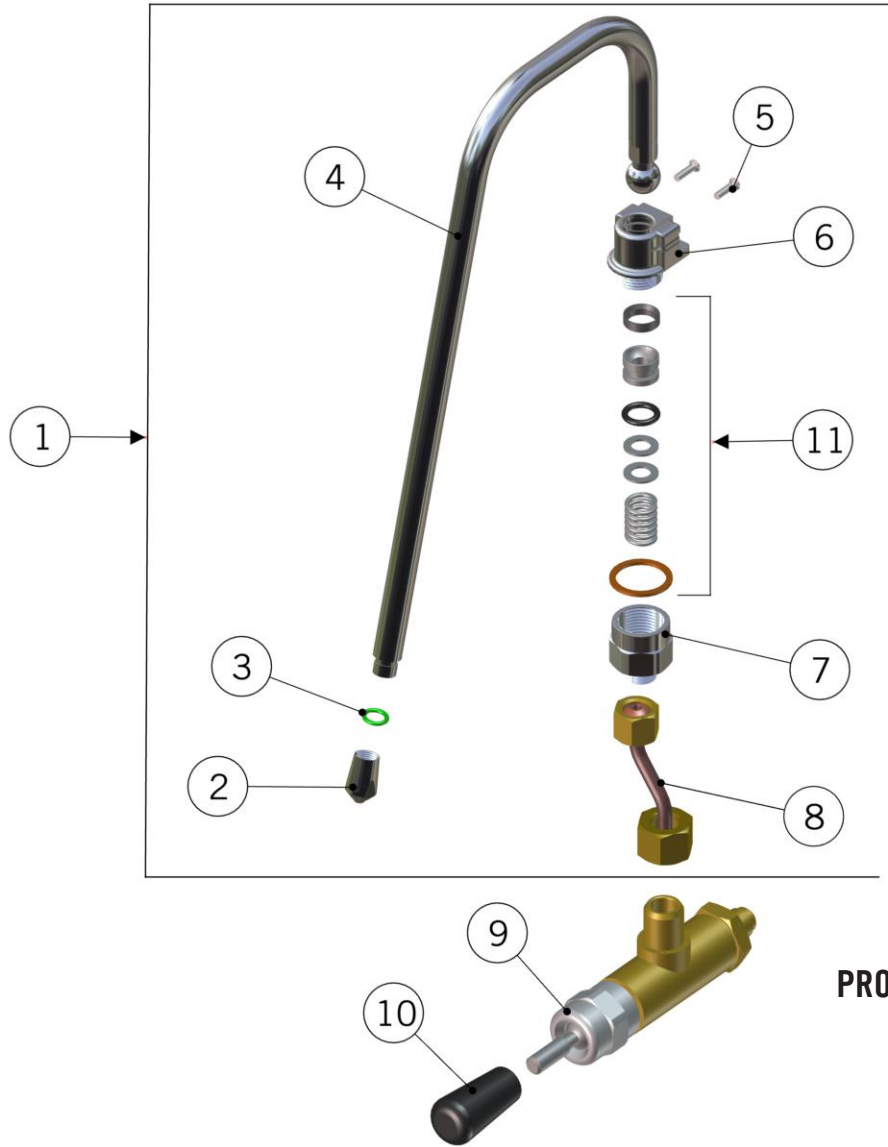
handmade in florence

STEAM AND HOT WATER ASSEMBLY

Lance

1	L173	STEAM TIP D1,5	SPRUZZATORE VAPORE D1,5
	L178.01	STEAM TIP D1,2	SPRUZZATORE VAPORE D1,2
2	F.2.017	STEAM WAND RUBBER PROTECTION 80mm	GOMMINO LANCIA VAPORE 80mm
3	T.2.101	STEAM WAND S/S GS3	LANCIA VAPORE INOX GS3
4	I.1.045	SCREW M3X12 PHILLIPS COUNTERSUNK S/S A2	VITE M3X12 TS A CROCE INOX A2
5	A.5.006	GS3 STEAM WAND HOLDER, S/S	SUPPORTO INOX LANCIA VAPORE GS3
6	F.4.007	FITTING G1/4M - M20F H31	RACCORDO G1/4M - M20F H31
7	SA309.R	REBUILD KIT STEAM /HOT WATER WAND GS3	KIT MANUTENZIONE LANCIA VAP. O TE' GS3
8	T.2.118.01	TUBE STEAM VALVE - STEAM WAND GS3	TUBO RUB. VAPORE - LANCIA VAPORE GS3
9	SA309/2_KIT	KIT NEW STEAM WAND ASSEMBLY GS/3	ASS.TUBO VAPORE NO COOL TOUCH GS/3
10	L160/3.02	HOT WATER SPOUT G1/8 TREATED	DIFFUSORE ACQUA CALDA G1/8 TRATT. ALIM.
11	T.3.002	PTFE TUBE 1/4-5/16	TUBETTO PTFE 1/4-5/16
12	T.3.001	PTFE TUBE 1/8-1/4	TUBETTO PTFE 1/8-1/4
13	SA309THE.01	HOT WATER WAND S/S GS3	SA TUBO THE GS/3
14	SA309/3	GS3 STAINLESS STEEL STEAM WAND ASSMBLY	ASSIEME NUOVO TUBO VAPORE + COOL
15	B.1.005	STEAM VALVE KNOB GS3	MANOPOLA PER RUB.VAP. GS3
16	B.1.004.01	STEAM VALVE GS3 RP	RUBINETTO VAPORE GS3 RP
17	A.2.004.01	FITTING G1/4F-G3/8F WR22 BRASS TREATED	RACCORDO G1/4F-G3/8F CH22 OTTONE TRATT.
18	A.2.102	G1/4-G1/4 90° FITTING	RACCORDO CURVO G1/4-G1/4
Item	Part number/Codice	Description	Descrizione

STEAM AND HOT WATER ASSEMBLY



PRO-TOUCH VERSION

FROM S/N 7257



la marzocco

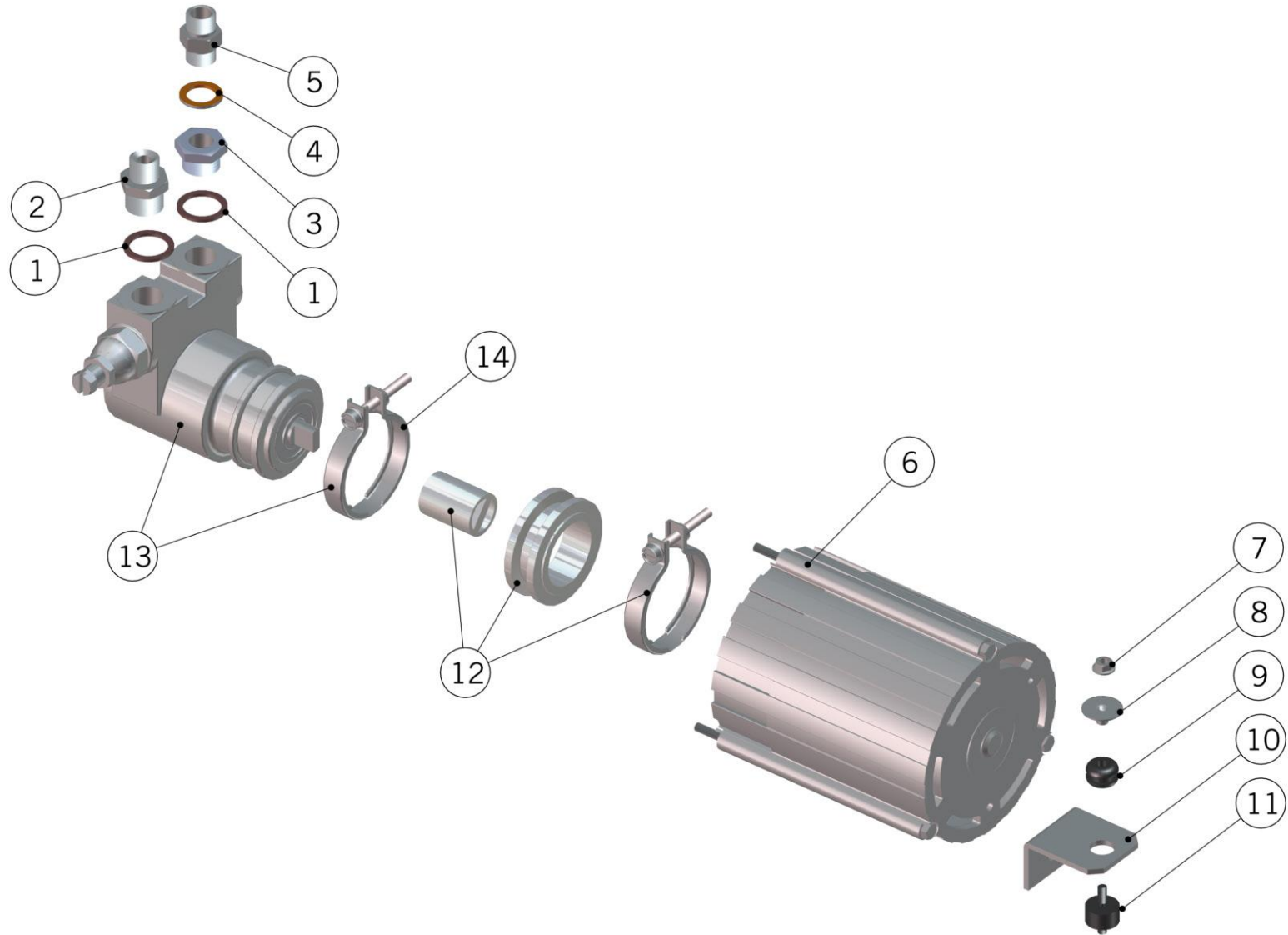
handmade in florence

STEAM AND HOT WATER ASSEMBLY

Lance

1	938	RETROFIT KIT PRO TOUCH GS3	KIT RETROFIT PRO TOUCH GS3
2	A.5.050	STEAM TIP PRO TOUCH D1,5	SPRUZZATORE VAPORE PRO TOUCH D1,5
	A.5.054.01	STEAM TIP PRO TOUCH D1,2	SPRUZZATORE VAPORE PRO TOUCH D1,2
3	H.1.027	O-RING 1,78X7,65 VITON 70 SH	O-RING 1,78X7,65 VITON 70 SH
4	T.2.129	STEAM WAND PRO TOUCH GS3 TREATED	LANCIA VAPORE PRO TOUCH GS3 TRAT
5	I.1.045	SCREW M3X12 PHILLIPS COUNTERSUNK S/S A2	VITE M3X12 TS A CROCE INOX A2
6	A.5.006.01	STRADA STEAM WAND HOLDER, S/S	SUPPORTO INOX LANCIA VAPORE STRADA
7	F.4.007	FITTING G1/4M - M20F H31	RACCORDO G1/4M - M20F H31
8	T.2.118.01	TUBE STEAM VALVE - STEAM WAND GS3	TUBO RUB. VAPORE - LANCIA VAPORE GS3
9	B.1.004.01	STEAM VALVE GS3 RP	RUBINETTO VAPORE GS3 RP
10	B.1.005	STEAM VALVE KNOB GS3	MANOPOLA PER RUB.VAP. GS3
11	SA210.K	REBUILD KIT STEAM /HOT WATER WAND STRADA	KIT MANUTENZIONE TUBO VAP. O ACQUA CALDA
Item	Part number/Codice	Description	Descrizione

WATER MOTOR PUMP ASSEMBLY





la marzocco

handmade in florence

WATER MOTOR PUMP ASSEMBLY

Pompa

1	L180/1	WASHER 22X17X1,5 COPPER	RONDELLA 17X22X1,5 RAME
2	A.2.011.01	NIPPLE G3/8M-G1/4M WR20 BRASS TREATED	NIPPLO G3/8M-G1/4M CH20 OTTONE TRATT.
3	A.5.107	FITTING G3/8M-G1/4F WR19 S/S	RACCORDO G3/8M-G1/4F CH19 INOX
4	L100/1A	WASHER 13,5X19X1,5 COPPER	RONDELLA 13,5X19X1,5 RAME
5	B.2.027	CHECK VALVE H27,5	VALVOLA NON RITORNO H27,5
6	E.7.001	MOTOR 110V FOR PUMP 70L/H	MOTORE 110V PER POMPA 70L/H
	E.7.002	MOTOR 220V FOR PUMP 70L/H	MOTORE 220V PER POMPA 70L/H
	E.7.003	MOTOR 200V 50/60HZ FOR PUMP 70L/H	MOTORE 200V 50/60HZ PER POMPA 70L/H
7	DADO4M	NUT M4 H3 WR7 BRASS	DADO M4 H3 CH7 OTTONE
8	E.2.013	RING FOR PUMP MOTOR	ANELLO PER POMPA E MOTORE
9	E.2.014	GROMMET FOR PUMP MOTOR GS3	RONDELLA ANTIVIBRANTE MOTORE POMPA GS3
10	C.1.053	MOTOR PUMP BRACKET	STAFFA MOTORE POMPA
11	E.2.012	DAMPER FOR PUMP MOTOR	ANTIVIBRANTE PER MOTORE POMPA
12	F.2.020	ANTI-VIBRATION ADAPTER KIT FOR PUMP	KIT ADATTATORE ANTI-VIBRANTE POMPA
13	E.3.003.01	PUMP GS3 70 l/h S/S	CORPO POMPANTE INOX 70 l/h
14	L290/C	PUMP CLAMP	FASCETTA PER POMPA
Item	Part number/Codice	Description	Descrizione



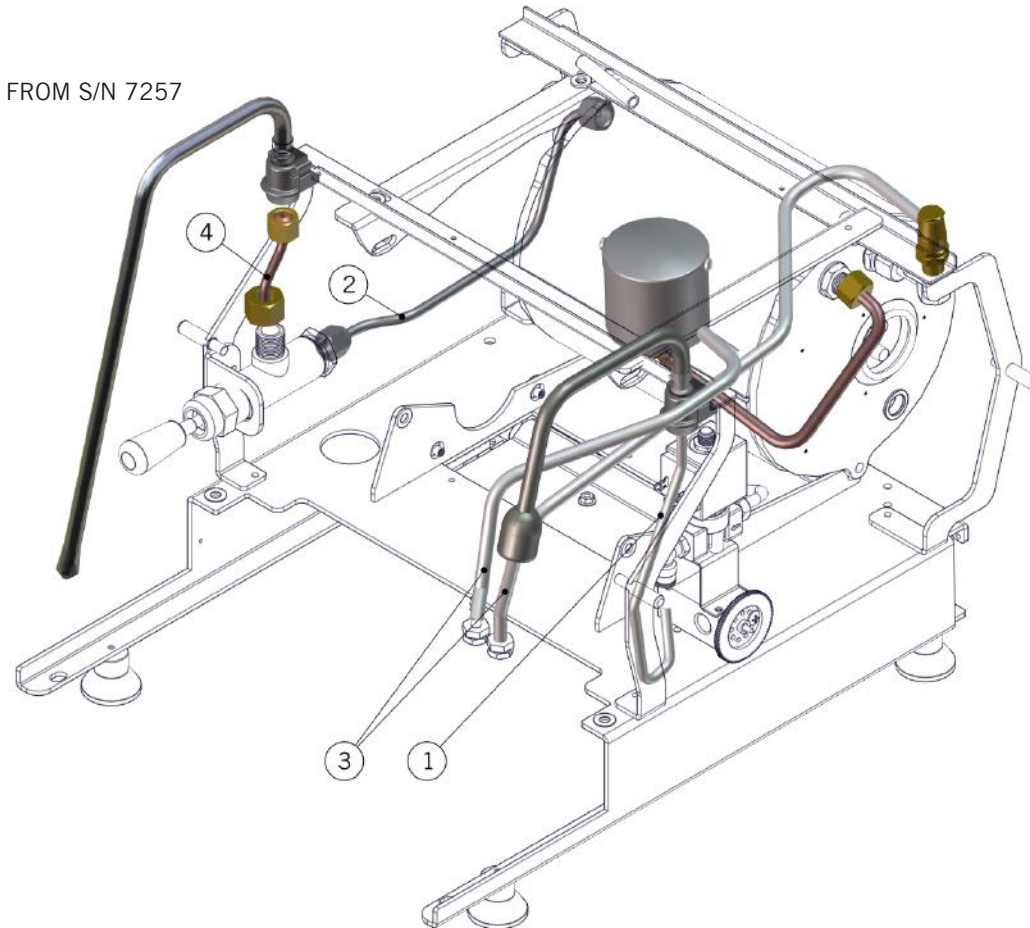
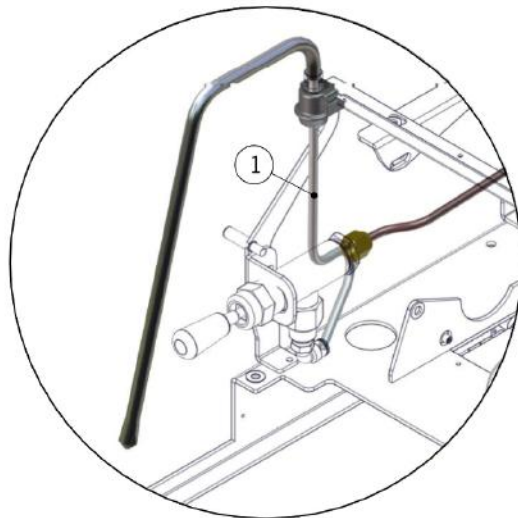
la marzocco

handmade in florence

HYDRAULIC ASSEMBLY

FROM S/N 7257

ONLY FOR
S/N 0001 TO 7256





la marzocco

handmade in florence

HYDRAULIC ASSEMBLY

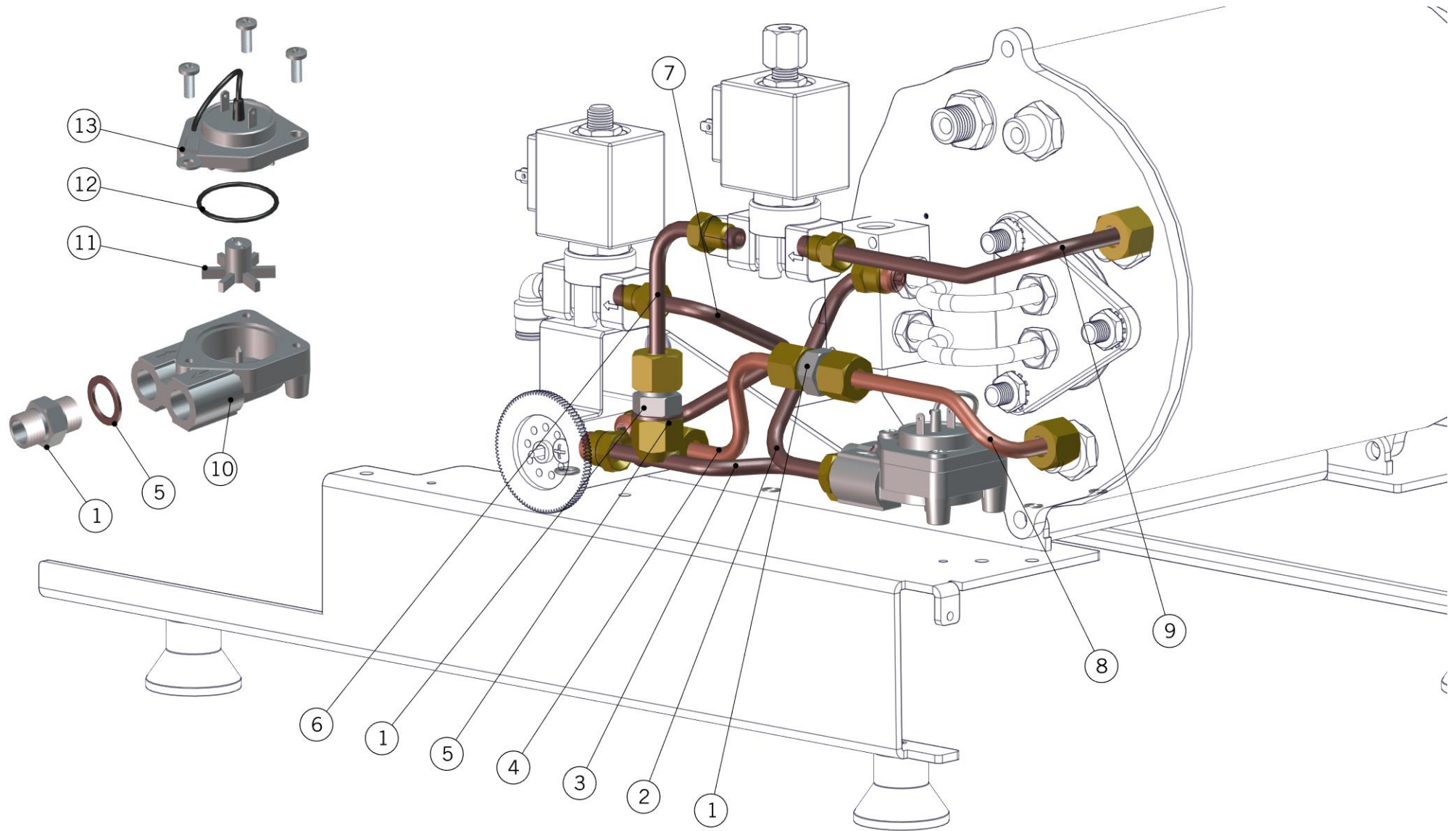
Impianto Idraulico	1	T.3.001	PTFE TUBE 1/8-1/4	TUBETTO PTFE 1/8-1/4
	2	T.2.109.01	TUBE STEAM B. - STEAM VALVE TREATED	TUBO C.VAPORE - RUBINETTO VAPORE TRATT.
	3	T.3.004	PVC HOSE SAFETY VALV GS/3	TUBO PVC DA VALV SIC GS/3
	4	T.2.118.01	TUBE STEAM VALVE - STEAM WAND GS3	TUBO RUB. VAPORE - LANCIA VAPORE GS3
	Item	Part number/Codice	Description	



la marzocco

handmade in florence

HYDRAULIC ASSEMBLY - AV





la marzocco

handmade in florence

HYDRAULIC ASSEMBLY - AV

Impianto Idraulico

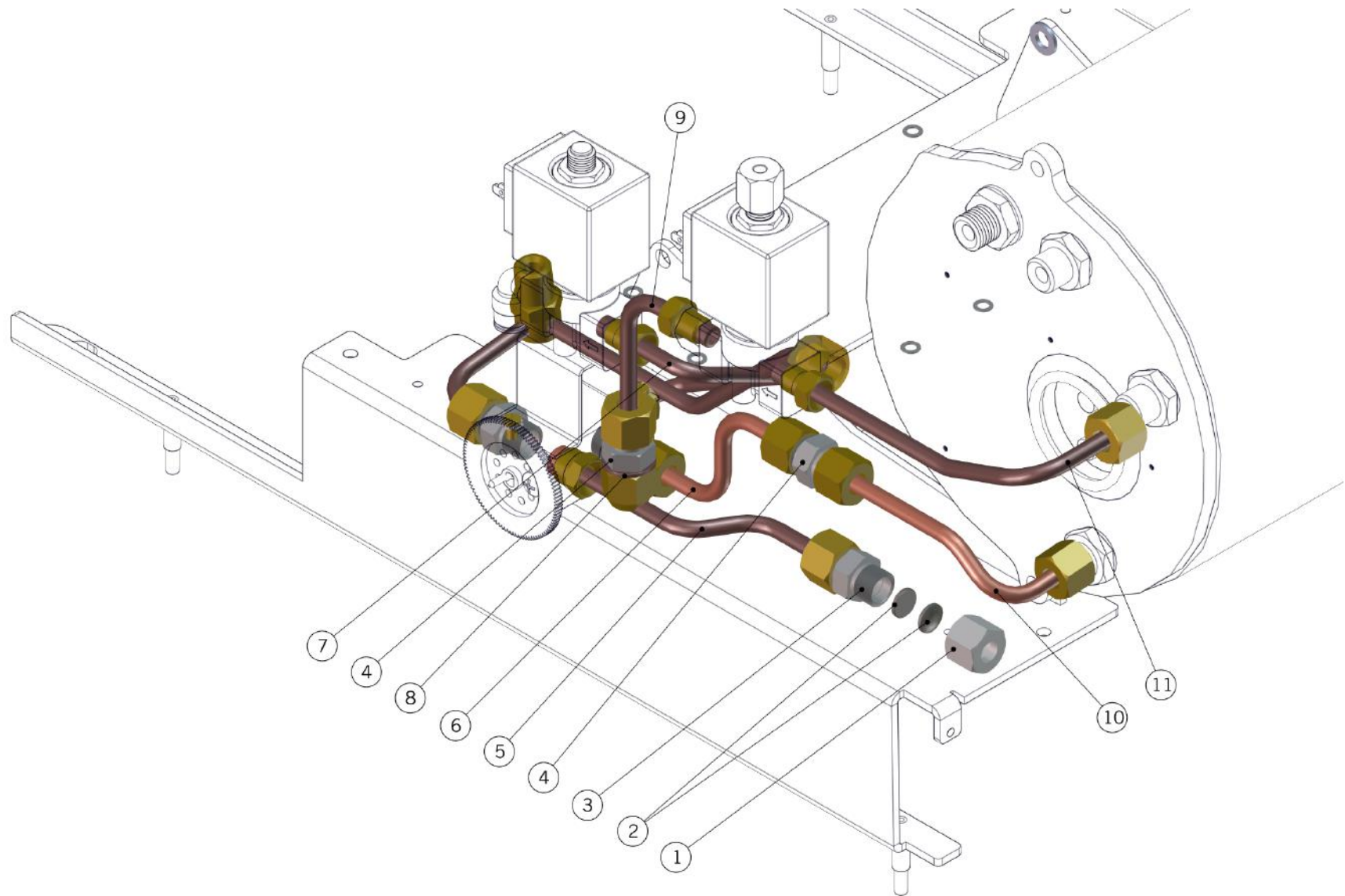
1	B.2.027	CHECK VALVE H27,5	VALVOLA NON RITORNO H27,5
2	T.2.107	TUBE FLOWMETER - MIXING VALVE	TUBO FLUSSOMETRO - VALVOLA MISCELAZIONE
3	T.2.111.01	TUBE COFFEE B. MIX V. - FLOWMETER GS3	TUBO V.MISC. C.CAFFE' - FLUSSOMETRO GS3
4	T.2.105.01/B	TUBE CHECK VALVE - MIXING VALVE GS3	TUBO V.RITEGNO - V.MISC. GS3
5	L100/1A	WASHER 13,5X19X1,5 COPPER	RONDELLA 13,5X19X1,5 RAME
6	T.2.113	TUBE CHECK VALVE -AUOFILL SOLENOID V.GS3	TUBO V.RITEGNO - EV RIEMPIMENTO GS3
7	T.2.106	TUBE MIX VALVE-HOT WATER SOLENOID V. GS3	TUBO V.MISC. - EV TE' GS3
8	T.2.105.01/A	TUBE STEAM BOILER - CHECK VALVE GS3	TUBO CALDAIA VAPORE - V.RITEGNO GS3
9	T.2.108	TUBE AUTOFILL SOLENOID V.-STEAM B. GS3	TUBO EV RIEMP. - CALDAIA VAPORE GS3
10	LAD070.01	FLOW METER	CONTATORE VOLUMETRICO UL/NSF
11	LAD070/V	FLOW METER IMPELLER	GIRANTE X CONTATORE VOLUMET.
12	LAD070/S1	FLOW METER O-RING	GUARN.OR 8-2112 V.X CONT.VOL.
13	LAD070/S.01	FLOW METER FIELD SENSOR	TESTA X CONTATORE VOLUMETRICO
Item	Part number/Codice	Description	Descrizione



la marzocco

handmade in florence

HYDRAULIC ASSEMBLY - MP





la marzocco

handmade in florence

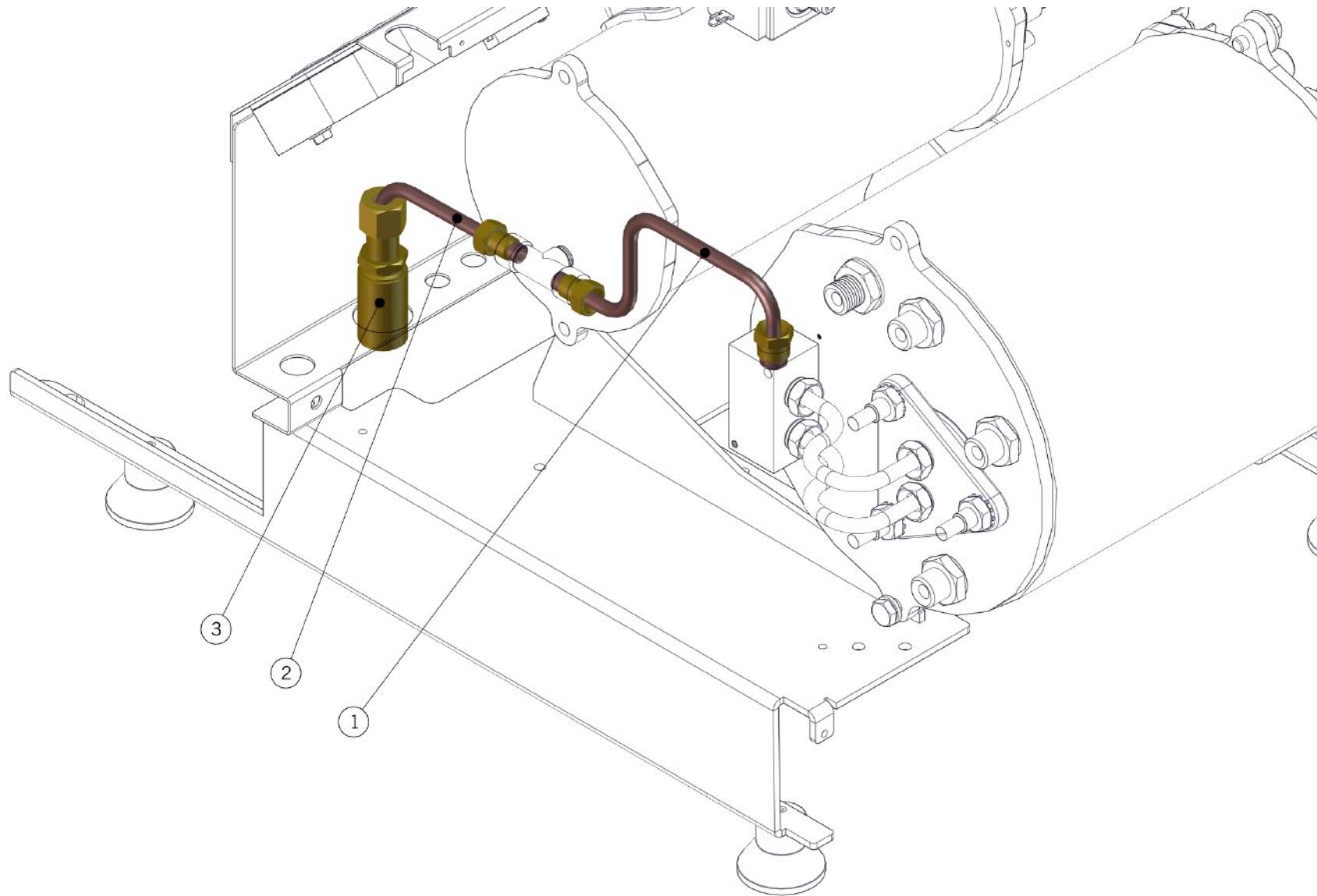
HYDRAULIC ASSEMBLY - MP

Impianto Idraulico	1	L130/4	FITTING G1/4F H13,5 WR17 BRASS	RACCORDO G1/4F H13,5 CH17 OTTONE
	2	L137/4	FERRULE BLIND 11X3 TREATED	GHIANDINA CIECA 11X3 TRATTATO
	3	L037/3.01	NIPPLE G1/4M-G1/4M WR19 H25.5 BRASS TR.	NIPPLO G1/4M-G1/4M CH19 H25.5 OT. TR.
	4	B.2.027	CHECK VALVE H27,5	VALVOLA NON RITORNO H27,5
	5	T.2.111.01	TUBE COFFEE B. MIX V. - FLOWMETER GS3	TUBO V.MISC. C.CAFFE' - FLUSSOMETRO GS3
	6	T.2.105.01/B	TUBE CHECK VALVE - MIXING VALVE GS3	TUBO V.RITEGNO - V.MISC. GS3
	7	T.2.106	TUBE MIX VALVE-HOT WATER SOLENOID V. GS3	TUBO V.MISC. - EV TE' GS3
	8	L100/1A	WASHER 13,5X19X1,5 COPPER	RONDELLA 13,5X19X1,5 RAME
	9	T.2.113	TUBE CHECK VALVE -AUOFILL SOLENOID V.GS3	TUBO V.RITEGNO - EV RIEMPIMENTO GS3
	10	T.2.105.01/A	TUBE STEAM BOILER - CHECK VALVE GS3	TUBO CALDAIA VAPORE - V.RITEGNO GS3
	11	T.2.108	TUBE AUTOFILL SOLENOID V.-STEAM B. GS3	TUBO EV RIEMP. - CALDAIA VAPORE GS3
Item	Part number/Codice		Description	Descrizione



la marzocco
handmade in florence

HYDRAULIC ASSEMBLY





la marzocco
handmade in florence

HYDRAULIC ASSEMBLY

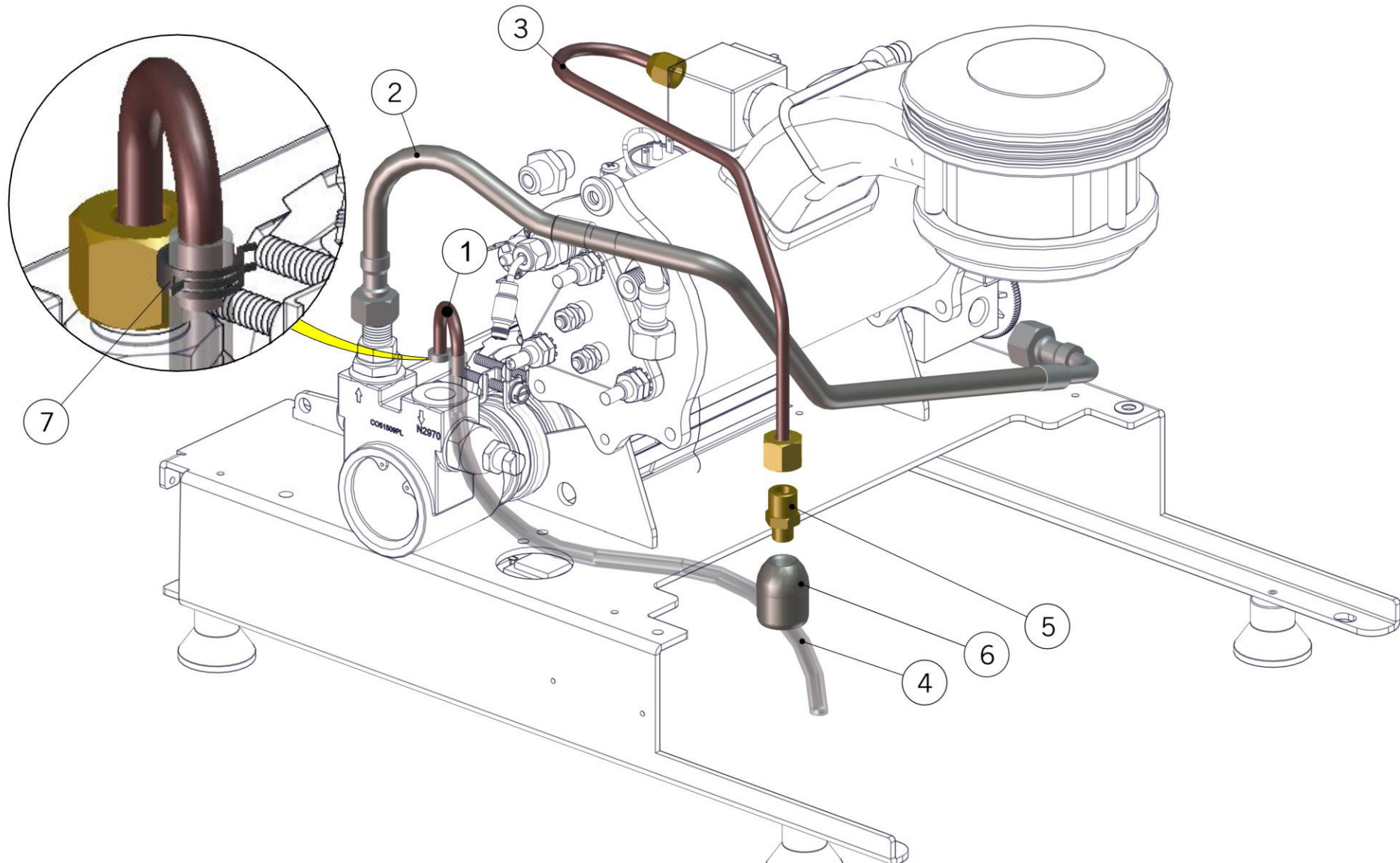
Impianto Idraulico	1	T.2.104	TUBE MIXING VALVE - COFFEE BOILER	TUBO V.MISC. - CALDAIA CAFFE'
	2	T.2.103	TUBE COFFEE BOILER - EXP. VALVE	TUBO CALDAIA CAFFE' - VALVOLA ESPANSIONE
	3	L140_C	COMPLETE EXPANSION VALVE	VALVOLA ESPANSIONE COMPLETA
	Item	Part number/Codice	Description	Descrizione



la marzocco

handmade in florence

HYDRAULIC ASSEMBLY - AV





la marzocco

handmade in florence

HYDRAULIC ASSEMBLY - AV

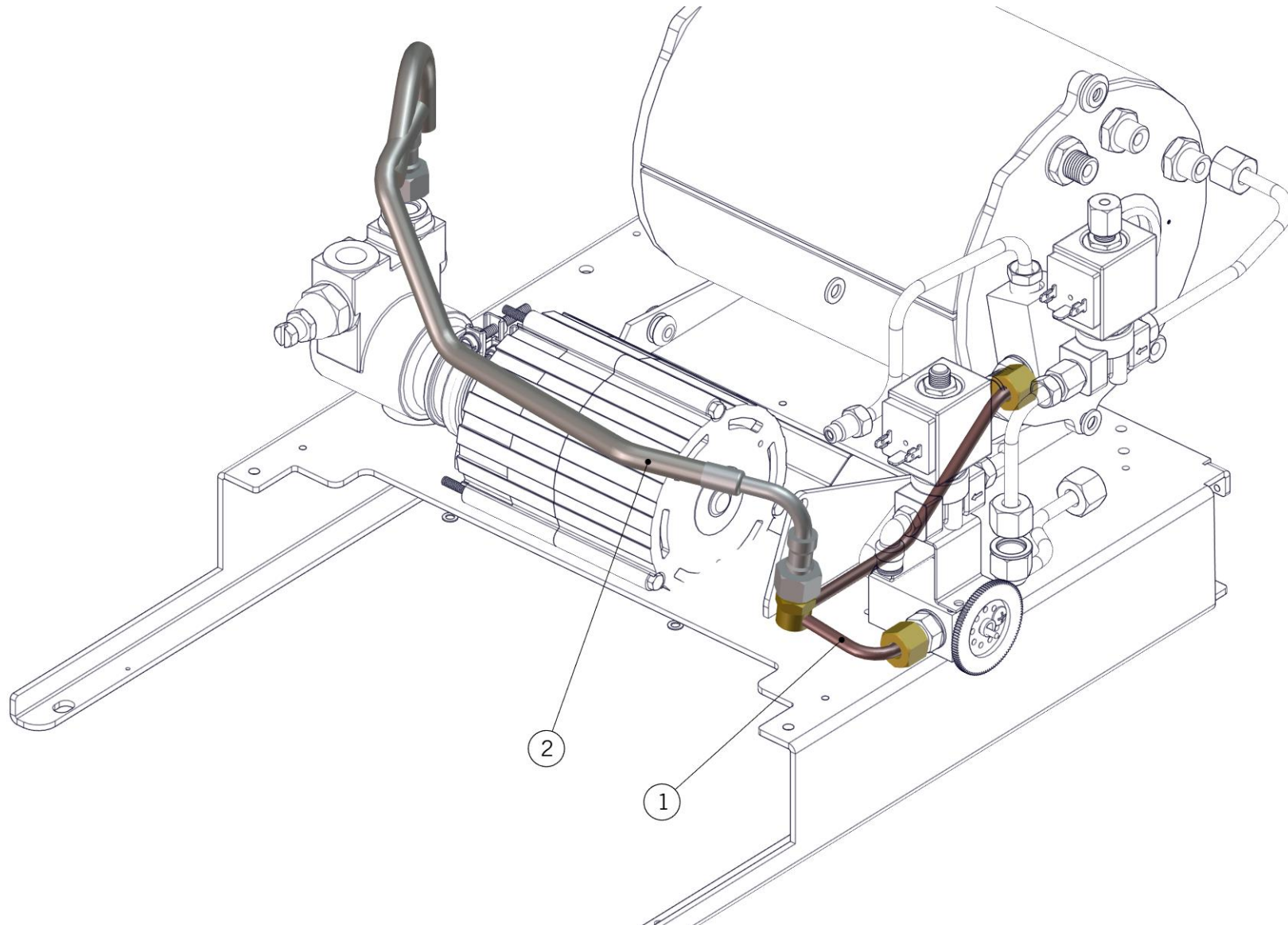
Impianto Idraulico	1	T.2.116	TUBE PUMP INLET GS3	TUBO INGRESSO POMPA GS3
	2	L307	50CM S/S BRAIDED HOSE GS3 - H12	TUBO FLEX INOX GS3 G3/8F 55CM - H12
	3	T.2.114	DRAIN TUBE BREWING SOLENOID VALVE GS3	TUBO SCARICO EV EROGAZIONE GS3
	4	T.3.003	PVC HOSE FOR WATER INLET	TUBO INGRESSO ACQUA IN PVC
	5	L053/1.01	NIPPLE R1/8M-R1/4M WR14 BRASS TR.	NIPPLO R1/8M-R1/4M CH14 OTTONE TR.
	6	L160/3.02	HOT WATER SPOUT G1/8 TREATED	DIFFUSORE ACQUA CALDA G1/8 TRATT. ALIM.
	7	F.3.009	WATER INLET TUBE CLIP	FASCETTA TUBO INGRESSO ACQUA
	Item	Part number/Codice	Description	



la marzocco

handmade in florence

HYDRAULIC ASSEMBLY - MP



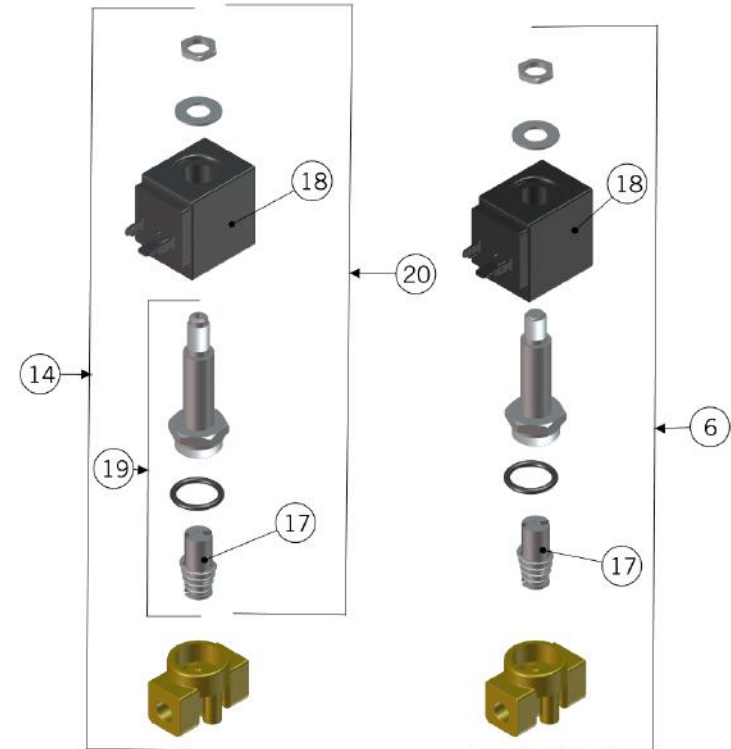
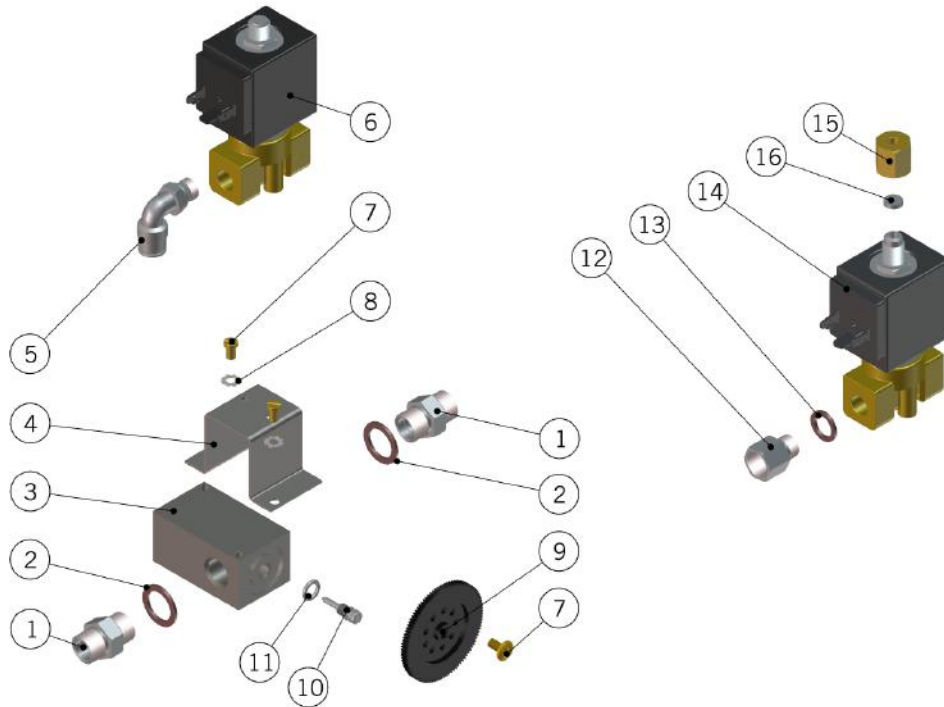


la marzocco
handmade in florence

HYDRAULIC ASSEMBLY - MP

Impianto Idraulico	1	T.2.119.01	PADDLE INLET WATER TUBE TREAT.	TUBO ACQUA INGRESSO PADDLE TRATT.
	2	L307	50CM S/S BRAIDED HOSE GS3 - H12	TUBO FLEX INOX GS3 G3/8F 55CM - H12
Item	Part number/Codice	Description		Descrizione

FITTING AND VALVES





la marzocco

handmade in florence

FITTING AND VALVES

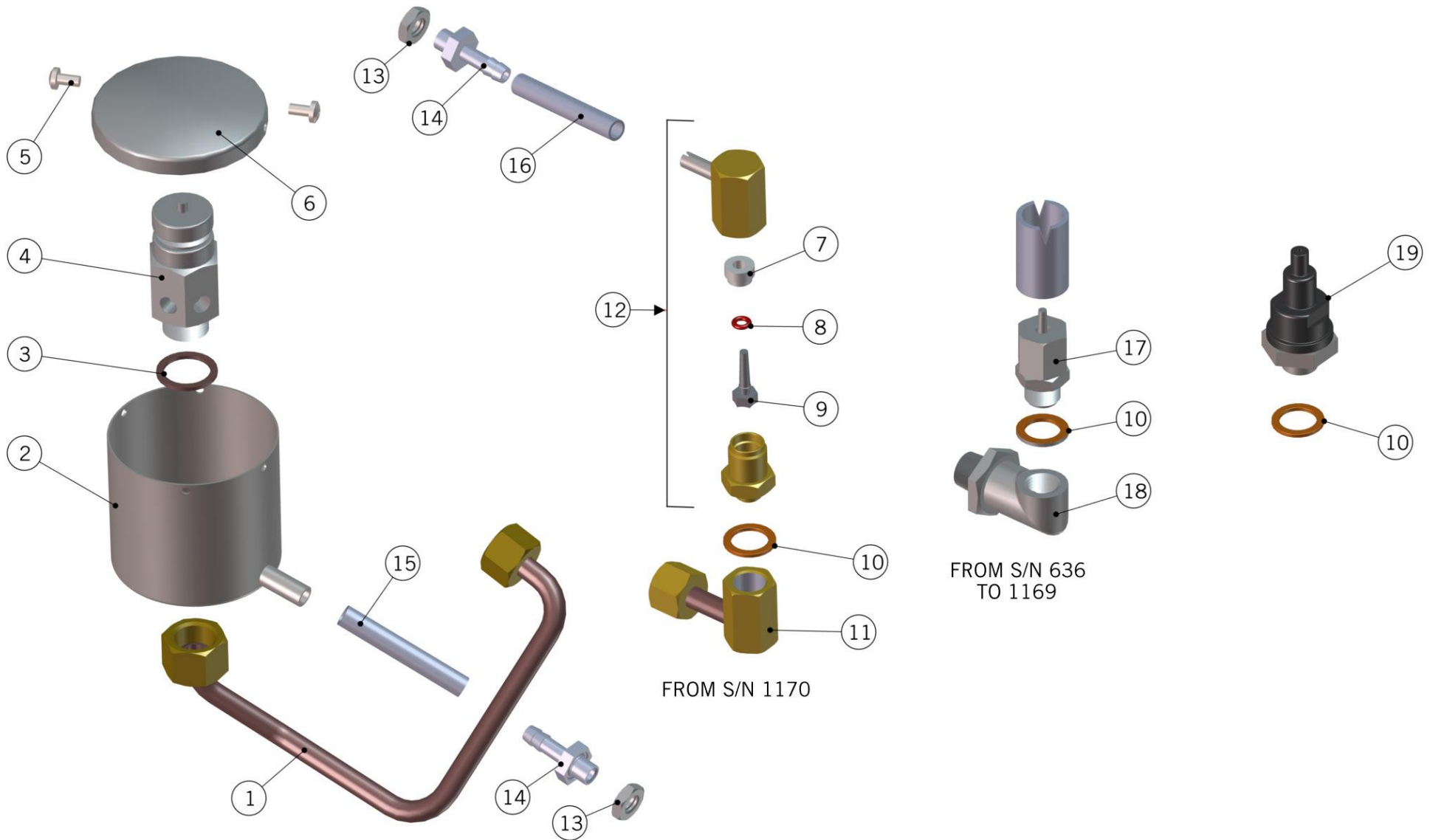
Raccordi e Valvole

1	B.2.027	CHECK VALVE H27,5	VALVOLA NON RITORNO H27,5
2	L100/1A	WASHER 13,5X19X1,5 COPPER	RONDELLA 13,5X19X1,5 RAME
3	B.2.007.01	MIXING VALVE BODY TREATED	CORPO VALVOLA MISCELATRICE TRATTATA
4	C.1.050	BRACKET SOLENOID VALVE GS3	STAFFA ELETTROVALVOLA GS3
5	A.2.101.02	FITTING PUSH-IN 90° 1/4"-G1/8M PPSU	RACCORDO RAPIDO 90° 1/4"-G1/8M PPSU
6	L053.02	SOLENOID VALVE 2 WAY 220/240V	ELETTROVALVOLA 2 VIE 220/240V
	L053/110.01	SOLENOID VALVE 2 WAY 110V	ELETTROVALVOLA 2 VIE 110V
	L053/200.01	SOLENOID VALVE 2 WAY 200V	ELETTROVALVOLA 2 VIE 200V
7	VITE4X6	SCREW M4X6 CHEESE BRASS	VITE M4X6 TC A TAGLIO OTTONE
8	ROND_DENT_4	TOOTH LOCK WASHER 4X8X1 GALVANIZED	ROND.DENTATA 4X8X1 ZINCATA
9	F.1.016	THERMOSTATIC VALVE ADJUSTMENT KNOB	GHIERA REGOLAZIONE VALVOLA TERMOSTATICA
10	F.3.008	THERMOSTATIC VALVE PIN	SPINA X VALV. TERMOSTATICA
11	H.1.007	O-RING 1.78X2.9 FKM 74 SH	O-RING 1.78X2.9 FKM 74 SH
12	L100/C.01	FITTING G1/8F - G1/8M WR14 BRASS TREATED	RACCORDO G1/8F - G1/8M CH14 OTTONE TR.
13	L100/D	WASHER 10X14X1,5 COPPER	RONDELLA 10X14X1,5 RAME
14	L100/E.02	SOLENOID VALVE 3 WAY 220/240V	ELETTROVALVOLA 3 VIE 220/240V
	L100/E110.01	SOLENOID VALVE 3 WAY 110V	ELETTROVALVOLA 3 VIE 110V
	L100/E200.01	SOLENOID VALVE 3 WAY 200V	ELETTROVALVOLA 3 VIE 200V
15	L134	FITTING G1/8F H14 WR14 D4 BRASS	RACCORDO G1/8F H14 CH14 D4 OTTONE
16	L134/4	FERRULE BLIND 8X4 TREATED	GHIANDINA CIECA 8X4 TRATTATO
17	L100/H	3-WAY SOLENOID VALVE VITON PLUNGER	NUCLEO MOBILE X EV.3 VIE VITON
18	L100/G.01	SV COIL 220-240V 8W UL CSA VDE	BOBINA EV 220-240V 8W UL CSA VDE
	L100/G110	SOLENOID COIL 110V	BOBINA PER ELETTROVALVOLA V110
	L100/G200	SOLENOID COIL 200V	BOBINA PER ELETTROVALVOLA 200V
19	B.2.006.02	SOLENOID VALVE 3 WAY NO COIL	ELETTROVALVOLA 3 VIE SENZA BOBINA
20	B.2.005.02	SOLENOID VALVE 3 WAY 110V NO MANIFOLD	ELETTROVALVOLA 3 VIE 110V SENZA CORPO
Item	Part number/Codice	Description	Descrizione



la marzocco
handmade in florence

FITTING AND VALVES





la marzocco

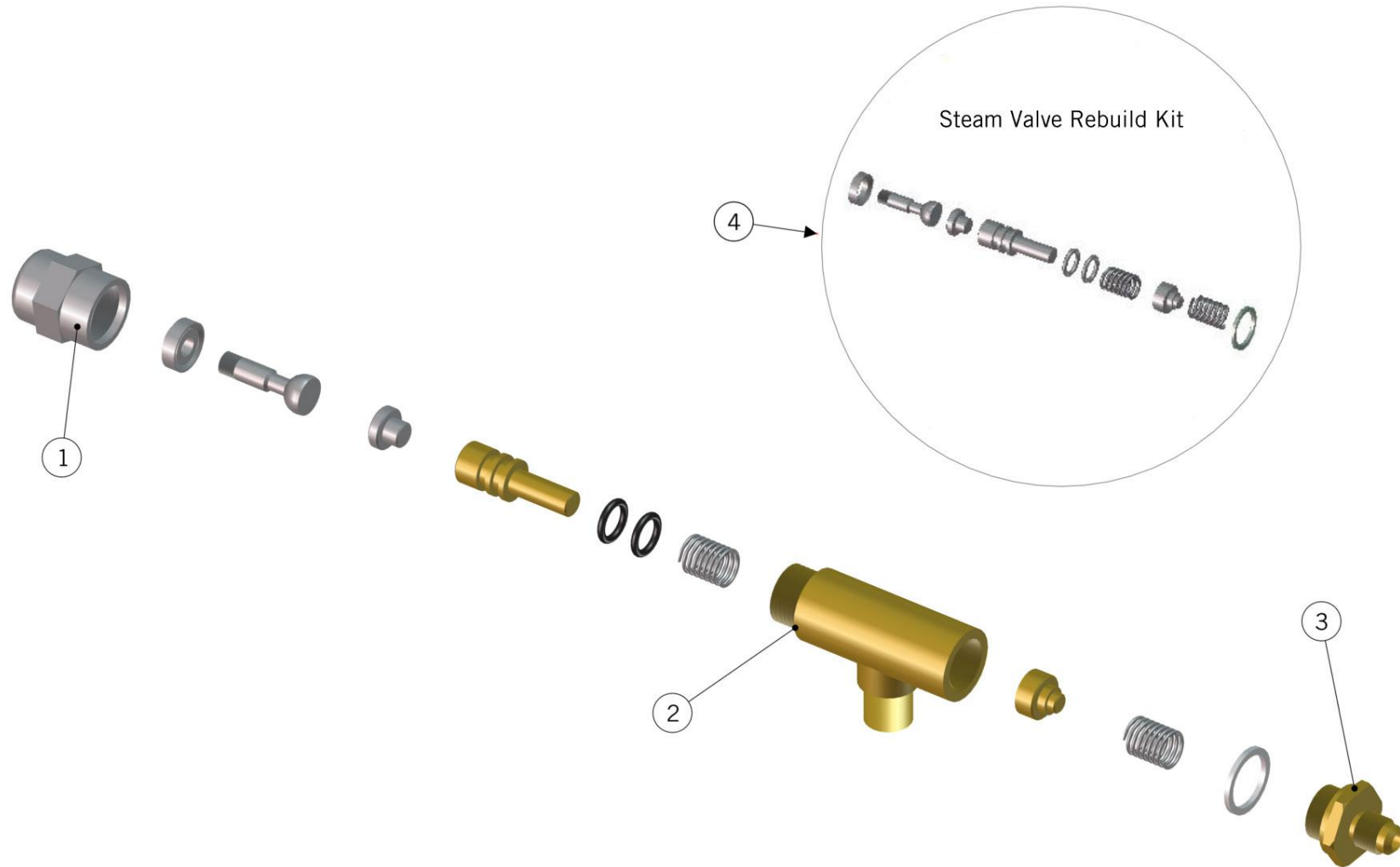
handmade in florence

FITTING AND VALVES

Raccordi e Valvole

1	T.2.117	TUBE STEAM BOILER - SAFETY VALVE GS3	TUBO C.VAPORE - V. SICUREZZA GS3
2	F.1.018.01	CUP SAFETY VALVE W/DRAIN TUBE	BICCHIERE VALVOLA SICUREZZA C/TUBO
3	L180/1	WASHER 22X17X1,5 COPPER	RONDELLA 17X22X1,5 RAME
4	B.2.025	SAFETY VALVE G3/8 2,5 BAR TEA	VALVOLA DI SICUREZZA G3/8 2,5 BAR TEA
5	I.1.006	SCREW M4X8 PHILLIPS BUTTON HEAD S/S A2	VITE M4X8 TPB A CROCE INOX A2
6	F.1.019	SAFETY VALVE PROTECTION CUP COVER	COPERCHIO BICCHIERE VALV. SICUREZZA
7	B.3.001	PTFE ANTI-SUCTION VALVE SEAL	PASTIGLIA TEFLON X VALV. ANTI
8	F.2.019	O-RING 1,78X3,68 SILICONE 70 SH	O-RING 1,78X3,68 SILICONE 70 SH
9	B.2.013.01	ANTI-SUCTION VALVE SHAFT TREATED	ALBERINO V. ANTIRISUCCHIO TRATTATA
10	L100/1A	WASHER 13,5X19X1,5 COPPER	RONDELLA 13,5X19X1,5 RAME
11	A.2.017	FITTING ANTI-DEPRESSION V. STEAM B.	RACC. V. ANTIDEPRESSIONE C.VAPORE
12	L193.02	DISCONTINUED	
13	L292/R	NUT G1/8 H4,5 WR14 BRASS NICKEL PLATED	DADO G1/8 H4,5 CH14 OT.NICH.(PORTAGOMMA)
14	L292	GS/3 TUBE FITTING	PORTAGOMMA GS/3
15	T.3.004	PVC HOSE SAFETY VALV GS/3	TUBO PVC DA VALV SIC GS/3
16	T.4.001	ANTISUCTION VALVE SILICONE TUBE	TUBO SILICONE 5X8 V. ANTIRISUCCHIO
17	L190	VACUUM BREAKER VALVE	VALVOLA DECOMPRESSIONE 1/4GAS
18	A.2.010	ELBOW FITTING G1/4F-G1/4M WR24 BRASS	RACCORDO A GOMITO G1/4F-G1/4M CH24 OTT.
19	B.2.029	VALVE VACUUM BREAKER SMA G1/4 S/S	VALVOLA ANTIDEPRESSIONE SMA G1/4 INOX
Item	Part number/Codice	Description	Descrizione

STEAM VALVE ASSEMBLY





la marzocco

handmade in florence

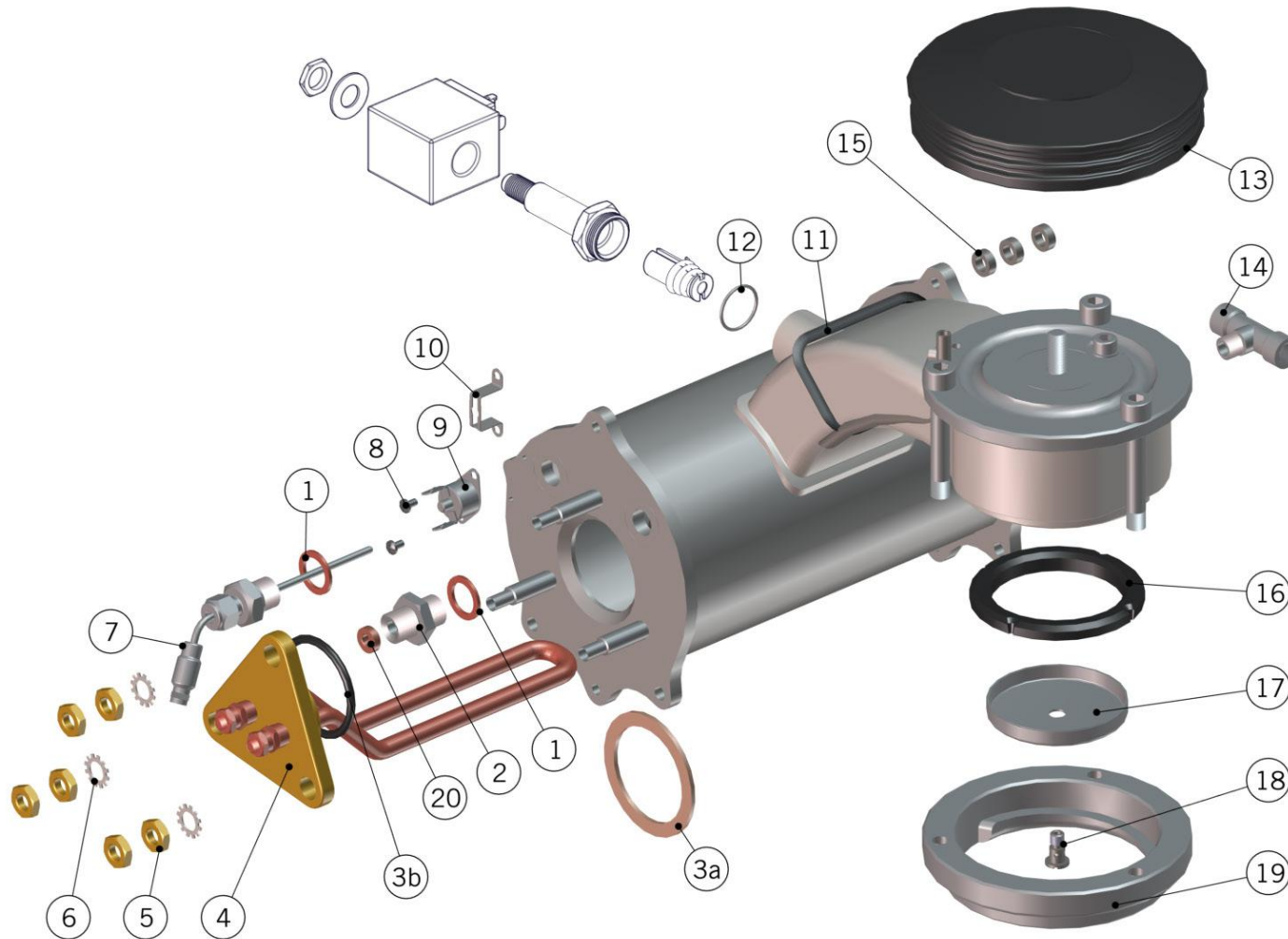
STEAM VALVE ASSEMBLY

Rubinetto Vapore	1	B.1.004/1	GS3 STEAM VALVE CAP	CAPPUCCIO RUBINETTO VAPORE GS3
	2	B.1.004/8.01	GS3 STEAM VALVE BODY RP	CORPO RUBINETTO VAPORE GS3 RP
	3	B.1.004/11.01	INLET FITTING GS3 STEAM VALVE RP	RACCORDO INGRESSO RUB. VAP. GS3 RP
	4	B.1.004.K	REBUILD KIT STEAM VALVE GS3	KIT MANUTENZIONE RUBINETTO VAPORE GS3
	Item	Part number/Codice		Description



la marzocco
handmade in florence

COFFEE BOILER ASSEMBLY - AV





la marzocco

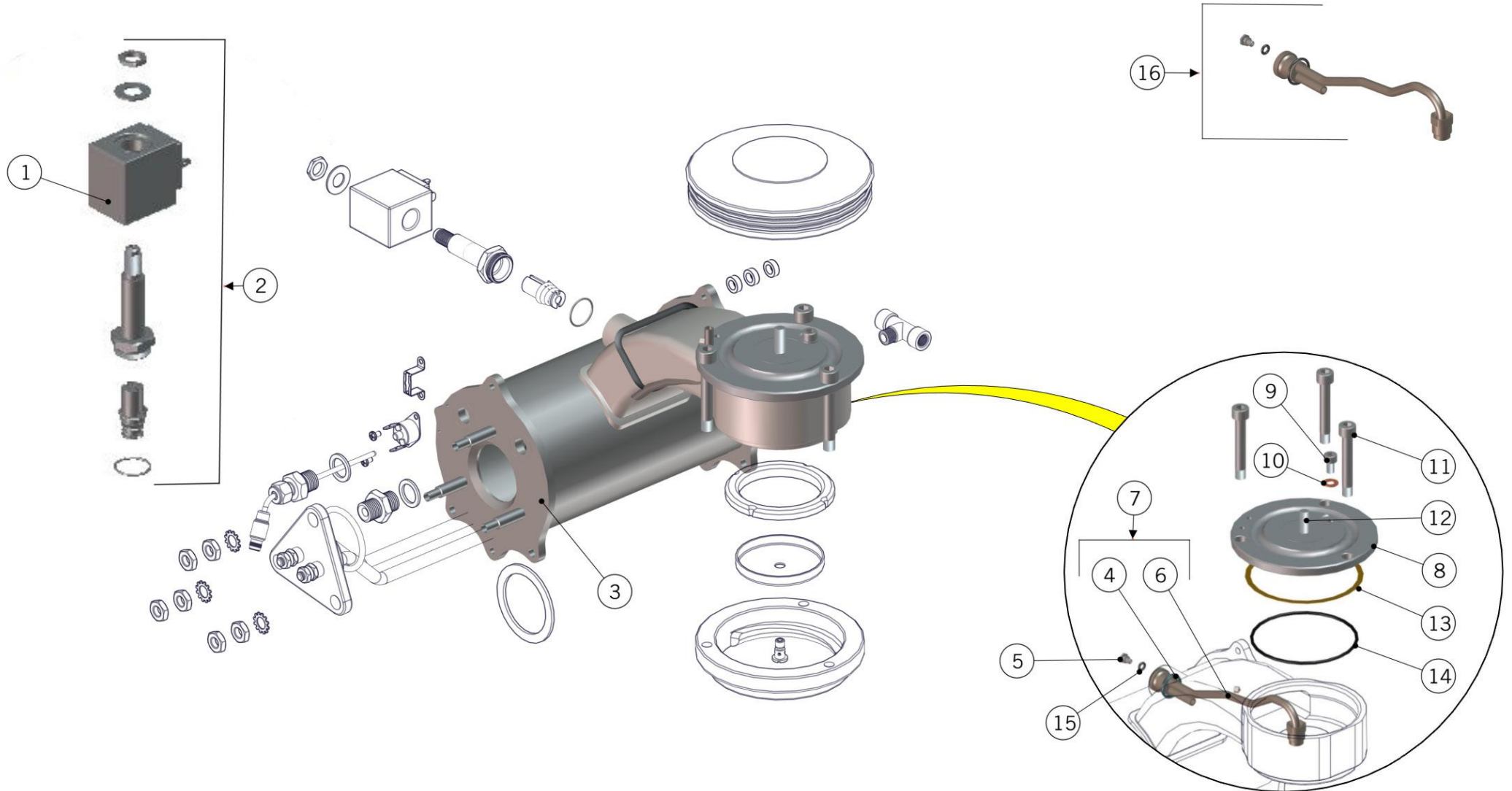
handmade in florence

COFFEE BOILER ASSEMBLY - AV

Caldaia Caffè

1	L100/1A	WASHER 13,5X19X1,5 COPPER	RONDELLA 13,5X19X1,5 RAME
2	L037/3.01	NIPPLE G1/4M-G1/4M WR19 H25.5 BRASS TR.	NIPPLIO G1/4M-G1/4M CH19 H25.5 OT. TR.
3a	LR360/1	GS/3 HEATER ELEMENT PINK UNIFLON GASKET	GUARNIZIONE PIANA 53X40X2
3b	F.2.014.01	O-RING 3,53X37,69 FKM 70 SH GREEN	O-RING 3,53X37,69 FKM 70 SH VERDE
4	E.6.002.02	HEATING ELEMENT W500 V110 TRIANG.FL. RP	RES. EL. W500 V110 FL. TRIANG. RP
	E.6.004.02	HEATING ELEMENT W800 V220 TRIANG.FL. RP	RES. EL. W800 V220 FL. TRIANG. RP
	E.6.006.02	HEATING ELEMENT W500 V200 TRIANG.FL. RP	RES. EL. W500 V200 FL. TRIANG. RP
	E.6.016	HEATING ELEMENT W800 V240 TRIANG.FL. RP	RES. EL. W800 V240 FL. TRIANG. RP
5	I.1.025	NUT M8 H5 WR13 BRASS	DADO BASSO M8 H5 CH13 (UNI5589) OTTONE
6	ROND_DENT_8	TOOTH LOCK WASHER 8X14,7X2 S/S A2	ROND.DENTATA 8,5X14,7X2 INOX A2
7	E.1.005	PT1000 TEMPERATURE PROBE	SONDA DI TEMPERATURA PT1000
8	VITE3X4	SCREW M3X4 CHEESE BRASS	VITE M3X4 TC A TAGLIO OTTONE
9	L276.01	SAFETY THERMOSTAT 1P TRIP FREE 130C 250V	TERMOSTATO UNIPOL. TRIP FREE 130C 250V
10	F.9.002	BRACKET SAFETY THERMOSTAT CAMPINI TY60	STAFFA TERMOSTATO CAMPINI TY60
11	F.2.013	GS3 GROUP NECK SILICONE GASKET	GUARNIZIONE SILICONE COLLO GRUPPO GS3
12	H.1.022	O-RING 1,78X15,60 VITON 70 SH	O-RING 1,78X15,60 VITON 70 SH
13	F.1.012	EXPOSED GROUP COVER GS3 AV	COPERTURA GRUPPO ESPOSTO GS3 AV
14	A.2.012.01	TEE FITTING G1/8M-G1/8F WR10 BRASS TR.	RACCORDO A T G1/8M-G1/8F-G1/8F CH10 TR.
15	I.3.005	SPACER 6,5X11X4 BRASS	DISTANZIALE 6,5X11X4 OTTONE
16	H.3.002	GROUP GASKET NBR 72/63x55x9	GUARNIZIONE SOTTOCOPPA NBR 72/63x55x9
	H.3.004	GROUP GASKET	GUARNIZIONE SOTTOCOPPA
	H.3.007	GROUP GASKET SILICONE 71,6/55x8,2	GUARNIZ. SOTTOCOPPA SILICONE 71,6/55x8,2
17	F.3.040.01	COFFEE SHOWER SCREEN W/LOGO H6.5	DOCCETTA RINFORZATA C/LOGO H6.5
18	A.5.110	DIFFUSER SCREW M6 Ø10 S/S	VITE DIFFUSORE M6 Ø10 INOX
19	L109.01	BAYONET RING	ANELLO CROMATO
20	L137/3	FERRULE 3,5X11X5 T5	GHIANDINA 3,5X11X5 T5
Item	Part number/Codice	Description	Descrizione

COFFEE BOILER ASSEMBLY - AV





la marzocco

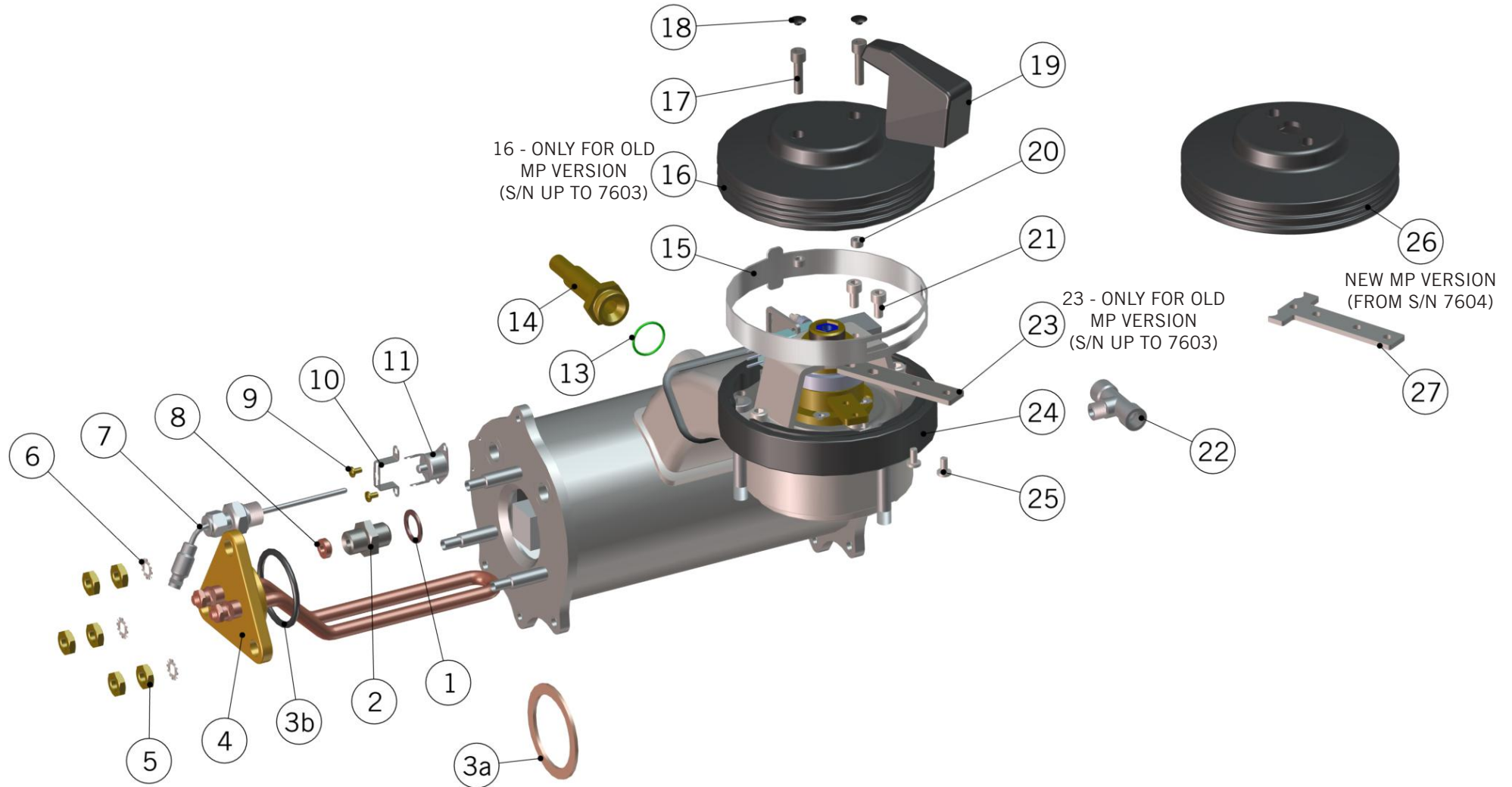
handmade in florence

COFFEE BOILER ASSEMBLY - AV

Caldaia Caffè

1	L100/G.01	SV COIL 220-240V 8W UL CSA VDE	BOBINA EV 220-240V 8W UL CSA VDE
	L100/G110	SOLENOID COIL 110V	BOBINA PER ELETTROVALVOLA V110
	L100/G200	SOLENOID COIL 200V	BOBINA PER ELETTROVALVOLA 200V
2	B.2.005.02	SOLENOID VALVE 3 WAY 110V NO MANIFOLD	ELETTROVALVOLA 3 VIE 110V SENZA CORPO
3	L.1.001.01.R	COFFEE BOILER FLAT SIDE 1GR	CALDAIA CAFFE' FOND. PIATTI 1GR
4	H.1.009	O-RING 1,78X15,60 VITON 75 SH	O-RING 1,78X15,60 VITON 75 SH
5	F.3.052.R	EXTRACTABLE GICLEUR W/ ORING	GICLEUR REMOVIBILE CON ORING
	F.3.060.R	GICLEUR REMOVABLE 0,7 W/ ORING	GICLEUR RIMOVIBILE 0,7 CON ORING
	F.3.061.R	GICLEUR REMOVABLE 0,8 W/ ORING	GICLEUR RIMOVIBILE 0,8 CON ORING
6	T.1.186	TUBO INTERNO GRUPPO GIGLEUR ESTRAIBILE	TUBO INTERNO GRUPPO GIGLEUR ESTRAIBILE
7	T.1.186.R	KIT TUBO INTERNO GR GIGLEUR ESTRAIBILE	KIT TUBO INTERNO GR GIGLEUR ESTRAIBILE
8	A.5.028	GROUP CAP S/S GS3 AV	GROUP CAP INOX GS3 AV
9	L120/2	SCREW M6X10 SOCKET CAP S/S A2	VITE M6X10 TC A BRUGOLA INOX A2
10	L120/2A	WASHER 6,3X12X1 COPPER	RONDELLA 6,3X12X1 RAME
11	L110.01	SCREW M8X52 SOCKET CAP S/S A2 70	VITE M8X52 TC A BRUGOLA INOX A2 70
12	L1001/A	SOCKET GRUB SCREW M8X18 S/S A2	GRANO M8X18 INOX A2
13	L103/B	FIBER GASKET 87X81X0,5	GUARNIZ. PIANA 87X81X0.5 NOVUS
14	L103/A	O-RING 2,62X75,87 VITON 70 ShA FDA	O-RING 2,62X75,87 VITON 70 ShA FDA
15	H.1.007	O-RING 1.78X2.9 FKM 74 SH	O-RING 1.78X2.9 FKM 74 SH
16	933	RETROFIT KIT GICLEUR 0.6 REMOV. W/O-RING	RETROFIT KIT GICLEUR 0.6 RIMOV. C/O-RING
Item	Part number/Codice	Description	Descrizione

COFFEE BOILER ASSEMBLY - MP





la marzocco

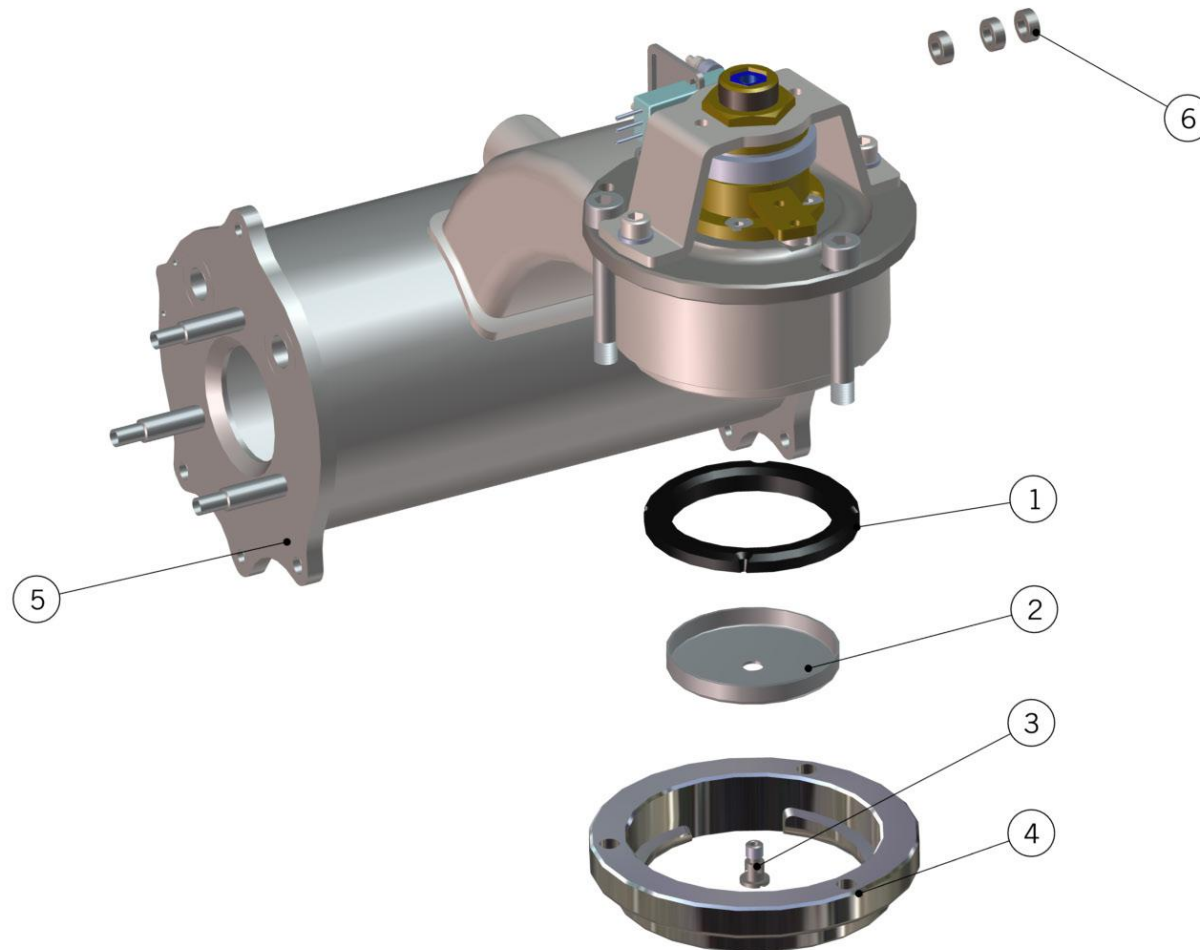
handmade in florence

COFFEE BOILER ASSEMBLY - MP

Caldaia Caffè

1	L100/1A	WASHER 13,5X19X1,5 COPPER	RONDELLA 13,5X19X1,5 RAME
2	L037/3.01	NIPPLE G1/4M-G1/4M WR19 H25.5 BRASS TR.	NIPPLO G1/4M-G1/4M CH19 H25.5 OT. TR.
3a	LR360/1	GS/3 HEATER ELEMENT PINK UNIFLON GASKET	GUARNIZIONE PIANA 53X40X2
3b	F.2.014.01	O-RING 3,53X37,69 FKM 70 SH GREEN	O-RING 3,53X37,69 FKM 70 SH VERDE
4	E.6.002.02	HEATING ELEMENT W500 V110 TRIANG.FL. RP	RES. EL. W500 V110 FL. TRIANG. RP
	E.6.004.02	HEATING ELEMENT W800 V220 TRIANG.FL. RP	RES. EL. W800 V220 FL. TRIANG. RP
	E.6.006.02	HEATING ELEMENT W500 V200 TRIANG.FL. RP	RES. EL. W500 V200 FL. TRIANG. RP
	E.6.016	HEATING ELEMENT W800 V240 TRIANG.FL. RP	RES. EL. W800 V240 FL. TRIANG. RP
5	I.1.025	NUT M8 H5 WR13 BRASS	DADO BASSO M8 H5 CH13 (UNI5589) OTTONE
6	ROND_DENT_8	TOOTH LOCK WASHER 8X14,7X2 S/S A2	ROND.DENTATA 8,5X14,7X2 INOX A2
7	E.1.005	PT1000 TEMPERATURE PROBE	SONDA DI TEMPERATURA PT1000
8	L137/3	FERRULE 3,5X11X5 T5	GHIANDINA 3,5X11X5 T5
9	VITE3X4	SCREW M3X4 CHEESE BRASS	VITE M3X4 TC A TAGLIO OTTONE
10	F.9.002	BRACKET SAFETY THERMOSTAT CAMPINI TY60	STAFFA TERMOSTATO CAMPINI TY60
11	L276	SAFETY THERMOSTAT 1P 130C 250V	TERMOSTATO UNIPOL. 130C 250V
12	F.2.013	GS3 GROUP NECK SILICONE GASKET	GUARNIZIONE SILICONE COLLO GRUPPO GS3
13	H.1.022	O-RING 1,78X15,60 VITON 70 SH	O-RING 1,78X15,60 VITON 70 SH
14	B.2.017	DRAIN FITTING GS3 MP BOILER	RACCORDO PER SCARICO MP PER CALDAIA GS3
15	C.1.068.02	RING W/SLOT EXPOSED GROUP	ANELLO C/FERITOIA GRUPPO ESPOSTO
16	F.1.020	EXPOSED GROUP COVER	COPERTURA GRUPPO ESPOSTO
17	I.1.028	SCREW M5X20 SOCKET CAP S/S	VITE M5X20 TC A BRUGOLA INOX
18	F.1.022	CAP D9 FOR SOCKET HEAD M5 ES4 LDPE BLACK	TAPPO D9 PER BRUGOLA M5 ES4 LDPE NERO
19	C.2.020	HANDLE PADDLE LINEA	MANIGLIA PADDLE LINEA
20	I.1.029	SPACER 4X6X4 S/S	DISTANZIALE 4X6X4 INOX
21	I.1.005	SCREW M5X10 SOCKET CAP S/S A2	VITE M5X10 TC A BRUGOLA INOX A2
22	A.2.012.01	TEE FITTING G1/8M-G1/8F WR10 BRASS TR.	RACCORDO A T G1/8M-G1/8F-G1/8F CH10 TR.
23	C.1.125.01	EXTENSION LEVER GROUP EP	ESTENSIONE LEVA GRUPPO EP
24	F.1.021	EXPOSED GROUP COVER RING GS3 MP	ANELLO COPERTURA GRUPPO ESPOSTO GS3 MP
25	I.1.006	SCREW M4X8 PHILLIPS BUTTON HEAD S/S A2	VITE M4X8 TPB A CROCE INOX A2
26	F.1.079	EXPOSED GROUP COVER W/PRESSURE GAUGE GS3	COPERTURA GRUPPO ESPOSTO C/MANOMETRO GS3
27	C.1.336	EXTENSION LEVER PUDDLE CONICAL GS3	ESTENSIONE LEVA PADDLE CONICO GS3
Item	Part number/Codice	Description	Descrizione

COFFEE BOILER ASSEMBLY - MP





la marzocco

handmade in florence

COFFEE BOILER ASSEMBLY - MP

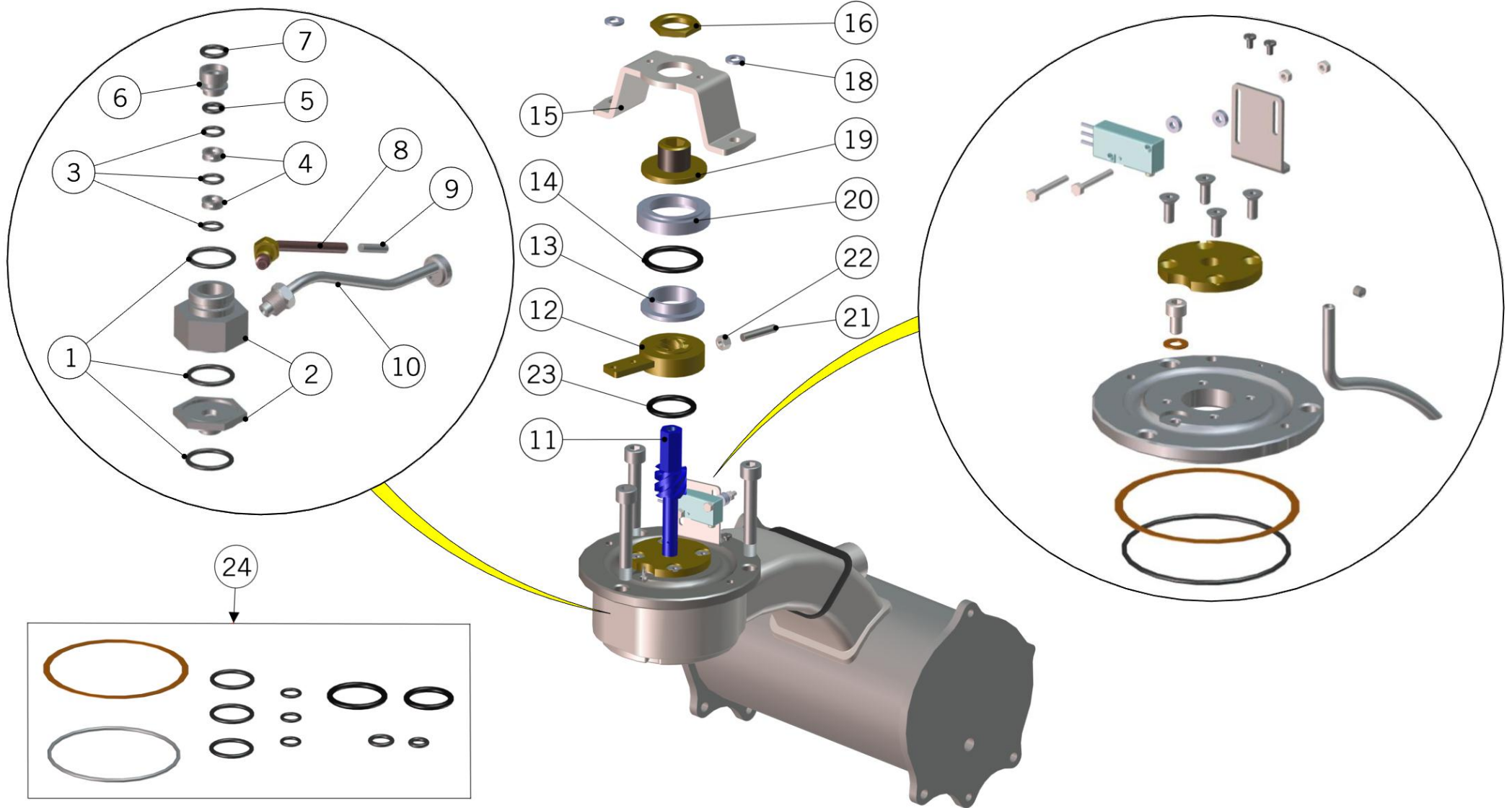
Caldaia Caffè

1	H.3.002	GROUP GASKET NBR 72/63x55x9	GUARNIZIONE SOTTOCOPPA NBR 72/63x55x9
	H.3.004	GROUP GASKET	GUARNIZIONE SOTTOCOPPA
	H.3.007	GROUP GASKET SILICONE 71,6/55x8,2	GUARNIZ. SOTTOCOPPA SILICONE 71,6/55x8,2
2	F.3.040.01	COFFEE SHOWER SCREEN W/LOGO H6.5	DOCCETTA RINFORZATA C/LOGO H6.5
3	A.5.110	DIFFUSER SCREW M6 Ø10 S/S	VITE DIFFUSORE M6 Ø10 INOX
4	L109.01	BAYONET RING	ANELLO CROMATO
5	L.1.001.01.R	COFFEE BOILER FLAT SIDE 1GR	CALDAIA CAFFE' FOND. PIATTI 1GR
6	I.3.005	SPACER 6,5X11X4 BRASS	DISTANZIALE 6,5X11X4 OTTONE
Item	Part number/Codice	Description	Descrizione



la marzocco
handmade in florence

MECHANICAL PADDLE ASSEMBLY - OLD MP



**la marzocco**

handmade in florence

MECHANICAL PADDLE ASSEMBLY - OLD MP

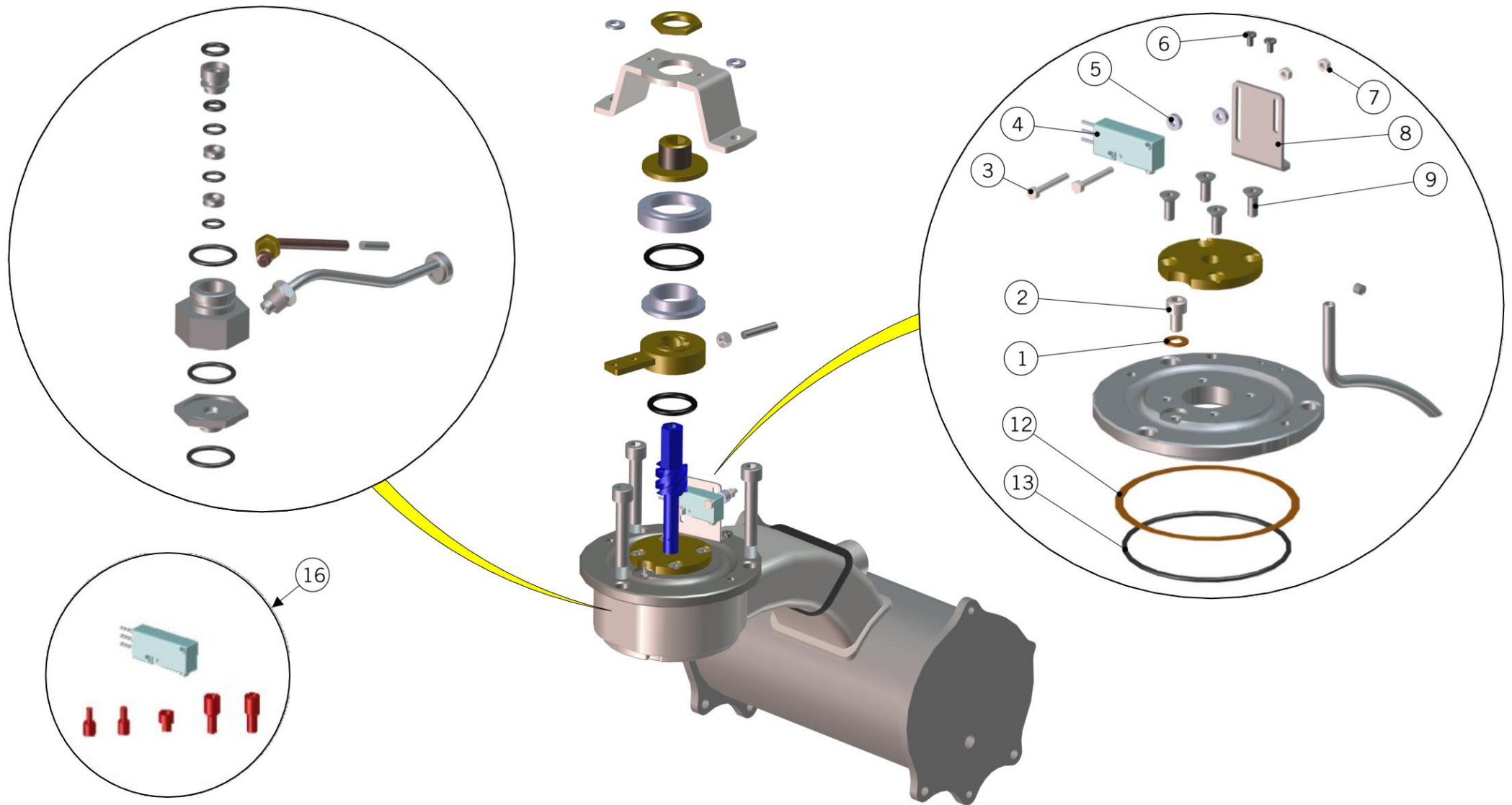
Paddle

1	H.1.010.01	O-RING 2,62X21,89 EPDM 70 SH	O-RING 2,62X21,89 EPDM 70 SH
2	B.2.012.R	PADDLE VALVE BODY + ADAPTOR	CORPO VALV. PADDLE + ADATTATORE
3	H.1.011.01	O-RING 1,78X9,25 EPDM 70 SH	O-RING 1,78X9,25 EPDM 70 SH
4	B.2.014.03	SPACER 9,3X12X4 S/S	DISTANZIALE 9,3X12X4 INOX
5	H.1.019	O-RING 2,62X10,77 EPDM 70 SH	PREMISTOPPA PADDLE AISI304L ELETTROLUC.
6	B.2.015.03	PADDLE GLAND AISI304L ELECT.POL.	O-RING 2,62X10,77 EPDM 70 SH
7	H.1.018	ORING 109 (2-110) EPDM 70 SHA	OR 109 - (2-110) IN EPDM - 70SHA
8	T.1.101.01	TUBE WATER INLET MP VALVE	TUBO CARICO ACQUA VALVOLA MP
9	F.2.003	GICLEUR 0,6 M5 RUBY + S/S	GICLEUR 0,6 M5 RUBINO + INOX
	F.2.003.08	GICLEUR 0,8 M5 RUBY AND S/S	GICLEUR 0,8 M5 RUBINO E INOX
10	TL30/P.01	INTERNAL TUBE GS3 MP GROUP TEA	TUBO INTERNO GRUPPO GS3 MP TEA
11	A.5.003	SHAFT FOR PADDLE	ALBERINO PADDLE
12	A.1.010	WORM NUT SCREW MP VALVE	MADREVITE SENZA FINE VALVOLA MP
13	F.4.009	PADDLE VALVE TEFLON RING D39	ANELLO TEFLON VALVOLA PADDLE D39
14	H.1.016	O-RING 3,53X29,74 NBR 70 SH	O-RING 3,53X29,74 NBR 70 SH
15	F.3.020	BRACKET GROUP MP	CAVALLOTTO GRUPPO MP
16	A.4.003	NUT M20 H6,5 WR27 BRASS	DADO M20 H6,5 CH27 OTTONE
17	L120/2	SCREW M6X10 SOCKET CAP S/S A2	VITE M6X10 TC A BRUGOLA INOX A2
18	RONDELLA6X12	WASHER 6,4X12X1,5 S/S A2	RONDELLA 6,4X12X1,5 INOX A2
19	A.1.014	BRONZE WASHER HEX PADDLE	ROND BRONZO GUIDA ES. PADDLE
20	F.4.008	PADDLE VALVE TEFLON RING D45	ANELLO TEFLON VALVOLA PADDLE D45
21	A.5.005	PIN D5X23 THREAD M5X7,5 S/S	PERNO D5X23 FILETT. M5X7,5 INOX
22	DADO5M_INOX	NUT M5 H4 WR8 S/S A2	DADO M5 H4 CH8 INOX A2
23	F.4.010	O-RING 3,53X23,42 PTFE	O-RING 3,53X23,42 PTFE
24	SA600.01.K	REBUILD KIT PADDLE	KIT MANUTENZIONE PADDLE
Item	Part number/Codice	Description	Descrizione



la marzocco
handmade in florence

MECHANICAL PADDLE ASSEMBLY - OLD MP





la marzocco

handmade in florence

MECHANICAL PADDLE ASSEMBLY - OLD MP

Paddle	1	L120/2A	WASHER 6,3X12X1 COPPER	RONDELLA 6,3X12X1 RAME
	2	L120/2	SCREW M6X10 SOCKET CAP S/S A2	VITE M6X10 TC A BRUGOLA INOX A2
	3	I.1.055	SCREW M3X20 HEX HEAD S/S A2	VITE M3X20 TE INOX A2
	4	E.2.039	MICROSWITCH KIT WITH LUGS	KIT MICROINTERRUPTORE C/CAPICORDA
	5	I.3.004	SPACER 3,5X8X2,5 AL	DISTANZIALE 3,5X8X2,5 ALLUMINIO
	6	VITE3X8	SCREW M3X8 PHILLIPS ROUND-PAN S/S A2	VITE M3X8 TCB A CROCE INOX A2
	7	DADO3M	NUT M3 H3 WR5,5 BRASS	DADO M3 H3 CH5,5 OTTONE
	8	C.1.067	BRACKET MICROSWITCH GS3	SUPPORTO MICROINTERRUPTORE GS3
	9	VITE5X10	SCREW M5X10 SOCKET COUNTERSUNK S/S A2	VITE M5X10 TS A BRUGOLA INOX A2
	10	A.1.015	BRASS WASHER FOR PADDLE	ROND OTT PREMICORPO VALVOLA PADDLE
	11	A.5.026	GROUP CAP S/S MP	GROUP CAP INOX MP
	12	L103/B	FIBER GASKET 87X81X0,5	GUARNIZ. PIANA 87X81X0.5 NOVUS
	13	L103/A	O-RING 2,62X75,87 VITON 70 ShA FDA	O-RING 2,62X75,87 VITON 70 ShA FDA
	14	I.1.016	SOCKET GRUB SCREW M5X5 S/S A2	GRANO M5X5 A BRUGOLA INOX A2
	15	T.2.120	S/S TUBE GS3 MP GROUP CABLES	TUBO INOX GS3 MP CAVI GRUPPO
	16	E.2.039	MICROSWITCH KIT WITH LUGS	KIT MICROINTERRUPTORE C/CAPICORDA
Item	Part number/Codice	Description		Descrizione

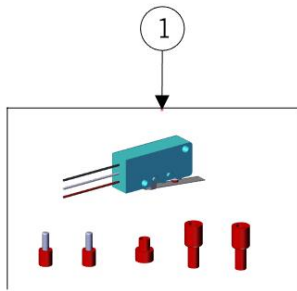
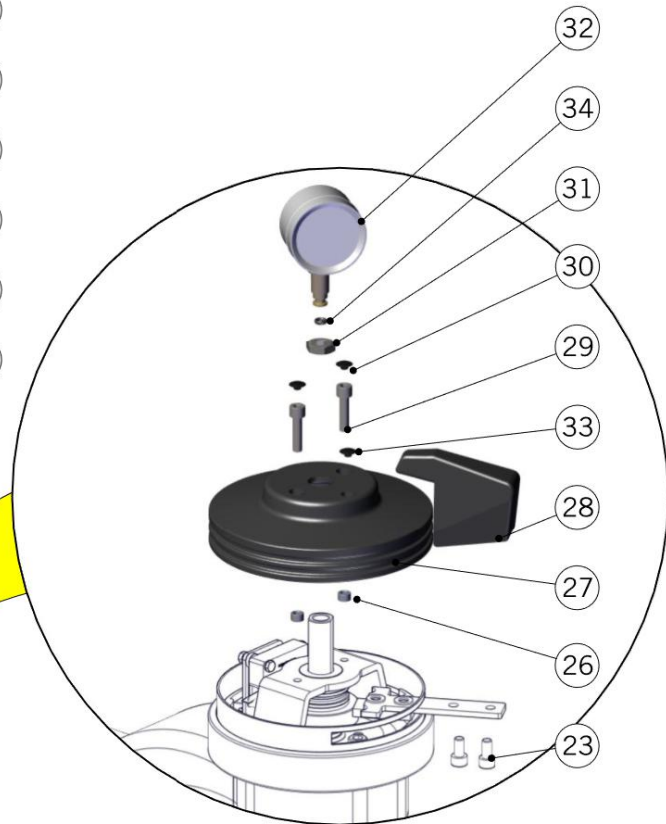
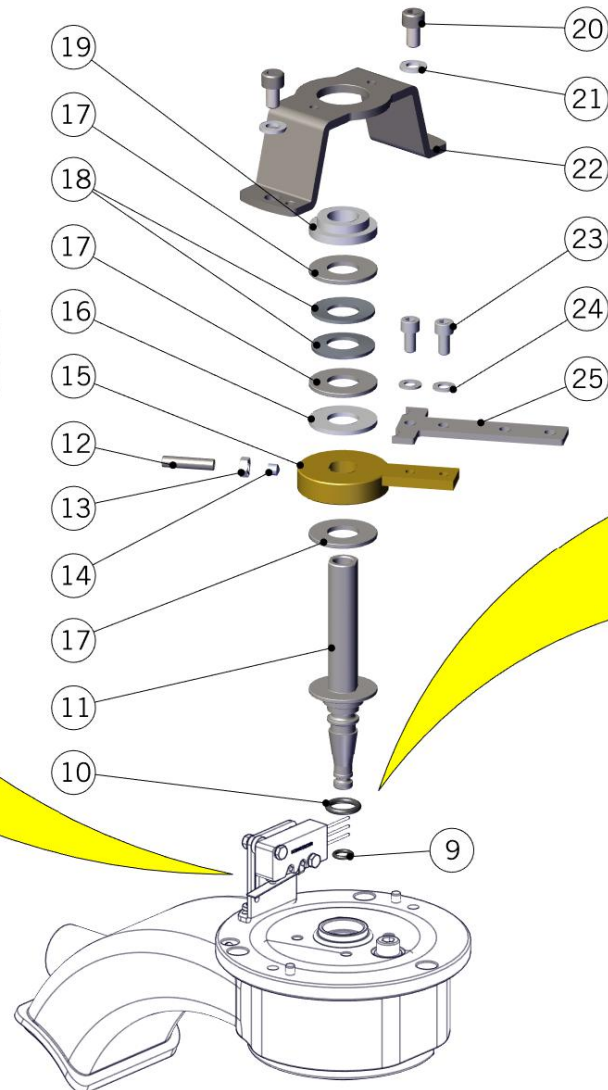
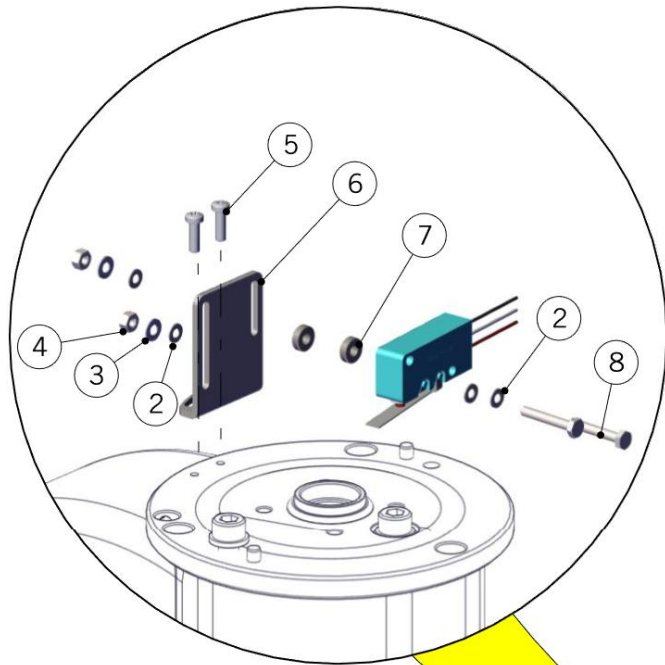


la marzocco

handmade in florence

MECHANICAL PADDLE ASSEMBLY - MP

ALL GS3 MP FROM
S/N 7604 HAVE THIS VALVE





la marzocco

handmade in florence

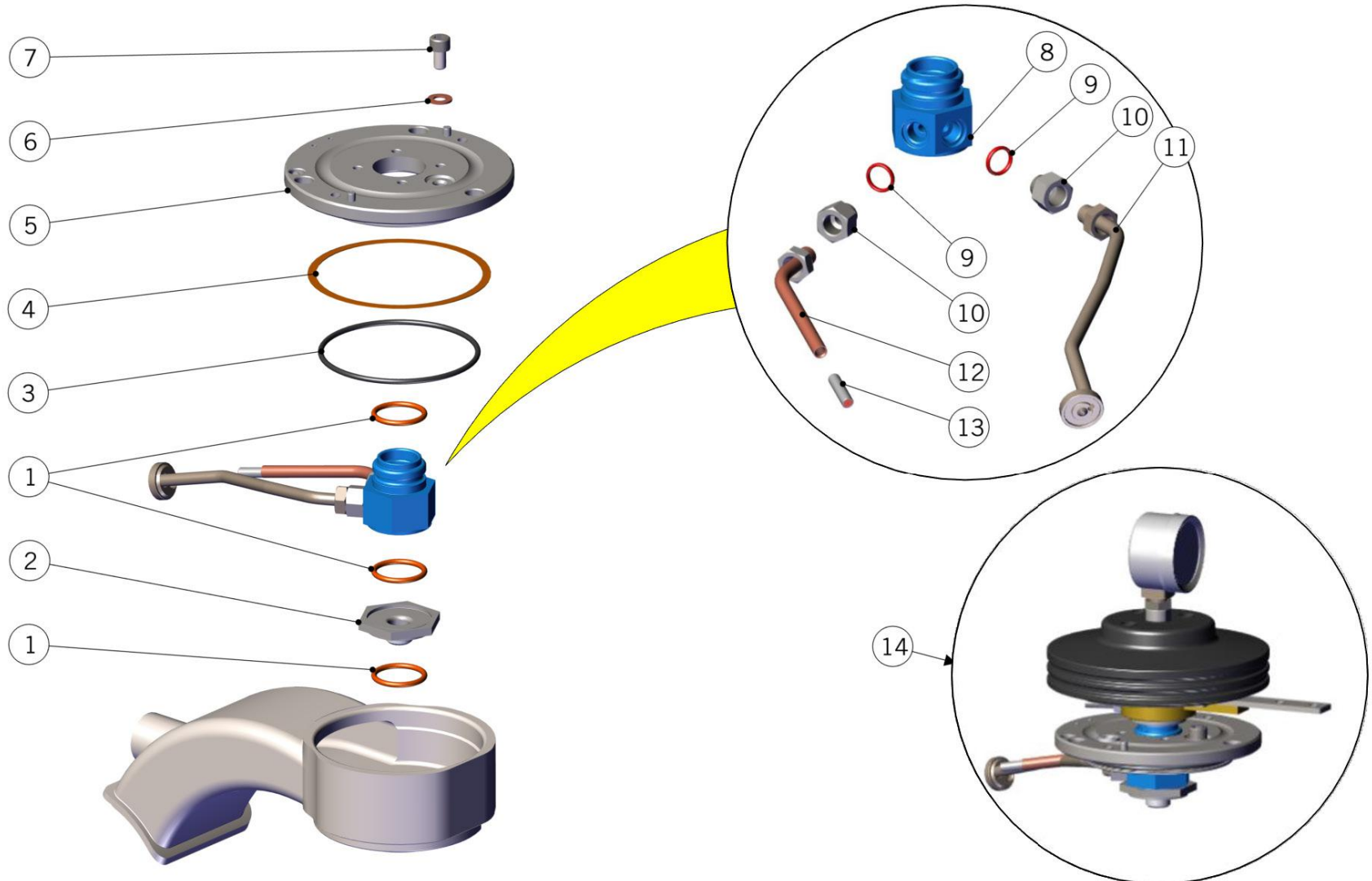
MECHANICAL PADDLE ASSEMBLY - MP

Paddle

1	E.2.039	MICROSWITCH KIT WITH LUGS	KIT MICROINTERRUTTORE C/CAPICORDA
2	RONDINOXGS/3	WASHER 3X6X0,5 S/S A2	RONDELLA 3X6X0,5 INOX A2
3	I.3.007	TOOTH LOCK WASHER 3,4X6X0,5 GALVANIZED	ROND.DENTATA 3,4X6X0,5 ZINCATA
4	DADO3M	NUT M3 H3 WR5,5 BRASS	DADO M3 H3 CH5,5 OTTONE
5	VITE3X10	SCREW M3X10 PHILLIPS ROUND-PAN S/S A2	VITE M3X10 TCB A CROCE INOX A2
6	C.1.067	BRACKET MICROSWITCH GS3	SUPPORTO MICROINTERRUTTORE GS3
7	I.3.004	SPACER 3,5X8X2,5 AL	DISTANZIALE 3,5X8X2,5 ALLUMINIO
8	I.1.055	SCREW M3X20 HEX HEAD S/S A2	VITE M3X20 TE INOX A2
9	H.1.006	O-RING 1,78x6,07 VITON	O-RING 1,78x6,07 VITON
10	H.1.018	ORING 109 (2-110) EPDM 70 SHA	OR 109 - (2-110) IN EPDM - 70SHA
11	A.5.055	SHAFT CONICAL PADDLE VALVE GS3	ALBERO VALVOLA PADDLE CONICO GS3
12	A.5.005	PIN D5X23 THREAD M5X7,5 S/S	PERNO D5X23 FILETT. M5X7,5 INOX
13	DADO5M_INOX	NUT M5 H4 WR8 S/S A2	DADO M5 H4 CH8 INOX A2
14	I.1.016	SOCKET GRUB SCREW M5X5 S/S A2	GRANO M5X5 A BRUGOLA INOX A2
15	F.8.005	LEVER CONICAL PADDLE VALVE	LEVA VALVOLA PADDLE CONICO
16	I.6.005	WASHER 14,1X30X2 PTFE	RONDELLA 14,1X30X2 PTFE
17	I.1.091	WASHER 14,2X30X2 S/S	RONDELLA 14,2X30X2 INOX
18	I.5.004	BELLEVILLE SPRING	MOLLA A TAZZA PADDLE CONICO 28X14,2X1,5
19	F.4.013	BUSHING FLANGED 14,4X23X7,8 PTFE	BOCCOLA FLANGIATA 14,4X23X7,8 PTFE
20	L120/2	SCREW M6X10 SOCKET CAP S/S A2	VITE M6X10 TC A BRUGOLA INOX A2
21	RONDELLA6X12	WASHER 6,4X12X1,5 S/S A2	RONDELLA 6,4X12X1,5 INOX A2
22	F.3.020	BRACKET GROUP MP	CAVALLOTTO GRUPPO MP
23	I.1.005	SCREW M5X10 SOCKET CAP S/S A2	VITE M5X10 TC A BRUGOLA INOX A2
24	I.1.039	WASHER 5,4X10X1 S/S A2	RONDELLA 5,4X10X1 INOX A2
25	C.1.336	EXTENSION LEVER PUDDLE CONICAL GS3	ESTENSIONE LEVA PADDLE CONICO GS3
26	I.1.029	SPACER 4X6X4 S/S	DISTANZIALE 4X6X4 INOX
27	F.1.079	EXPOSED GROUP COVER W/PRESSURE GAUGE GS3	COPERTURA GRUPPO ESPOSTO C/MANOMETRO GS3
28	C.2.020	HANDLE PADDLE LINEA	MANIGLIA PADDLE LINEA
29	I.1.028	SCREW M5X20 SOCKET CAP S/S	VITE M5X20 TC A BRUGOLA INOX
30	F.1.022	CAP D9 FOR SOCKET HEAD M5 ES4 LDPE BLACK	TAPPO D9 PER BRUGOLA M5 ES4 LDPE NERO
31	L292/R	NUT G1/8 H4,5 WR14 BRASS NICKEL PLATED	DADO G1/8 H4,5 CH14 OT.NICH.(PORTAGOMMA)
32	E.3.009.01	PRESSURE GAUGE 0-18 VERTICAL WHITE	MANOMETRO 0-18 VERTICALE BIANCO
33	F.1.080	CAP D8 SHEET METAL 1,6 NYLON BLACK	TAPPO D8 PER LAMIERA SP1,6 NYLON NERO
34	H.1.021	OR103 (OR2018) IN EPDM X ALTA TEMP	OR103 (OR2018) IN EPDM X ALTA TEMP
Item	Part number/Codice	Description	Descrizione

MECHANICAL PADDLE ASSEMBLY - MP

ALL GS3 MP FROM
S/N 7604 HAVE THIS VALVE





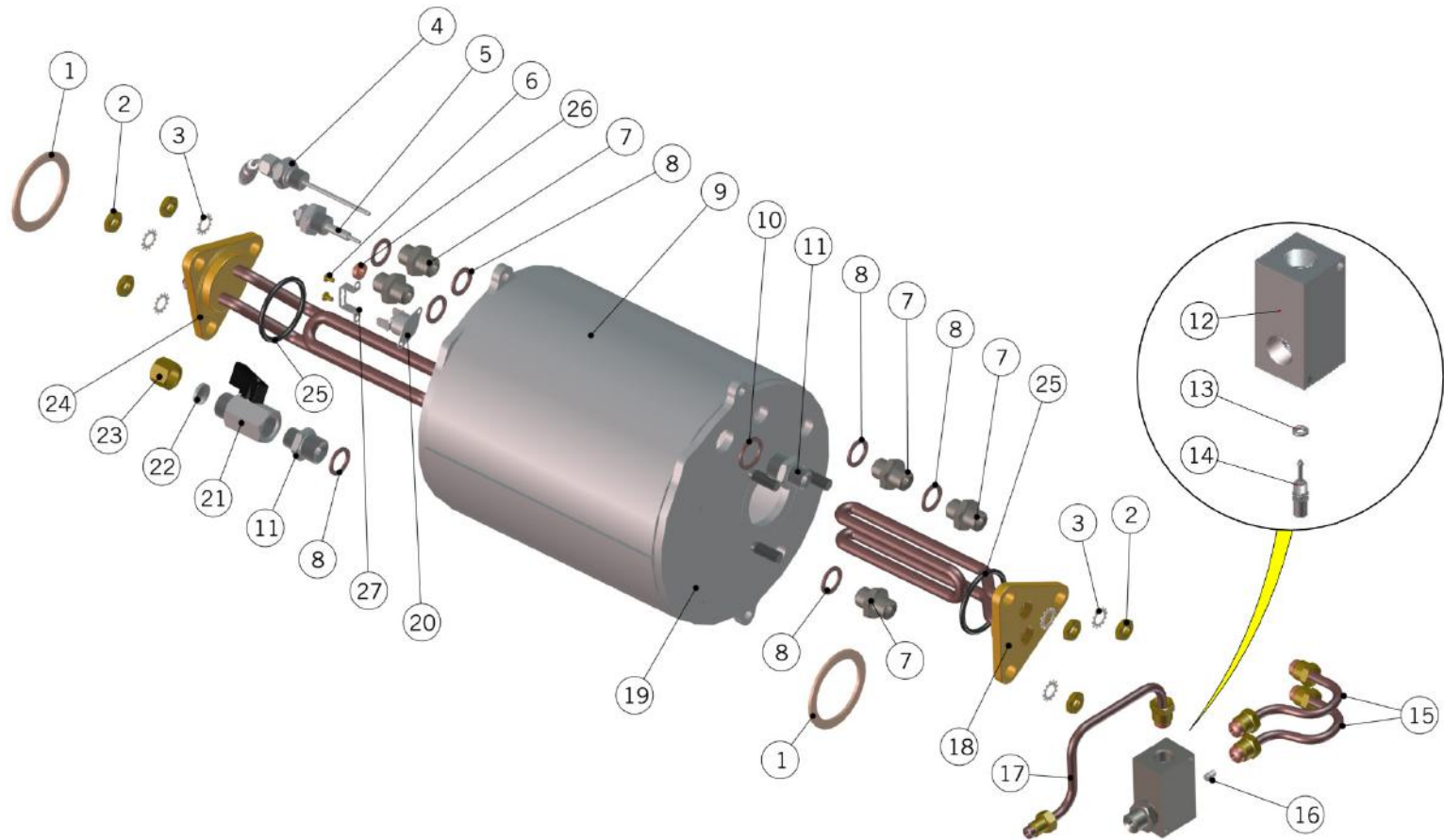
la marzocco

handmade in florence

MECHANICAL PADDLE ASSEMBLY - MP

Paddle	1	H.1.010.01	O-RING 2,62X21,89 EPDM 70 SH	O-RING 2,62X21,89 EPDM 70 SH
	2	A.5.047	ADAPTOR GROUP CONICAL V.	ADATTATORE GRUPPO V.PADDLE CONICO
	3	L103/A	O-RING 2,62X75,87 VITON 70 ShA FDA	O-RING 2,62X75,87 VITON 70 ShA FDA
	4	L103/B	FIBER GASKET 87X81X0,5	GUARNIZ. PIANA 87X81X0.5 NOVUS
	5	A.5.026	GROUP CAP S/S MP	GROUP CAP INOX MP
	6	L120/2A	WASHER 6,3X12X1 COPPER	RONDELLA 6,3X12X1 RAME
	7	L120/2	SCREW M6X10 SOCKET CAP S/S A2	VITE M6X10 TC A BRUGOLA INOX A2
	8	A.6.003	BODY CONICAL PADDLE VALVE	CORPO VALVOLA PADDLE CONICO
	9	H.1.011.01	O-RING 1,78X9,25 EPDM 70 SH	O-RING 1,78X9,25 EPDM 70 SH
	10	A.5.049	FITTING G1/8M-G1/8F WR14 S/S	RACCORDO G1/8M-G1/8F CH14 INOX
	11	T.1.196	DRAIN TUBE MP VALVE GS3	TUBO SCARICO VALVOLA PADDLE CONICO GS3
	12	T.1.187	TUBE WATER INLET MP VALVE	TUBO CARICO ACQUA VALVOLA PADDLE CONICO
	13	F.2.003	GICLEUR 0.6 M5 RUBY + S/S	GICLEUR 0.6
		F.2.003.08	GICLEUR 0.8 M5 RUBY + S/S	GICLEUR 0.8
14	954	RETROFIT KIT CONICAL PADDLE GS3/STRADA	RETROFIT KIT PADDLE CONICI GS3/STRADA	
Item	Part number/Codice	Description		Descrizione

STEAM BOILER ASSEMBLY





la marzocco

handmade in florence

STEAM BOILER ASSEMBLY

Caldaia Vapore

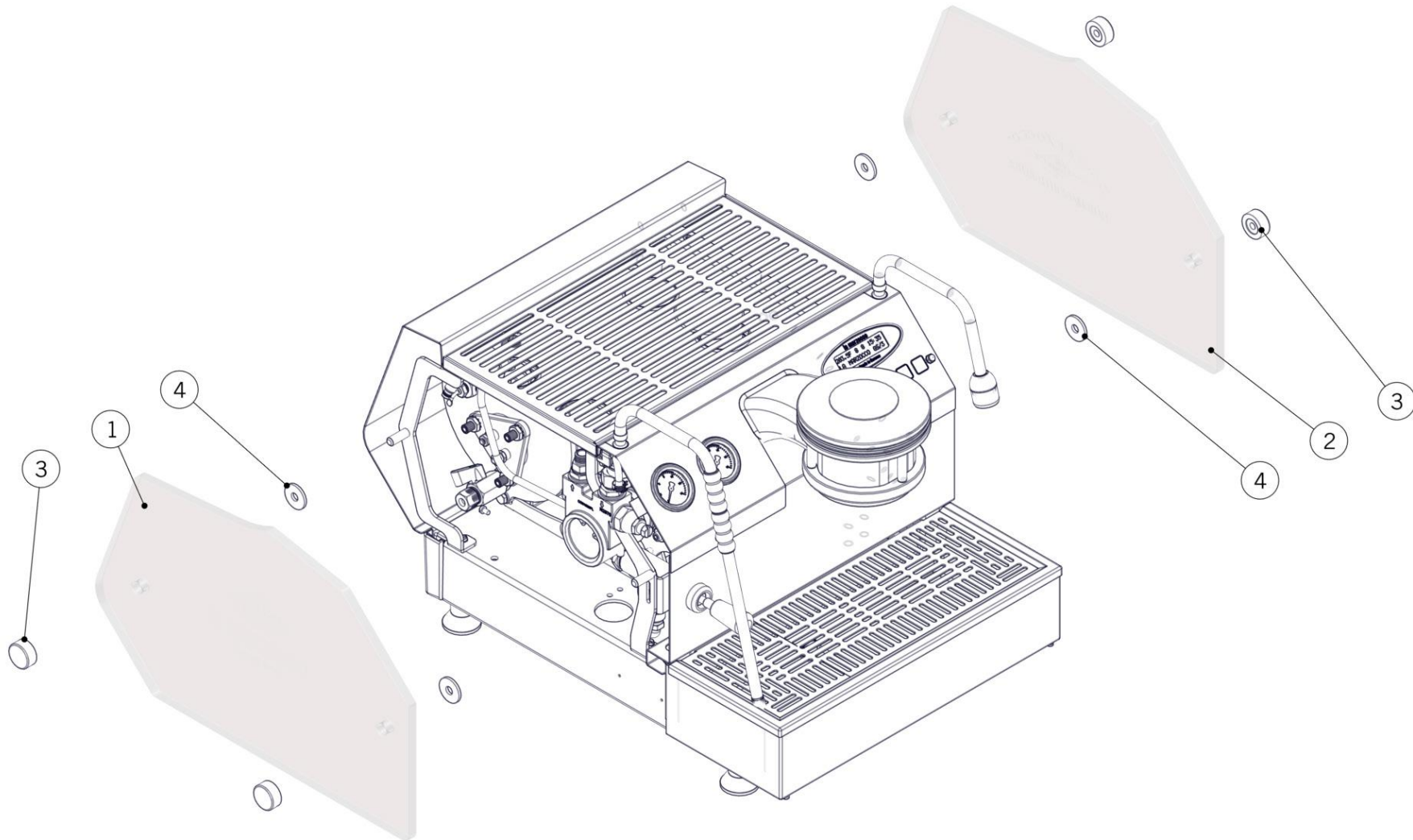
1	LR360/1	GS/3 HEATER ELEMENT PINK UNIFLON GASKET	GUARNIZIONE PIANA 53X40X2
2	I.1.025	NUT M8 H5 WR13 BRASS	DADO BASSO M8 H5 CH13 (UNI5589) OTTONE
3	ROND_DENT_8	TOOTH LOCK WASHER 8X14,7X2 S/S A2	ROND.DENTATA 8,5X14,7X2 INOX A2
4	E.1.005	PT1000 TEMPERATURE PROBE	SONDA DI TEMPERATURA PT1000
5	LA052	WATER LEVEL PROBE	SONDA LIVELLO TL10/B 140MM.
6	VITE3X4	SCREW M3X4 CHEESE BRASS	VITE M3X4 TC A TAGLIO OTTONE
7	L037/3.01	NIPPLE G1/4M-G1/4M WR19 H25.5 BRASS TR.	NIPPLO G1/4M-G1/4M CH19 H25.5 OT. TR.
8	L100/1A	WASHER 13,5X19X1,5 COPPER	RONDELLA 13,5X19X1,5 RAME
9	F.7.024	INSULATION PANEL 300X180X12 ADHESIVE GS3	ISOLANTE 300X180X12 ADESIVO C.VAPORE GS
10	L180/1	WASHER 22X17X1,5 COPPER	RONDELLA 17X22X1,5 RAME
11	A.2.011.01	NIPPLE G3/8M-G1/4M WR20 BRASS TREATED	NIPPLO G3/8M-G1/4M CH20 OTTONE TRATT.
12	B.2.007.01	MIXING VALVE BODY TREATED	CORPO VALVOLA MISCELATRICE TRATTATA
13	H.1.007	O-RING 1.78X2.9 FKM 74 SH	O-RING 1.78X2.9 FKM 74 SH
14	F.3.008	THERMOSTATIC VALVE PIN	SPINA X VALV. TERMOSTATICA
15	T.2.110	TUBE PRE-HEATER - MIXING VALVE GS3	TUBO PRERISCALDATORE - V.MISC. GS3
16	B.2.011.01	GICLEUR 1,5 M5 CH5 BRASS TREATED	GICLEUR 1,5 M5 CH5 OTTONE TRATTATO
17	T.2.104	TUBE MIXING VALVE - COFFEE BOILER	TUBO V.MISC. - CALDAIA CAFFE'
18	T.1.046	PREHEATER 1GR L157MM	PRERISCALDATORE 1GR L157 MM
19	L.1.002.R	STEAM BOILER FLAT SIDE GS3	CALDAIA VAPORE FOND. PIATTI GS3
20	E.5.002	SAFETY THERMOSTAT 1P 140C 250V	TERMOSTATO UNIPOL. 140C 250V
21	L164.02	BALL VALVE G3/8M-G3/8F BRASS TREATED	RUBINETTO A SFERA G3/8M-G3/8F OTTONE TR.
22	H.1.004	O-RING 2,62x10,77 EPDM 85 SH	O-RING 2,62x10,77 EPDM 85 SH
23	L030	CAP NUT G3/8 H11 WR19 BRASS	DADO CIECO CILINDRICO G3/8 H11 WR19 OTT.
24	E.6.001.02	HEATING ELEMENT W1000 V110 TRIANG.FL. RP	RES. EL. W1000 V110 FL. TRIANG. RP
	E.6.015	HEATING ELEMENT W1200 V240 TRIANG.FL. RP	RES. EL. W1200 V240 FL. TRIANG. RP
	E.6.005.02	HEATING ELEMENT W1000 V200 TRIANG.FL. RP	RES. EL. W1000 V200 FL. TRIANG. RP
25	F.2.014.01	O-RING 3,53X37,69 FKM 70 SH GREEN	O-RING 3,53X37,69 FKM 70 SH VERDE
26	L137/3	FERRULE 3,5X11X5 T5	GHIANDINA 3,5X11X5 T5
27	F.9.002	BRACKET SAFETY THERMOSTAT CAMPINI TY60	STAFFA TERMOSTATO CAMPINI TY60
Item	Part number/Codice	Description	Descrizione



la marzocco

handmade in florence

GS3 - COLOR GLASS SIDE PANELS





la marzocco

handmade in florence

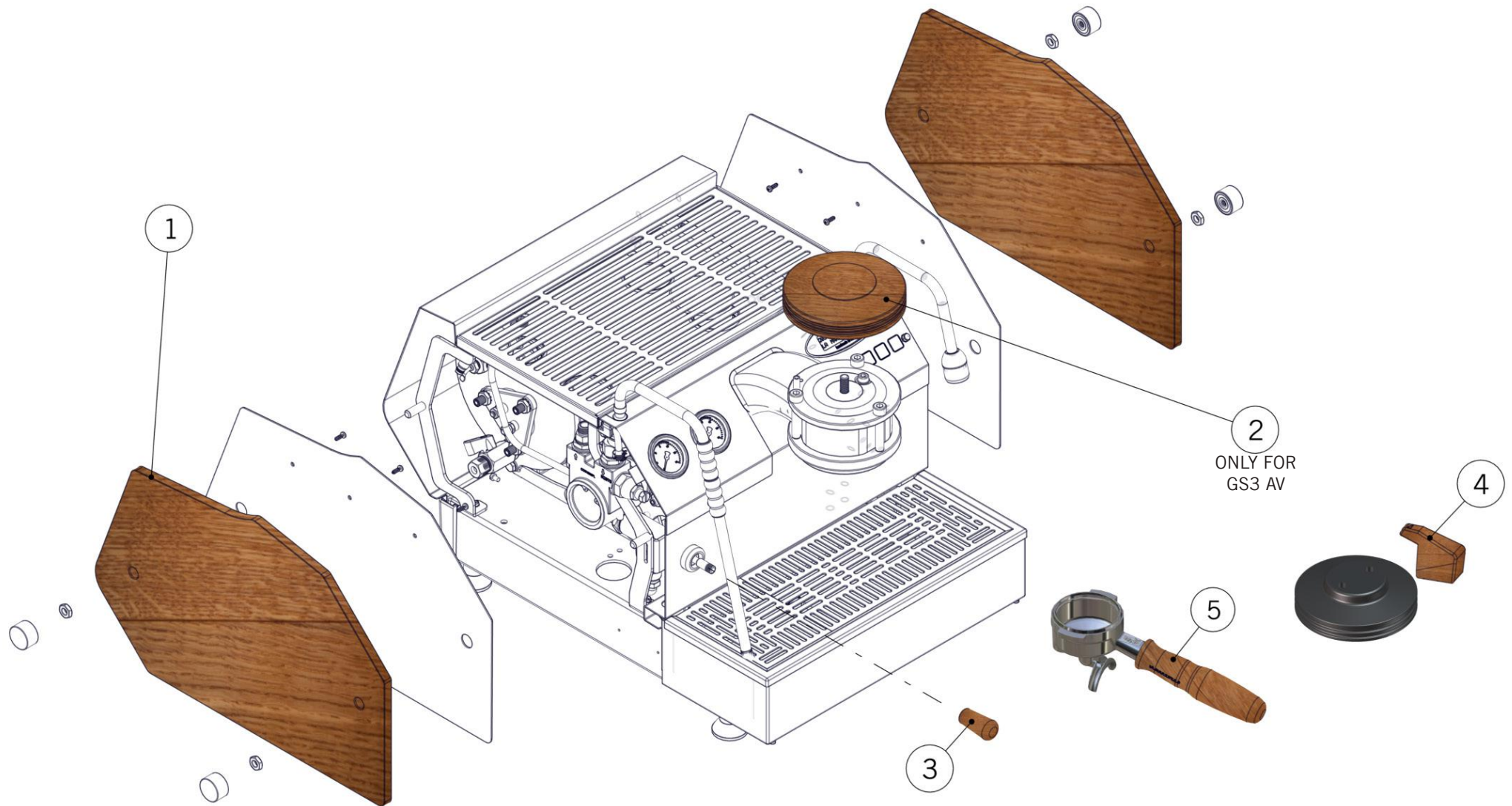
GS3 - COLOR GLASS SIDE PANELS

Color Glass	1	F.1.009.SX.BK	PANEL LEFT SIDE BLACK GLASS GS3	PANNELLO LATERALE SX VETRO NERO GS3
		F.1.009.SX.BL	PANEL LEFT SIDE BLUE GLASS GS3	PANNELLO LATERALE SX VETRO BLU GS3
		F.1.009.SX.RD	PANEL LEFT SIDE RED GLASS GS3	PANNELLO LATERALE SX VETRO ROSSO GS3
		F.1.009.SX.WH	PANEL LEFT SIDE WHITE GLASS GS3	PANNELLO LATERALE SX VETRO BIANCO GS3
	2	F.1.009.DX.BK	PANEL RIGHT SIDE BLACK GLASS GS3	PANNELLO LATERALE DX VETRO NERO GS3
		F.1.009.DX.BL	PANEL RIGHT SIDE BLUE GLASS GS3	PANNELLO LATERALE DX VETRO BLU GS3
		F.1.009.DX.RD	PANEL RIGHT SIDE RED GLASS GS3	PANNELLO LATERALE DX VETRO ROSSO GS3
		F.1.009.DX.WH	PANEL RIGHT SIDE WHITE GLASS GS3	PANNELLO LATERALE DX VETRO BIANCO GS3
	3	A.2.025	CAP NUT M8 CHROMED GLASS PANEL	DADO CIECO CIL. M8 CROMATO PANN.VETRO
	4	F.2.025	BLACK PLASTIC WASHER 8.4x25x2.5	RONDELLE IN PLASTICA NERA 8.4x25x2.5
Item	Part number/Codice	Description	Descrizione	



la marzocco
handmade in florence

GS3 - CUSTOM WOOD SIDE PANELS AND PARTS





la marzocco

handmade in florence

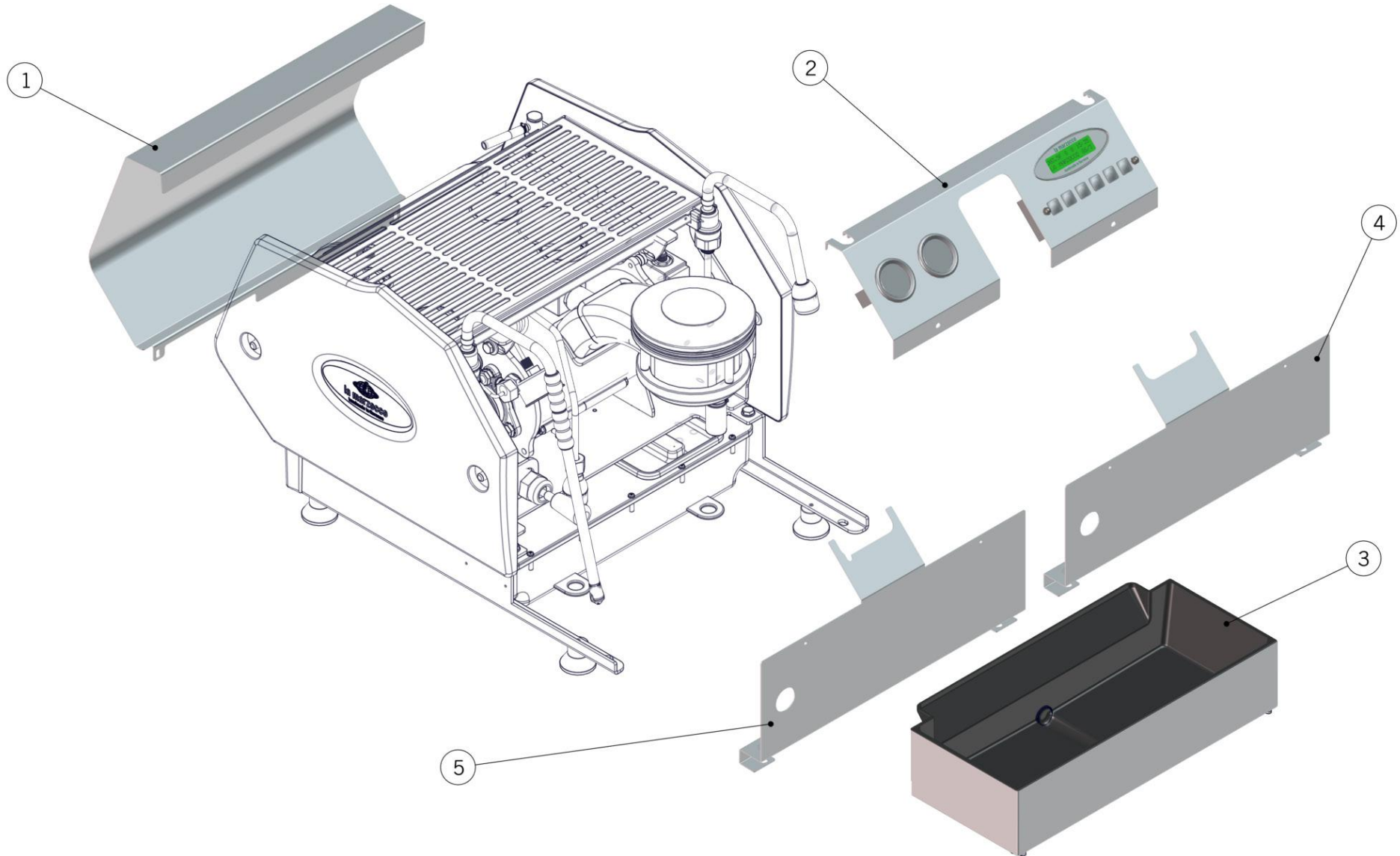
GS3 - CUSTOM WOOD SIDE PANELS AND PARTS

Custom	1	Y.1.009.MW	MAPLE WOOD SIDE PANELS GS/3 (LEFT+RIGHT)	SET PANNELLI LEGNO ACERO GS/3
		Y.1.009.WW	WALNUT WOOD SIDE PANELS GS/3 (LEFT+RIGHT)	SET PANNELLI LEGNO NOCE GS/3
	2	F.1.012.MW	GROUP PROTECTIVE COVER GS/3 MAPLE WOOD	GROUP PROTECTIVE COVER GS/3 LEGNO ACERO
		F.1.012.WW	GROUP PROTECTIVE COVER GS/3 WALNUT WOOD	GROUP PROTECTIVE COVER GS/3 LEGNO NOCE
	3	F.5.002	STEAM KNOB MAPLE	MANOPOLA RUB. VAPORE LEGNO ACERO
		F.5.004	STEAM KNOB WALNUT	MANOPOLA RUB. VAPORE LEGNO NOCE
	4	C.2.020.MW	MAPLE PADDLE HANDLE	MANIGLIA PADDLE IN LEGNO DI ACERO
		C.2.020.WW	WALNUT PADDLE HANDLE	MANIGLIA PADDLE IN LEGNO DI NOCE
	5	L111/1MW.R	PORTAFILTER SINGLE SPOUT MAPLE	PORTAFILTRO BECCUCCIO SINGOLO ACERO
		L111/1WW.R	PORTAFILTER SINGLE SPOUT WALNUT	PORTAFILTRO BECCUCCIO SINGOLO NOCE
L111/2MW.R		PORTAFILTER DOUBLE SPOUT MAPLE	PORTAFILTRO BECCUCCIO DOPPIO ACERO	
L111/2WW.R		PORTAFILTER DOUBLE SPOUT WALNUT	PORTAFILTRO BECCUCCIO DOPPIO NOCE	
Item	Part number/Codice	Description	Descrizione	



la marzocco
handmade in florence

GS3 - WHITE POWDER COATING PANELS





la marzocco

handmade in florence

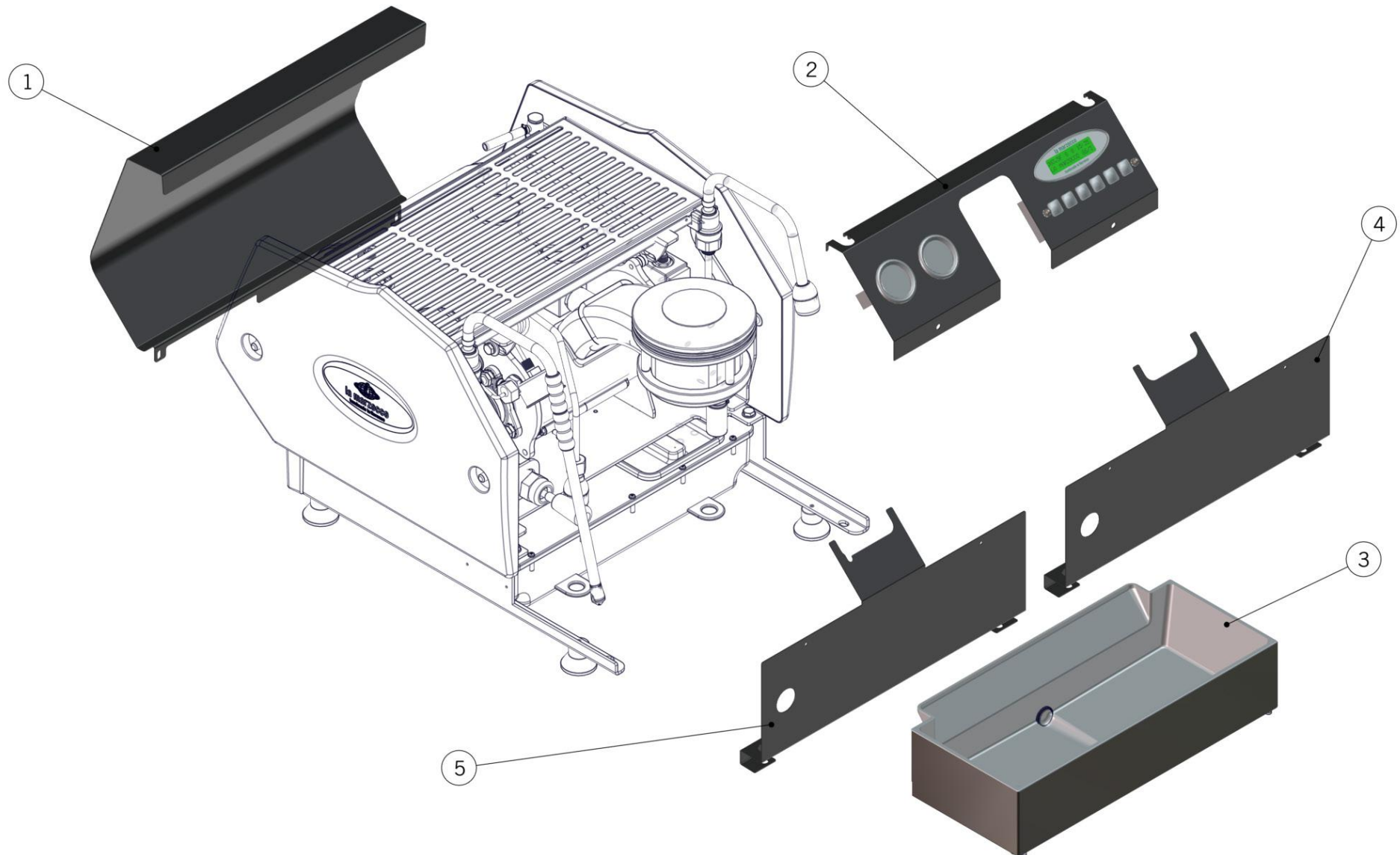
GS3 - WHITE POWDER COATING PANELS

Body Panel Assembly	1	C.1.045.50	PANEL BACK GS3 WHITE	PANNELLO POSTERIORE GS3 BIANCO
	2	C.1.046.50	PANEL FRONT GS3 WHITE	PANNELLO FRONTALE GS3 BIANCO
	3	SA325.50	DRAIN BOX GS3 WHITE COMPLETE	BACINELLA DI SCARICO GS/3 BIANCA
	4	C.1.043.50	PANEL FRONT CENTRAL GS3 WHITE	PANNELLO FRONTALE CENTRALE GS3 BIANCO
	5	C.1.137.50	PANEL FRONT CENTRAL GS3 MP WHITE	PANNELLO FRONTALE CENTRALE GS3 MP BIANCO
	Item	Part number/Codice	Description	



la marzocco
handmade in florence

GS3 - BLACK POWDER COATING PANELS





la marzocco

handmade in florence

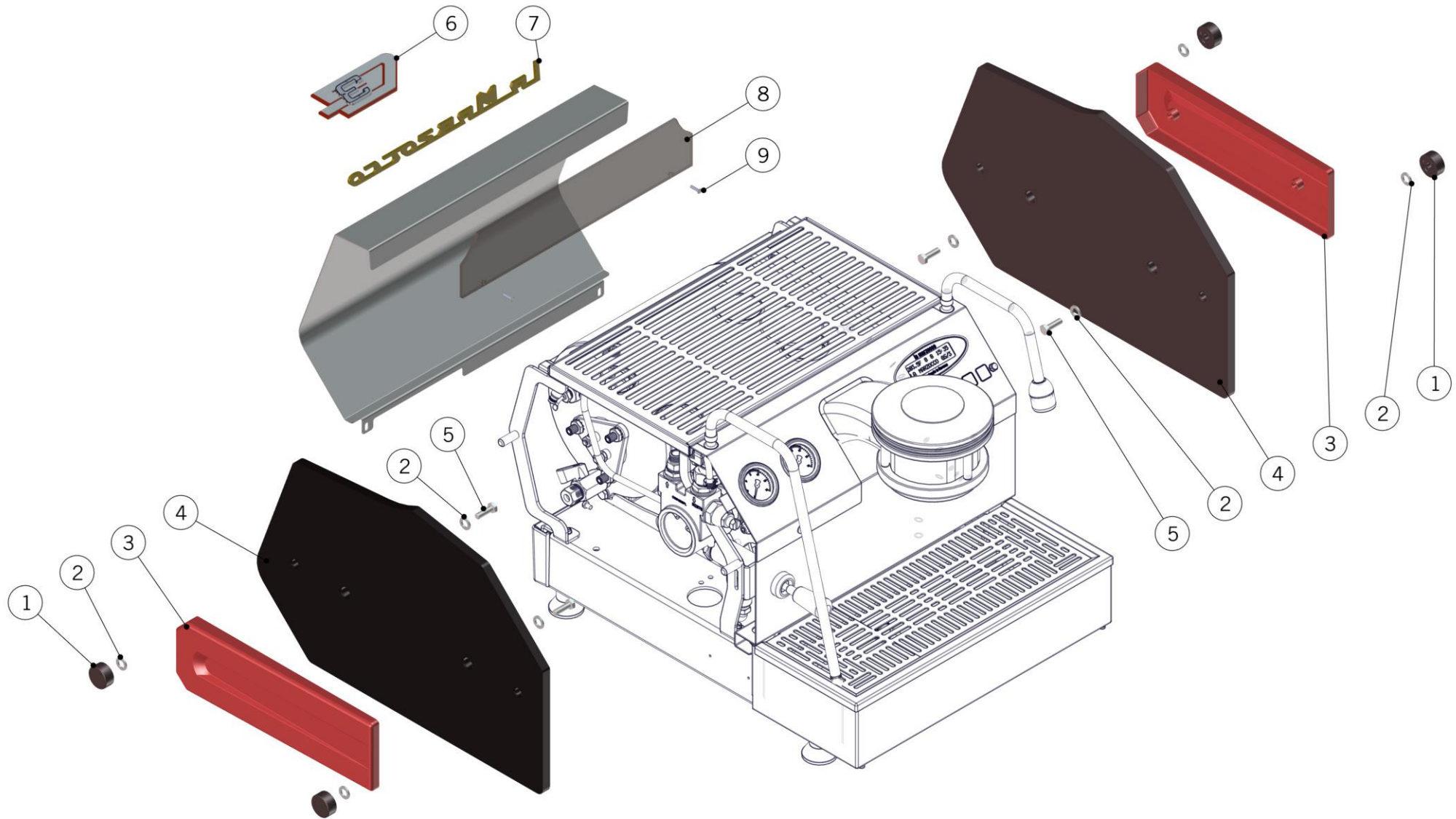
GS3 - BLACK POWDER COATING PANELS

Body Panel Assembly	1	C.1.045.60	PANEL BACK GS3 BLACK	PANNELLO POSTERIORE GS3 NERO
	2	C.1.046.60	PANEL FRONT GS3 BLACK	PANNELLO FRONTALE GS3 NERO
	3	SA325.60	DRAIN BOX GS3 BLACK COMPLETE	BACINELLA DI SCARICO GS/3 NERA
	4	C.1.043.60	PANEL FRONT CENTRAL GS3 BLACK	PANNELLO FRONTALE CENTRALE GS3 NERO
	5	C.1.137.60	PANEL FRONT CENTRAL GS3 MP BLACK	PANNELLO FRONTALE CENTRALE GS3 MP NERO
	Item	Part number/Codice	Description	



la marzocco
handmade in florence

GS3 - GS STYLE CUSTOM KIT





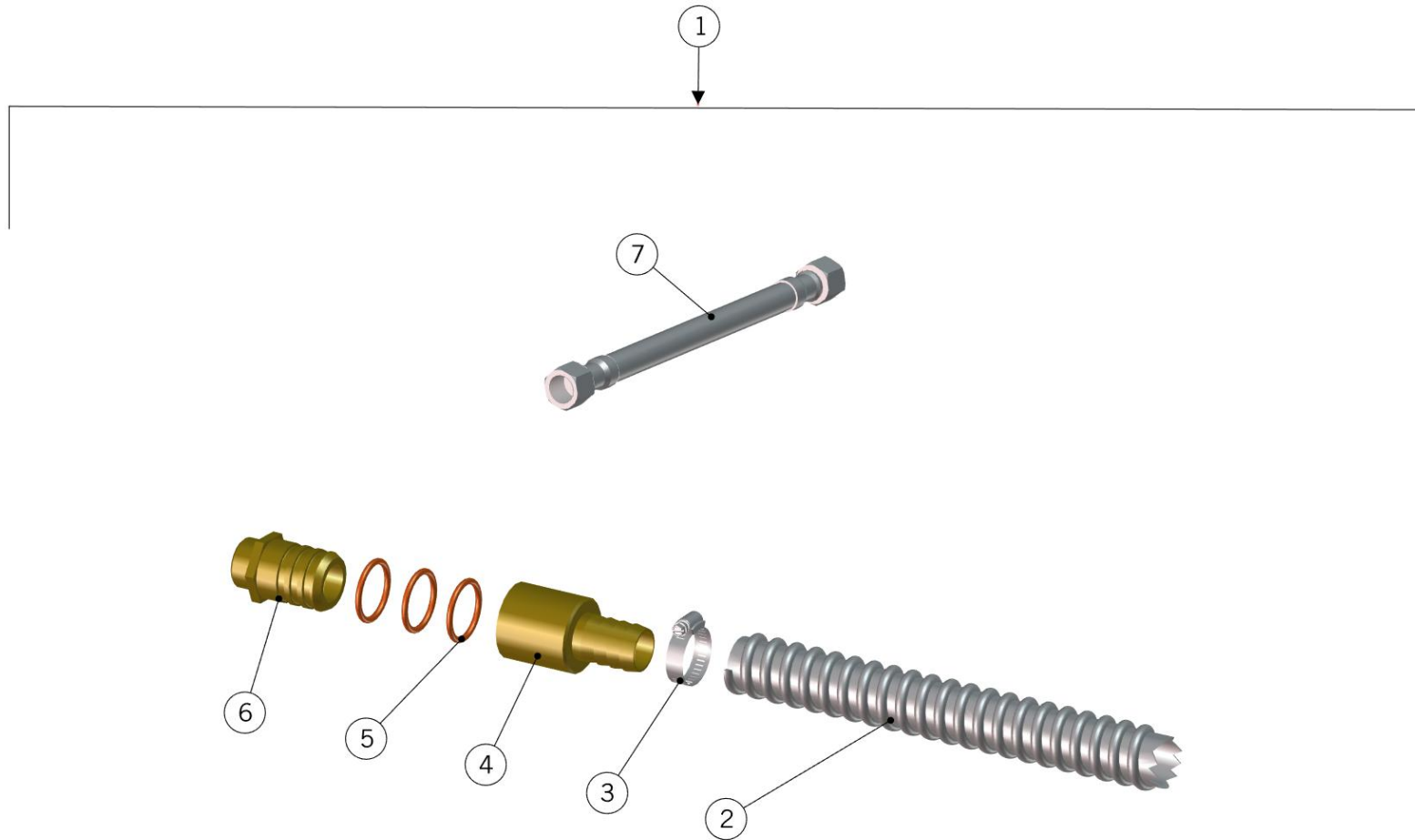
la marzocco

handmade in florence

GS3 - GS STYLE CUSTOM KIT

Body Panel Assembly	1	A.2.025.60	THREADED CAP M8 PAINTED	CAPPUCCIO A VITE M8 VERNICIATO
	2	L1003	WASHER 8,5X14X1,5 S/S A2	RONDELLA 8,5X14X1,5 INOX A2
	3	C.1.303	PANEL SIDE TRIM GS STYLE GS3	FIANCATINA COLORE ARANCIONE GS3 STILE GS
	4	C.3.009	PANEL SIDE GS STYLE GS3	FIANCATA LATERALE GS3 STILE GS
	5	I.1.058	SCREW M6X20 HEX HEAD S/S	VITE M6X20 TE INOX
	6	D.2.008	BACK LOGO GS STYLE GS3	LOGO POSTERIORE GS3 STILE GS
	7	D.3.015	GS STYLE LA MARZOCCO LOGO	SCRITTA LA MARZOCCO STILE GS
	8	C.2.037	RAILING GS STYLE GS3	CORNICE SUP. MARRONE FUME' GS3 STILE GS
	9	I.1.045	SCREW M3X12 PHILLIPS COUNTERSUNK S/S A2	VITE M3X12 TS A CROCE INOX A2
	Item	Part number/Codice	Description	

WATER SUPPLY CONNECTION





la marzocco

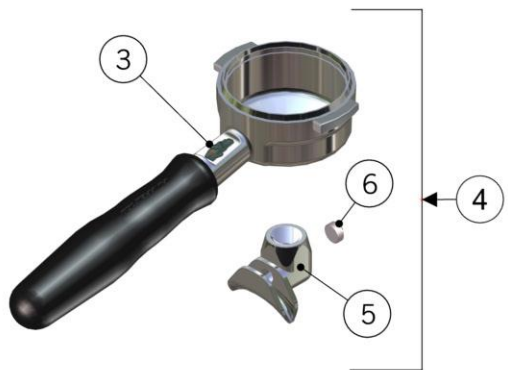
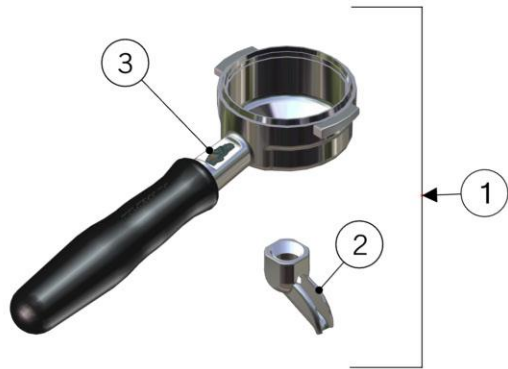
handmade in florence

WATER SUPPLY CONNECTION

Kit Rete Idrica	1	913	PLUMBING CONNECTION KIT GS3 CE	KIT CONNES RETE IDRICA GS3 CE
		914	PLUMBING CONNECTION KIT GS3 ETL	KIT CONNES RETE IDRICA GS3 ETL
	2	L308	CLEAR ARMoured DRAIN HOSE	TUBO PU AIR SCARICO ACQUA DIA 20
	3	L312	HOSE CLAMP	FASCETTA SERRATUBO 16/25 H.8
	4	F.8.003	HOSE CONNECTOR QUICK CONNECTION	PORTAGOMMA CONNESSIONE RAPIDA
	5	H.1.010.01	O-RING 2,62X21,89 EPDM 70 SH	O-RING 2,62X21,89 EPDM 70 SH
	6	F.8.002	DISCHARGE FITTING QUICK CONNECTION	RACCORDO SCARICO CONNESSIONE RAPIDA
		L325	BRAIDED HOSE G3/8F-G1/4F 150CM GS3	TUBO FLEX G3/8F-G1/4F 150CM GS3
	L326	BRAIDED HOSE 3/8 COMPR.-G1/4F 150CM GS3	TUBO FLEX 3/8 COMPR.-G1/4F 150CM GS3	
Item	Part number/Codice	Description		Descrizione

PORTAFILTER ASSEMBLY

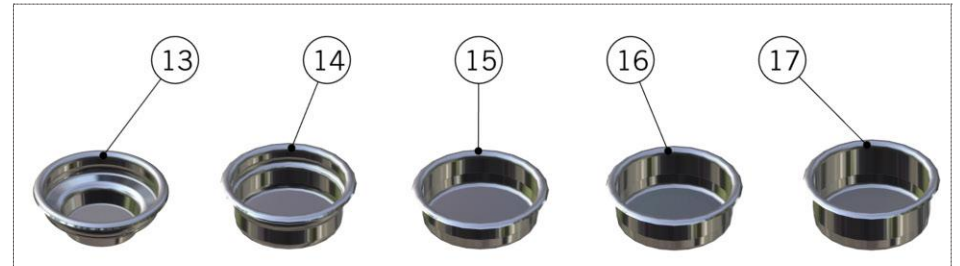
BRASS PORTAFILTERS



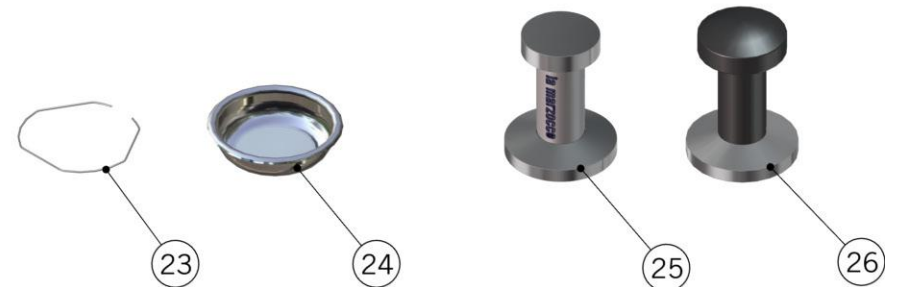
STAINLESS STEEL PORTAFILTERS



FILTER BASKETS SPECIFICALLY DESIGNED FOR FOR LA MARZOCCO SWIFT GRINDER



STANDARD VERSION FILTER BASKETS





la marzocco

handmade in florence

PORTAFILTER ASSEMBLY

Portafiltri

1	L111/1	PORTAFILTER SINGLE SPOUT BRASS	PORTAFILTRO BECCUCCIO SINGOLO OTTONE
2	L115.01	SPOUT 1 CUP W/TREATMENT FOR SANITATION	BECCUCCIO SINGOLO C/TRATTAMENTO ALIM.
3	L111/LM12.01	CUP PORTAFILTER BRASS WITH HANDLE	COPPA PORTAFILTRO OTTONE CON MANICO
4	L111/2N	PORTAFILTER DOUBLE SPOUT BRASS	PORTAFILTRO BECCUCCIO DOPPIO OTTONE
5	L119.01	SPOUT 2 CUPS W/TREATMENT FOR SANITATION	BECCUCCIO DOPPIO C/TRATTAMENTO ALIM.
6	L119/V	SCREW FOR DOUBLE SPOUT	VITE PER BECCUCCIO A 2 TAZZE
7	L111/2NAC	PORTAFILTER DOUBLE SPOUT	PORTAFILTRO BECCUCCIO DOPPIO
8	A.5.014.01	S/S DOUBLE SPOUT	BECCUCCIO DOPPIO INOX
9	H.1.017	O-RING 3,53X9,12 EPDM 70 ShA	O-RING 3,53X9,12 EPDM 70 ShA
	H.1.017.02	O-RING 9,21x3,37 EPDM FDA	O-RING 9,21x3,37 EPDM FDA
10	L111/SS.R	CUP PORTAFILTER S/S WITH HANDLE	COPPA PORTAFILTRO INOX CON MANICO
11	L111/1AC	PORTAFILTER SINGLE SPOUT	PORTAFILTRO BECCUCCIO SINGOLO
12	A.5.013.01	S/S SINGLE SPOUT	BECCUCCIO SINGOLO INOX
13	L115/A	FILTER 1 CUP	FILTRO A 1 TAZZA
14	L115/A/S	SINGLE FILTER	FILTRO A 1 TAZZA SINGOLO/DOPPIO
15	5.128	19mm SWIFT FILTER BASKET	FILTRO SWIFT 19mm
16	5.127	22mm SWIFT FILTER BASKET	FILTRO SWIFT 22mm
17	5.133	TRIPLE SWIFT FILTER BASKET	FILTRO SWIFT TRIPLO
18	F.3.029.GR	FILTER BASKET 7G S/S	FILTRO 7G INOX
19	F.3.053	FILTER BASKET 7G S/S ITALIAN VERSION	FILTRO 7G INOX VERSIONE ITALIA
20	F.3.028.01	FILTER BASKET 14G S/S	FILTRO 14G INOX
21	F.3.027.01	FILTER BASKET 17G S/S	FILTRO 17G INOX
22	F.3.026.01	FILTER BASKET 21G S/S	FILTRO 21G INOX
23	L113	SPRING D WIRE1,1 S/S FILTER LOCK	MOLLA DFIL01,1 INOX FERMAFILTRO
24	L115/C	BLIND FILTER	FILTRO CIECO X LAVAGGIO
25	F.3.045	S/S-ALUMINUM SINGLE-DOUBLE TAMPER	PRESSINO INOX-ALLUMINIO SINGOLO-DOPPIO
26	F.3.031.01	ANODIZED DOUBLE TAMPER S/S US VERSION	PRESSINO DOPPIO VERSIONE US ANODIZZATO
Item	Part number/Codice	Description	Descrizione

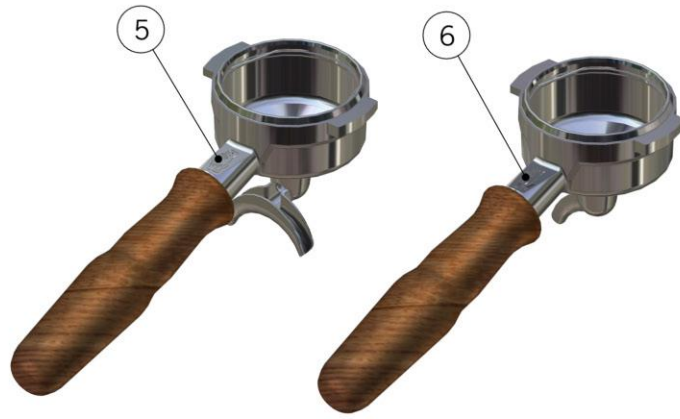
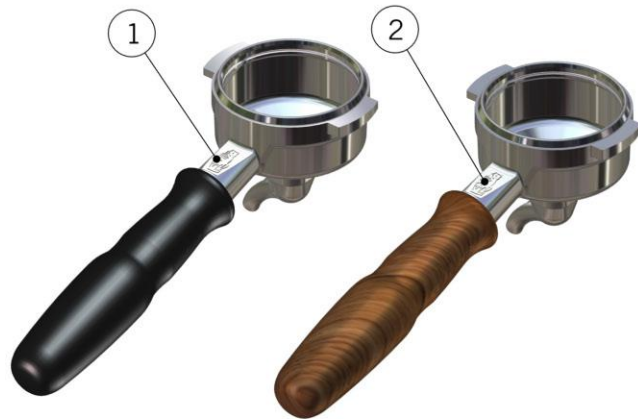
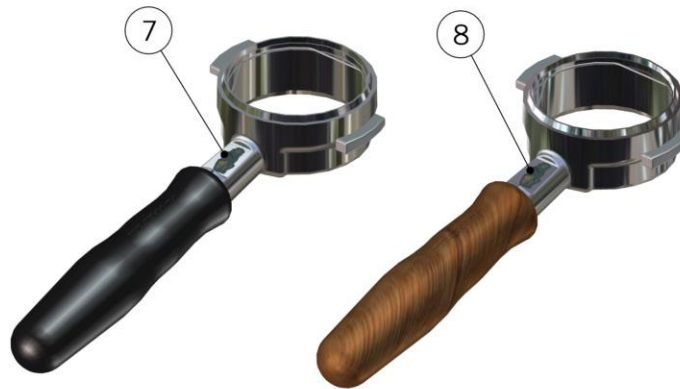


la marzocco

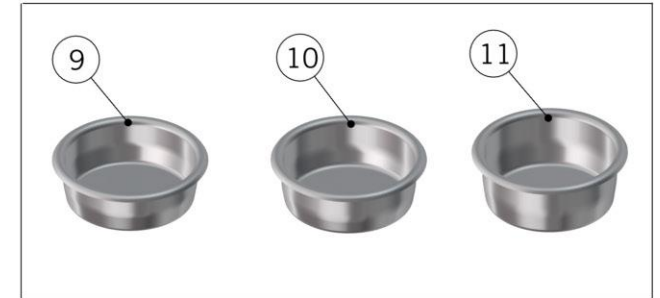
handmade in florence

PORTAFILTER ASSEMBLY

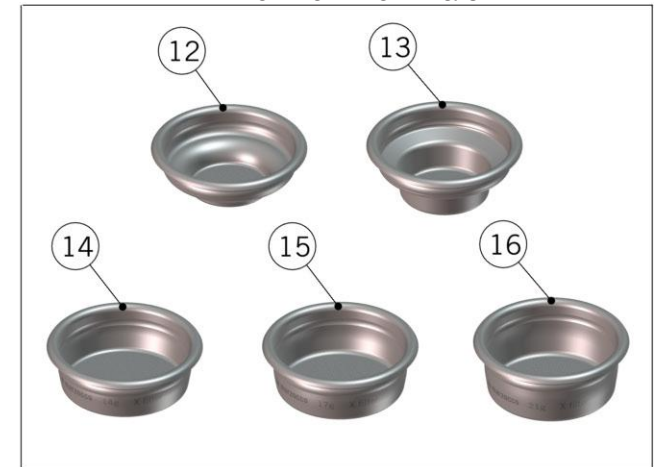
FIXED SPOUT PORTAFILTERS



RIDGELESS FILTER BASKETS



X FILTER BASKETS - TESTED & CERTIFIED





la marzocco

handmade in florence

PORTAFILTER ASSEMBLY

Portafiltri

1	A.5.078	PORTAFILTER FIXED SINGLE SPOUT	PORTAFILTRO BECCUCCIO SINGOLO FISSO
2	A.5.126	PORTAFILTER FIXED SINGLE SPOUT MAPLE	PORTAFILTRO BECCUCCIO SINGOLO FISSO ACERO
	A.5.128	PORTAFILTER FIXED SINGLE SPOUT WALNUT	PORTAFILTRO BECCUCCIO SINGOLO FISSO NOCE
3	A.5.079	PORTAFILTER FIXED DOUBLE SPOUT	PORTAFILTRO BECCUCCIO DOPPIO FISSO
4	A.5.127	PORTAFILTER FIXED DOUBLE SPOUT MAPLE	PORTAFILTRO BECCUCCIO DOPPIO FISSO ACERO
	A.5.129	PORTAFILTER FIXED DOUBLE SPOUT WALNUT	PORTAFILTRO BECCUCCIO DOPPIO FISSO NOCE
5	L111/2MW.R	PORTAFILTER DOUBLE SPOUT MAPLE	PORTAFILTRO BECCUCCIO DOPPIO ACERO
	L111/2WW.R	PORTAFILTER DOUBLE SPOUT WALNUT	PORTAFILTRO BECCUCCIO DOPPIO NOCE
6	L111/1MW.R	PORTAFILTER SINGLE SPOUT MAPLE	PORTAFILTRO BECCUCCIO SINGOLO ACERO
	L111/1WW.R	PORTAFILTER SINGLE SPOUT WALNUT	PORTAFILTRO BECCUCCIO SINGOLO NOCE
7	L111/X.01	PORTAFILTER NAKED	PORTAFILTRO NUDO
8	A.5.060	PORTAFILTER NAKED WALNUT	PORTAFILTRO NUDO NOCE
	A.5.061	PORTAFILTER NAKED MAPLE	PORTAFILTRO NUDO ACERO
9	F.3.080	FILTER BASKET 14G S/S RIDGELESS	FILTRO 14G INOX SENZA BORDATURA
10	F.3.079	FILTER BASKET 17G S/S RIDGELESS	FILTRO 17G INOX SENZA BORDATURA
11	F.3.081	FILTER BASKET 21G S/S RIDGELESS	FILTRO 21G INOX SENZA BORDATURA
12	F.3.054.X	FILTER 7 GR "X" ITALIA	FILTRO 7 GR "X" ITALIA
13	F.3.029.X	FILTER 7G "X"	FILTRO 7G "X"
14	F.3.028.X	FILTER 14G "X"	FILTRO 14G "X"
15	F.3.027.X	FILTER 17G "X"	FILTRO 17G "X"
16	F.3.026.X	FILTER 21G "X"	FILTRO 21G "X"
Item	Part number/Codice	Description	Descrizione

HOSE AND ACCESSORIES





la marzocco

handmade in florence

HOSE AND ACCESSORIES

Tubi e Accessori

1	L325	BRAIDED HOSE G3/8F-G1/4F 150CM GS3	TUBO FLEX G3/8F-G1/4F 150CM GS3
	L326	BRAIDED HOSE 3/8 COMPR.-G1/4F 150CM GS3	TUBO FLEX 3/8 COMPR.-G1/4F 150CM GS3
2	L037/2PGR	HOSE HOLDER WITH 20 MM. HOLE	PORTAGOMMA DM.MM 20 ES.22
3	L312	HOSE CLAMP	FASCETTA SERRATUBO 16/25 H.8
4	L308	CLEAR ARMOURED DRAIN HOSE	TUBO PU AIR SCARICO ACQUA DIA 20
5	UT003	CHIAVE BRUGOLA 5mm AD L PER GS/3	CHIAVE BRUGOLA 5mm AD L PER GS/3
6	UT103	PADDLE CAP SECTION	COPERCHIO PADDLE SEZIONATO
7	UT004	MP O-RING EXTRACTOR	ESTRATTORE O-RING MP
8	V067	LA MARZOCCO PURO CAFF POWDER	POLVERE LA MARZOCCO PURO CAFF
9	E.4.025.02	KIT AVR PROGRAMMER - USB COMPLETE	KIT PROGRAMMAZIONE AVR - USB COMPLETO
10	F.9.000.01	MULTIPLE PARAMETER TEST KIT	KIT PER ANALISI DELL'ACQUA
11	F.9.003	DIGITAL TDS METER	TDS METER DIGITALE
12	F.1.065	HTC THERMAL COMPOUND SYRINGE 2ML	SIRINGA GRASSO TERMICO HTC 2ML
13	UT108	BENT WRENCH WR13 FOR GROUP TUBE	CHIAVE PIEGATA CH13 PER TUBO GRUPPO
14	NOT AVAILABLE		
15	UT008	GASKET PICK	ESTRATTORE PER GUARNIZIONI
Item	Part number/Codice	Description	Descrizione

LA MARZOCCO SRL
Via La Torre, 14/H
Localita' La Torre
50038 Scarperia e San Piero
(Florence) - ITALY
T. +39 055 849 191
F. +39 055 849 1990
info@lamarzocco.com
www.lamarzocco.com