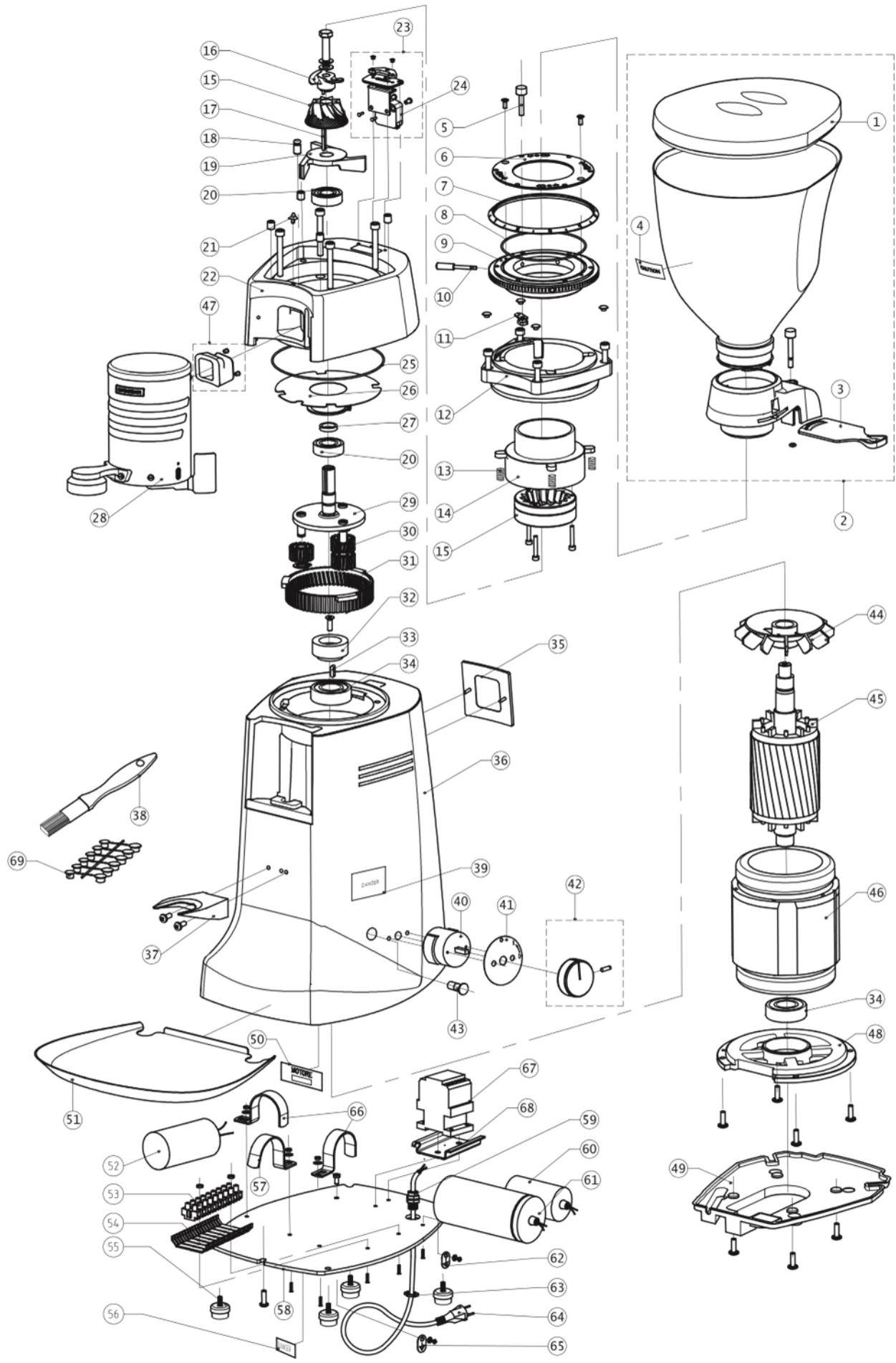


EXPLODED VIEW
ROBUR S AUTOMATIC GRINDER DOSER





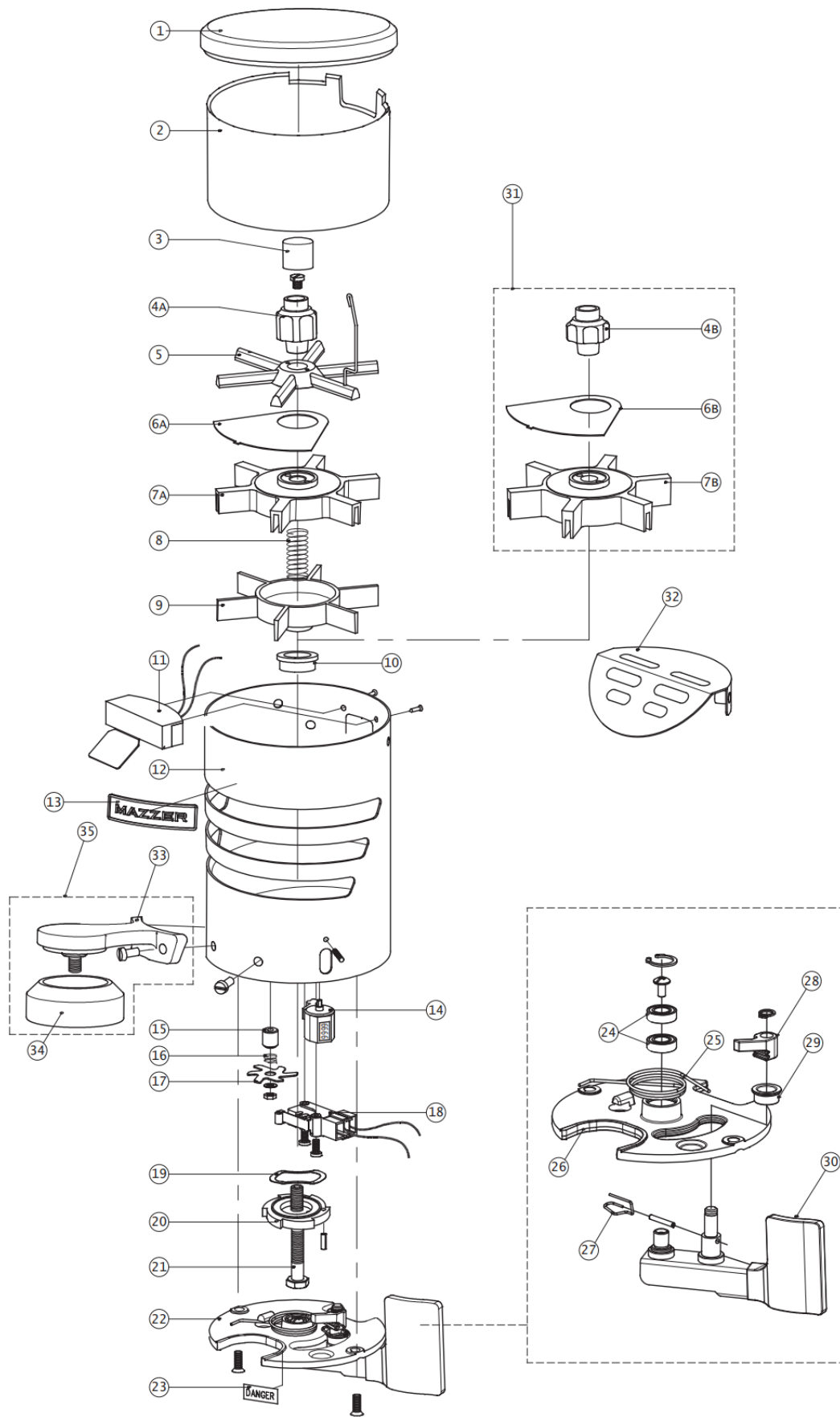
For questions about parts, or to place an order over the phone, contact La Marzocco Solutions at

1-206-706-9104 ext 101. Orders can be emailed to parts.usa@lamarzocco.com

LM USA generated part numbers (M*****) and Mazzer factory numbers (S*****/**Q) are used in this catalog.

| Desc. No. | Part Number | Description |
|-----------|---------------|---|
| 1 | M28053001 | HOPPER LID ROBUR S |
| 2 | M28351005 | ROBUR S HOPPER |
| 3 | M28326011 | Robur S, Major V, ZM Collar Locking Slide |
| 4 | Not available | |
| 5 | M28360021 | Locking Pin for Robur S Grind Adjustment Disk |
| 6 | M28682 | Closing Plate for Robur S Grinding Adjust Disk |
| 7 | M28681 | Graded Ring for Robur S Grind Adjustment Disk |
| 8 | M28680001 | O-Ring 2375 NBR70 |
| 9 | M28158001 | Robur S, Major V Grind Adjustment Disk |
| 10 | M28360012 | Grinding Adjustment Disk Handle |
| 11 | M28360019 | Lock Nut for Grinding Adjustment Disk |
| 12 | M28360031/RS | Holder for Robur S Grinding Adjustment Disk |
| 13 | S000MOB14/AQQ | GRINDING ADJUSTMENT SPRING |
| 14 | M28360030/RS | UPPER GRINDING BLADE HOLDER |
| 15 | M282186 | 186-C Conical Burrs, Robur / Kold |
| 16 | Not available | |
| 17 | M28254001 | Key 3 x 3 x 28 |
| 18 | M28243001 | Pin, for Robur 'S' Duct Insert |
| 19 | M28253/RS | Lower Burr Holder, Robur 'S' Single Phase |
| 20 | M28057 | Bearing, 6202 (Swift) |
| 21 | M28253001 | Grinding Adjustment Index, Robur 'S' / Kold 'S' |
| 22 | Not available | |
| 23 | M28245 | Automatic Robur S Wired Safety Switch |
| 24 | M28241002 | Hopper Safety Switch |
| 25 | M28680002 | O-Ring 2500 NBR70 |
| 26 | M28680020 | Disk to Close Robur 'S' Body-Head |
| 27 | M28396002 | Thickness Planetary Shaft |
| 28 | M28102 | DOSER FOR ROBUR S |
| 29 | M2836601 | Robur 'S' Single PHase Shaft w/ 3 Pivots |
| 30 | M28395 | Gear Reduction |
| 31 | M28395001 | Outer Reduction Gear |
| 32 | M28397 | Reduction Planet |
| 33 | M28255 | 4 X 4 X 14 Key |
| 34 | M28063 | Bearing, 6204 |
| 35 | S000TAA28/QQQ | 4M PLATE FOR ROBUR S |

| Desc. No. | Part Number | Description |
|-----------|---------------|---|
| 36 | Not available | |
| 37 | M28122 | Fork (Standard Doser) |
| 38 | Not available | |
| 39 | Not available | |
| 40 | M28166 | Two Pole Rotative Switch+ Aux On/Off/Start |
| 41 | S000ETA32/QQQ | SWITCH LABEL - O/I/START |
| 42 | M28166/RS | Aluminum Switch Knob w/ Insert Robur S, Major V |
| 43 | M28258006/RS | Pilot LED Light, 110v, Red |
| 44 | Not available | |
| 45 | Not available | |
| 46 | Not available | |
| 47 | Not available | |
| 48 | Not available | |
| 49 | Not available | |
| 50 | Not available | |
| 51 | TRAY/LG-RS | Robur S, Major V Drip Tray |
| 52 | M19058 | Capacitor 60 uF |
| 53 | M28903 | Terminal Blocks |
| 54 | M28904 | "Under" Terminal Blocks |
| 55 | M28258 | Standard Foot, Mini, Lux, Super Jolly, Major |
| 56 | Not available | |
| 57 | M5006601 | Capacitor Locking Clamp D.50 |
| 58 | Not available | |
| 59 | M30020 | Cable Locking, Black |
| 60 | M28346 | New Style, Relay for Robur / Kold |
| 61 | M19060 | Capacitor 80 uF |
| 62 | M28902 | Ground Plate |
| 63 | M30021 | Nut for Cable Locking |
| 64 | M30022 | Power Cable |
| 65 | M28905 | External Unipotential Clamp, Plate |
| 66 | M50066 | Capacitor Locking Clamp |
| 67 | M28341/NT | Contactator 110V/60 HZ 18 AMP (Large) |
| 68 | S000BC000/QQQ | RAIL FOR CONTACTOR |
| 69 | S00SCAP01/QQQ | KIT OF CAPS FOR GRINDING ADJUSTMENT DISK |



| Desc. No. | Part Number | Description |
|-----------|----------------|--|
| 1 | M28053003 | Doser Lid, Major V, Robur S Doser |
| 2 | M28051/Robur S | Cylinder Window, Inside window Robur S |
| 3 | S000CPD01/QQQ | DOSE ADJUSTMENT KNOB Cover |
| 4A | S000MAB02/BQQ | DOSE ADJUSTMENT KNOB |
| 4B | S000MAB03/BQQ | OVERSIZED DOSE ADJUSTMENT KNOB |
| 5 | M28300 | Upper Dosing Star, Super Jolly, Kony, Major V |
| 6 | M28323 | Coffee Outlet Cover Plate |
| 7 | M28301 | Female Dosing Star |
| 8 | M28218 | Dosing System Pressing Spring |
| 9 | M28302 | Male Dosing Star |
| 10 | S000BOC13/AQQ | RATCHET BUSH |
| 11 | M28240/A | Complete Upper Microswitch Auto, SJ KO RO MV S |
| 12 | S000TUA06/QQQ | DOSER PIPE FOR ROBUR S |
| 13 | S000TAA24/QQQ | MAZZER PLATE |
| 14 | S00SCOB02/AQQ | COMPLETE COUNTER |
| 15 | S000DIA01/AQQ | LOWER MICROSWITCH STAR SPACER |
| 16 | S000MOB06/QQQ | LOWER MICROSWITCH SPRING |
| 17 | S000STA05/QQQ | LOWER MICROSWITCH STAR |
| 18 | M28239 | Lower Micro Switch (MV too) |
| 19 | S000ANA01/QQQ | CORRUGATED RING D.32 MM. |
| 20 | S000CRA04/AQQ | RATCHET |
| 21 | M28394 | Doser Adjustment Screw M8X70 |
| 22 | M28126 | Doser Bottom Plate Complete |
| 23 | Not available | |
| 24 | S000CUA14/QQQ | BEARING 688 ZZ |
| 25 | M28220 | DOSING LEVER RETURN SPRING |
| 26 | S000FOA05/QQQ | DOSER BOTTOM |
| 27 | M28231 | Nose Spring |
| 28 | M28249000 | Nose/Accaido SS 304 |
| 29 | S000BOC12/QQQ | PLAIN BEARING FOR DOSER BOTTOM |
| 30 | S00SLEA08/QQQ | DOSING LEVER |
| 31 | Not available | |
| 32 | M28250 | Mazzer Coffee Outlet Guard (w/screws) |
| 33 | Not available | |
| 34 | Not available | |
| 35 | Not available | |

Adapted from Mazzer catalog ESRDOS 06.04.2021 by La Marzocco USA.

MAZZER LUIGI S.p.a
VIA MOGLIANESE, 113
30037 GARDIGIANO DI SCORZE' (VE)
ITALIA
mazzer.com/en/

LA MARZOCCO USA LLC
1553 NW BALLARD WAY
SEATTLE, WA 98107
USA
lamarzoccousa.com