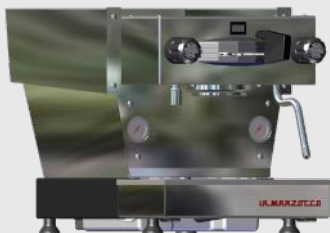


manual

manuel

linea mini 2023



la marzocco

handmade in florence

linea mini 2023

Operating Manual V1.0 - 09/2023



Chapters

1. Important Safeguards	page 3
2. General Information	page 5
3. Machine Description	page 8
4. Installation	page 9
5. Operation	page 13
6. Key Features	page 15
7. Preventative Maintenance and Cleaning	page 16
8. Installation Guide	page 18
9. Indicator light status	page 26



la marzocco

handmade in florence

La Marzocco S.r.l.

Via La Torre 14/H
Località La Torre
50038 Scarperia e San Piero
(Florence) - ITALY

www.lamarzocco.com
info@lamarzocco.com

T: +39 055 849 191
F: +39 055 849 1990

Original instructions verified by the
manufacturer.



Scan QR Code to view the complete
Software Programming Guide available on
the techcenter website.

Printed on recycled paper.

certifications available:





IMPORTANT SAFEGUARDS

When using electrical appliances, basic safety precautions should always be followed, including the following:

1. Read all instructions.
2. Do not touch hot surfaces.
Use handles or knobs.
3. To protect against fire, electric shock and injury to persons do not immerse cord, plugs, or electrical parts in water or other liquid.
4. Close supervision is necessary when any appliance is used by or near children.
5. Unplug from outlet when not in use and before cleaning. Allow to cool before putting on or taking off parts, and before cleaning the appliance.
6. Do not operate any appliance with a damaged cord or plug or after the appliance malfunctions, or has been damaged in any manner. Return appliance to the nearest authorized service facility for examination, repair or adjustment.
7. The use of accessory attachments not recommended by the appliance manufacturer may result in fire, electric shock or injury to persons.
8. Do not use outdoors.
9. Do not let cord hang over edge of table or counter, or touch hot surfaces.
10. Do not place on or near a hot gas or electric burner, or in a heated oven.
11. Always attach plug to appliance first, then plug cord into the wall outlet. To disconnect, turn any control

WARNING
SAVE THESE INSTRUCTIONS

IMPORTANT SAFEGUARDS

- | | | |
|---|--|--|
| <p>to “off,” then remove plug from wall outlet.</p> <p>12. Do not use appliance for other than intended use.</p> <p>13. Save these instructions.</p> <p>14. Use, cleaning and maintenance of this coffee machine are realized by people (including children more than 8 years of age) with reduced physical, sensory or mental capabilities, or lack of experience and knowledge, as long as they have been given supervision by a person responsible for</p> | <p>their safety and if they understand dangers.</p> <p>Children should be supervised to ensure that they do not play with the appliance.</p> <p>Keep the appliance and its cord out of the reach of children less than 8 years of age.</p> <p>15. The service area is restricted to persons having knowledge and practical experience of the appliance, in particular as far as safety and hygiene are concerned.</p> <p>16. Any modification to the</p> | <p>equipment is prohibited; the manufacturer cannot be held liable for damage to property, animals, and/or persons if the equipment undergoes technical and aesthetic changes, changes in performance and characteristics, and in general is tampered with in one or more of its constituent components.</p> <p>17. Do not immerse the coffee machine in water. It is an electrical appliance.</p> |
|---|--|--|

2. General Information

WARNING

The manufacturer declines any responsibility for any event leading to liability suits whenever grounding has not been completed according to current local, national, and international regulations and electrical codes, or other electrical parts have been connected improperly.

WARNING

This appliance is not intended for use by persons (including children) with reduced physical, sensory or mental capabilities, or lack of experience and knowledge, unless they have been given supervision or instruction concerning use of the appliance by a person responsible for their safety.

WARNING

The warranty will be void in case of:

- Incorrect use, not in accordance with the design purpose;
- Use of non-genuine spare parts;
- Power cord tampered with;
- Components tampered with;
- Repairs made by unauthorized personnel.

WARNING

Hazardous voltage disconnect from power supply before servicing.

WARNING

In order to prevent cracks or leakage: do not store or install the coffee machine in places where temperature may cause boiler or hydraulic system water freezing.

WARNING

The machine must be installed so that qualified technical personnel can easily access it for maintenance.

WARNING

To reduce the risk of injury, do not drape cord over the counter top where it can be pulled on by children or tripped over unintentionally.

Espresso coffee machine essentially made up of a brewing group of hot water for espresso coffee and a steam boiler that is able to supply steam and hot water for infusions.

This appliance is intended to be used for household and similar applications such as:

- staff kitchen areas in shops, offices and other working environments;
- farm houses;
- by clients in hotels, motels and other residential-type environments;
- bed & breakfast-type environments.

About this manual

This operating guide is an integral and essential part of the product and must be supplied to users. Users are asked to read the enclosed warnings and cautions carefully, as they provide valuable information concerning safety during installation, operation, and maintenance.

This manual must be kept in a safe place and be available for consultation to new and experienced users alike.

Remove machine from packaging

1) Ensure product's integrity by inspecting the packaging, making sure it presents no signs of damage which might have affected the enclosed machine.

2) Check the machine's integrity after having carefully removed the packaging. Packaging (boxes, plastic bags, foam parts and whatever else) must not be left within easy reach of children, due to the potential danger it represents, nor be discarded in the environment.

Safety instructions

1) Check to see that data on the rating plate corresponds to those of the main electrical supply to which the machine will be attached.

This equipment must be installed to comply with applicable federal, state or local plumbing codes.

2) The installation must be performed according to local electrical and plumbing codes and regulations. The installation also must comply to the manufacturer's instructions, and must be performed by qualified and authorized personnel.

3) Incorrect installation may cause injury/damages to people, animals or objects, for which the manufacturer shall not be held responsible.

4) Safe electrical operation of this device will be achieved only when the connection to the power outlet has been completed correctly and in observance of all local, national, and international electrical codes

and safety regulations, and particularly by grounding the unit. Make sure grounding has been done properly as it represents a fundamental safety requirement. Ensure qualified personnel check such connection.

5) Furthermore, you must ensure that the capacity of the available electrical system is suitable for the maximum power consumption indicated on the espresso machine.

6) We do not recommend using adapters, multiple plugs and/or extension cords. If you cannot avoid using them, make sure that they are exclusively of the kind which conforms to local, national, and international electrical codes and safety regulations, being careful not to exceed the power and current ratings indicated on such adapters and extension cords.

7) This device must be used exclusively for the functions it has been designed and built for. Any other application is inappropriate and dangerous.

The manufacturer shall not be held responsible for any damages caused by improper and/or irrational use.

8) Using any electrical device requires that certain fundamental rules be observed. In particular:

- do not touch the device with wet or moist hands and feet

- do not use the device while not wearing shoes
- do not use extension cords in bath or shower rooms
- do not unplug the device from the power outlet by pulling on the power supply cable
- do not expose the device to atmospheric agents
- do not allow children or untrained people to use this device

9) Before performing any maintenance and/or cleaning operations (other than back-flushing the group), turn the main switch to the “0” position, and disconnect the machine from the electrical network by unplugging the cord or by switching off the relative circuit breaker. For any cleaning operation, follow exclusively the instructions contained in this manual.

10) If the machine is operating in a faulty manner or stops working, disconnect it from the electrical network (as described in the preceding point). Do not attempt to repair it. Contact a qualified and authorized professional to perform any repair. Any repair must be performed exclusively by the manufacturer or by an authorized centre using only original parts. Non compliance with the above could compromise the safe operation of the machine.

11) In order to avoid dangerous overheating problems, it is recommended that the power supply cable be unfurled completely.

12) Do not obstruct air intake and exhaust grilles and, in particular, do not cover the cup warmer tray with cloths or other items.

13) The machine’s power supply cable must not be replaced by users. In case the power supply cable becomes damaged, shut off the machine and disconnect the machine from the electrical network by unplugging the power cord or switching off the relative circuit breaker and close off the water supply; to replace the power supply cord, contact qualified professionals exclusively.

14) These instructions are also available in an alternative format on a website <http://techcenter.lamarzocco.com>.

15) Minimum requirements for WiFi connection:

- device running Android version 6+ or iOS version 10+;
- wireless network 2.4 GHz;
- La Marzocco app available at the official stores Play Store and App Store.



Water specifications table

		Min.	Max.
T.D.S.	ppm	90	150
Total Hardness	ppm	70	100
Total Iron (Fe ⁺² /Fe ⁺³)	ppm	0	0,02
Free Chlorine (Cl ₂)	ppm	0	0,05
Total Chlorine (Cl ₂)	ppm	0	0,1
pH	value	6,5	8,5
Alkalinity	ppm	40	80
Chloride (Cl ⁻)	ppm	not more	30

N.B.: Test water quality (the warranty is void if water parameters are not within the range specified in the section “installation”)

3. Machine Description

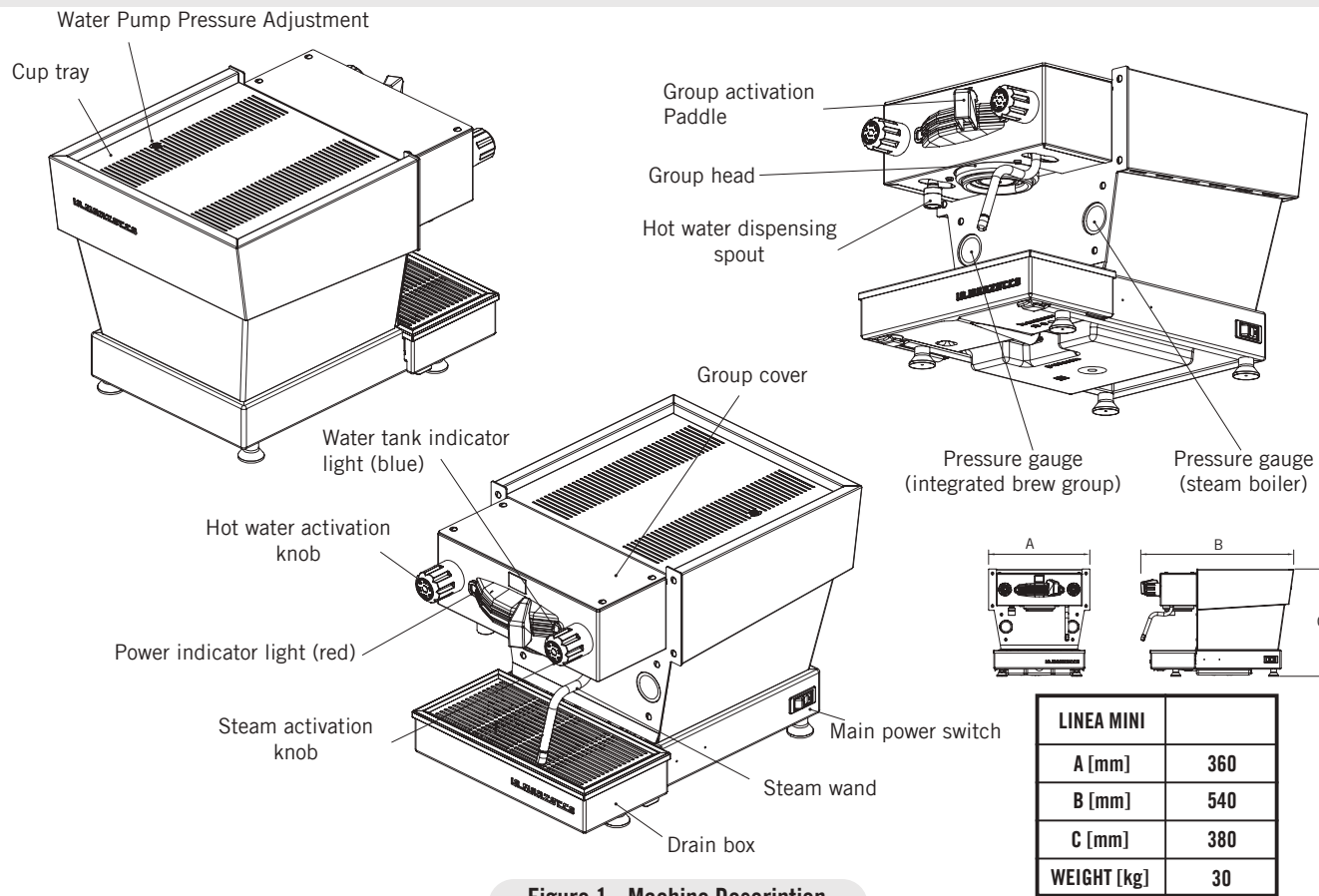


Figure 1 - Machine Description

LINEA MINI	
A [mm]	360
B [mm]	540
C [mm]	380
WEIGHT [kg]	30

4. Installation

WARNING

The coffee machine must be placed in a horizontal position on a counter higher than 90 cm from the ground.

WARNING

The expansion valve can discharge water as hot as 200°F / 93°C. Adequate protection for handling this component is needed before attempting to adjust.

WARNING

This machine is not suitable for outdoor use.

WARNING

The machine is intended to be permanently connected to mains power supply. It is mandatory that a residual current device (RCD) with a rated residual operating current not exceeding 30 mA is installed.

WARNING

This machine is designed to be used with an operating cycle of 100 ml of coffee, one minute of steam delivery, 100 ml of hot water, 1 minute OFF. A more intense use could cause the intervention of the protection device.

Note:

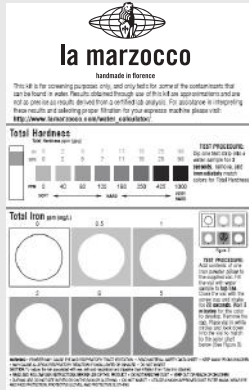
- Minimum room temperature: 5°C/41°F
- Maximum room temperature: 32°C/89°F
- The weighted sound pressure level of the machine is lower than 70dBA.
- This machine complies with the standard 61000-3-11, the impedance at the supply interface must be $Z_{max} = 0.356 \Omega$.

Espresso machine installation, linea mini

1) Fill water reservoir with potable water.

Once the espresso machine has been unpackaged, placed on a hard surface. Remove the drain tray and slide the water reservoir until the water reservoir fill cover is accessible. Remove the cover and fill water reservoir with potable water. Replace the fill cover and slide the water reservoir to the operating position and replace the drain tray. In order to connect the machine up to the water mains proceed according to the indications given in the Installation Guide and in compliance with any local/national safety standards of the location in which the machine is being installed.

To guarantee a correct and safe functioning of the machine and to maintain an adequate performance level and a high quality of the beverages being brewed it is important that the incoming water be of a hardness greater than 7°f (70ppm, 4°d) and less than 10°f (100ppm, 6°d), pH should be between 6.5 and 8.5 and the quantity of chlorides be less than 30mg/l. Respecting these values allows the machine to operate at maximum efficiency. If these parameters are not present, a specific filtration device should be installed, while always adhering to the local national standards in place regarding potable water.



In order to enable you to check if your water supply is within the suggested ranges, La Marzocco machines will be equipped with a quick water test kit (see image below) including 6 test-strips and instruction cards.

The parameters that you can measure are Total Hardness, Total Iron, Free Chlorine, Total Chlorine, pH & Total Alkalinity, Chlorides.

Ideally, you should perform a test on the water BEFORE the water treatment system and again AFTER the water system in order to verify if this is actually matching our suggested ranges.

Once the test has been performed, learn which treatment system is most appropriate for your particular water supply by filling out the online water calculator on our website: LA MARZOCCO WATER CALCULATOR (http://www.lamarzocco.com/water_calculator/).

2) Connect espresso machine to power supply.

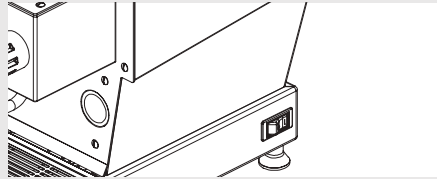
Connect the espresso machine to a power supply that is rated in accordance with the 10

serial plate on the espresso machine.

3) Filling the boilers with water.

Complete the following steps to properly fill the boiler tanks:

Steam boiler: Turn the main switch to position “1”, the steam boiler will then automatically fill to a predetermined level. When the correct water level in the steam boiler is reached, the machine will automatically stop filling.



NOTE: It may be necessary to re-fill the water reservoir during this process.

Integrated brew group: The water flows inside the Integrated brew group directly when the water pump is activated. When the linea mini is turned on the electronics will activate the water pump to fill both boilers.

4) Verify filling of boilers.

The installation is now complete and the espresso machine should be heating to the operating temperatures.

Brewing after first installation

Once the first installation procedures are finished, before proceeding with brewing coffee, hot water and steam, please follow these steps:

- Engage the portafilter by inserting it into the group head and rotate the handle from left to right. Once the portafilter is inserted properly, you can move the paddle on the left side to start the flow of water through the portafilter. Brew water through the group for at least two minutes.

- Being careful to avoid burns, turn on steam wand for at least one minute.
- Turn on the hot water valve for the time necessary to allow at least 1 liter of water to be brewed.

5) Waiting for the espresso machine to heat to operating temperature.

During this time, the pointer of the Integrated brew group pressure gauge may reach as high as 12 bar. This may happen anytime that the heating element is in the “on” condition. If the pressure exceeds 12 bar then it will be necessary to adjust the expansion valve in such a manner that the pressure never exceeds 12 bar.

In normal operating conditions, the Integrated brew group pressure gauge can read anywhere from 0-12 bar. When brewing, the pressure should be set to

approximately 9 bar.

The machine is ready to brew water when the power indicator light (red) is ON.

When the machine is warming up the power indicator light (red) is flashing.

NOTE: As the steam boiler reaches operating temperature you may hear air and steam escaping from the boiler. This is a normal sound. As the water boils, air in the boiler is replaced by steam and exits through the vacuum breaker. As the boiler get closer to operating temperature the vacuum breaker closes and the steam is no longer able to escape. This process allows the air in the steam boiler to escape and to be replaced by water vapor.

6) Machine plate:

Machine CE plate



Machine ETL plate



Machine KC plate



7) FCC certification (U.S.A. and CANADA only).

This equipment has been tested and found to comply with the limits for a Class B digital device, pursuant to part 15 of the FCC Rules. These limits are designed to provide reasonable protection against harmful interference in a residential installation. This equipment generates, uses and can radiate radio frequency energy and, if not installed and used in accordance with the instructions, may cause harmful interference to radio

communications. However, there is no guarantee that interference will not occur in a particular installation. If this equipment does cause harmful interference to radio or television reception, which can be determined by turning the equipment off and on, the user is encouraged to try to correct the interference by one or more of the following measures:

- Reorient or relocate the receiving antenna.
 - Increase the separation between the equipment and receiver.
 - Connect the equipment into an outlet on a circuit different from that to which the receiver is connected.
 - Consult the dealer or an experienced radio/TV technician for help.
- The espresso machine is equipped with a dedicated radio module that meets FCC and ISSED certification requirements.

Changes or modifications not expressly approved by the party responsible for compliance could void the user's authority to operate the equipment

FCC ID: 2AZUJ-SYS-C60-LMC1
IC ID: 27093-SYSC60LMC1

8) Adjusting water pump pressure.

The water pump is factory set at 9 bar pressure. If it becomes necessary to change the pressure please use the following procedure:

1. Locate the water pump adjustment screw and loosen the lock nut.

2. Adjust the water pump pressure to the desired measurement.
3. Rotate clockwise to increase pressure and counter-clockwise to reduce pressure.

WARNING

The water pump pressure should be adjusted when the machine is operating and there is coffee in the filter-holder. Reduce this operation to the bare minimum.

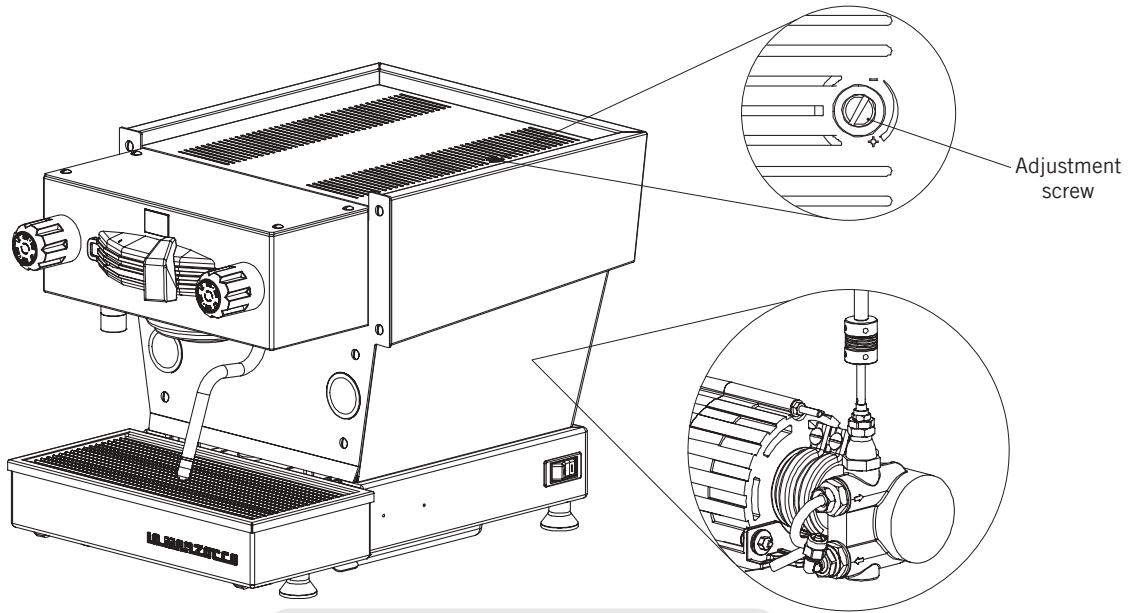


Figure 2 - Water Pump Pressure Adjustment

5. Operation

WARNING

The integrated brew group and steam boiler contain water at elevated temperature. Water temperature over 125°F / 52°C can cause severe burns instantly or death from scalding (integrated brew group 200°F/93.3°C - steam boiler 260°F / 127°C).

WARNING

The machine must not be dipped in, nor splashed with, water in order to clean it. For cleaning operations, please follow the instructions listed below very carefully.

WARNING

This machine is designed only for preparing coffee and hot drinks.

WARNING

To avoid the risk of injury, do not open the brew chamber during the brew process.

1. Installing the portafilter.

Install the portafilter by inserting it into the integrated brew group and rotate the handle from left to right. Once the portafilter is inserted properly, you can move the paddle handle from right to left to start the flow of water through the portafilter. It is important that the portafilter is at operating temperature prior to filling with coffee.

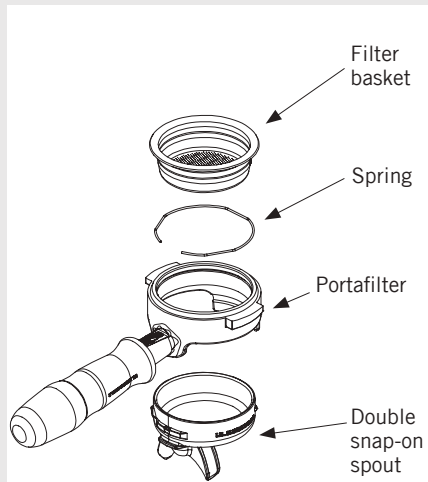


Figure 3 - Portafilter

Allow hot water to pass through the empty portafilter for a few seconds before the brewing process to pre-heat the portafilter.

NOTE: It is important to leave the portafilter locked in the espresso machine when not in use. The portafilter must remain heated for the brewing process to function correctly.

2. Brewing coffee. It is now possible to remove the portafilter to make a coffee beverage. Place some ground coffee in the portafilter basket using the single or double basket. Press down on the ground coffee with the supplied tamper and install the portafilter on the linea mini. Move the paddle handle from right to left to begin brewing (see Fig.1 page 8).

With the La Marzocco App it is possible to adjust the temperature of the coffee brewing water.

It is recommended to wait for a few seconds until the desired temperature is achieved.

If you want to decrease the temperature, it is recommended to dispense water from the group for a few seconds to speed up the process.

NOTE: Some users believe it is important to allow water to pass through the integrated brew group prior to installing the portafilter to flush any remaining coffee oils and particles from the integrated brew group. Some also flush just after brewing for the same reason. Please experiment to make the best possible procedure for your coffee. There are many techniques for brewing espresso. You can find instructions for many techniques on websites, blogs and forums.

3. Dispensing steam.

In order to allow for any condensed water in the wand to be released ALWAYS allow some steam to be discharged by turning on the valve before inserting the steam wand into the pitcher of liquid to be heated. Dip the steam wand into the liquid to be heated. Rotate the steam knob to activate the steaming process.

The steam valve has a variable flow control. The steam will transfer heat to the liquid raising its temperature. Be careful not to allow liquid to overflow in order to avoid severe burns.

Steaming milk for cappuccinos and other beverages is very easy but making it just right requires some skill. Please experiment with various techniques to find the best method for your milk. You can find many discussions about the steaming of milk on the internet.

NOTE: It is important to have a sufficient volume of liquid in the steaming pitcher.

Therefore if you intend to steam small amounts of milk it is necessary to use a small pitcher. If you intend to steam larger quantities of milk then it is necessary to use a larger steaming pitcher. Using too little milk in a steaming pitcher can allow the milk to be “blown out” of the pitcher. A good rule to follow is to fill the steaming pitcher only half full of liquid.

NOTE: In order to prevent the heated liquid from being sucked back into the steam boiler it is recommended that you purge the steam system after heating any liquid. Purge the system by opening the steam valve for a few seconds to allow steam to escape to the atmosphere from the end of the steam wand.

4. Dispensing hot water.

You may dispense hot water by using the hot water nozzle. To dispense hot water rotate the left knob (see Fig.4 page 14).

This knob commands the hot water delivery.

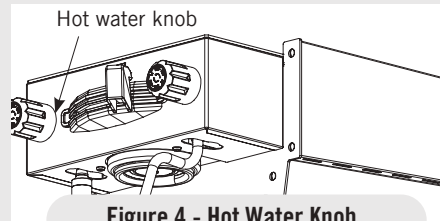


Figure 4 - Hot Water Knob

5. Connect/disconnect the coffee machine to/from the WiFi network.

Use the app for the first connection to your WiFi network.

Subsequently, when the coffee machine is turned on, it will automatically connect to the WiFi network.

For disconnecting the coffee machine from the WiFi network, remove the water tank, make sure that the blue LED flashes, operate 5 consecutive times the paddle lever within a time of 10 seconds. Now the machine is disconnected.

To restore the connection of the machine, just turn it on again using the switch.

6. Activation of the flush function.

The flush function is activated by operating the lever shown in figure 5, turning it from the dispensing position to the deactivation position within 1 second. The machine will dispense hot water for a certain number of seconds (the default setting is 5 seconds, but this can be changed via App).

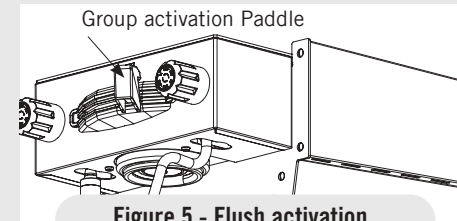


Figure 5 - Flush activation

WARNING

If the above-mentioned instructions are not adhered to the manufacturer cannot be held responsible for damage to persons or things.

1. Hot water dispensing.

Hot water may be dispensed from the Hot Water Wand on the left side of the machine. This is accomplished by rotating the left knob (see Fig.6 page 14).

2. General notes for coffee preparation.

The portafilters must remain heated since they are at the lowest position of the group itself, and they are partially isolated from the group due to the rubber gasket between them. This can be accomplished by leaving the portafilters installed in the machine when not in use. The portafilter may also be actively heated by rotating group activation paddle to flush hot water through the portafilter then turning off the water flow.

3. Coffee grind.

The size of the coffee granules is extremely important in preparing a good cup of coffee, along with the type of coffee blend used. The ideal grind can be determined by making various coffees using the amount of ground coffee that you would normally use for each cup (we recommend at least 6g). The best grind is that which allows coffee to flow out from the portafilter spouts neither too slowly, drop by drop, nor too quickly. A general rule is that a double dose should dispense approximately 60ml/ 2 fluid oz. of espresso in approximately 25 seconds. This time may be adjusted by varying the coarseness of the grind.

N.B.

If the machine has not been used for more than 8 hours or, in any case, after long periods of being idle, in order to use the machine to its full potential it is necessary to perform some cleaning cycles before brewing beverages as follows:

- Group: with the portafilter engaged in the group brew water through it for at least two minutes.

- Being careful to avoid burns, turn on the steam wand for at least one minute.
- Turn on the hot water valve for the time necessary to allow 1 liter of water to be brewed.
- If using the machine with water reservoir, change the water in the reservoir daily.

If the machine is not going to be used for long periods of time, it is advisable to follow these safety indications:

- Disconnect the machine from the water mains or interrupt the water connection via a mains tap.
- Disconnect the machine from the electrical mains.

7. Preventative Maintenance and Cleaning

WARNING

Jets of water should not be used to clean the machine, nor should it be placed where water jets are used.

WARNING

Do not remove the filter holder while relative group is brewing hot liquids. The integrated brew group contains water at elevated temperature. Water temperature over 125°F / 52°C can cause severe burns instantly or death from scalding.

WARNING

The machine must not be dipped in, nor splashed with water in order to clean it. For cleaning operations, please follow the instructions very carefully.

WARNING

The expansion valve can discharge water as hot as 200°F / 93°C. Adequate protection for handling this component is needed before attempting to adjust.

WARNING

This machine is designed only for preparing coffee and hot drinks.

Cleaning (Daily)

1. Cleaning the diffuser screen and diffuser screw.

During the discharge operation (subsequent to coffee brewing), small amounts of coffee grounds may slowly build-up on and obstruct, even partially, the diffuser screen. Turn off the machine and remove the diffuser screen by unscrewing the diffuser screw. Soak in detergent powder liquid following the instructions of detergent manufacturer. Rinse thoroughly with clean water puro caff. Install and run hot water through the group head several times with the screen installed.

2. Cleaning the brewing system.

Insert the blank basket into to the portafilter and put the correct amount of espresso cleaning product (following the product's instructions) into the filter, engage the portafilter into the Integrated Brew Group.

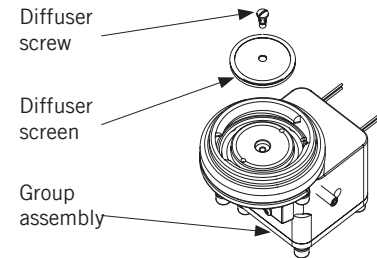


Figure 5 - Integrated Brew Group

- Move the group activation paddle for said group, as if you were making a regular cup of coffee. Stop the water after about 15-20 seconds.
- Start and stop the group several times until you notice clear water being released instead of soapy water when you remove the portafilter. Do not remove the portafilter when group is dispensing water.
- Rinse the group using a normal filter in the portafilter, by running hot water through it several times.

3. Cleaning the body.

Wipe the stainless steel surfaces with a soft, non abrasive cloth in the direction of the glazing marks, if any. Do not use any alcohol or solvents whatsoever on painted, imprinted, or plastic parts in order not to damage them. Clean the side panels using a soft cloth. Clean only with a damp soft cloth or possibly soaked in warm water and mild soap.

4. Cleaning the steam nozzles.

Steam nozzles must be cleaned immediately after use with a damp cloth and by producing a short burst of steam so as to prevent the formation of deposits inside the nozzles themselves, which may alter the flavor of other drinks to be heated. If milk residue is present on the steam wand, soak the tip in a container of hot water, then it will be possible to wipe the tip clean. Repeat process if residue remains.

5. Cleaning the hot water nozzles.

Hot water nozzles must be cleaned periodically with a damp cloth soaked in water and/or mild soap.

NOTE: This cleaning schedule is based upon a moderate to average use (5-20) cups per day. If machine use is less than moderate then this schedule may be adjusted accordingly.

6. Clean the water reservoir and the drain

box: The water reservoir needs to be cleaned periodically to ensure that no algae forms on the inside surfaces. To clean, first remove the water reservoir from the machine. Disconnect the clear plastic water intake hose. Hand wash each part with water containing mild soap.

7. Steam boiler draining.

Yearly, we recommend to fully drain the steam boiler by means of the specific drain cock located on the side of the boiler or under the boiler.

Cleaning frequency

Daily

- Portafilter
- Filter
- Diffuser screen
- Diffuser screw
- Steam wand (just after use)
- Drain grille

Weekly

- Water Reservoir
- Drain Box

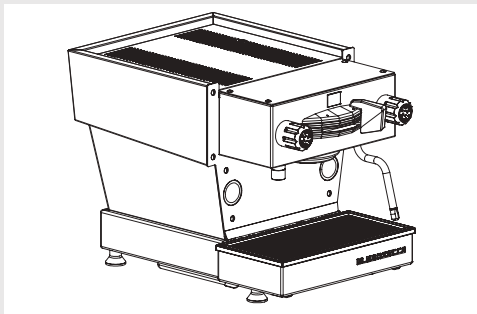
Monthly

- Cleaning the hot water nozzle

N.B.: For details about cleaning, refer to the quick start guide on the website

8. Installation Guide

- | | | | |
|---|---------|---------------------------------------|---------|
| 1. Unpack linea mini Espresso Machine | page 19 | 7. Monitor steam boiler pressure | page 23 |
| 2. Fill with water (initial fill) | page 19 | 8. Brew espresso | page 24 |
| 3. Drain box alignment | page 20 | 9. Verify working boiler pressures | page 24 |
| 4. Connect to power supply | page 20 | 10. Integrated brew group temperature | page 25 |
| 5. Turn on main power | page 21 | 11. Steam boiler temperature | page 25 |
| 6. Monitor integrated brew group pressure | page 22 | | |

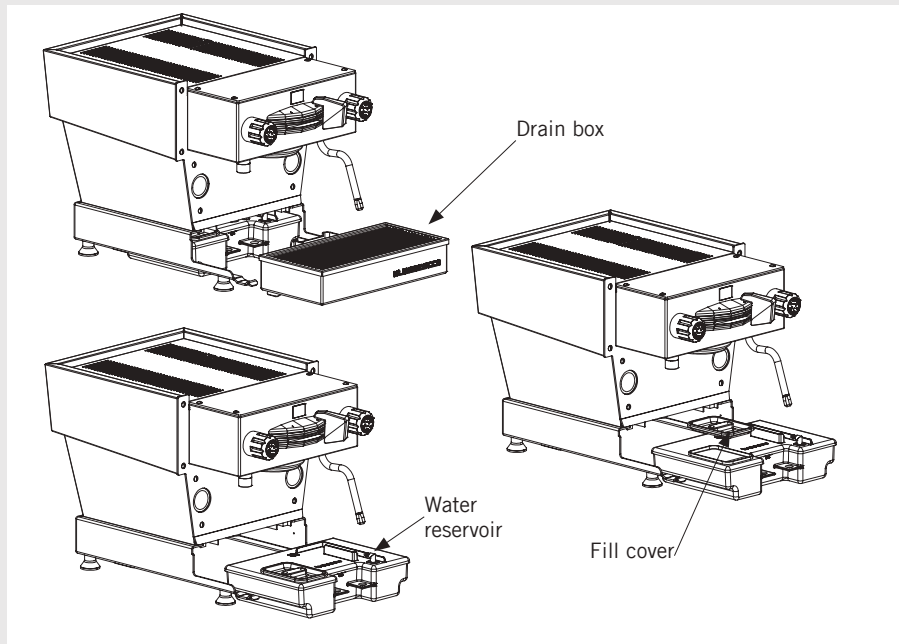


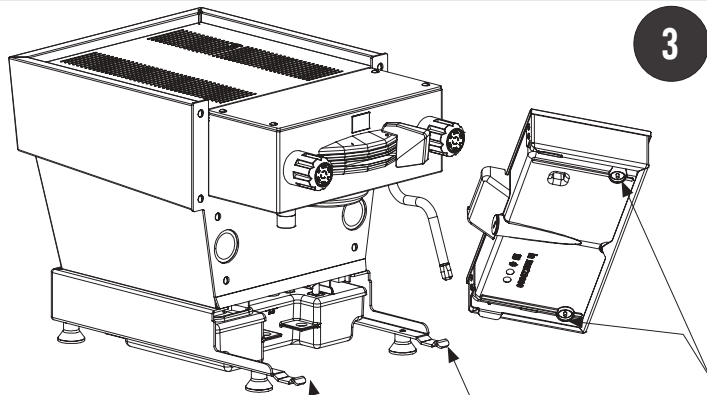
1 Unpack espresso machine and set on a level surface. Ensure all accessories are included with shipment. Check for any visible damage to espresso machine.

▲ WARNING ▲
The coffee machine must be placed in a horizontal position on a counter higher than 90 cm from the ground.

2 Remove/Open the fill cover and fill the reservoir with filtered water. Slide the reservoir back into position and replace the drain box. Make sure the drain box is inserted fully. The water reservoir must make contact with the level indicators on the rear side.

NOTE: The linea mini is configured to work with the water reservoir.





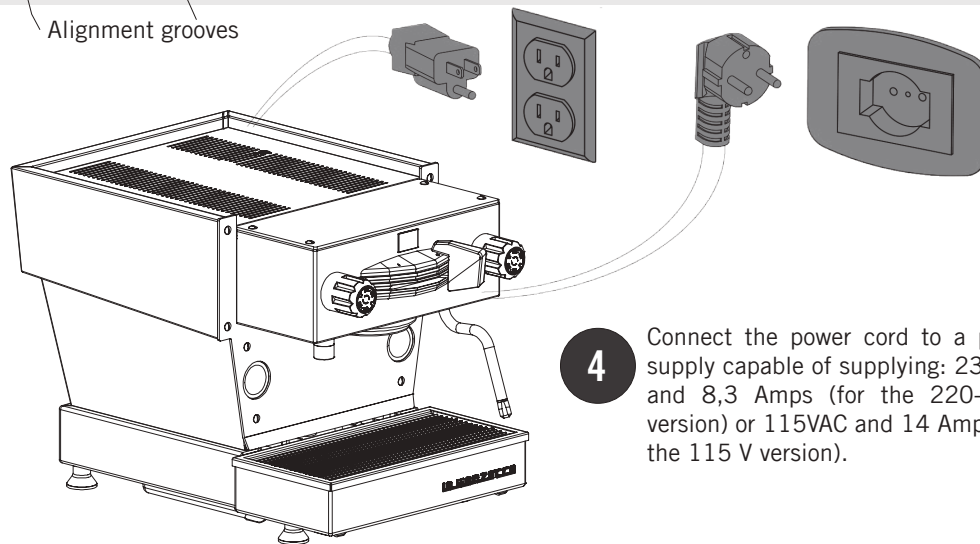
3

IMPORTANT NOTE:

The drain box must be installed correctly for the machine to function properly. The drain box has two magnets that mate with two alignment grooves on the base of the linea mini. When installing the drain box, ensure that the alignment magnets are inserted into the alignment grooves. It may be necessary to push slightly on the front of the drain box to achieve proper alignment.

When the machine is ON and the water tank is full, the water reservoir indicator light (blue) is ON; if the water tank is empty the water reservoir indicator light (blue) is flashing.

Alignment magnets and grooves

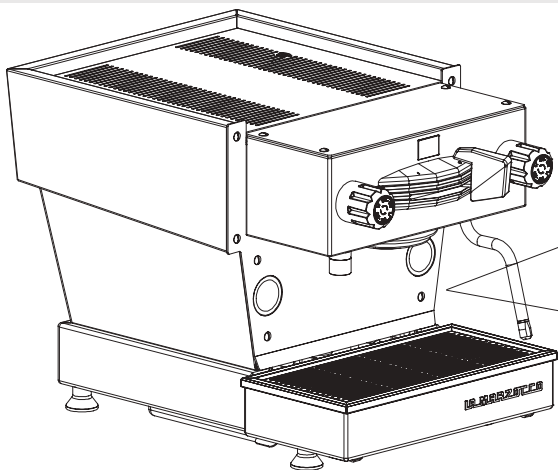


4

Connect the power cord to a power supply capable of supplying: 230VAC and 8,3 Amps (for the 220-240V version) or 115VAC and 14 Amps (for the 115 V version).

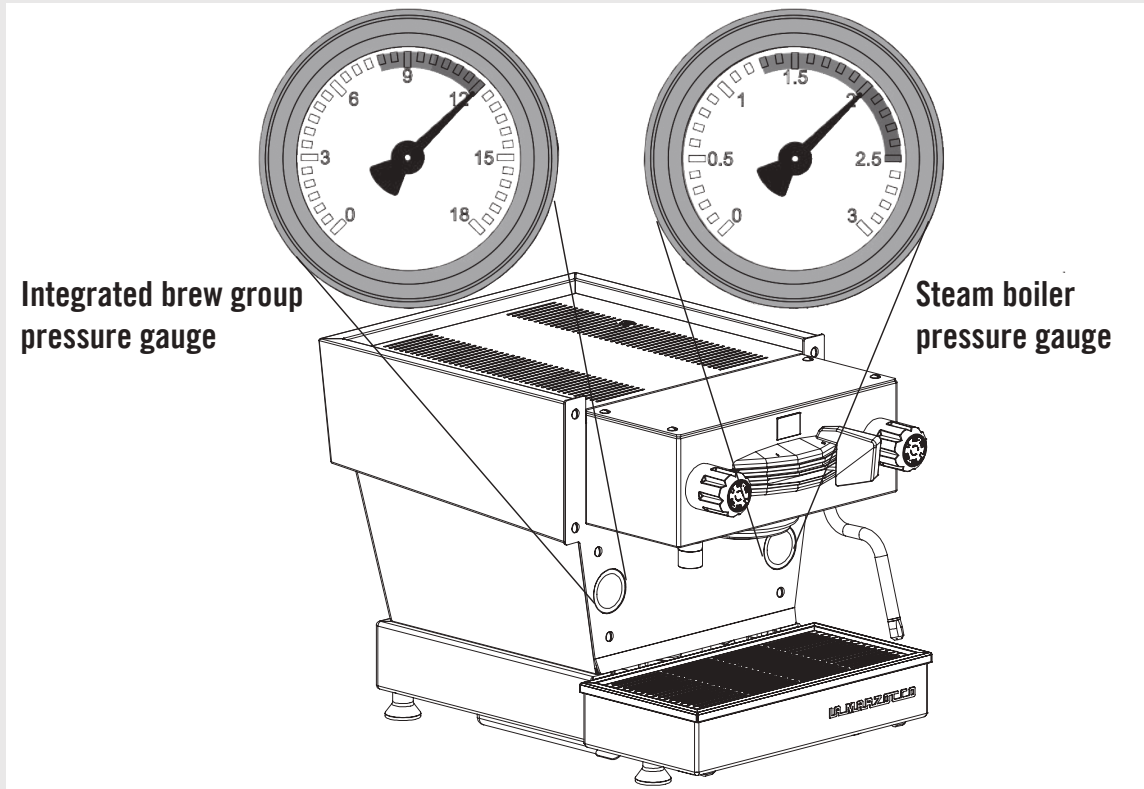
5

Turn on power by pressing the main power switch. The main power switch may be found on the right rear of the machine.



WARNING

The manufacturer declines any responsibility for any event leading to liability suits whenever grounding has not been completed according to current local, national, and international regulations and electrical codes, or if other electrical parts have been connected improperly.

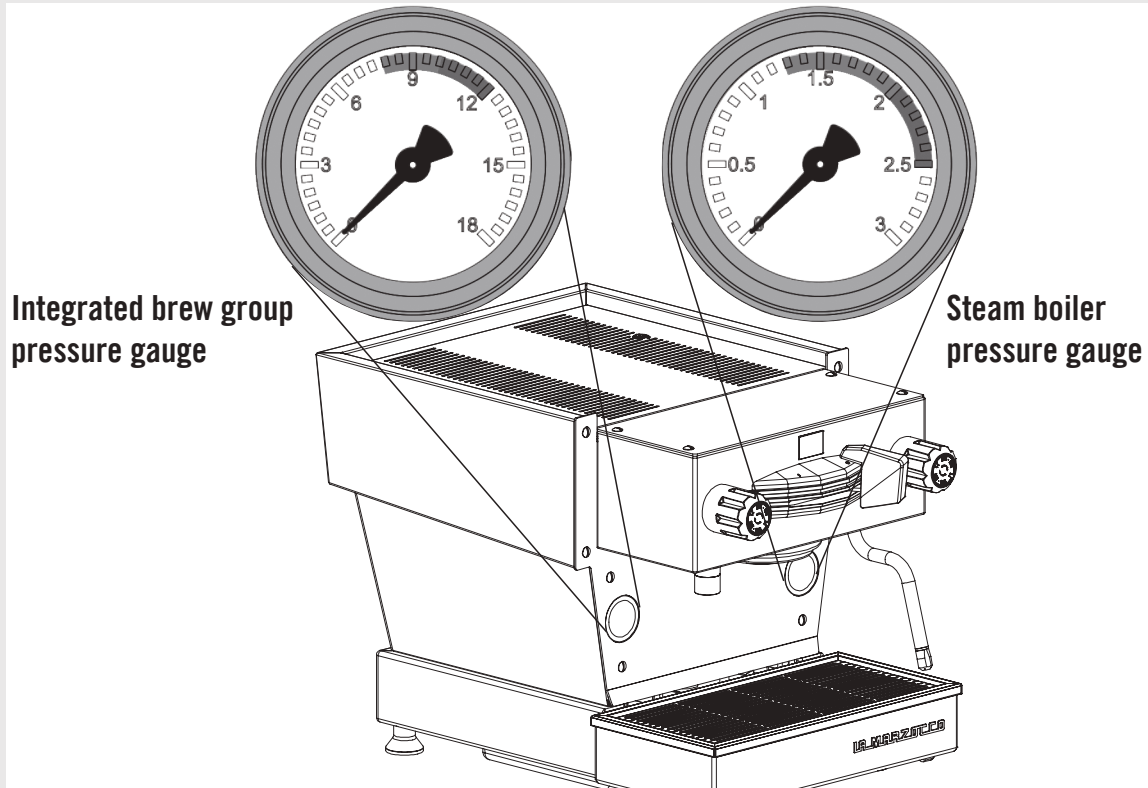


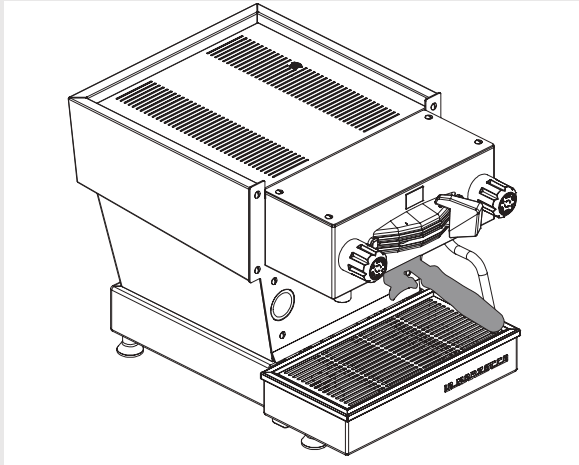
6

Next it will be necessary to check the expansion valve. As the integrated brew group heats to operating temperature the pressure in the integrated brew group will rise. There is an expansion valve behind the drain tray that allows some water to escape during this process to limit the maximum pressure in the integrated brew group to 12 bar. Please monitor the integrated brew group pressure gauge during the initial heating process. You should notice the gauge approach 12 bar and stop. If the pressure gauge does not reach 12 bar or if the pressure gauge rises above 12 bar, then it will be necessary to adjust the expansion valve. Please follow the next step to properly adjust the expansion valve.

7

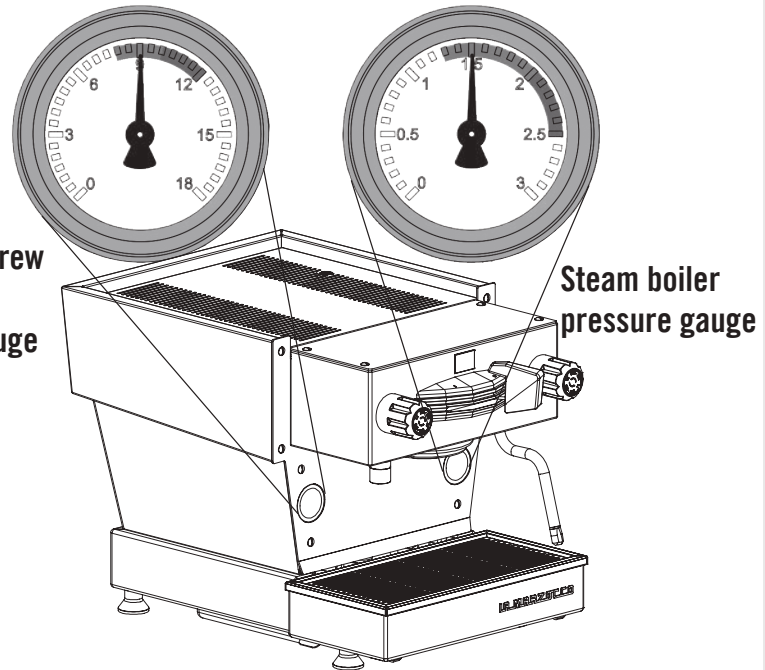
You may also monitor the steam boiler heating progress by watching the steam boiler pressure gauge. The steam boiler is set at approximately 2.0 Bar of pressure at the factory. Once the pressure gauge reaches this point the heating will stop.





8

When the espresso machine is ready, (red indicator light ON) place ground coffee into the portafilter and activate the brewing process.

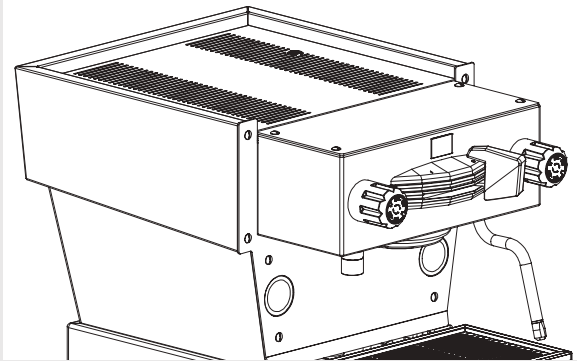


Integrated brew group pressure gauge

Steam boiler pressure gauge

9

When brewing, the integrated brew group pressure should be between 8-10 bar. The steam boiler pressure should be set at 2 bar but can operate at any setting between 1.3 bar and 2 bar.



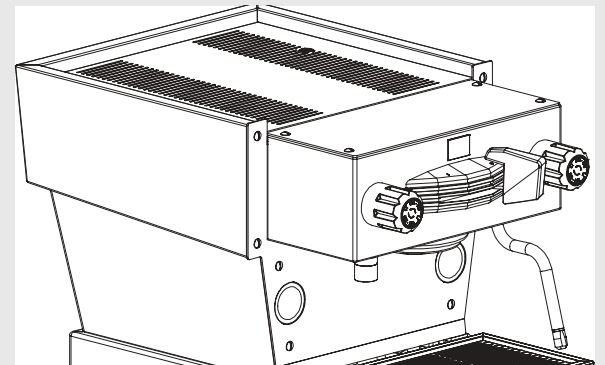
10

The temperature of the brewing water is measured at the most critical point in the Coffee group where temperature fluctuation is the greatest.

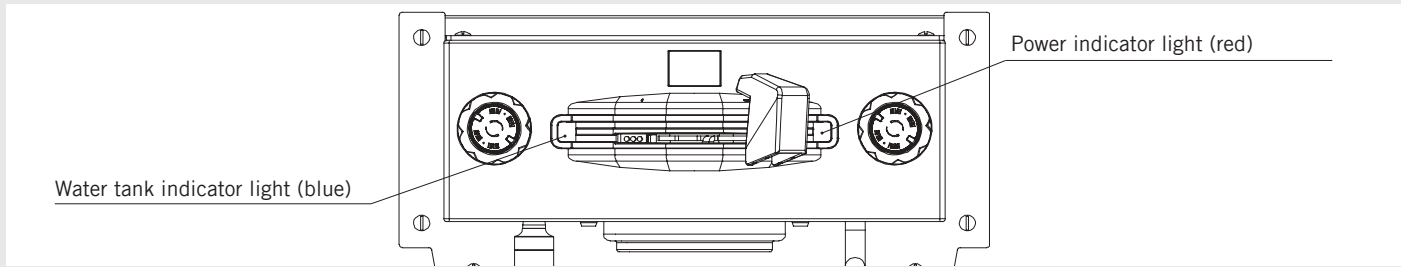
This parameter is set at the factory at a preset nominal temperature.

11

With the La Marzocco App you can adjust the pressure of the steam boiler.



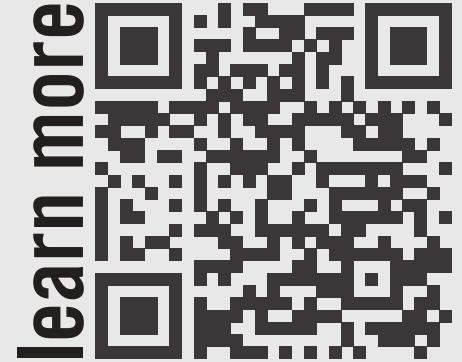
Indicator light status



Status	Message	Status	Message
	Red indicator light flashing 0,5 second on, 0,5 second off: - Machine heating.		Red indicator light flashing 5,7 seconds off, 0,3 second on and blue indicator light off: - Machine in stand-by.
	Red indicator light flashing 3 seconds on, 1 second off: - Machine at operating temperature and disconnected from the WiFi network.		Blue indicator light flashing 0,5 second on, 0,5 second off: - Low water level or no tank.
	Red and blue indicator light on: - Machine at operating temperature and connected to the WiFi network.		Blue indicator light on: - Water present in the tank.
	Red and blue indicator light on, barista lights on: - The machine is dispensing the beverage, the shot timer starts timing and the barista lights will go out 3 seconds after the end of dispensing.		Red indicator fast light flashing: - The machine is updating the firmware and the shot timer displays the progress as a percentage.



**hello
this coffee machine
is connectable.**



linea mini 2023

Mode d'emploi V1.0 - 09/2023

Chapitres

- | | |
|-------------------------------------|---------|
| 1. Clauses de Sécurité Importantes | page 3 |
| 2. Informations Générales | page 5 |
| 3. Description de la Machine | page 8 |
| 4. Installation | page 9 |
| 5. Fonctionnement | page 13 |
| 6. Caractéristiques Principales | page 15 |
| 7. Entretien Préventif et Nettoyage | page 16 |
| 8. Guide d'Installation | page 18 |
| 9. État des voyants lumineux | page 26 |



la marzocco

handmade in florence

La Marzocco S.r.l.

Via La Torre 14/H
Località La Torre
50038 Scarperia e San Piero
(Florence) - ITALY

www.lamarzocco.com
info@lamarzocco.com

T : +39 055 849 191
F : +39 055 849 1990

Instructions d'origine vérifiées par le fabricant.



Scannez le code QR pour afficher le Guide complet de Programmation du Logiciel disponible sur le site Internet de Techcenter.

Imprimé sur du papier recyclé.

FR

certifications disponibles:



ATTENTION
ENREGISTRER CES INSTRUCTIONS

CLAUSES DE SÉCURITÉ IMPORTANTES

Lorsque vous utilisez des appareils électriques, vous devez toujours observer des précautions de sécurité, qui incluent ce qui suit :

1. Lire toutes les instructions.
2. Ne pas toucher de surfaces chaudes. Utiliser des poignées ou des boutons.
3. Pour protéger les personnes des incendies, chocs électriques et blessures, ne pas immerger les cordons, prises dans l'eau ou un autre liquide.
4. Une étroite supervision est nécessaire en cas d'utilisation de l'appareil par des enfants ou près de ces derniers.
5. Débrancher de la prise secteur s'il n'est pas utilisé et avant de le nettoyer. Laisser refroidir l'appareil avant de mettre ou d'enlever des pièces, et avant de le nettoyer.
6. Ne pas faire fonctionner l'appareil avec un cordon ou une prise endommagée ou après que l'appareil ait mal fonctionné, ou ait été endommagée de quelque manière que ce soit. Retourner l'appareil à l'atelier de service le plus proche afin qu'il soit examiné, réparé ou réglé.
7. L'utilisation d'accessoires non recommandée par le fabricant de l'appareil peut entraîner un incendie, un choc électrique ou une blessure à la personne.
8. Ne pas utiliser à l'extérieur.
9. Ne pas laisser le cordon dépasser sur le côté d'une table ou d'un comptoir, ni toucher des surfaces chaudes.
10. Ne pas placer sur ou à côté d'un brûleur à gaz ou électrique chaud, ni dans un four chaud.

ATTENTION
ENREGISTRER CES INSTRUCTIONS

CLAUSES DE SÉCURITÉ IMPORTANTES

11. Toujours brancher l'appareil en premier avant de le raccorder à la prise secteur. Pour déconnecter, mettre tous les boutons sur « off » (arrêt), puis débrancher la fiche de la prise murale.
12. Ne pas utiliser l'appareil à des fins autres que celles pour lesquelles il a été conçu.
13. Conserver ces instructions
14. L'utilisation, le nettoyage et l'entretien de cette machine à café ne doivent pas être réalisés par des personnes (y compris les enfants de plus de 8 ans) inexpérimentées ou dont les capacités physiques, sensorielles ou mentales sont réduites, sauf si celles-ci sont sous la surveillance ou ont reçu les instructions d'utilisation appropriées de la personne responsable de leur sécurité et si elles comprennent les dangers. Les enfants doivent être surveillés pour s'assurer qu'ils ne jouent avec l'appareil. Conserver l'appareil et son cordon hors de la portée des enfants de moins de 8 ans.
15. La zone de service est limitée aux personnes ayant une connaissance et une expérience pratique de l'appareil, en particulier en ce qui concerne la sécurité et l'hygiène.
16. Toute modification de l'équipement est interdite ; le fabricant ne peut être tenu responsable des dommages aux biens, aux animaux et/ou aux personnes, en cas de modifications techniques et esthétiques, ou de changements de performances et de caractéristiques de l'équipement et, d'une manière générale, en cas d'altération d'un ou de plusieurs de ses éléments constitutifs.
17. Ne pas immerger la machine à café dans l'eau. Il s'agit d'un appareil électrique.



2. Informations Générales

ATTENTION

Le constructeur décline toute responsabilité en cas d'événements aboutissant à des poursuites en responsabilité civile si la mise à la terre n'a pas été effectuée conformément aux réglementations ou aux codes de l'électricité locaux, nationaux, et internationaux en vigueur, ou si d'autres pièces électriques ont été raccordées de manière incorrecte.

ATTENTION

Cet appareil n'est pas prévu pour être utilisé par des personnes (y compris les enfants) avec des capacités physiques, sensorielles ou mentales réduites, ou sans expérience et connaissance, à moins qu'elles ne soient surveillées ou aient reçu des instructions concernant l'utilisation de l'appareil par une personne responsable de leur sécurité.

ATTENTION

La garantie sera nulle en cas de :

- Utilisation incorrecte, non conforme au but de conception ;
- Utilisation de pièces de rechange non originales ;
- Cordon d'alimentation altéré ;
- Composant altérés ;
- Réparations effectuées par du personnel non autorisé.

ATTENTION

Tension dangereuse débrancher de l'alimentation électrique avant de procéder à l'entretien.

ATTENTION

Afin de prévenir les fêlures ou les fuites: ne pas entreposer ou installer la machine à café dans des endroits où la température peut geler l'eau dans la chaudière ou dans le système hydraulique.

ATTENTION

Afin de réduire les risques de blessure, ne pas poser le cordon sur un plan de travail où il pourrait être tiré par des enfants ou faire trébucher involontairement.

ATTENTION

Cette machine doit être installée de façon à ce que le personnel technique puisse facilement y accéder pour l'entretien.

La machine à café espresso se compose principalement d'un groupe de distribution de l'eau chaude pour le café espresso et d'une bouilloire à vapeur qui peut fournir la vapeur et l'eau chaude pour les infusions.

Cet appareil est principalement destiné à être utilisé pour des applications d'électroménager et des applications semblables telles que:

- zones de cuisine du personnel dans des boutiques, bureaux et autres environnements de travail;
- maisons de campagne;
- par des clients d'hôtels, de motels et autres environnements de type résidentiel;
- environnements de bed & breakfast.

À propos du manuel

1) Cette notice de fonctionnement fait partie intégrante et essentielle du produit et doit donc être fournies à tous les utilisateurs. Les utilisateurs sont priés de lire attentivement les indications et les mises en garde ci-jointes car elles fournissent des informations importantes sur la sécurité pendant l'installation, le fonctionnement et l'entretien.

Ce manuel doit être conservé dans un endroit sûr de façon à pouvoir être consulté tant par les utilisateurs inexperts que par ceux qui connaissent déjà le fonctionnement du produit.

Déballer la machine

1) S'assurer que le produit soit intact en examinant l'emballage et en veillant à ce que celui-ci ne porte aucun signe

d'endommagement qui aurait pu affecter la machine à l'intérieur.

2) Vérifier l'intégrité de la machine après avoir soigneusement enlevé l'emballage.

L'emballage (boîtes, sacs en plastique, parties en mousse et autres) ne doit pas être laissé à la portée des enfants, en raison du danger potentiel qu'il représente, ni être dispersé dans l'environnement.

Mesures de sécurité

1) Vérifier que les données reportées sur la plaquette signalétique du produit correspondent à celles de l'installation électrique à laquelle sera raccordée la machine.

Cet appareil doit être installé conformément aux codes de plomberie fédéraux, nationaux ou locaux en vigueur.

2) L'installation de la machine doit se faire conformément aux règlements électriques et hydrauliques locaux. L'installation doit en outre être effectuée selon les instructions du fabricant et doit être effectuée par du personnel technique agréé et qualifié.

3) Une installation incorrecte peut être cause de blessures/dommages aux personnes, animaux ou objets, pour lesquels le fabricant est exempt de toute responsabilité.

4) Il sera possible d'obtenir un fonctionnement électrique sûr de cet appareil seulement lorsqu'un

raccordement correct au réseau électrique aura été effectué conformément aux codes et aux règlements de sécurité locaux, nationaux et internationaux et, de manière particulière, lorsque l'unité aura été mise à la terre. S'assurer que la mise à la terre a été effectuée car elle représente un élément de sécurité fondamental. Faire contrôler le branchement à du personnel qualifié.

5) S'assurer en outre que le système électrique ait une capacité suffisante à la puissance et à la consommation maximales indiquées sur la machine à café espresso.

6) L'utilisation d'adaptateurs, de prises multiples et/ou de rallonges est déconseillée. Si l'on ne peut en éviter l'utilisation, s'assurer qu'ils soient conformes aux codes et aux règlements de sécurité locaux, nationaux et internationaux en veillant à ne pas dépasser les tensions, puissances et absorptions indiquées sur ces adaptateurs et ces rallonges.

7) Cet appareil doit être exclusivement utilisé pour accomplir les fonctions pour lesquelles il a été conçu et fabriqué. Toute autre application est inappropriée et dangereuse.

Le fabricant est exempt de toute responsabilité en cas de dommage dérivant d'un usage impropre et/ou irrationnel.

8) L'utilisation de tout appareil électrique prévoit l'observation de certaines règles fondamentales. En particulier :

- éviter de toucher l'appareil avec les mains ou les pieds mouillés ou humides
- ne pas utiliser l'appareil pieds-nus
- ne pas utiliser de rallonges dans la salle de bains ou les douches
- ne pas tirer sur le cordon d'alimentation pour débrancher l'appareil de la prise de courant
- ne pas exposer l'appareil aux agents atmosphériques
- ne pas permettre aux enfants ou aux personnes inexpertes d'utiliser l'appareil

9) Avant d'effectuer toute opération d'entretien ou de nettoyage (qui ne soient pas des opérations de lavage du groupe), régler l'interrupteur sur "0" et débrancher la machine du réseau électrique en enlevant la fiche de la prise ou en désactivant le disjoncteur. Pour les opérations de nettoyage, suivre uniquement les instructions indiquées dans ce manuel.

10) Si la machine ne fonctionne pas correctement ou arrête de fonctionner, la débrancher du réseau électrique (comme décrit au point précédent). Ne pas essayer de la réparer. Contacter un professionnel agréé et qualifié pour effectuer toute réparation. Toute réparation doit être effectuée par le fabricant ou par un centre agréé en utilisant que des pièces originales. Dans le cas contraire, le bon fonctionnement de la machine pourrait

être compromis.

11) Afin d'éviter de dangereux problèmes de surchauffe, il est recommandé de ne pas enrouler ou plier entièrement le cordon d'alimentation.

12) Ne pas obstruer les grilles d'aspiration et de dissipation et ne pas couvrir le niveau chauffe-tasses avec des chiffons ou autres objets.

13) Le cordon d'alimentation de la machine ne doit pas être remplacé par les utilisateurs. Si le cordon d'alimentation est endommagé, éteindre la machine et la débrancher du réseau électrique en enlevant la fiche de la prise ou en désactivant le disjoncteur correspondant et fermer le circuit de l'eau ; pour remplacer

le cordon d'alimentation, contacter seulement des professionnels qualifiés.

14) Ces instructions sont également disponibles dans un autre format sur un site Web.

<http://techcenter.lamarzocco.com>.

15) Conditions minimales pour la connexion WiFi:

- dispositif Android version 6+ ou iOS version 10+;
- réseau Wireless 2.4 GHz;
- Application La Marzocco disponible dans le play store et l'app store officiels.



Tableau des caractéristiques de l'eau

		Min.	Max.
T.D.S. (Total solides dissous)	ppm	90	150
Dureté totale	ppm	70	100
Total de teneur en fer (Fe ⁺² /Fe ⁺³)	ppm	0	0,02
Chlore libre (Cl ₂)	ppm	0	0,05
Total de teneur en chlore (Cl ₂)	ppm	0	0,1
pH	valeur	6,5	8,5
Alcalinité	ppm	40	80
Chlorure (Cl ⁻)	ppm	non supérieure	30

Note: Tester la qualité de l'eau (la garantie est nulle si les paramètres de l'eau ne se situent pas dans la plage de valeurs indiquée à la section "installation")

3. Description de la Machine

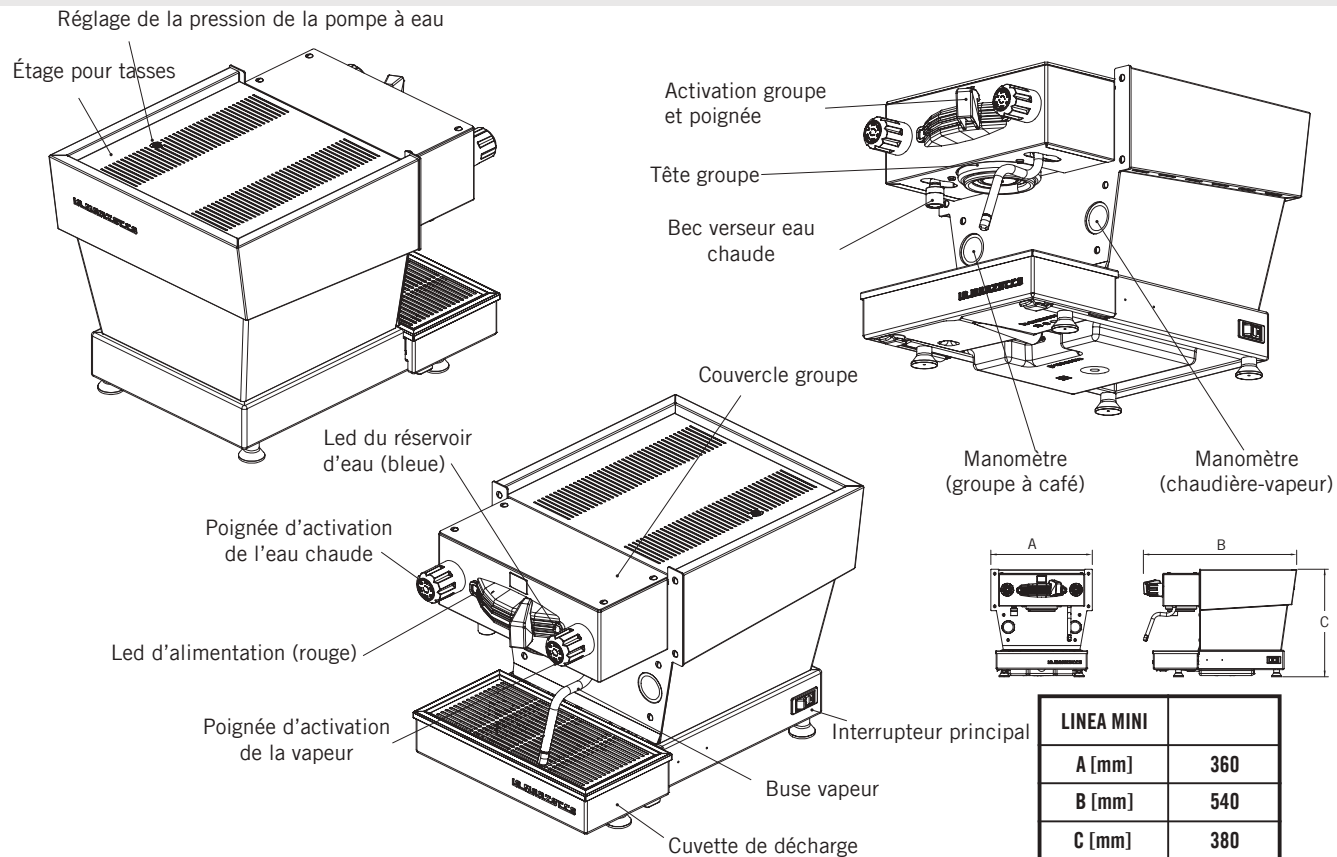


Figure 1 - Description de la Machine

ATTENTION
La machine à café doit être placée en position horizontale sur un comptoir dont la hauteur depuis le sol soit supérieure à 90cm.

ATTENTION
La valve d'expansion peut décharger de l'eau chauffée à 93°C. Une protection adéquate est nécessaire pour manipuler ce composant avant de procéder au réglage.

ATTENTION
Cette machine n'est pas appropriée à un usage externe.

ATTENTION
La machine est prévue pour être raccordée de façon permanente à un câblage fixe. Est obligatoire d'installer un dispositif différentiel résiduel (DDR) avec un courant nominal de fonctionnement résiduel ne dépassant pas 30mA.

ATTENTION
Cette machine est conçue pour être utilisée avec un cycle de fonctionnement de 100 ml de café, une minute de production de vapeur, 100 ml d'eau chaude, 1 minute d'Arrêt.
Une utilisation plus intense pourrait déclencher le dispositif de protection.

Note:

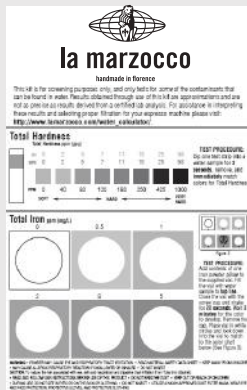
- Température ambiante minimum: 5°C
- Température ambiante maximum: 32°C
- Le niveau de pression acoustique pondéré de la machine est inférieur à 70dBA.
- Cette machine est en conformité avec la norme 61000-3-11, l'impédance de l'interface d'alimentation doit être de $Z_{max} = 0,356 \Omega$.

Installation de la machine à café espresso, linea mini

1) Remplir le réservoir d'eau potable.

Après avoir enlevé l'emballage de la machine à café placée sur une surface résistante. Enlever la cuvette de décharge et faire s'écouler le réservoir de l'eau jusqu'à ce qu'il soit possible d'enlever le couvercle. Enlever le couvercle et remplir le réservoir avec de l'eau potable. Replacer le couvercle et faire glisser le réservoir de l'eau en position de travail et réinsérer la cuvette de décharge. De manière à brancher la machine au réseau de distribution d'eau selon les instructions indiquées dans le Guide d'Installation et conformément à toutes les normes de sécurité locales/nationales du lieu où la machine est installée.

Pour garantir un fonctionnement correct et sur de la machine et pour maintenir un rendement adéquat et une qualité élevée des boissons préparées, il est important que l'eau d'arrivée ait une dureté supérieure à 7° f (70 ppm, 4°d) et inférieure à 10°f (100ppm, 6°d), le pH devrait être compris entre 6,5 et 8,5 et la quantité de chlorure inférieure à 30mg/l. Le respect de ces valeurs permet un fonctionnement optimal de la machine. Si ces paramètres ne sont pas présents, un dispositif de filtrage spécifique devrait être installé qui respectera toujours les normes locales et nationales sur l'eau potable.



Pour pouvoir garantir que l'eau qui entre dans la machine rentre dans les paramètres préétablis, toutes les machines La Marzocco seront équipées d'un kit pour l'analyse de l'eau (voir image) qui comprennent chacun 6 bandes de mesure et une carte contenant le mode d'emploi.

Les paramètres qui pourront être mesurés sont, Dureté Totale, Fer, Chlore libre, Chlore Total, pH & Alcalinité totale, Chlorures.

Le test de l'eau doit être effectué en amont du système de traitement que vous utiliserez, et en aval, afin de vérifier si les paramètres de l'eau qui entre dans la machine à café rentrent dans ceux recommandés par La Marzocco.

Une fois les tests effectués il est possible de contrôler quel système de filtrage soit le plus approprié, en saisissant les paramètres obtenus au moyen du Kit sur notre site "LA MARZOCCO WATER CALCULATOR" (http://www.lamarzocco.com/water_calculator/).

2) Raccorder la machine à café espresso au réseau électrique.

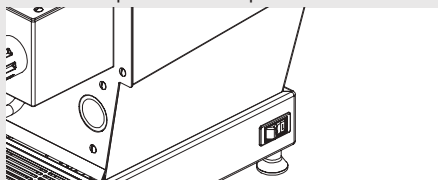
Brancher la machine à café espresso à un circuit électrique qui ait les caractéristiques

appropriées à celles reportées sur la plaque de la machine.

3) Remplir les chaudières d'eau.

Pour remplir correctement les chaudières, effectuer les opérations suivantes:

Chaudière à vapeur: régler l'interrupteur principal sur "1", le système du niveau de la chaudière à vapeur automatique se mettra en marche activant l'électrovanne de remplissage automatique et la pompe à eau. Cette dernière remplira la chaudière à vapeur à un niveau prédéterminé et s'arrêtera quand il sera plein.



NOTE: Il se pourrait qu'il soit nécessaire d'ajouter de l'eau dans le réservoir pendant ce procédé.

Groupe café: L'eau s'écoule directement dans la chaudière café dès que la pompe à eau est activée. Lorsque la linea mini est allumée, la pompe à eau s'active permettant le remplissage des deux chaudières.

4) Vérifier le remplissage des chaudières.

L'installation est à présent achevée et la machine à café espresso devrait atteindre les températures de fonctionnement.

Brassage après la première installation

Dès que les premières procédures d'installation sont terminées, avant de procéder au brassage du café, de l'eau chaude et de la vapeur, effectuer les opérations suivantes :

- Engager le porte-filtre en l'insérant dans la tête du groupe et tourner la poignée de la gauche vers la droite. Dès que le porte-filtre est correctement en place, vous pouvez déplacer le panneau vers la gauche pour activer l'écoulement de l'eau à travers le porte-filtre. Brasser l'eau à travers le groupe pendant au moins deux minutes.

- En veillant à ne pas se brûler, tourner chaque buse à vapeur pendant au moins une minute.
- Tourner la valve de l'eau chaude pendant le temps qu'il faudra pour permettre de brasser au moins 1 litre d'eau.

5) En attendant que la machine à café espresso se réchauffe et atteigne la température de fonctionnement.

Pendant le chauffage, il se pourrait que l'aiguille du manomètre relative au groupe café atteigne 12 bar. Ceci pourrait se vérifier chaque fois que l'élément de chauffe est en condition "on". Si la pression dépasse 12 bar, il sera nécessaire de régler la valve d'expansion afin que la pression ne dépasse jamais 12 bar.

Dans des conditions de fonctionnement optimales, la pression du groupe café peut se trouver à n'importe quel point entre 0-12 bar. Pendant les opérations de distribution,

la pression devrait être d'environ 9 bar.
La machine est prête à distribuer l'eau quand la led d'alimentation (rouge) est sur ON.
Quand la machine chauffe, la led d'alimentation (rouge) clignote.

NOTE: Lorsque la chaudière à vapeur atteint la température de fonctionnement, il est possible que l'on entende de l'air de la vapeur sortir de la chaudière. Il s'agit d'un bruit normal. Lorsque l'eau bout, l'air de la chaudière est remplacée par de la vapeur et sort par la soupape de décompression. Lorsque la chaudière se rapproche de la température de fonctionnement, la soupape de décompression se ferme et la vapeur n'arrive plus à sortir. Ce procédé permet à l'air dans la chaudière à vapeur de sortir et d'être remplacé par de la vapeur d'eau.

6) Plaque de la machine:

Plaque CE de la machine



Plaque ETL de la machine



Plaque KC de la machine



7) Certification FCC (U.S.A. et CANADA uniquement)

Cet équipement a été testé et déclaré conforme aux limites appliquées aux appareils numériques de classe B, selon le point 15 des règles FCC. Ces limites sont conçues pour fournir une protection raisonnable contre les interférences nuisibles dans une installation résidentielle. Cet équipement produit, emploie et émet de l'énergie radioélectrique. S'il n'est pas installé et employé conformément aux instructions, il pourrait provoquer des interférences

nuisibles aux communications radio. Cependant, il n'existe aucune garantie que les interférences ne se manifestent dans une installation particulière. Si cet équipement provoque des interférences nuisibles à la réception radio ou télévisée, qui peuvent être déclenchées par l'allumage et la mise hors tension de l'équipement, nous encourageons l'utilisateur à essayer de corriger ces interférences en appliquant une ou plusieurs des mesures suivantes :

- Réorienter ou déplacer l'antenne de réception.
- Augmenter l'écart entre l'équipement et le récepteur.
- Connecter l'équipement à une sortie sur un circuit différent de celui où est connecté le récepteur.

- Consulter le concessionnaire ou un technicien radio/TV expérimenté pour recevoir de l'aide.

La machine espresso est équipée d'un module radio dédié, conforme aux exigences de certification FCC et ISED.

Des changements ou des modifications non expressément approuvés par la partie responsable de la conformité pourraient annuler le droit accordé à l'utilisateur d'utiliser l'équipement

FCC ID: 2AZUJ-SYS-C60-LMC1
IC ID: 27093-SYSC60LMC1



8) Réglage de la pression de la pompe à eau

La pompe à eau est réglée en usine à une pression de 9 bar. S'il s'avère nécessaire de modifier la pression, recourir à la procédure suivante:

1. Repérer la vis de réglage de la pompe à eau et desserrer l'écrou qui la bloque.

2. Régler la pression de la pompe à eau au niveau désiré.

3. Tourner dans le sens des aiguilles d'une montre pour augmenter la pression et dans le sens contraire des aiguilles d'une montre pour la baisser.

ATTENTION
La pression de la pompe à eau doit être réglée lorsque la machine est en marche et que du café se trouve dans le porte-filtre. Réduire cette opération au strict minimum.

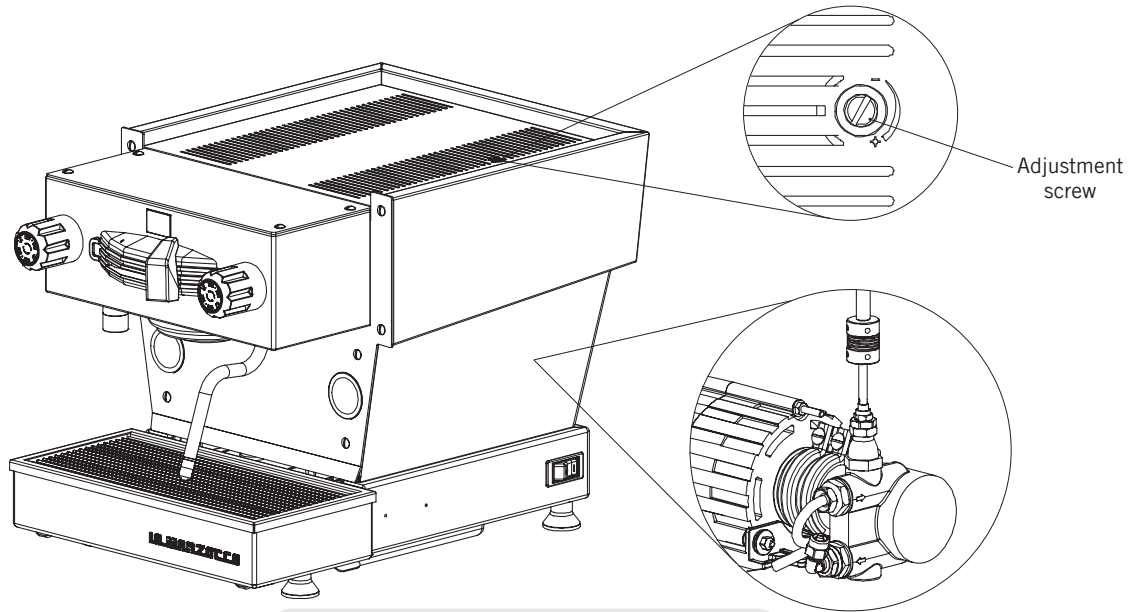


Figure 2 - Réglage de la Pression de la Pompe à Eau

ATTENTION

Le groupe café et la chaudière vapeur contiennent de l'eau à une température élevée. Une température de l'eau supérieure à 52°C peut causer de graves brûlures instantanées ou la mort par ébullition (groupe café 93,3°C - chaudière vapeur 127°C)

ATTENTION

La machine ne doit pas être plongée dans l'eau, ni éclaboussée afin de la nettoyer. Pour les opérations de nettoyage, prière de suivre très attentivement les instructions reportées ci-dessous.

ATTENTION

Cette machine est conçue uniquement pour la préparation de café et de boissons chaudes.

ATTENTION

Pour éviter tout risque de blessure, n'ouvrez pas la chambre d'infusion pendant le processus d'infusion.

1. Installer les porte-filtre.

Installer le porte-filtre en l'insérant dans la tête du groupe et tourner la poignée de la gauche vers la droite. Dès que le porte-filtre est correctement en place, vous pouvez déplacer la poignée du panneau de droite à gauche pour activer l'écoulement de l'eau à travers le porte-filtre. Il est important que le porte-filtre atteigne la température appropriée au fonctionnement avant d'introduire le café.

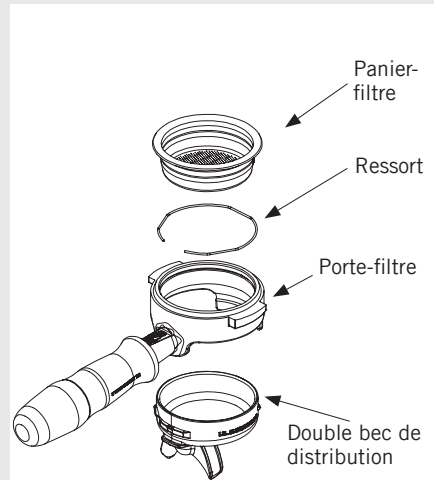


Figure 3 - Porte-filtre

Faire s'écouler l'eau à travers le porte-filtre vide pendant quelques secondes seulement avant de commencer le procédé de distribution pour préchauffer le porte-filtre.

NOTE: Il est important de laisser le porte-filtre installé dans la machine à café espresso lorsqu'il n'est pas utilisé. Le porte-filtre doit rester chaud afin que le procédé de distribution du café ait lieu de manière correcte.

2. Distribution du café: Il est à présent possible d'enlever le porte-filtre pour préparer les boissons à base de café. Mettre du café dans le porte-filtre en utilisant un filtre une dose ou deux doses. Presser le café moulu à l'aide du tasseur fourni et installer le porte-filtre sur la linea mini. Déplacer la poignée du panneau de commande de droite à gauche pour commencer la distribution (voir Fig. 1 page 8).

Avec La Marzocco App, il est possible de régler la température de l'eau de distribution du café.

Il est recommandé d'attendre quelques secondes que la température voulue soit atteinte.

Si vous souhaitez baisser la température, il est recommandé de faire couler de l'eau du groupe pendant quelques secondes pour accélérer le processus.

NOTE: Certains utilisateurs pensent qu'il est important de faire sortir de l'eau du groupe avant d'installer le porte-filtre pour éliminer tous les résidus de café et d'autres particules de la tête du groupe. Certains répètent l'opération après la distribution de chaque boisson pour la même raison. Effectuer différents essais afin de trouver la meilleure procédure de faire votre café. Il existe plusieurs méthodes pour la distribution du café espresso. Il est possible de trouver des instructions sur les différentes méthodes sur les sites internet, des blogs et des forums.

3. Distribution vapeur.

Afin de permettre à l'eau de condensation dans la buse d'être distribuée, TOUJOURS faire sortir un peu de vapeur en tournant la valve avant d'immerger la buse vapeur dans le pichet du liquide à réchauffer.

Immerger la buse vapeur dans le liquide à réchauffer. Abaisser le bouton de vapeur pour activer le processus de chauffage.

La soupape de la vapeur a un débit variable. La vapeur transférera de la chaleur au liquide en faisant augmenter sa température. Veiller à ce que le liquide ne déborde pas afin d'éviter de graves brûlures.

Réchauffer le lait pour le cappuccino et d'autres boissons est très facile mais pour le faire de façon correcte, il faut prendre quelques précautions. Effectuer différents essais jusqu'à trouver la juste méthode pour monter le lait. Il est en outre possible de trouver sur internet de nombreuses informations utiles concernant l'ébullition du lait.

NOTE: Il est important d'avoir un volume de liquide suffisant dans le pichet d'ébullition. Si vous voulez réchauffer de petites quantités de lait, il sera donc nécessaire d'utiliser un pichet plus petit. Si vous voulez réchauffer de plus grandes quantités de lait, il sera donc nécessaire d'utiliser un pichet plus grand.

Mettre une petite quantité de lait dans un pichet trop grand pourrait faire gicler le liquide hors du pichet. Un bon critère à suivre est de remplir le pichet à moitié.

NOTE: Pour éviter que le liquide soit aspiré à l'intérieur de la chaudière vapeur, il est conseillé de purger le dispositif de vapeur après avoir réchauffé tout liquide.

Purger le dispositif en ouvrant la soupape de la vapeur pendant quelques secondes afin de permettre à la vapeur de sortir de l'extrémité de la buse vapeur.

4. Distribution d'eau chaude.

Vous pouvez distribuer de l'eau chaude en utilisant la buse à eau chaude. Pour distribuer de l'eau chaude tourner le bouton gauche (voir Fig.4 page 14).

Ce bouton règle la sortie de l'eau chaude.

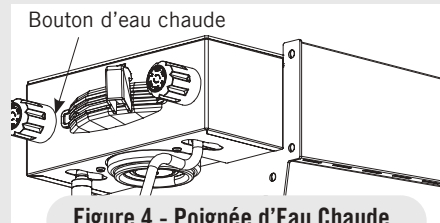


Figure 4 - Poignée d'Eau Chaude

5. Connecter/déconnecter la machine à café au réseau WiFi.

Pour la première connexion à votre réseau WiFi, il est nécessaire de passer par l'application.

Pour tous les démarrages successifs, la machine à café se connectera automatiquement au réseau WiFi.

En revanche, pour déconnecter la machine à café du réseau WiFi, il faut enlever le réservoir d'eau, s'assurer que le voyant bleu clignote, et actionner 5 fois consécutives le levier paddle dans les 10 secondes.

La machine est alors déconnectée.

Pour restaurer la connexion de la machine, il suffit de la rallumer par l'interrupteur.

6. Activation de la fonction de rinçage.

La fonction de rinçage est activée à l'aide du levier illustré à la figure 5, tourner celui-ci de la position de distribution à la position de désactivation en l'espace d'une seconde. La machine distribue de l'eau chaude pendant un certain nombre de secondes (le réglage par défaut est de 5 secondes mais peut être modifié à partir de l'application).

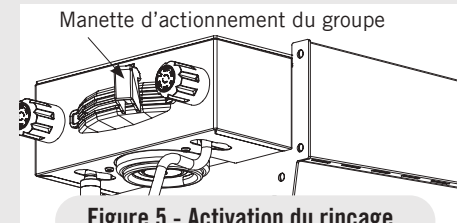


Figure 5 - Activation du rinçage

6. Caractéristiques Principales

ATTENTION

Si les instructions mentionnées ci-dessus ne sont pas respectées, le fabricant ne peut être tenu responsable des dommages à personnes et choses.

1. Distribution d'eau chaude.

Il est possible d'obtenir de l'eau chaude en se servant de la Buse d'Eau Chaude sur le côté gauche de la machine. Cela est possible en tournant le bouton gauche (voir Fig.6 page 14).

2. Informations à caractère général pour la préparation du café.

Les porte-filtres doivent rester chauds puisqu'ils se trouvent dans la partie la plus basse du groupe et qu'ils sont partiellement isolés de celui-ci par la garniture en caoutchouc. Pour ce faire, laisser les porte-filtres insérés lorsque la machine n'est pas utilisée. Les porte-filtres peuvent en outre être réchauffés en pressant l'un des boutons pour la distribution qui active l'écoulement d'eau chaude à travers le porte-filtre et puis en l'éteignant.

3. Mouture du café.

La granulométrie du café, outre la qualité du café utilisé, est extrêmement importante pour la préparation d'un bon café. La mouture idéale peut être déterminée en effectuant divers essais en utilisant la quantité de café que vous utiliseriez normalement pour chaque tasse (nous conseillons au moins 6 g). La meilleure mouture est celle qui permet au café de sortir du filtre ni trop lentement, goutte à goutte, ni trop rapidement. Un critère général est qu'un double dose devrait faire sortir approximativement 60 ml de café espresso en 25 secondes environ. Ce temps peut être réglé en fonction de la grosseur du grain.

NOTE

Si la machine n'a pas été utilisée pendant plus de 8 heures ou, dans tous les cas, après de longues périodes d'arrêt, il est nécessaire, pour utiliser la machine à son potentiel maximum, d'effectuer certains cycles de nettoyage avant de distribuer les boissons comme indiqué ci-après :

- Groupe: avec les porte-filtre insérés dans les groupe, faire s'écouler l'eau à travers ceux-ci pendant au moins deux minutes
- En veillant à ne pas se brûler, tourner chaque buse à vapeur pendant au moins une minute.

- Tourner la valve de l'eau chaude pendant le temps qu'il faudra pour permettre de brasser 1 litre d'eau.
- En cas d'utilisation de la machine avec le réservoir à eau, vidanger l'eau dans le réservoir tous les jours.

Si la machine ne sera pas utilisée pendant de longues périodes de temps, il est conseillé de suivre les indications de sécurité suivantes :

- Débrancher la machine du réseau hydrique ou interrompre le raccordement de l'eau au moyen d'un bouchon.
- Débrancher la machine du réseau électrique.

7. Entretien Préventif et Nettoyage

ATTENTION

Il ne faut pas utiliser de jets d'eau pour nettoyer la machine, ni la positionner là où des jets d'eau sont utilisés.

ATTENTION

Ne pas enlever le porte-filtre pendant que le groupe correspondant distribue des liquides chauds. Le groupe café contient de l'eau à une température élevée. Une température de l'eau supérieure à 52°C peut causer instantanément de graves brûlures ou la mort par ébullition.

ATTENTION

La machine ne doit pas être plongée dans l'eau, ni éclaboussée afin de la nettoyer. Pour les opérations de nettoyage, veuillez suivre les instructions suivantes très attentivement.

ATTENTION

La valve d'expansion peut décharger de l'eau chauffée à 93°C. Une protection adéquate est nécessaire pour manipuler ce composant avant de procéder au réglage.

ATTENTION

Cette machine est conçue uniquement pour la préparation de café et de boissons chaudes.

Nettoyage (Quotidien)

1. Nettoyage de la douchette de distribution et de la vis du distributeur.

Pendant l'opération de vidange (successive à la distribution du café), de petites quantités de café pourraient s'accumuler et obstruer, même partiellement, la douchette de distribution. Éteindre la machine et retirer la douchette de distribution en dévissant la vis du diffuseur. Rincer dans le liquide détergent en suivant les instructions du fabricant du produit détergent. Rincer entièrement à l'eau claire puro caffè. Installer et faire couler l'eau chaude plusieurs fois à travers la tête du groupe avec la douchette installée.

2. Nettoyage du circuit de distribution.

Insérer le filtre aveugle dans le porte-filtre et mettre la quantité correcte de détergent pour machine espresso (en suivant les instructions du produit) dans le filtre, enclencher le porte-filtre dans le groupe café.

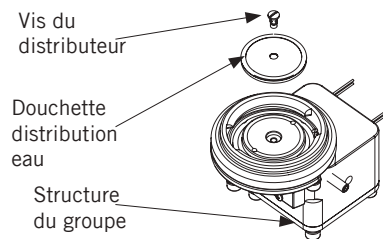


Figure 5 - Groupe Café

- Actionner le levier de distribution du groupe mentionné, comme si l'on voulait préparer une tasse de café normale. Interrompre l'écoulement d'eau après environ 15-20 secondes.
- Mettre en marche et arrêter le groupe plusieurs fois jusqu'à ce que l'on remarque que l'eau distribuée est claire au lieu d'être savonneuse lorsqu'on enlève le porte-filtre. Ne pas enlever le porte-filtre lorsque le groupe est, de fait, en train de distribuer de l'eau.
- Rincer le groupe en utilisant un filtre

normal dans le porte-filtre, en faisant couler de l'eau chaude à travers celui-ci à plusieurs reprises.

3. Nettoyage du corps.

Passer un chiffon doux non abrasif sur les pièces en acier inoxydable en direction des parties en verre s'il y en a. Ne pas utiliser d'alcool ou de solvants sur les parties peintes, marquées ou en plastique afin de ne pas les endommager. Nettoyer les panneaux latéraux à l'aide d'un chiffon doux. Nettoyer uniquement à l'aide d'un chiffon doux humide ou éventuellement imbibé d'eau chaude et de savon doux.

4. Nettoyage des buses à vapeur.

Les buses à vapeur doivent être nettoyées tout de suite après avoir été utilisées avec un chiffon humide et en faisant sortir un petit jet de vapeur afin qu'aucun dépôt ne se forme à l'intérieur de la buse, ce qui pourrait altérer le goût des boissons suivantes à chauffer. Si des résidus de lait sont présents sur la buse vapeur, tremper la pointe dans un récipient d'eau chaude et il sera ensuite possible de passer un chiffon sur la partie propre. Répéter l'opération si les résidus persistent.

5. Nettoyage des buses à eau chaude.

Les buses à eau chaude doivent être nettoyées périodiquement avec un chiffon humide imbibé d'eau chaude et/ou de savon doux.

NOTE: Ce programme de nettoyage est prévu en cas d'utilisation modérée de la machine (5-20 tasses par jour). Si l'utilisation de la machine est inférieure, ce programme peut être adapté en conséquence.

6. Nettoyage du réservoir d'eau et de la cuvette de décharge:

Le réservoir d'eau doit être nettoyé périodiquement pour s'assurer qu'il n'y ait pas de résidus sur les parois internes. Tout d'abord, ôter le réservoir d'eau de la machine. Débrancher le flexible de l'eau en plastique. Laver chaque pièce à la main avec de l'eau contenant du savon doux.

7. Drainage chaudière vapeur.

Annuellement on recommande de vider complètement la chaudière vapeur moyennant le robinet de vidange prévu à cet effet situé latéralement ou sous la chaudière.

Fréquence de nettoyage

Quotidiennement

- Porte-filtre
- Filtre
- Douchette de distribution
- Vis du distributeur
- Buse vapeur (juste après l'utilisation)
- Égouttoir

Hebdomadairement

- Réservoir d'Eau
- Cuvette de Décharge

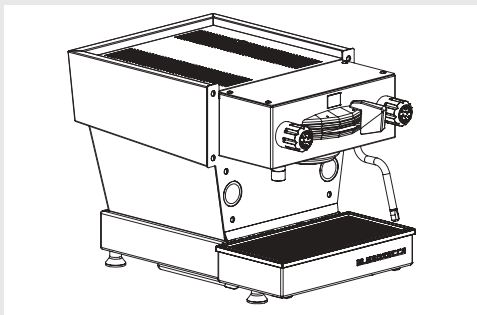
Mensuellement

- Nettoyage de la buse à eau chaude

Note: Pour plus de détails sur le nettoyage consulter le guide de démarrage rapide sur le site web.

8. Guide d'Installation

1. Déballer la Machine Espresso	page 19	7. Écran pression chaudière vapeur	page 23
2. Remplir d'eau (remplissage initial)	page 19	8 . Distribution espresso	page 24
3. Alignement	page 20	9. Vérifier fonctionnement pressions chaudière	page 24
4. Brancher au réseau électrique	page 20	10. Température chaudière café	page 25
5. Activer l'alimentation	page 21	11. Température chaudière vapeur	page 25
6. Surveiller pression groupe café	page 22		

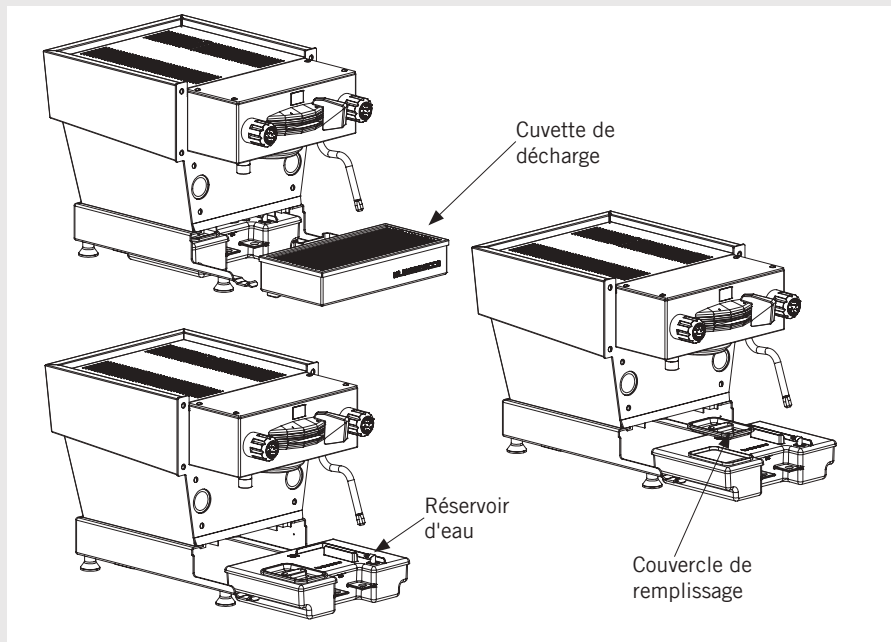


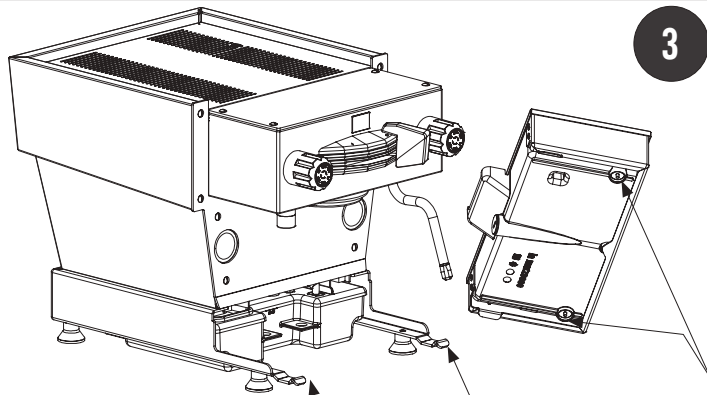
1 Déballez la machine espresso et placez-la sur une surface nivelée. S'assurer que tous les accessoires sont inclus dans l'envoi. Vérifier visuellement si la machine espresso est endommagée.

ATTENTION
La machine à café doit être placée en position horizontale sur un comptoir dont la hauteur depuis le sol soit supérieure à 90cm.

2 Enlever/Ouvrir le couvercle de remplissage et remplir le réservoir avec de l'eau filtrée. Glisser et remettre en place le réservoir et remplacer la cuvette de décharge. S'assurer que la cuvette de décharge est complètement insérée. Le réservoir d'eau doit être en contact avec les indicateurs de niveau à l'arrière.

N.B.: La linea mini est configurée pour fonctionner avec le réservoir d'eau.





Trous d'alignement

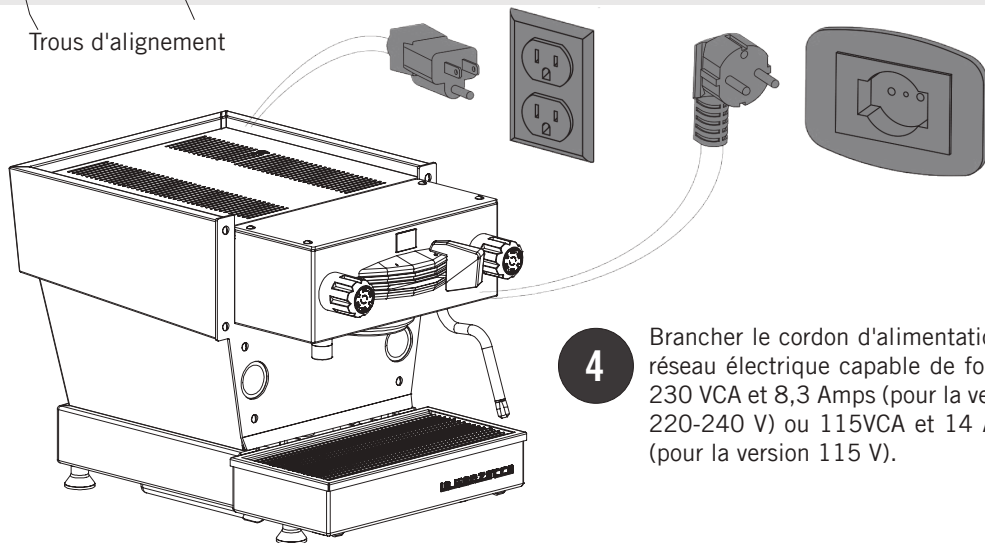
3

REMARQUE IMPORTANTE :

La cuvette de vidange doit être correctement installée pour que la machine puisse bien fonctionner. La cuvette de drainage est dotée de deux aimants qui correspondent aux deux rainures d'alignement à la base de la linea mini. Lors de l'installation de la cuvette de décharge, s'assurer que les aimants d'alignement soient insérées dans les rainures d'alignement. Il peut être nécessaire de pousser légèrement sur la partie avant de la cuvette de décharge pour obtenir un alignement correct.

Quand la machine est sur ON et que le réservoir d'eau est plein, la led du réservoir d'eau (bleue) est sur ON ; si le réservoir d'eau est vide, la led du réservoir d'eau (bleue) clignote.

Aimants et rainures d'alignement

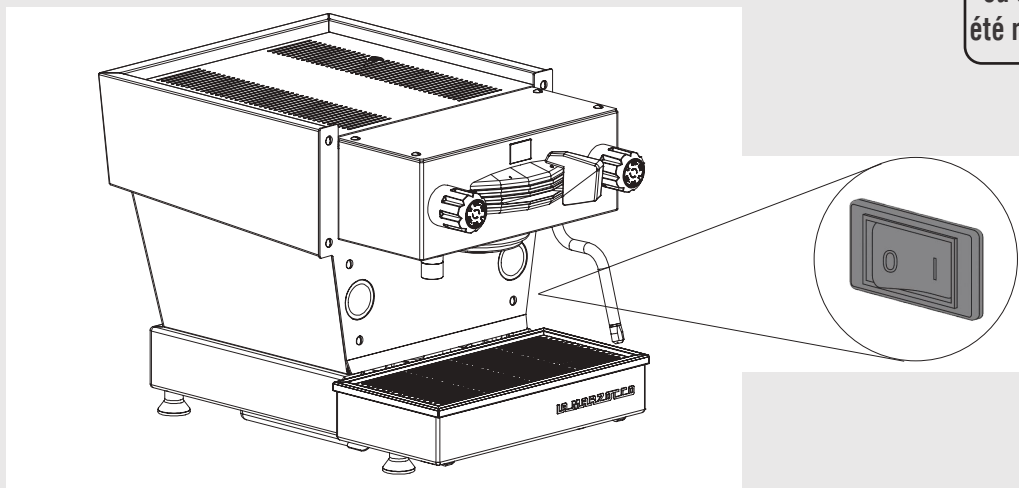


4

Brancher le cordon d'alimentation au réseau électrique capable de fournir: 230 VCA et 8,3 Amps (pour la version 220-240 V) ou 115VCA et 14 Amps (pour la version 115 V).

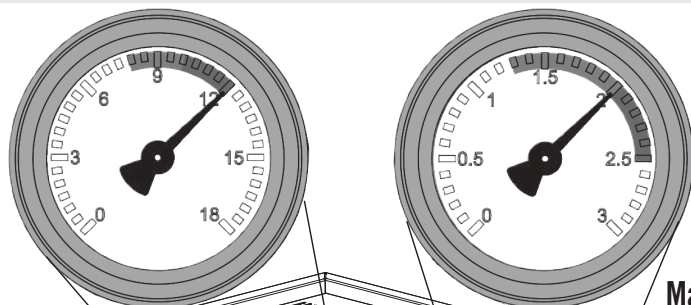
5

Activer l'alimentation électrique en appuyant sur l'interrupteur principal. L'interrupteur principal peut être localisé à l'arrière droit de la machine.



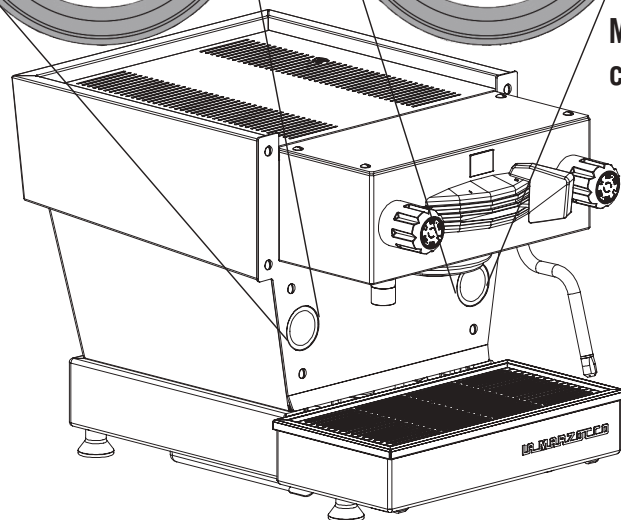
ATTENTION

Le constructeur décline toute responsabilité en cas d'événements aboutissant à des poursuites en responsabilité civile si la mise à la terre n'a pas été effectuée conformément aux réglementations ou aux codes de l'électricité locaux, nationaux, et internationaux en vigueur, ou si d'autres pièces électriques ont été raccordées de manière incorrecte.



**Manomètre
groupe café**

**Manomètre
chaudière vapeur**

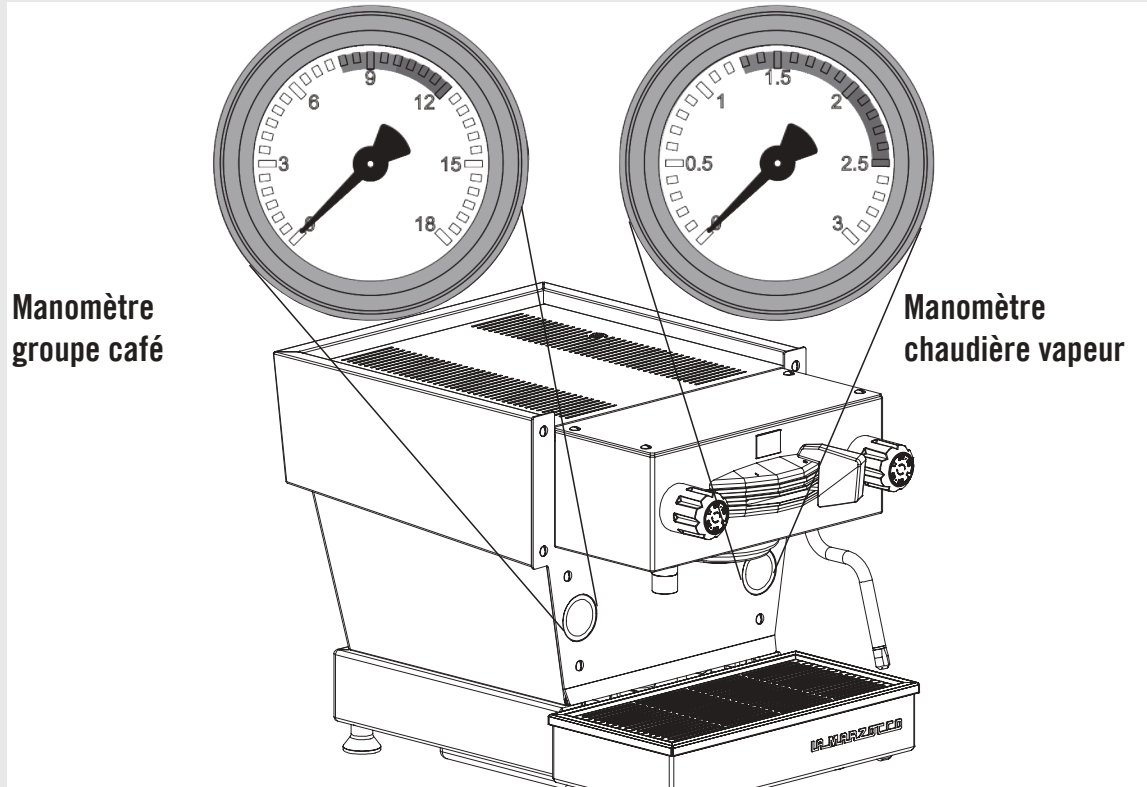


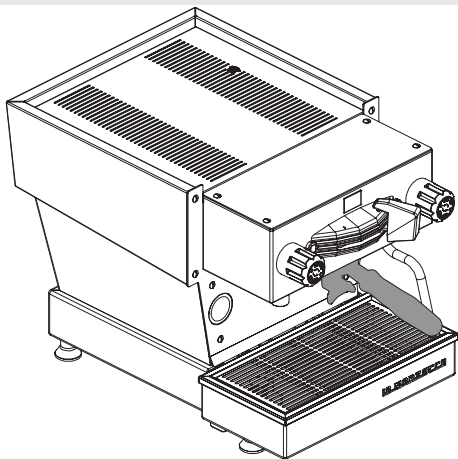
6

Il sera ensuite nécessaire de vérifier la valve d'expansion. Le groupe café chauffant et atteignant la température de service, la pression augmentera dans le groupe café. Une soupape d'expansion est placée derrière le plateau de drainage qui permet à l'eau de sortir pendant cette opération afin de limiter la pression maximum dans le groupe café à 12 bars. Vérifier le manomètre du groupe café pendant le processus de chauffe. L'aiguille devrait s'approcher de 12 bar et s'arrêter. Si le manomètre n'atteint pas 12 bar ou s'il dépasse 12 bar, il faudra alors régler la soupape d'expansion. Veuillez suivre l'opération suivante afin de régler correctement la soupape d'expansion.

7

Il est également possible de contrôler le processus de chauffage de la chaudière en regardant le Manomètre de la Chaudière Vapeur. La chaudière vapeur est réglée en usine à une pression d'environ 2,0. Dès que le manomètre atteint ce point, la chauffe s'arrêtera.

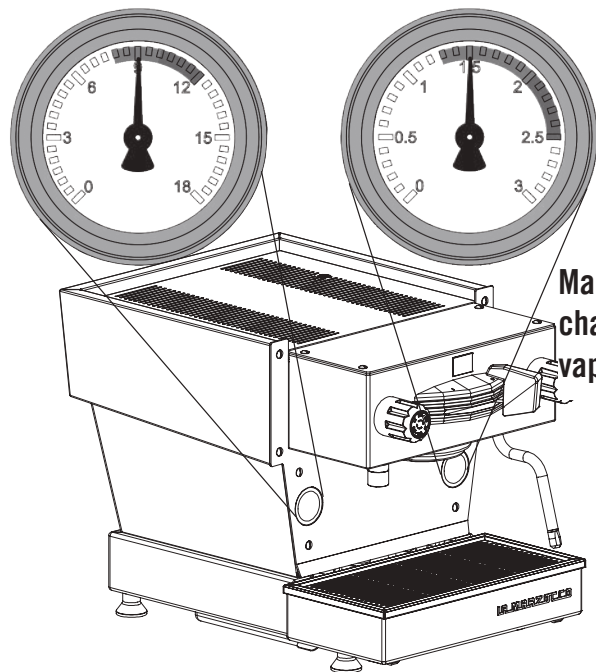




8

Quand la machine espresso est prête, (led ON rouge) mettre le café moulu dans le porte-filtre et activer la distribution.

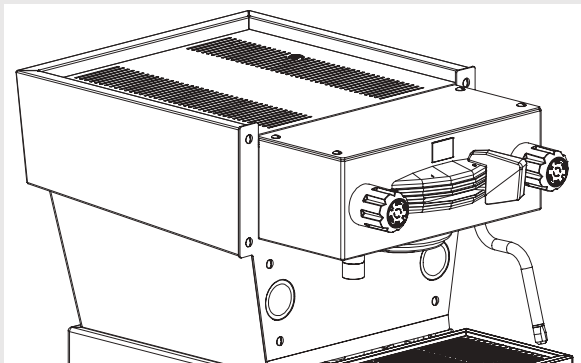
**Manomètre
groupe café**



**Manomètre
chaudière
vapeur**

9

Pendant la distribution, la pression du groupe café devrait être située entre 8-10 bar. La pression de la chaudière vapeur devrait être réglée sur 2 bar mais peut fonctionner à n'importe quel réglage entre 1,3 bar et 2 bar.



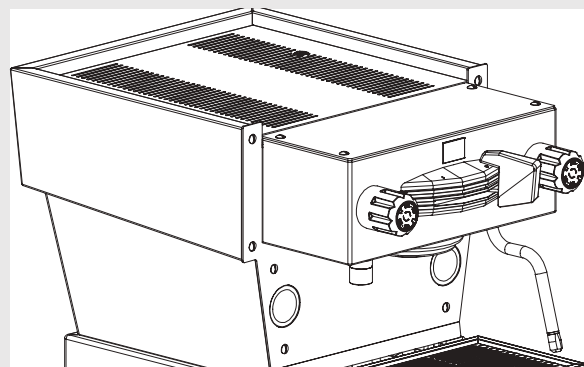
10

La température de l'eau distribuée est mesurée au point le plus critique dans le groupe café où la fluctuation de la température est la plus grande.

Ce paramètre est réglé en usine à la température nominale prééglée.

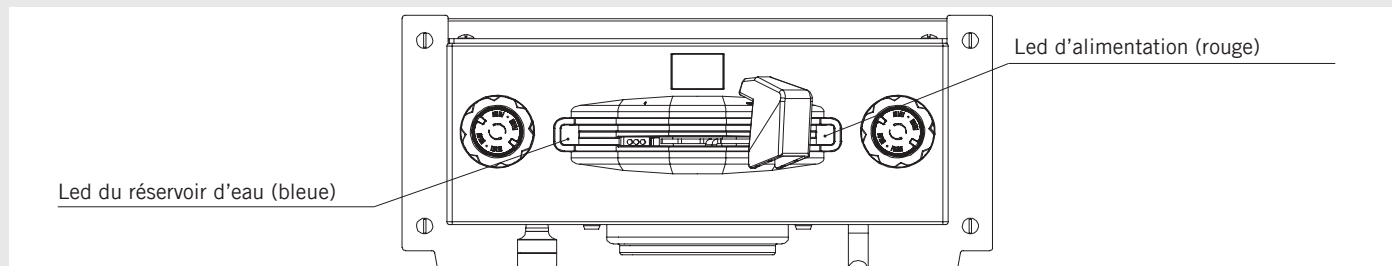
11

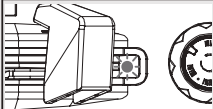
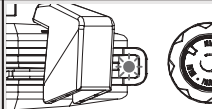
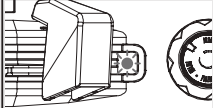
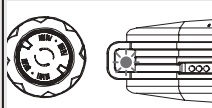
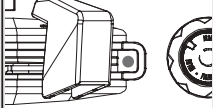
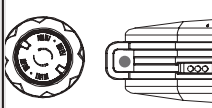
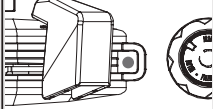
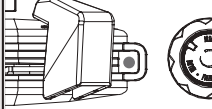
Avec La Marzocco App, il est possible de régler la pression de la chaudière vapeur.



FR

État des voyants lumineux



Status	Message	Status	Message
	Voyant rouge qui clignote 0,5 seconde allumé, 0,5 seconde éteint: - Machine en chauffe.		Voyant rouge qui clignote 5,7 secondes éteint, 0,3 seconde allumé et voyant bleu éteint: - Machine en stand-by.
	Voyant rouge qui clignote 3 secondes allumé, 1 seconde éteint: - Machine en température et déconnectée du réseau WiFi.		Voyant bleu qui clignote 0,5 seconde allumé, 0,5 seconde éteint: - Faible niveau d'eau ou absence du réservoir.
	Voyant rouge allumé: - Machine en température et connectée au réseau WiFi.		Voyant bleu allumé : - Eau présente dans le réservoir.
	Voyant lumineux rouge et bleu allumés, lumières barista allumées : - La machine distribue la boisson, la minuterie de dosage commence à compter le temps et les lumières barista s'éteignent 3 secondes après la fin de la distribution.		Clignotement rapide du voyant lumineux rouge : - La machine met à jour le micrologiciel et la minuterie de dosage affiche le progrès en pourcentage.



**bonjour,
Cette machine à
café peut être
connectée.**

En savoir plus



